



NF100MSH

NF100MSH₃

PARTS CATALOGUE

1

FOREWORD INDEX

1

ENGINE GROUP

2

FRAME GROUP

3

PART NUMBER INDEX

4

PART NAME INDEX

5

Instruction for use of parts catalogue

- **This parts catalogue was prepared based on the latest information available as of June 20, 2002.**
- See the parts catalogue news for any revision that is made after June 20, 2002.
- **Always specify the part number when ordering a part.**
 - Check the model, type, serial numbers, color, maker, and the size as needed before ordering a part.
 - Note that the illustrations (part drawings) can differ from the actual parts in shape. They are given just to help you to refer to the parts.
- **When modifications or additions to this parts catalogue are made, a revised edition will be issued at an appropriate time, with successively progressing revision numbers on the cover. We recommend obtaining such revisions in order to keep your parts catalogue up-to-date at all times. To check whether a parts catalogue revision has been issued, please contact your Honda distributor.**

Initial version issue date
 June 20, 2002
Honda Motor Co., Ltd.

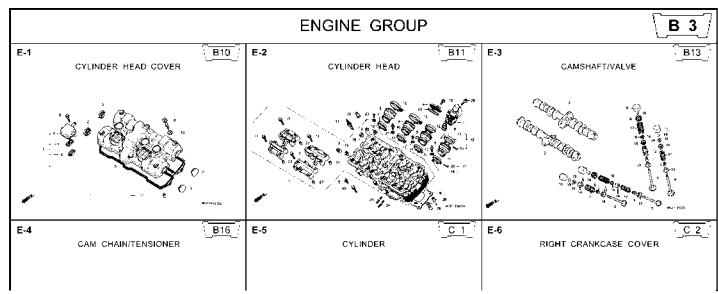
CONTENTS

	Page	Address No.	
● How to refer to the part information	2	B 2	1
● Part catalogue structure	3	B 3	
● When the parts were revised	4	B 4	
● Abbreviations used in the parts catalogue.....	4	B 4	
● Part block and serial number check	5	B 5	
● Color label attachment position check.....	5	B 5	
● Models, parts catalogue codes and applicable serial numbers	6	B 6	
● Color label	7	B 7	
● Color chart	8	B 8	
● Fuel hose, general purpose hoses and vinyl hose.....	10	B10	
● How to use the flat rate time (F.R.T.)	14	B14	
● Illustrated index	17	C 1	
● ENGINE GROUP.....	24	D 1	2
● FRAME GROUP.....	45	F 1	3
● PART NO. INDEX.....	86	I 1	4
● PART NAME INDEX.....	90	J 1	5



How to refer to the part information

A Reference with "Illustrated index"

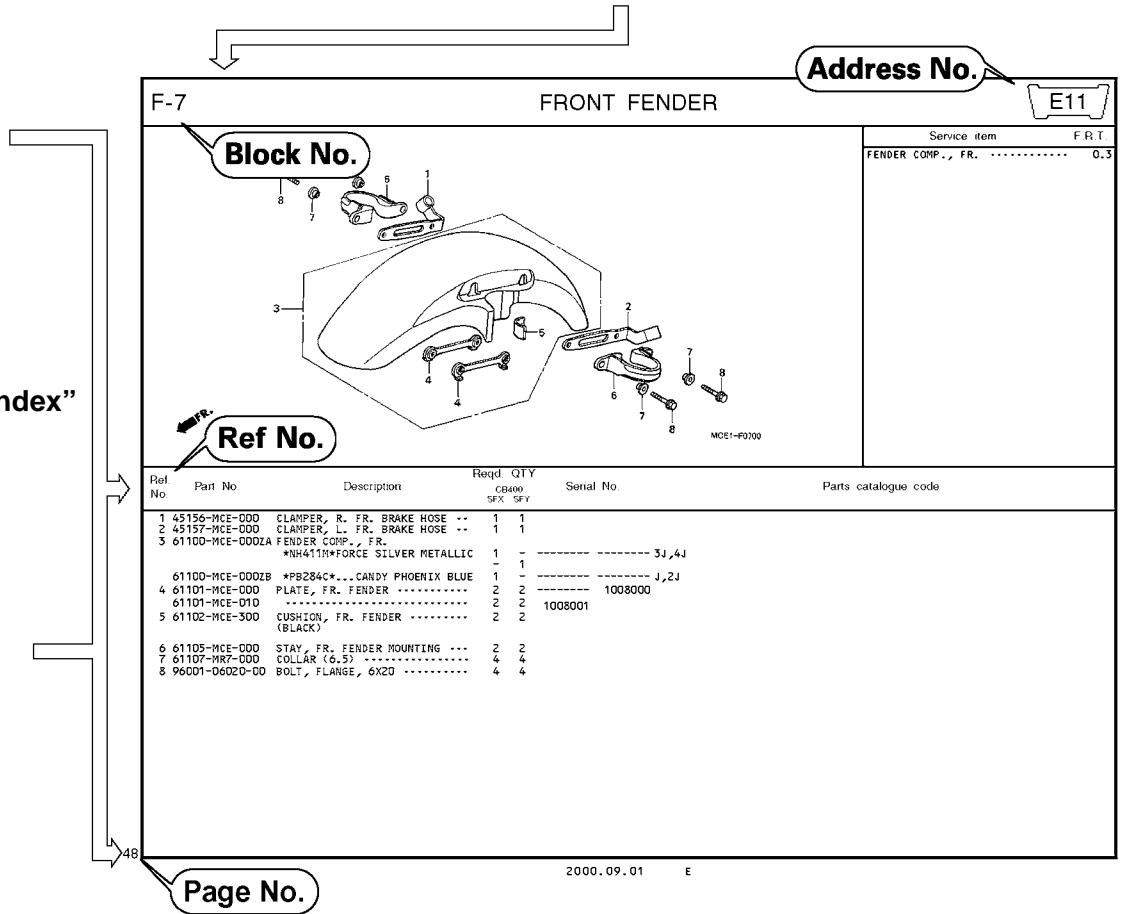


B Reference with "Part number index"

PART NO. INDEX								
Part Number	Address	Page	Ref.	Part Number	Address	Page	Ref.	F
04000				13323-MY9-751	C12	28	10	14921
04911-MCE-000	C10	26	1	13324-MY9-751	C12	28	10	14931
				13325-MY9-751	C12	28	10	14933
				13327-MY9-751	C12	28	10	14935
06000				14000				14935
06405-MY5-P00	F13	67	3	14100-MCE-000	B13	13	2	14933
06405-MY5-P10	F13	67	3	14200-MCE-000	B13	13	3	14933
06410-MY9-860	F2	56	1	14321-MCE-000	B16	16	2	14935
06435-MCE-006	F1	55	1	14401-MCE-003	B16	16	3	14933
06451-165-405	E13	51	2	14510-MBE-000	B16	16	4	14941
06451-443-405	F1	55	2	14520-MY9-691	B16	16	5	14944
06451-MA7-405	E13	51	1	14524-MY9-690	B16	16	6	14944
06455-MCE-006	E13	51	3	14546-MCE-000	B16	16	7	14944
				14620-MY9-691	B16	16	8	14944
11000				14711-MCE-000	B13	13	4	14944
11210-MCE-000	C9	25	1	14712-MCE-000	B13	13	5	14944
11330-MCE-305	C2	18	1	14721-MCE-000	B13	13	6	14944
11333-KT8-000	C6	22	1	14722-MCE-000	B13	13	7	14944
11335-MCE-000	C2	18	2	14730-MCE-000	B13	13	8	14944
11360-MCE-000	C7	23	1	14731-MCE-000	B13	13	9	14944
11365-MCE-000	C7	23	2	14731-MY9-751	B13	13	10	14945
11396-MY9-000	C2	18	3	14751-KY2-000	B13	13	11	14945
11631-MCE-000	C5	21	1	14751-MCE-000	B13	13	12	14945
11691-MY9-000	C5	21	2	14761-MCE-000	B13	13	13	14945

C Reference with "Part name index"

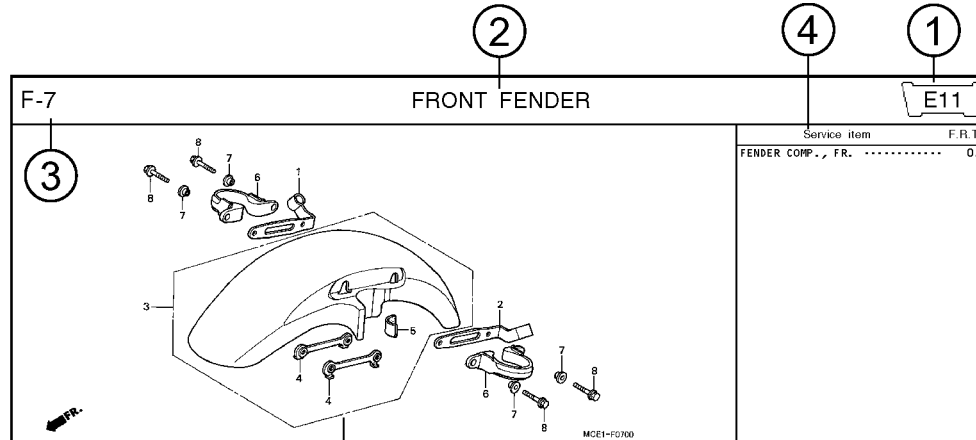
PART NAME INDEX								
Part name	Address	Page	Ref.	Part name	Address	Page	Ref.	Pc
[A]				BOLT , CHANG I				
ADJUSTER , CHAIN	F13	67	5	BOLT , CLUTC H				
ARM COMP , GEAR CHANGE	F10	64		BOLT , CONNECT				
ARM , L MAIN STEP	F11	65	8	BOLT , DISK 6				
ARM , L PILLIØ STEP	F11	65	12	BOLT , DISK 8				
ARM , R MAIN STEP	F11	65	5	BOLT , DRAIN I				
ARM , R PILLIØ STEP	F11	65	11	BOLT , FLANG E				
AUT O CØC K ASSY , FUEL	F4	58	2	BOLT , FLANG E				
AXLE , FR , WHEEL	E14	52	3	BOLT , FLANG E				
AXLE , RR , WHEEL	F2	56	3	BOLT , FLANG E				
[B]				BOLT , FLANG E				
BAG , AIR PRESSUR E GAUGE	F7	77	4	BOLT , FLANG E				
BAG , SERVICE BOOK	F7	77	1	BOLT , FLANG E				
BAG , TOOL	F7	77	3	BOLT , FLANG E				
BALL , STEEL	F11	65	20	BOLT , FLANG E				
BAN D R , INSULATOR	B11	11	11	BOLT , FLANG E				
BAN D S , INSULATOR	B11	11	12	BOLT , FLANG E				
BAND , AIR CLEANER CONNECTING TUBE	F8	62	22	BOLT , FLANG E				
BAND , U-LOCK	F16	70	5	BOLT , FLANG E				
BAND , WIRE	C10	26	14	BOLT , FLANG E				
	E5	43	21	BOLT , FLANG E				
	F6	74	1R	BOLT , FLANG E				



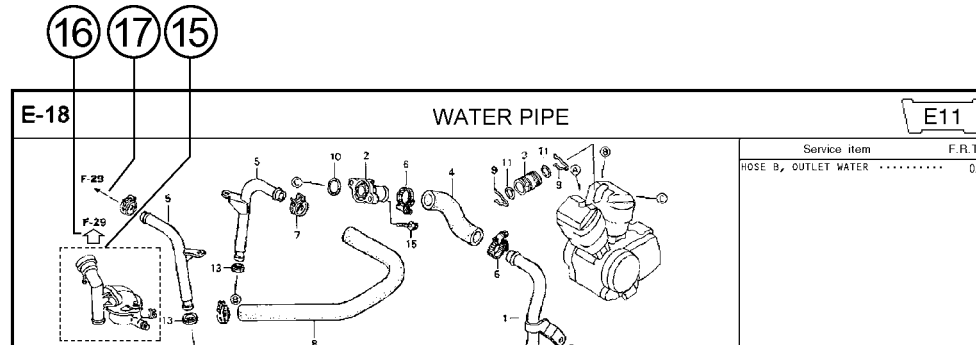
2000.09.01 E

Page No.

Part catalogue structure



Ref. No.	Part No.	Description	Reqd. QTY		Serial No.	Parts catalogue code
			CB400	SFX SFY		
1	45156-MCE-000	CLAMPER, R. FR. BRAKE HOSE ..	1	1		
2	45157-MCE-000	CLAMPER, L. FR. BRAKE HOSE ..	1	1		
3	61100-MCE-000ZA	FENDER COMP., FR. *NH411M*FORCE SILVER METALLIC	1	-	----- 3J,4J	
	61100-MCE-000ZB	*PB284C*...CANDY PHOENIX BLUE	1	-	----- J,2J	
4	61101-MCE-000	PLATE, FR. FENDER	2	2	1008000	
	61101-MCE-010	2	2	1008001	
5	61102-MCE-300	CUSHION, FR. FENDER	2	2		
		(BLACK)				



- ① **Address number**
 - Address No. is provided (in place of the page No.) to help you refer to the part with the part No. or part name.
- ② **Block title** ③ **Block number**
- ④ **Service item/Flat rate time**
- ⑤ **Reference number**
 - Title number marked with the parenthesis or parentheses indicates that it continues from the previous page.
- ⑥ **Part number** ⑦ **Honda color code**
- ⑧ **Description**
- ⑨ **Assemblies**
 - Sections framed with broken lines in the exploded view drawings are available as complete assemblies. (Their individual parts can also be obtained.)
- ⑩ **Color description**
- ⑪ **Note**
 - Notes are shown with the parentheses in the part name column.
- ⑫ **Required quantity**
 - Reqd. QTY shown in the parenthesis or parentheses indicates the optional part.
 - Reqd. QTY marked with "N" indicates the optional part that should be selected as needed.
 - Reqd. QTY indicates the number of the part used in the block.
- ⑬ **Serial number**
- ⑭ **Parts catalogue code**
 - When the parts catalogue code column is blank, it indicates that the part is applicable to all codes.
- ⑮ **Parts enclosed within a dotted line**
 - Parts enclosed within a dotted line are covered in a different block.
- ⑯ **Hollow arrow**
 - A hollow arrow indicates the block No. for the parts enclosed within a dotted line.
- ⑰ **Solid arrow**
 - A solid arrow indicates the block No. the part in question is connected to.

When the parts were revised



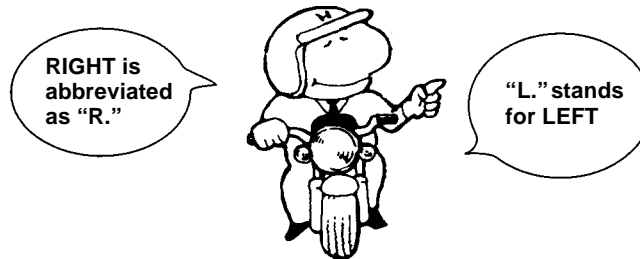
Ref. No.	Part No.	Description	Reqd. QTY		Serial No.
			CB400	SFX SFY	
1	45156-MCE-000	CLAMPER, R. FR. BRAKE HOSE ..	1	1	
2	45157-MCE-000	CLAMPER, L. FR. BRAKE HOSE ..	1	1	
3	61100-MCE-000ZA	FENDER COMP., FR. *NH411M*FORCE SILVER METALLIC	1	-	-----3J,4J
	61100-MCE-000ZB	*PB284C*...CANDY PHOENIX BLUE	-	1	-----J,2J
4	61101-MCE-000	PLATE, FR. FENDER	2	2	-----1008000
	61101-MCE-010	2	2	-----1008001
5	61102-MCE-300	CUSHION, FR. FENDER	2	2	
		(BLACK)			
6	61105-MCE-000	STAY, FR. FENDER MOUNTING ...	2	2	
7	61107-MR7-000	COLLAR (6.5)	4	4	
8	96001-06020-00	BOLT, FLANGE, 6X20	4	4	

The number has been used from the initial model without revision.

When shown at the left side, it is applicable to the models of No.1008001 and the subsequent numbers.

When shown at the right side, it is applicable to the models up to No.1008000.

Abbreviations used in the parts catalogue

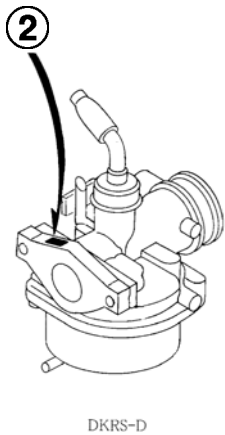
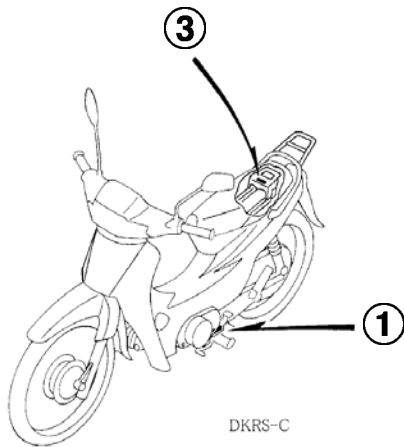
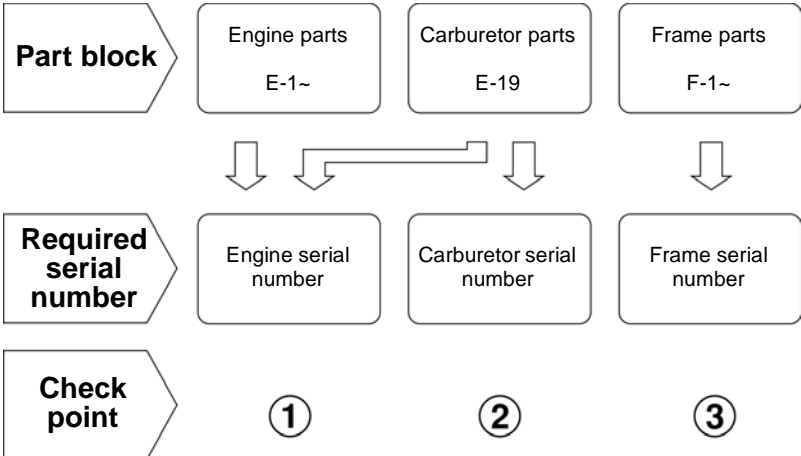


* "L." or "R." in the description of a part stands for the LEFT hand side or the RIGHT hand side. Determine the left or right as if you were in the motorcycle seat.

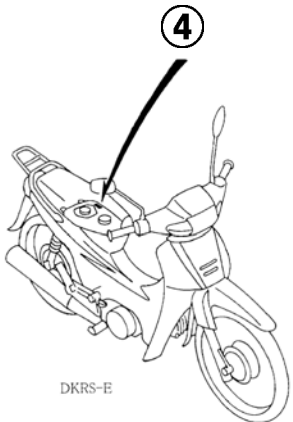
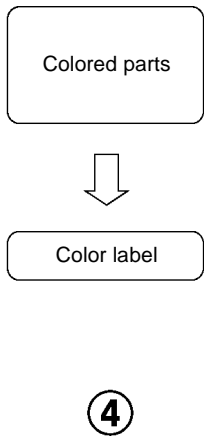
The following abbreviations are used in this parts catalogue.

- | | |
|-------------------------------------------|----------------------------------|
| A Ampere | L.Left |
| ABS Anti-lock brake system | L (100L) .Link (100 Links) |
| A.C. Alternating current | L.E.D.Light emitted diode |
| A.M. Attaching mark | MMMillimeter |
| ASSY. Assembly | MPHMiles per hour |
| C.D.I. Capacitive discharge ignition | R.Right |
| COMP. ... Complete | RR.Rear |
| D.C. Direct current | STD.Standard |
| EX. Exhaust | T (22T) ...Tooth (22 Teeth) |
| FR. Front | TCSTraction control system |
| G Gram | T.M.Transcript mark |
| HEX. Hexagonal | VVolt |
| IN. Inlet | WWatt |
| KPH Kilometers per hour | WLWith labelling |
| | WOLWithout labelling |

Part block and serial number check



Color label attachment position check



Models, parts catalogue codes and applicable serial numbers

Models, parts catalogue codes and applicable serial Nos. given in this parts catalogue can be identified as follows.

Parts with parts catalogue codes are exclusive for models destined for countries designated.

If no area codes are listed, parts are for common use.

Model	Parts catalogue code	Type	Applicable engine serial No.	Applicable frame serial No.	Applicable carburetor identification No.
NF100MSH ₃	CH	China			VM 16A
	2CH				
	3CH				

* Of carburetor/throttle body identification numbers, only the portions underlined in the example below are used for registration.

VM 16|A| KC ア

Color label

- When ordering parts, check the model name, main color, and code by observing the “COLOR LABEL” on the vehicle.
- When ordering a colored part, use the color chart in the instruction for use of parts catalogue.

1

<p>VFR800FIW</p> <p>COLOR R-157</p> <p>CODE R157</p>		MODEL		VFR800FIW					
	No.			Sparkling silver metallic	Mute black metallic	Applicable model		Applicable	Re
			CODE	NH-295M	NH-359M	Initial applicable model	Final applicable model	block No.	
		Name of colored parts	Basic part No.	NH295	NH359				
	1								
	2								
	3								
	4								
	5								
	6								
	7								
	8								
	9								
	10								

Color chart

- When ordering a colored part, refer to the chart below and use a part number consisting of the relevant basic part number to which has been added a part color code.

NF100MSH (NF100MSH₃)

No.	MODEL		NF100MSH ₃							
	COLOR		Pearl procyon black NH-A06P	Clean silver metallic NH-A05M	India green metallic G-178M	Bake red metallic R-283M	Applicable model		Applicable block No.	Ref.No.
	CODE		NHA06	NHA05	G178	R283	Initial applicable model	Final applicable model		
	Name of colored parts	Basic part No.								
1	CASE, UNDER HALF DRIVE CHAIN	40520-KRS-830	ZA	ZA	ZA	ZA			F-22	2
2	CASE, UPPER HALF DRIVE CHAIN	40510-KRS-830	ZA	ZA	ZA	ZA			F-22	1
3	COVER SET, FR. TOP	64550-KRS-830	ZA	ZB	ZC	ZD			F-31	10
4	COVER SET, L. BODY	64360-KRS-830	ZA	ZB	ZC	ZD			F-16	2
5	COVER SET, L. MAIN PIPE	64250-KRS-830	ZA	ZB	ZC	ZD			F-31	3
6	COVER SET, R. BODY	64300-KRS-830	ZA	ZB	ZC	ZD			F-16	1
7	COVER SET, R. MAIN PIPE	64200-KRS-830	ZA	ZB	ZC	ZD			F-31	1
8	COVER SET, R. SIDE	83550-KRS-830	ZA	ZB	ZC	ZD			F-16	3
9	COVER SET, TAIL	83600-KRS-830	ZA	ZB	ZC	ZD			F-16	5
10	COVER, FR. HANDLE	53205-KRS-830	ZC	ZB	ZA	ZD			F-5	12
11	COVER, FR. HANDLE	53205-KRS-850	ZC	ZB	ZA	ZD			F-5	12
12	COVER, L. FR. FORK	61400-KRS-830	ZC	ZB	ZA	ZD			F-7	5
13	COVER, MAIN PIPE	64320-KRS-830	ZA	ZA	ZA	ZA			F-31	5
14	COVER, R. FR. FORK	61200-KRS-830	ZC	ZB	ZA	ZD			F-7	4
15	COVER, R. FR. FORK	61200-KRS-850	ZC	ZB	ZA	ZD			F-7	4
16	COVER, RR. HANDLE	53204-KRS-830	ZA	ZA	ZA	ZA			F-5	11
17	FENDER, FR.	61100-KRS-830	ZC	ZB	ZA	ZD			F-7	3
18	LABEL, COLOR	87565-KRS-830	ZA	ZB	ZC	ZD			F-32	7
19	MARK, DRIVE CAUTION	87560-KRS-830	ZA	ZA	ZA	ZA			F-32	6
20	MARK, FR. TOP COVER	87101-KRS-830	ZA	ZB	ZC	ZD			F-33	1

NF100MSH (NF100MSH₃)

No.	MODEL		NF100MSH ₃							
	COLOR		Pearl procyon black	Clean silver metallic	India green metallic	Bake red metallic	Applicable model		Applicable block No.	Ref.No.
	CODE		NH-A06P	NH-A05M	G-178M	R-283M	Initial applicable model	Final applicable model		
	Name of colored parts	Basic part No.	NHA06	NHA05	G178	R283				
21	MARK, HONDA	87130-KRS-830	ZA	ZB	ZC	ZD			F-33	11
22	MARK, TAIL COVER	87110-KRS-830	ZA	ZB	ZC	ZD			F-33	10
23	SHIELD, L. LEG	64260-KRS-830	ZA	ZB	ZC	ZD			F-31	4
24	SHIELD, R. LEG	64210-KRS-830	ZA	ZB	ZC	ZD			F-31	2
25	STRIPE A, L. BODY COVER	87108-KRS-830	ZA	ZB	ZC	ZD			F-33	8
26	STRIPE B, L. BODY COVER	87109-KRS-830	ZA	ZB	ZC	ZD			F-33	9
27	STRIPE, L. LEG SHIELD	87103-KRS-830	ZA	ZB	ZC	ZD			F-33	3
28	STRIPE, L. MAIN PIPE SIDE COVER	87105-KRS-830	ZA	ZB	ZC	ZD			F-33	5
29	STRIPE, R. BODY COVER	87107-KRS-830	ZA	ZB	ZC	ZD			F-33	7
30	STRIPE, R. LEG SHIELD	87102-KRS-830	ZA	ZB	ZC	ZD			F-33	2
31	STRIPE, R. MAIN PIPE SIDE COVER	87104-KRS-830	ZA	ZB	ZC	ZD			F-33	4
32	STRIPE, R. SIDE COVER	87106-KRS-830	ZA	ZB	ZC	ZD			F-33	6
33	SWINGARM ASSY., RR.	52100-KRS-830	ZA	ZA	ZA	ZA			F-22	7

Fuel hose, general purpose hoses and vinyl hose

- The standard part fuel hose, general purpose hose and vinyl hose may be substituted by the coiled bulk part.
- When ordering the standard part fuel hose, general purpose hose and vinyl hose use the bulk part number written in the parts catalogue in brackets () underneath the part name, or use the catalogue below.
(The bulk part standard length is 1 m, however, those displayed in the catalogue < > are available in 3 m and 8 m lengths.)
- When exchanging the hose, cut and use at the specified length as mentioned in the part name.
(For the method of cutting the bulk part, and method of filling out orders etc., please refer to the service manual and the instructions issued with the bulk part.)
- The list below is a catalogue of the standard part numbers and bulk part numbers. Note that those numbers are applicable to the listed replacement parts only.

Fuel hoses/Tubes			
Standard part No.	Bulk part No.	Bulk part	
		Inner diameter (mm)	Length (m)
95001-30xxx-2x	95001-30001-20M	3.0	1
95001-30xxx-3x	95001-30001-30M	3.0	1
95001-30xxx-4x	95001-30001-40M	3.0	1
95001-35xxx-2x	95001-35001-50M <95001-35003-50M>	3.5	1 3
95001-35xxx-3x	95001-35001-60M <95001-35003-60M>	3.5	1 3
95001-35xxx-4x	95001-35001-60M <95001-35003-60M>	3.5	1 3
95001-35xxx-5x	95001-35001-50M <95001-35003-50M>	3.5	1 3
95001-35xxx-6x	95001-35001-60M <95001-35003-60M>	3.5	1 3
95001-45xxx-2x	95001-45001-50M <95001-45003-50M>	4.5	1 3
95001-45xxx-3x	95001-45001-60M <95001-45003-60M> <95001-45008-60M>	4.5	1 3 8
95001-45xxx-4x	95001-45001-60M <95001-45003-60M> <95001-45008-60M>	4.5	1 3 8
95001-45xxx-5x	95001-45001-50M <95001-45003-50M>	4.5	1 3
95001-45xxx-6x	95001-45001-60M <95001-45003-60M> <95001-45008-60M>	4.5	1 3 8
95001-55xxx-2x	95001-55001-50M <95001-55003-50M> <95001-55008-50M>	5.5	1 3 8

Fuel hoses/Tubes			
Standard part No.	Bulk part No.	Bulk part	
		Inner diameter (mm)	Length (m)
95001-55xxx-3x	95001-55001-60M <95001-55003-60M> <95001-55008-60M>	5.5	1 3 8
95001-55xxx-4x	95001-55001-60M <95001-55003-60M> <95001-55008-60M>	5.5	1 3 8
95001-55xxx-5x	95001-55001-50M <95001-55003-50M> <95001-55008-50M>	5.5	1 3 8
95001-55xxx-6x	95001-55001-60M <95001-55003-60M> <95001-55008-60M>	5.5	1 3 8
95001-75xxx-2x	95001-75001-50M <95001-75003-50M>	7.5	1 3
95001-75xxx-3x	95001-75001-60M <95001-75003-60M> <95001-75008-60M>	7.5	1 3 8
95001-75xxx-4x	95001-75001-60M <95001-75003-60M> <95001-75008-60M>	7.5	1 3 8
95001-75xxx-5x	95001-75001-50M <95001-75003-50M>	7.5	1 3
95001-75xxx-6x	95001-75001-60M <95001-75003-60M> <95001-75008-60M>	7.5	1 3 8
95001-80xxx-2x	95001-80001-50M	8.0	1
95001-80xxx-3x	95001-80001-60M	8.0	1
95001-80xxx-4x	95001-80001-60M	8.0	1
95001-80xxx-5x	95001-80001-50M	8.0	1
95001-80xxx-6x	95001-80001-60M	8.0	1

Vinyl tube				
Standard part No.	Bulk part No.	Bulk part		
		Inner dia- meter (mm)	Outer dia-meter (mm)	Length (m)
95003-01xxx-3x	95003-01001-60M <95003-01003-60M>	2.9	6.8	1 3
95003-01xxx-60	95003-01001-60M <95003-01003-60M>	2.9	6.8	1 3
95003-03xxx-3x	95003-03001-60M <95003-03003-60M>	3.0	6.0	1 3
95003-03xxx-60	95003-03001-60M <95003-03003-60M>	3.0	6.0	1 3
95003-05xxx-3x	95003-05001-60M <95003-05003-60M> <95003-05008-60M>	3.5	6.5	1 3 8
95003-05xxx-60	95003-05001-60M <95003-05003-60M> <95003-05008-60M>	3.5	6.5	1 3 8
95003-07xxx-1x	95003-07001-10M <95003-07003-10M> <95003-07008-10M>	4.0	7.0	1 3 8
95003-07xxx-20	95003-07001-10M <95003-07003-10M> <95003-07008-10M>	4.0	7.0	1 3 8
95003-07xxx-3x	95003-07001-60M <95003-07003-60M> <95003-07008-60M>	4.0	7.0	1 3 8
95003-07xxx-60	95003-07001-60M <95003-07003-60M> <95003-07008-60M>	4.0	7.0	1 3 8
95003-07xxx-7x	95003-07001-70M <95003-07003-70M> <95003-07008-70M>	4.0	7.0	1 3 8
95003-08xxx-1x	95003-08001-10M <95003-08003-10M> <95003-08008-10M>	4.5	6.5	1 3 8
95003-09xxx-3x	95003-09001-60M <95003-09003-60M>	4.5	8.0	1 3
95003-09xxx-60	95003-09001-60M <95003-09003-60M>	4.5	8.0	1 3
95003-10xxx-1x	95003-10001-10M <95003-10003-10M>	5.0	8.0	1 3
95003-10xxx-20	95003-10001-10M <95003-10003-10M>	5.0	8.0	1 3
95003-10xxx-3x	95003-10001-60M <95003-10003-60M>	5.0	8.0	1 3
95003-10xxx-60	95003-10001-60M <95003-10003-60M>	5.0	8.0	1 3
95003-11xxx-3x	95003-11001-60M <95003-11003-60M> <95003-11008-60M>	5.0	9.0	1 3 8
95003-11xxx-60	95003-11001-60M <95003-11003-60M> <95003-11008-60M>	5.0	9.0	1 3 8
95003-12xxx-1x	95003-12001-10M <95003-12003-10M> <95003-12008-10M>	5.0	7.0	1 3 8
95003-12xxx-20	95003-12001-10M <95003-12003-10M> <95003-12008-10M>	5.0	7.0	1 3 8

Vinyl tube				
Standard part No.	Bulk part No.	Bulk part		
		Inner dia- meter (mm)	Outer dia-meter (mm)	Length (m)
95003-14xxx-1x	95003-14001-10M <95003-14003-10M>	6.0	9.0	1 3
95003-14xxx-20	95003-14001-10M <95003-14003-10M>	6.0	9.0	1 3
95003-14xxx-3x	95003-14001-60M <95003-14003-60M>	6.0	9.0	1 3
95003-17xxx-1x	95003-17001-10M <95003-17003-10M>	7.0	9.0	1 3
95003-19xxx-1x	95003-19001-10M <95003-19003-10M> <95003-19008-10M>	7.0	11.0	1 3 8
95003-19xxx-20	95003-19001-10M <95003-19003-10M> <95003-19008-10M>	7.0	11.0	1 3 8
95003-19xxx-3x	95003-19001-60M <95003-19003-60M> <95003-19008-60M>	7.0	11.0	1 3 8
95003-19xxx-60	95003-19001-60M <95003-19003-60M> <95003-19008-60M>	7.0	11.0	1 3 8
95003-21xxx-1x	95003-21001-10M <95003-21003-10M>	8.0	9.0	1 3
95003-21xxx-20	95003-21001-10M <95003-21003-10M>	8.0	9.0	1 3
95003-23xxx-1x	95003-23001-10M <95003-23003-10M>	8.0	12.0	1 3
95003-23xxx-20	95003-23001-10M <95003-23003-10M>	8.0	12.0	1 3
95003-23xxx-3x	95003-23001-60M <95003-23003-60M> <95003-23008-60M>	8.0	12.0	1 3 8
95003-23xxx-60	95003-23001-60M <95003-23003-60M> <95003-23008-60M>	8.0	12.0	1 3 8
95003-25xxx-1x	95003-25001-10M <95003-25003-10M>	9.0	11.0	1 3
95003-25xxx-20	95003-25001-10M <95003-25003-10M>	9.0	11.0	1 3
95003-25xxx-3x	95003-25001-60M <95003-25003-60M>	9.0	11.0	1 3
95003-25xxx-7x	95003-25001-70M <95003-25003-70M>	9.0	11.0	1 3
95003-27xxx-1x	95003-27001-10M <95003-27003-10M>	9.0	13.0	1 3
95003-27xxx-20	95003-27001-10M <95003-27003-10M>	9.0	13.0	1 3
95003-27xxx-3x	95003-27001-60M <95003-27003-60M>	9.0	13.0	1 3
95003-27xxx-60	95003-27001-60M <95003-27003-60M>	9.0	13.0	1 3
95003-33xxx-1x	95003-33001-10M <95003-33003-10M>	10.0	14.0	1 3
95003-33xxx-20	95003-33001-10M <95003-33003-10M>	10.0	14.0	1 3

Vinyl tube				
Standard part No.	Bulk part No.	Bulk part		
		Inner dia- meter (mm)	Outer dia-meter (mm)	Length (m)
95003-36xxx-1x	95003-36001-10M <95003-36003-10M> <95003-36008-10M>	11.0	13.0	1 3 8
95003-36xxx-20	95003-36001-10M <95003-36003-10M> <95003-36008-10M>	11.0	13.0	1 3 8
95003-37xxx-3x	95003-37001-60M <95003-37003-60M>	11.0	15.0	1 3
95003-37xxx-60	95003-37001-60M <95003-37003-60M>	11.0	15.0	1 3
95003-38xxx-1x	95003-38001-10M <95003-38003-10M>	12.0	13.0	1 3
95003-38xxx-20	95003-38001-10M <95003-38003-10M>	12.0	13.0	1 3
95003-39xxx-1x	95003-39001-10M <95003-39003-10M>	12.0	14.0	1 3
95003-39xxx-20	95003-39001-10M <95003-39003-10M>	12.0	14.0	1 3
95003-40xxx-20	95003-40001-10M <95003-40003-10M>	12.0	16.0	1 3
95003-40xxx-3x	95003-40001-60M <95003-40003-60M>	12.0	16.0	1 3
95003-40xxx-60	95003-40001-60M <95003-40003-60M>	12.0	16.0	1 3
95003-43xxx-1x	95003-43001-10M <95003-43003-10M> <95003-43008-10M>	13.0	15.0	1 3 8
95003-43xxx-20	95003-43001-10M <95003-43003-10M> <95003-43008-10M>	13.0	15.0	1 3 8
95003-45xxx-1x	95003-45001-10M <95003-45003-10M> <95003-45008-10M>	14.0	18.0	1 3 8
95003-45xxx-20	95003-45001-10M <95003-45003-10M> <95003-45008-10M>	14.0	18.0	1 3 8
95003-50xxx-1x	95003-50001-10M <95003-50003-10M>	16.0	19.0	1 3
95003-50xxx-20	95003-50001-10M <95003-50003-10M>	16.0	19.0	1 3
95003-50xxx-3x	95003-50001-60M <95003-50003-60M>	16.0	19.0	1 3
95003-55xxx-1x	95003-55001-10M <95003-55003-10M>	17.5	20.5	1 3
95003-55xxx-20	95003-55001-10M <95003-55003-10M>	17.5	20.5	1 3
95003-60xxx-1x	95003-60001-10M <95003-60003-10M>	22.0	27.0	1 3
95003-60xxx-20	95003-60001-10M <95003-60003-10M>	22.0	27.0	1 3
95003-60xxx-3x	95003-60001-60M <95003-60003-60M>	22.0	27.0	1 3
95003-60xxx-60	95003-60001-60M <95003-60003-60M>	22.0	27.0	1 3

General purpose hoses			
Standard part No.	Bulk part No.	Bulk part	
		Inner diameter (mm)	Length (m)
95005-11xxx-3x	95005-11001-30M	11.0	1
95005-11xxx-5x	95005-11001-50M	11.0	1
95005-12xxx-1x	95005-12001-10M <95005-12003-10M>	12.0	1 3
95005-12xxx-2x	95005-12001-20M	12.0	1
95005-12xxx-3x	95005-12001-30M	12.0	1
95005-12xxx-5x	95005-12001-50M	12.0	1
95005-14xxx-1x	95005-14001-10M	14.0	1
95005-14xxx-2x	95005-14001-20M <95005-14003-20M>	14.0	1 3
95005-14xxx-3x	95005-14001-30M	14.0	1
95005-14xxx-5x	95005-14001-50M	14.0	1
95005-17xxx-1x	95005-17001-10M	17.0	1
95005-17xxx-2x	95005-17001-20M	17.0	1
95005-17xxx-3x	95005-17001-30M	17.0	1
95005-17xxx-5x	95005-17001-50M	17.0	1
95005-30xxx-3x	95005-30001-30M	3.0	1
95005-30xxx-5x	95005-30001-50M	3.0	1
95005-35xxx-1x	95005-35001-10M <95005-35003-10M> <95005-35008-10M>	3.5	1 3 8
95005-35xxx-2x	95005-35001-20M	3.5	1
95005-35xxx-3x	95005-35001-30M	3.5	1
95005-35xxx-4x	95005-35001-10M <95005-35003-10M> <95005-35008-10M>	3.5	1 3 8
95005-35xxx-5x	95005-35001-50M	3.5	1
95005-45xxx-1x	95005-45001-10M <95005-45003-10M> <95005-45008-10M>	4.5	1 3 8
95005-45xxx-2x	95005-45001-20M	4.5	1
95005-45xxx-3x	95005-45001-30M	4.5	1

General purpose hoses			
Standard part No.	Bulk part No.	Bulk part	
		Inner diameter (mm)	Length (m)
95005-45xxx-4x	95005-45001-10M <95005-45003-10M> <95005-45008-10M>	4.5	1 3 8
95005-45xxx-5x	95005-45001-50M	4.5	1
95005-50xxx-3x	95005-50001-30M <95005-50003-30M>	5.0	1 3
95005-50xxx-5x	95005-50001-50M	5.0	1
95005-55xxx-1x	95005-55001-10M <95005-55003-10M> <95005-55008-10M>	5.3	1 3 8
95005-55xxx-2x	95005-55001-20M <95005-55003-20M>	5.3	1 3
95005-55xxx-4x	95005-55001-10M <95005-55003-10M> <95005-55008-10M>	5.3	1 3 8
95005-65xxx-1x	95005-65001-10M <95005-65003-10M>	6.5	1 3
95005-65xxx-2x	95005-65001-20M	6.5	1
95005-70xxx-3x	95005-70001-30M <95005-70003-30M>	7.0	1 3
95005-70xxx-5x	95005-70001-50M	7.0	1
95005-75xxx-1x	95005-75001-10M <95005-75003-10M>	7.3	1 3
95005-75xxx-2x	95005-75001-20M	7.3	1
95005-80xxx-1x	95005-80001-10M <95005-80003-10M>	8.0	1 3
95005-80xxx-2x	95005-80001-20M	8.0	1
95005-80xxx-3x	95005-80001-30M	8.0	1
95005-80xxx-5x	95005-80001-50M	8.0	1
95005-91xxx-3x	95005-91001-30M	12.0	1
95005-91xxx-5x	95005-91001-50M	12.0	1
95005-92xxx-3x	95005-92001-30M	12.0	1
95005-92xxx-5x	95005-92001-50M	12.0	1

NOTE: X is displayed to represent the omitted numerals and letters of the roman alphabet.

⊙ **CAUTION: It is DANGEROUS to confuse the fuel hose with the general purpose hose or vinyl hose.**

Never use a general purpose hose or vinyl hose in place of a fuel hose or vice versa. Always use the correct bulk part in the parts catalogue, according to the service manual or the instructions issued with the bulk part.

• Bulk part number of fuel hose, general purpose hose and vinyl hose.

(Example)

9 5 0 0 1 - 7 5 0 0 1 - 5 0 M

Bulk part number: Refers to the bulk part.

Marking code (hose type): (fuel hose and general purpose hose)

Change code (for added hose): (Vinyl hose)

- Indicates number mark or change sequence, however, the code for the bulk part must be strictly 0 (zero).

Types of code:

- Fuel hose
 - 2: Red outside braid (3 mm inside dia. only)
 - 5: Black inside braid
 - 3: Red (3 mm inside dia. only)
 - 4: Ash gray with red stripe (3 mm inside dia. only)
 - 6: Black
- Vinyl hose
 - 1: Clear
 - 2: Black
 - 3: Light red
 - 6: Light red
 - 7: Pale black
- General hose
 - 1: Ash gray
 - 2: Ash gray
 - 3: Black
 - 5: Black

Lengths: 001: 1 m (standard)
003: 3 m
008: 8 m

I.D code: (fuel hose and general purpose hose)

- 30: 3.0 mm
- 35: 3.5 mm
- 45: 4.5 mm
- 50: 5.0 mm
- 55: 5.3 mm, 5.5 mm
- 65: 6.5 mm
- 70: 7.0 mm
- 75: 7.3 mm, 7.5 mm
- 80: 8.0 mm
- 11: 11 mm
- 91: 12 mm (outside dia. 15) mm
- 92: 12 mm (outside dia. 16) mm
- 12: 12 mm (outside dia. 17) mm
- 14: 14 mm
- 17: 17 mm

ID./OD. code: (vinyl hose)

- 01: ID. 2.9, OD. 6.8 mm
- 03: ID. 3.0, OD. 6.0 mm
- 05: ID. 3.5, OD. 6.5 mm
- 07: ID. 4.0, OD. 7.0 mm
- 08: ID. 4.5, OD. 6.5 mm
- 09: ID. 4.5, OD. 8.0 mm
- 12: ID. 5.0, OD. 7.0 mm
- 10: ID. 5.0, OD. 8.0 mm
- 11: ID. 5.0, OD. 9.0 mm
- 14: ID. 6.0, OD. 9.0 mm
- 17: ID. 7.0, OD. 9.0 mm
- 19: ID. 7.0, OD. 11.0 mm
- 21: ID. 8.0, OD. 9.0 mm
- 23: ID. 8.0, OD. 12.0 mm
- 25: ID. 9.0, OD. 11.0 mm
- 27: ID. 9.0, OD. 13.0 mm
- 33: ID. 10.0, OD. 14.0 mm
- 36: ID. 11.0, OD. 13.0 mm
- 37: ID. 11.0, OD. 15.0 mm
- 38: ID. 12.0, OD. 13.0 mm
- 39: ID. 12.0, OD. 14.0 mm
- 40: ID. 12.0, OD. 16.0 mm
- 43: ID. 13.0, OD. 15.0 mm
- 45: ID. 14.0, OD. 18.0 mm
- 50: ID. 16.0, OD. 19.0 mm
- 55: ID. 17.5, OD. 20.5 mm
- 60: ID. 22.0, OD. 27.0 mm

Hose type: 1: Fuel hose
3: Vinyl hose
5: General hose

How to use the flat rate time (F.R.T.)

This F.R.T. (Flat Rate Time) is used to determine the standard labor time allowed for replacement of parts covered by the warranty during the period the warranty is in effect. The F.R.T. for those parts which are not listed herein should be determined from the operation closely related to the replacement of that part.

1. The F.R.T. is based on the following servicing conditions

- a. A liberal allowance is added to the net servicing time.
- b. Standard times specified are based on the condition that the necessary servicing tools listed in the service manual (motorcycle) which describes the Honda service policy are available close at hand and the work performed by a mechanic with normal skill.
- c. Time required for inspection and operational test following the servicing is included in the F.R.T.

2. Method of computing

The job times are listed in tenth of an hour to simplify computation.

(Example) 0.3 = 18 minutes
5.6 = 5 hours and 36 minutes

CONVERSION CHART			
Hours	Minutes	Hours	Minutes
0.1	6	0.6	36
0.2	12	0.7	42
0.3	18	0.8	48
0.4	24	0.9	54
0.5	30	1.0	60

3. Computing the F.R.T.

The following are only examples and do not reflect the actual F.R.T. for this product.

When several jobs are performed at the same time, make the calculation in the following manner.

a. Jobs of non duplicated nature

The F.R.T. for the job is obtained by totalling the F.R.T. for each part replaced.

(Example) Replacement of head cover gasket and oil filter.

Service item	F.R.T.
Packing, cylinder head cover	0.5
Cartridge, oil filter	0.5

The F.R.T. for the job is: $0.5 + 0.5 = 1.0$

b. Jobs of duplicated nature

Take the F.R.T. for the last part to be replaced.

(Example) Replacement of piston and cylinder head gasket.

Service item	F.R.T.
Gasket comp., cylinder head	3.0
Piston	*5.0

The F.R.T. for the job is: 5.0

c. Jobs of partially related nature

Total up the F.R.T. for all of the parts replaced and then subtract the F.R.T. for the duplicated operation (i.e., cylinder head gasket service).

(Example) Replacement of valve and cylinder head.

Service item	F.R.T.
Valve	*3.0
Head assy., cylinder	*4.0
Gasket comp., cylinder head	*2.5

The F.R.T. for the job is: $(3.0 + 4.0) - 2.5 = 4.5$

- The F.R.T. shown with (*) includes engine removal and installation.
- The parts, having the same number of man-hour, are identified by a mark "•", and classified under the title of their representative work.

4. Operations other than replacing parts

a. Removal and installation

No.	Service item	F.R.T.
1	Engine	1.5
2	Cylinder head	1.1
3	Carburetor	0.3
4	Crankcase separation	*3.9

b. Adjustment, measurement and cleaning

Engine

No.	Service item	F.R.T.
1	Spark plug adjustment and cleaning	0.1
2	Carburetor idle adjustment	0.1
3	Engine oil inspection	0.1
4	Compression-pressure measurement	0.1
5	Battery checking of electrolyte level and gravity	0.2
6	Carburetor float level measurement	0.6
7	Throttle operation adjustment	0.1
8	Ignition timing inspection	0.2
9	Tappet adjustment	0.3
10	Cleaner element cleaning	0.3
11	Clutch adjustment	0.1
12	Oil filter screen cleaning	0.6

Frame

No.	Service item	F.R.T.
1	Front brake air bleeding	0.2
2	Front brake adjustment	0.1
3	Rear brake adjustment	0.1
4	Brake operation test	0.1
5	Headlight aiming	0.1
6	Drive chain tension adjustment	0.1

c. Overhaul

No.	Service item	F.R.T.
1	Carburetor	0.8

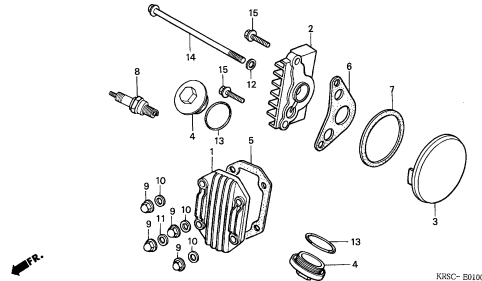
ENGINE GROUP

C 1

E-1

CYLINDER HEAD COVER

D 1

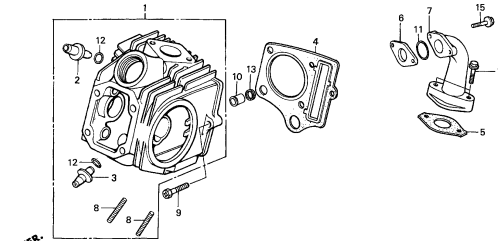


KRSC-E0100

E-2

CYLINDER HEAD

D 2

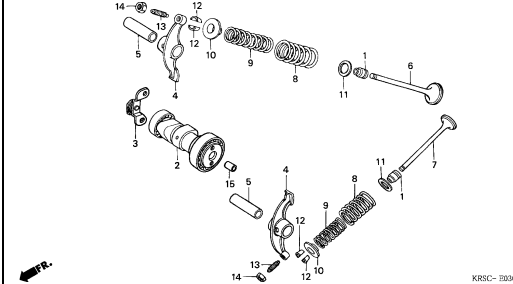


KRSC-E0200

E-3

CAMSHAFT/VALVE

D 3

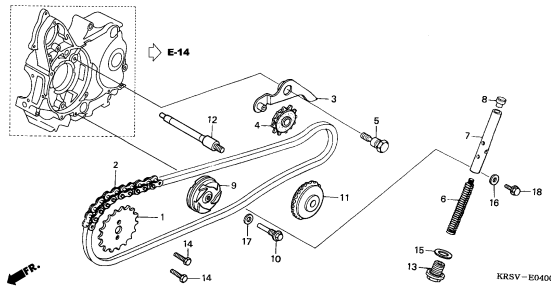


KRSC-E0300

E-4

CAM CHAIN/TENSIONER

D 4

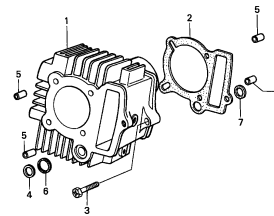


KRSV-E0400

E-5

CYLINDER

D 5

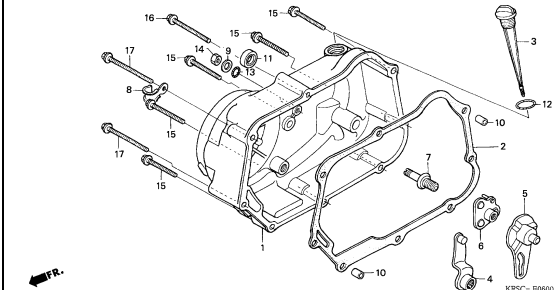


KEVW-E0500

E-6

RIGHT CRANKCASE COVER

D 6

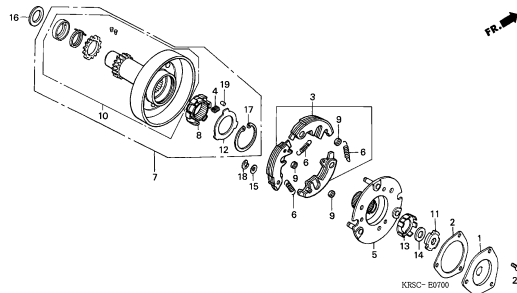


KRSC-E0600

E-7

ONE WAY CLUTCH

D 7

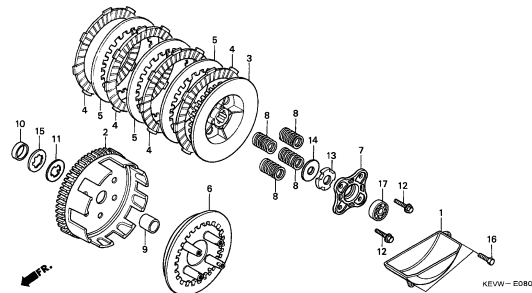


KRSC-E0700

E-8

CLUTCH

D 8

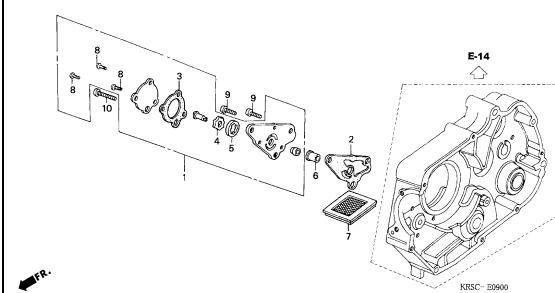


KEVW-E0800

E-9

OIL PUMP

D 9



KRSC-E0900

2

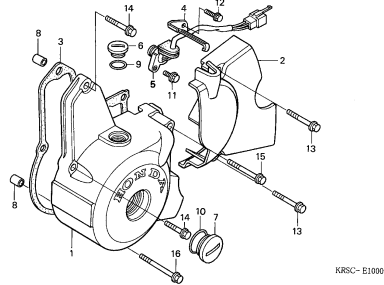
ENGINE GROUP

C 2

E-10

LEFT CRANKCASE COVER

D10

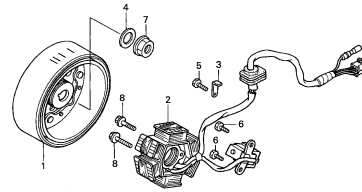


KRSC-E1000

E-11

GENERATOR

D11

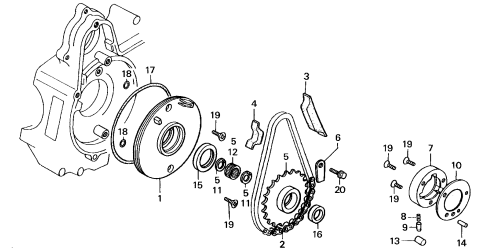


KPV3-E1100

E-12

STARTING CLUTCH

D12

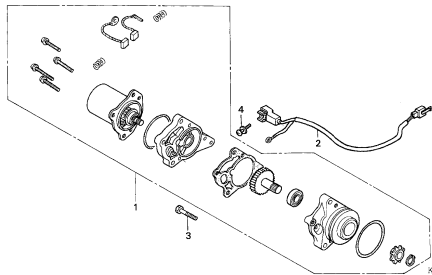


KFMS-E1200

E-13

STARTING MOTOR

D13

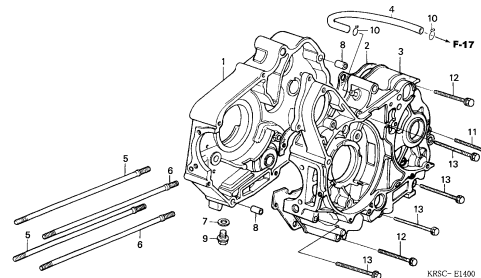


KRSC-E1300

E-14

CRANKCASE

D14

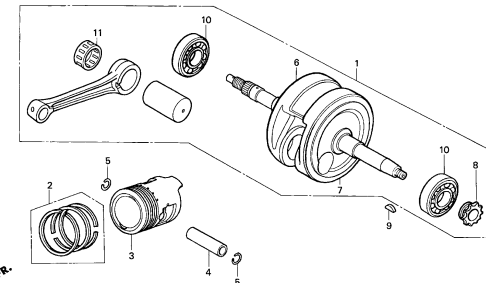


KRSC-E1400

E-15

CRANKSHAFT/PISTON

D15

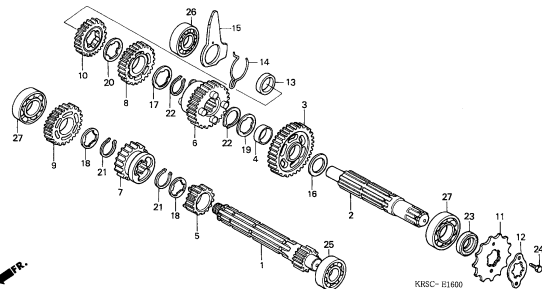


KRSC-E1500

E-16

TRANSMISSION

D16

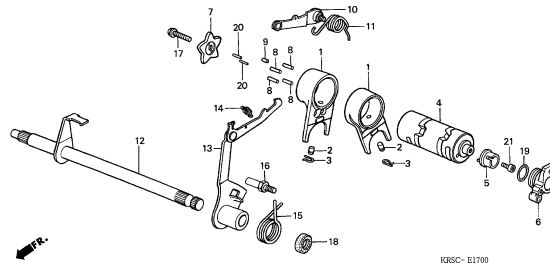


KRSC-E1600

E-17

GEARSHIFT DRUM

E 2

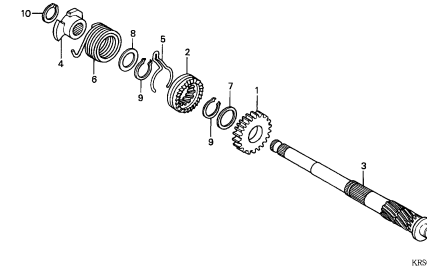


KRSC-E1700

E-18

KICK STARTER SPINDLE

E 3



KRSC-E1800

2

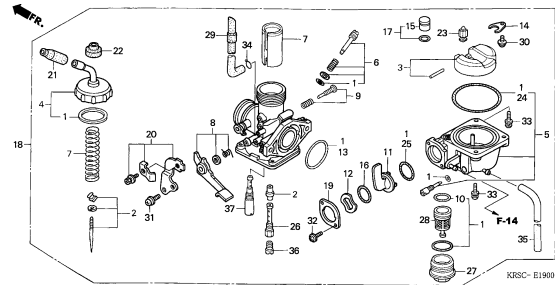
ENGINE GROUP

C 3

E-19

E 4

CARBURETOR



2

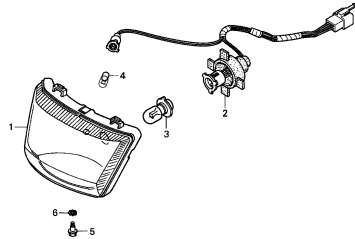
FRAME GROUP

C 4

F-1

HEADLIGHT

F 1

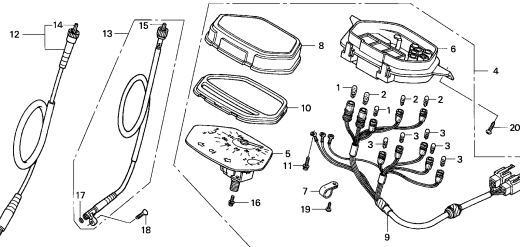


KRSC-P0100

F-2

METER

F 2

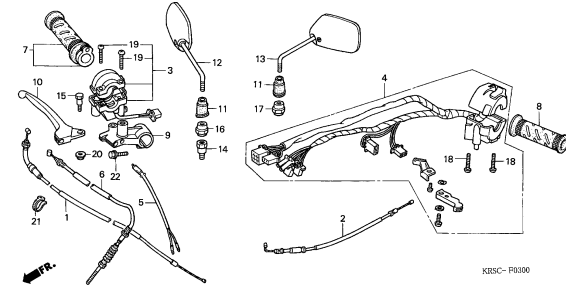


KRSC-P0200

F-3

HANDLE LEVER/SWITCH/CABLE

F 3

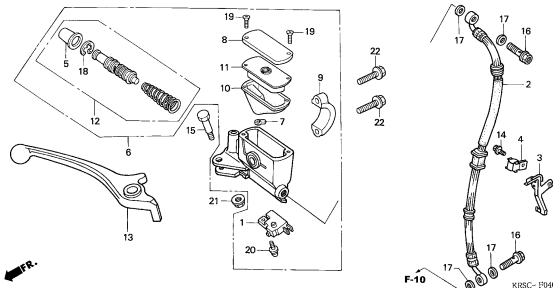


KRSC-P0300

F-4

FR. BRAKE MASTER CYLINDER

F 4

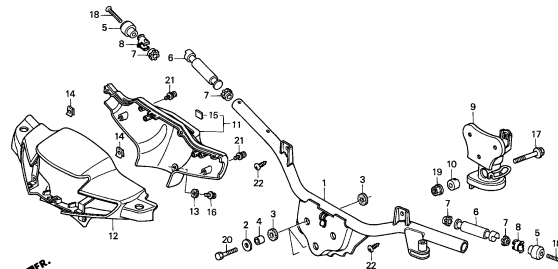


KRSC-P0400

F-5

HANDLE PIPE

F 5

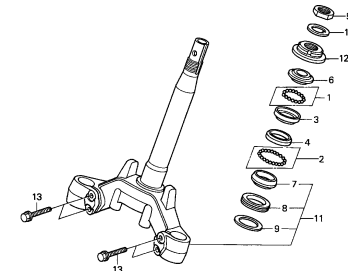


KRSC-P0500

F-6

STEERING STEM

F 7

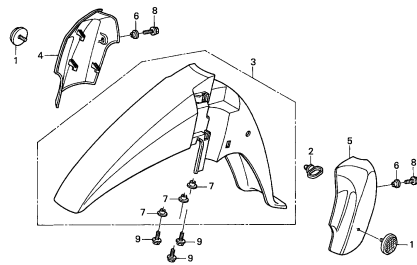


KRSC-P0600

F-7

FRONT FENDER

F 8

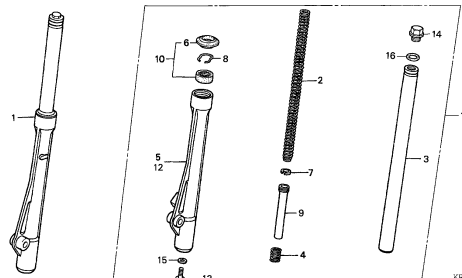


KRSC-P0700

F-8

FRONT FORK

F 9

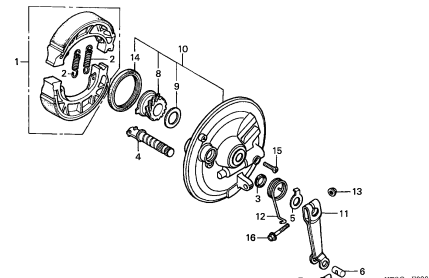


KRSC-P0800

F-9

FRONT BRAKE PANEL

F10



KRSC-P0900

3

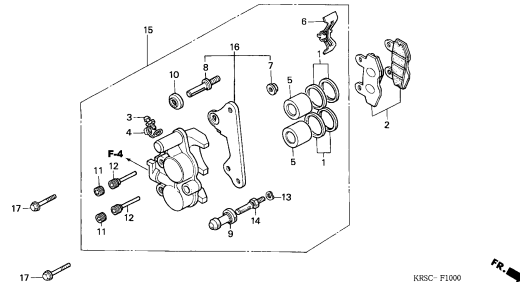
FRAME GROUP

C 5

F-10

FRONT BRAKE CALIPER

F11

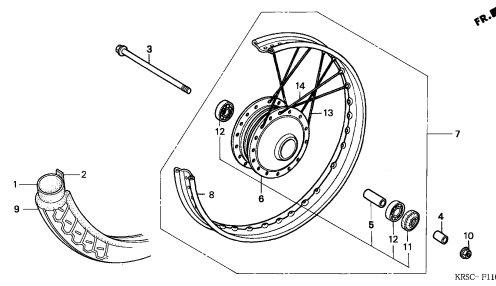


KRSC- F1000

F-11

FRONT WHEEL(CH)

F12

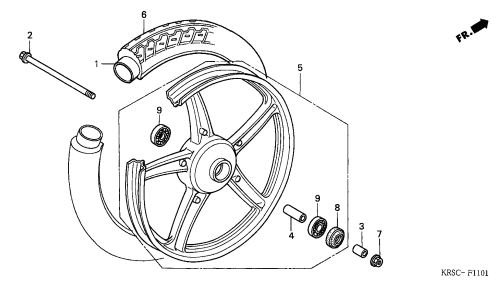


KRSC- F1100

F-11-1

FRONT WHEEL(2CH)

F13

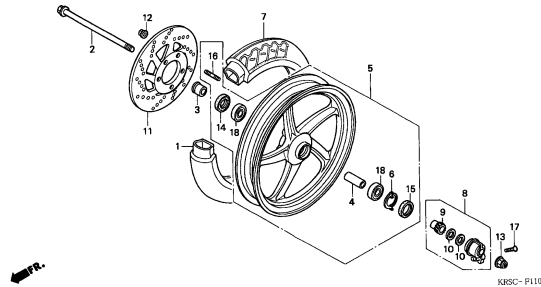


KRSC- F1101

F-11-2

FRONT WHEEL(3CH)

F14

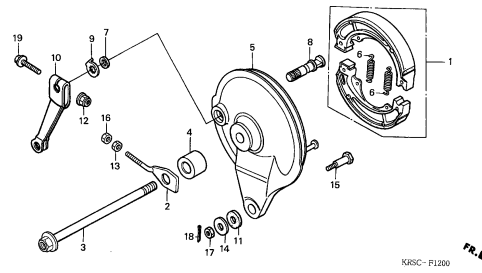


KRSC- F1102

F-12

REAR BRAKE PANEL

F15

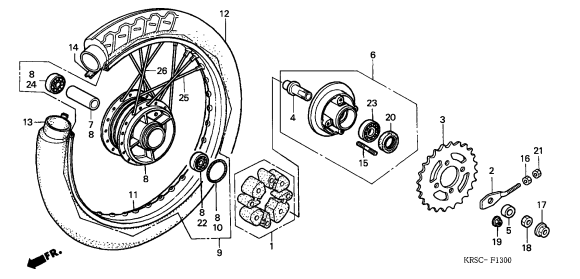


KRSC- F1200

F-13

REAR WHEEL(CH)

F16

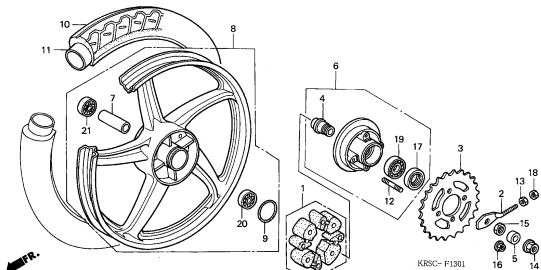


KRSC- F1300

F-13-1

REAR WHEEL(2CH/3CH)

G 2

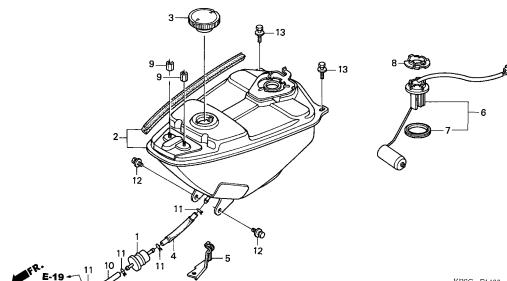


KRSC- F1301

F-14

FUEL TANK

G 3

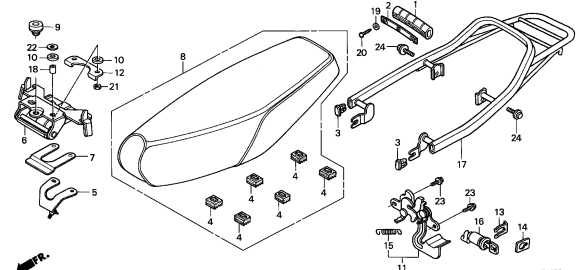


KRSC- F1400

F-15

SEAT

G 4



KRSC- F1500

3

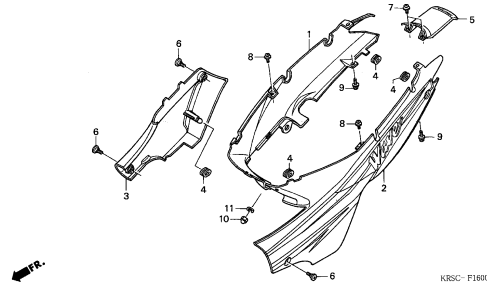
FRAME GROUP

C 6

F-16

BODY COVER

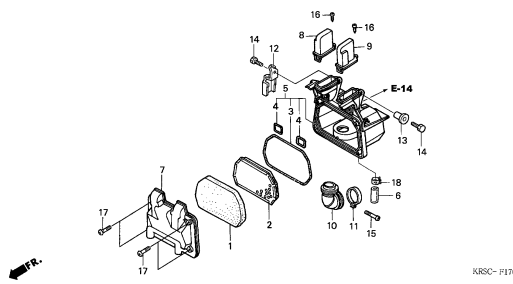
G 5



F-17

AIR CLEANER

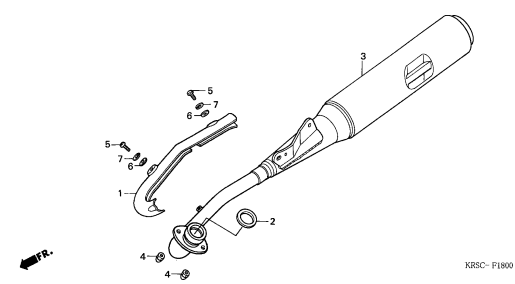
G 6



F-18

EXHAUST MUFFLER

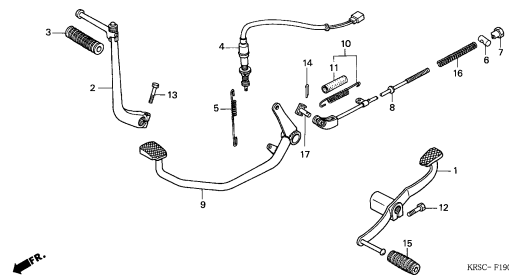
G 7



F-19

PEDAL/KICK STARTER ARM

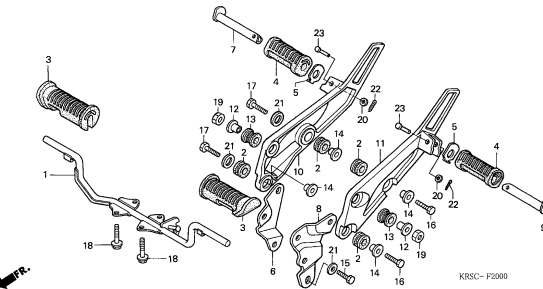
G 8



F-20

STEP

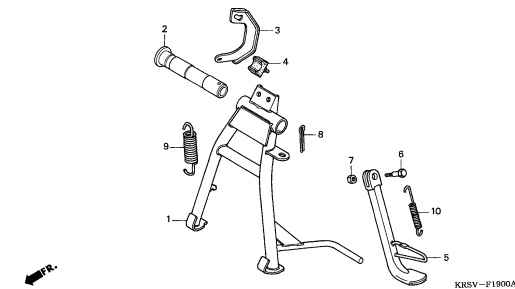
G 9



F-21

STAND

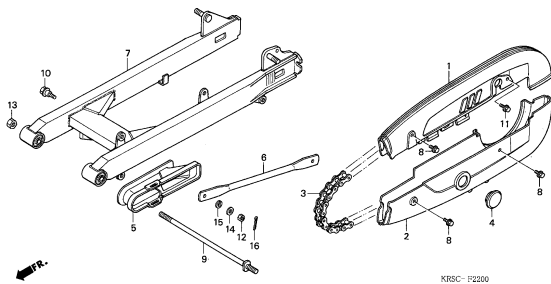
G10



F-22

SWINGARM

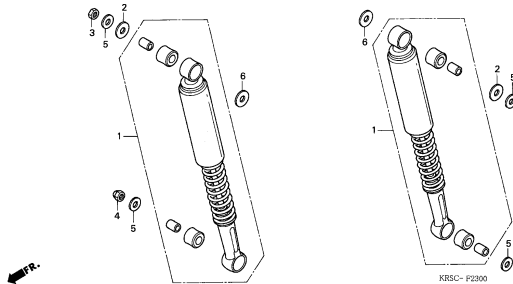
G11



F-23

REAR CUSHION

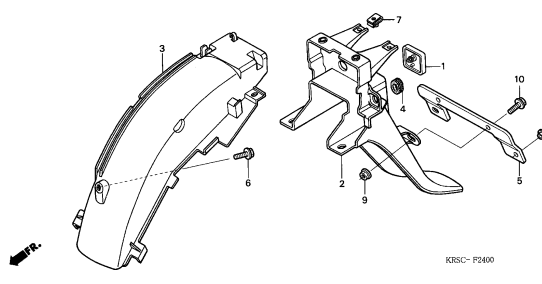
G12



F-24

REAR FENDER

G13



3

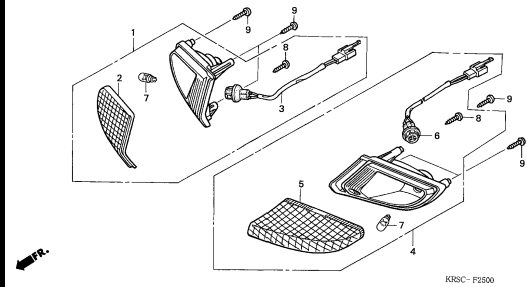
FRAME GROUP

C 7

F-25

WINKER

G14

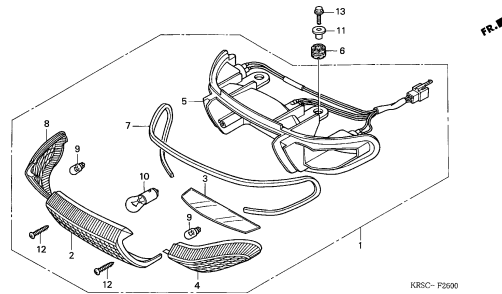


KRSC-F2500

F-26

REAR COMBINATION LIGHT

G15

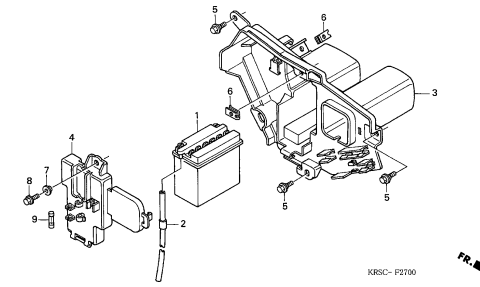


KRSC-F2600

F-27

BATTERY

G16

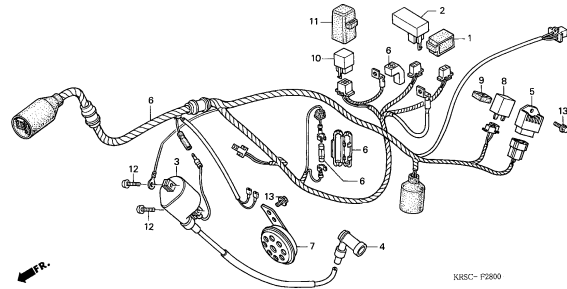


KRSC-F2700

F-28

WIRE HARNESS

H 1

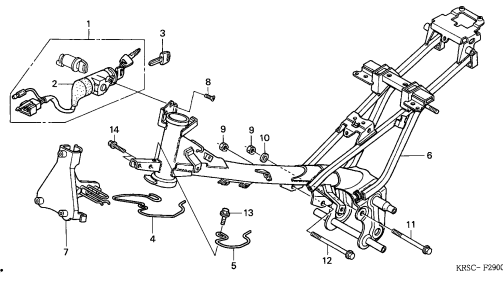


KRSC-F2800

F-29

FRAME BODY

H 2

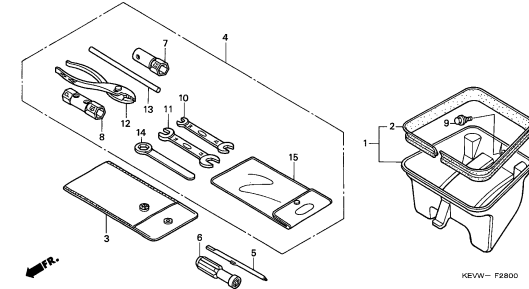


KRSC-F2900

F-30

TOOLS

H 3

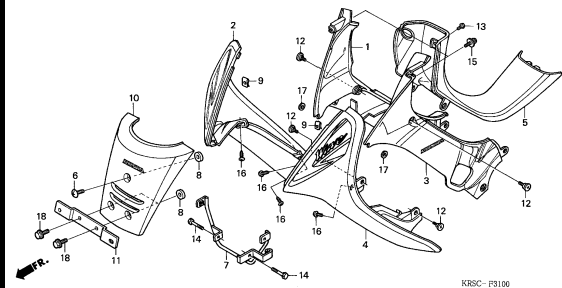


KEVIN-F2800

F-31

MAIN PIPE COVER/

H 4

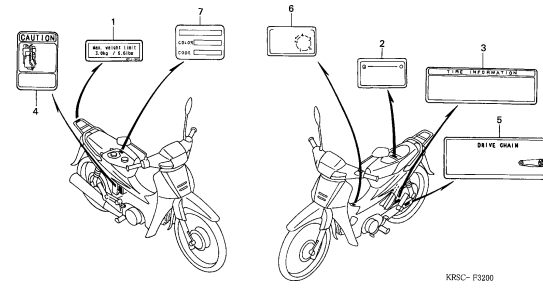


KRSC-F3100

F-32

CAUTION LABEL

H 6

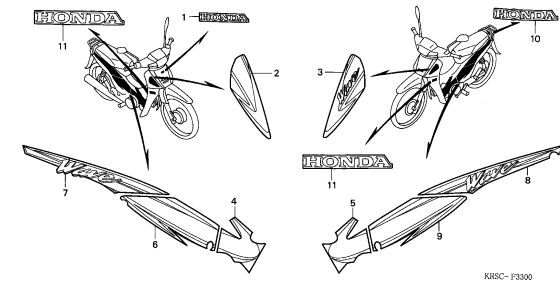


KRSC-F3200

F-33

MARK/STRIPE

H 7



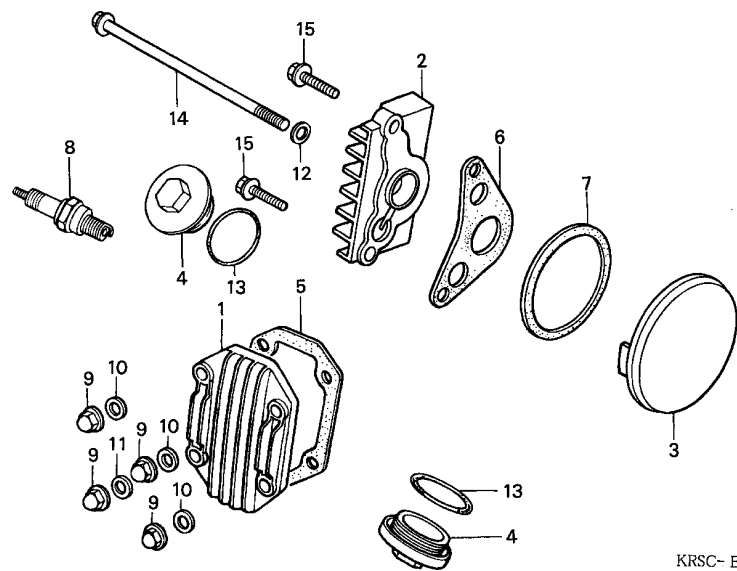
KRSC-F3300

3

E-1

CYLINDER HEAD COVER

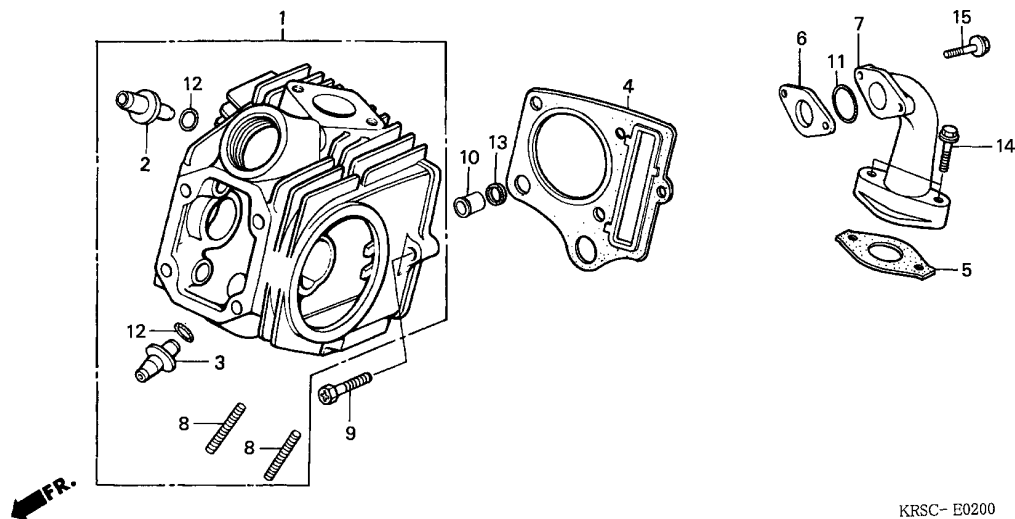
D 1



Service item	F.R.T.
PLUG, SPARK, 56	0.1
COVER, L. CYLINDER HEAD SIDE .	0.2
COVER, CYLINDER HEAD	0.3
.COVER, R. CYLINDER HEAD SIDE	

Ref. No.	Part No.	Description	Reqd. QTY NF100MSH 3	Serial No.	Parts catalogue code
1	12301-KRS-830	COVER, CYLINDER HEAD	1		
2	12331-KRS-830	COVER, R. CYLINDER HEAD SIDE	1		
3	12341-KRS-830	COVER, L. CYLINDER HEAD SIDE	1		
4	12361-KRS-830	CAP, TAPPET ADJUSTING HOLE ..	2		
5	12391-KRS-830	GASKET, CYLINDER HEAD COVER .	1		
6	12394-KRS-830	GASKET, R. CYLINDER HEAD SIDE COVER	1		
7	12395-KRS-830	GASKET, L. CYLINDER HEAD SIDE COVER	1		
8	31916-KEJ-850	PLUG, SPARK, 56	1		
	31917-GCC-000	PLUG, SPARK, 57	(1)		
9	90201-KRS-830	NUT, CAP, 7MM	4		
10	90442-KRS-830	WASHER, SEALING, 7MM	3		
11	90443-KRS-830	WASHER A, SEALING, 7MM	1		
12	90461-KRS-830	WASHER, SEALING, 12MM	1		
13	91302-KRS-830	O-RING, 30.8X3	2		
14	95701-06110-00	BOLT, FLANGE, 6X110	1		
15	96001-06020-00	BOLT, FLANGE, 6X20	2		

2



Service item	F.R.T.
INSULATOR, CARBURETOR	0.2
BOLT, STUD, 6X32	0.3
(ADD 0.1 FOR EACH.)	
PIPE, IN.	
GASKET ASSY., CYLINDER HEAD ..	1.1
GUIDE, VALVE	1.8
(INC. REAMING)	
(ADD 0.3 FOR EACH.)	
(EXC. VALVE REFACING)	
(ADD MORE 0.2 IF PERFORMED.)	
HEAD COMP., CYLINDER	

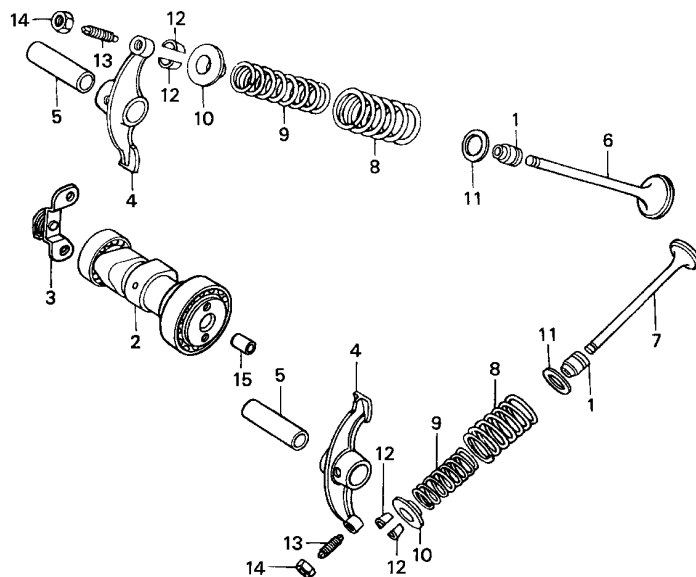
Ref. No.	Part No.	Description	Reqd. QTY NF100MSH 3	Serial No.	Parts catalogue code
1	12200-KRS-730	HEAD COMP., CYLINDER	1		
2	12237-KRS-305	GUIDE, IN. VALVE (O.S.)	1		
3	12245-KRS-305	GUIDE, EX. VALVE (O.S.)	1		
4	12250-KFJ-910	GASKET ASSY., CYLINDER HEAD ..	1		
5	16201-KRS-830	GASKET, INSULATOR	1		
6	16211-KRS-830	INSULATOR, CARBURETOR	1		
7	17111-KRS-830	PIPE, IN.	1		
8	90033-041-020	BOLT, STUD, 6X32	2		
9	90082-KRS-830	BOLT, HS, 6MM	1		
10	90602-KRS-830	COLLAR, 9.5MM	1		
11	91304-KRS-830	O-RING, 25X2.4	1		
12	91305-KRS-830	O-RING, 9X1.6	2		
13	91306-KRS-830	GASKET, RUBBER, 9MM	1		
14	96001-06025-00	BOLT, FLANGE, 6X25	2		
15	96001-06028-00	BOLT, FLANGE, 6X28	2		



E-3

CAMSHAFT/VALVE

D 3



KRSC- E0300

Service item	F.R.T.
ARM, VALVE ROCKER	1.3
(SAME TIME FOR TWO UNITS)	
CAMSHAFT COMP.	
SPRING, VALVE	1.4
(ADD 0.1 FOR EACH.)	
(INC. RELATIVE PART)	
VALVE	1.6
(ADD 0.2 FOR EACH.)	
(INC. REFACING)	
(EXC. VALVE GUIDE REPLACEMENT)	

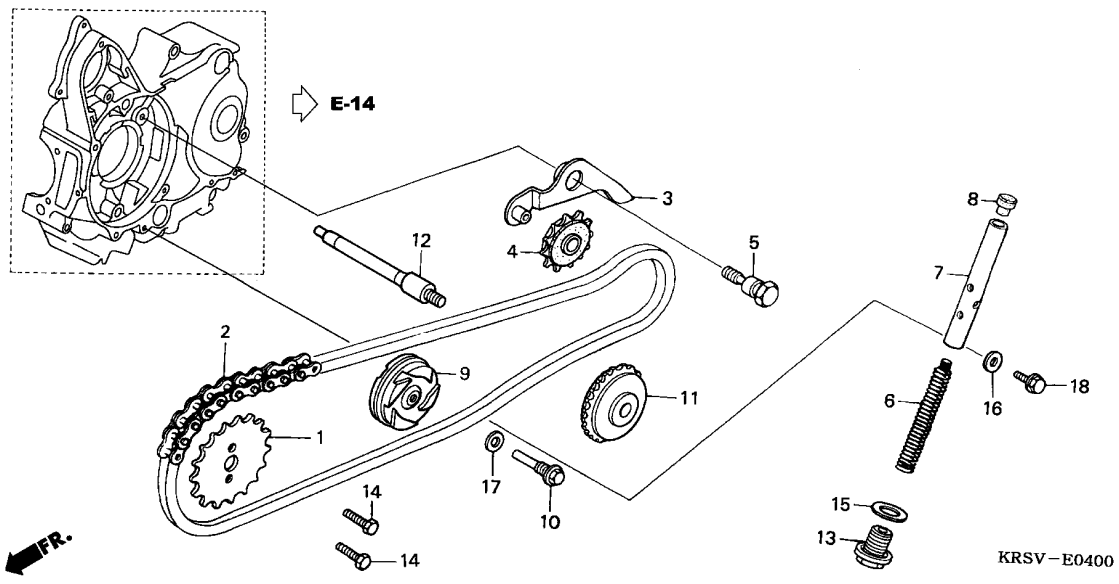
Ref. No.	Part No.	Description	Reqd. QTY NF100MSH 3	Serial No.	Parts catalogue code
1	12209-KRS-830	SEAL, VALVE STEM	2		
2	14100-KRS-830	CAMSHAFT COMP.	1		
3	14150-KRS-830	PLATE COMP., STOPPER	1		
4	14431-KRS-830	ARM, VALVE ROCKER	2		
5	14451-KRS-830	SHAFT, ROCKER ARM	2		
6	14711-KRS-830	VALVE, IN.	1		
7	14721-KRS-830	VALVE, EX.	1		
8	14751-KRS-830	SPRING, VALVE OUTER	2		
9	14761-KRS-830	SPRING, VALVE INNER	2		
10	14771-KRS-830	RETAINER, VALVE SPRING	2		
11	14775-KRS-830	SEAT, VALVE SPRING OUTER	2		
12	14781-KRS-830	COTTER, VALVE	4		
13	90012-KRS-830	SCREW, TAPPET ADJUSTING	2		
14	90206-KRS-830	NUT, TAPPET ADJUSTING	2		
15	90702-KRS-830	DOWEL PIN, 8X12	1		

2

E-4

CAM CHAIN/TENSIONER

D 4



Service item	F.R.T.
ROD COMP., TENSIONER PUSH	0.3
SPROCKET, CAM	0.6
ARM COMP., CAM CHAIN TENSIONER	0.7
ROLLER, CAM CHAIN TENSIONER	
ROLLER COMP., CAM CHAIN GUIDE	1.2
SPINDLE, CAM CHAIN GUIDE	
SPROCKET	1.7
SPROCKET COMP., CAM CHAIN	
GUIDE	
CHAIN, CAM	1.9

Ref. No.	Part No.	Description	Reqd. QTY	Serial No.	Parts catalogue code
			NF100MSH 3		
1	14321-KRS-830	SPROCKET, CAM (28T)	1		
2	14401-KRS-830	CHAIN, CAM (84L)	1		
3	14500-KRS-830	ARM COMP., CAM CHAIN TENSIONER	1		
4	14505-KRS-830	ROLLER, CAM CHAIN TENSIONER	1		
5	14531-KRS-830	PIVOT, CAM CHAIN TENSIONER	1		
6	14541-KRS-830	SPRING, TENSIONER	1		
7	14550-KRS-830	ROD COMP., TENSIONER PUSH	1		
8	14566-KRS-830	HEAD, TENSIONER PUSH ROD	1		
9	14610-KRS-830	ROLLER COMP., CAM CHAIN GUIDE	1		
10	14615-KRS-830	PIN, GUIDE ROLLER	1		
11	14670-KRS-830	SPROCKET COMP., CAM CHAIN GUIDE (25T)	1		
12	14675-KRS-830	SPINDLE, CAM CHAIN GUIDE	1		
13	90081-KRS-830	BOLT, SEALING, 14MM	1		
14	90083-KRS-830	BOLT, KNOCK, 5MM	2		
15	90441-KRS-830	WASHER, SEALING, 14MM	1		
16	90461-KRS-830	WASHER, SEALING, 12MM	1		
17	90481-KRS-830	WASHER, 8MM	1		
18	95701-06018-00	BOLT, FLANGE, 6X18	1		

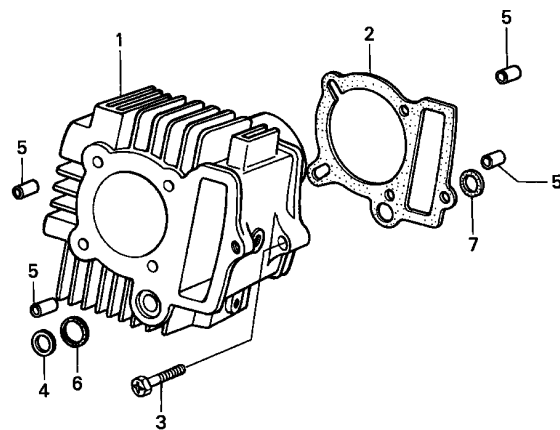
2

E-5

CYLINDER

D 5

Service item	F.R.T.
GASKET, CYLINDER	1.3
CYLINDER	1.4



KEVW-E0500

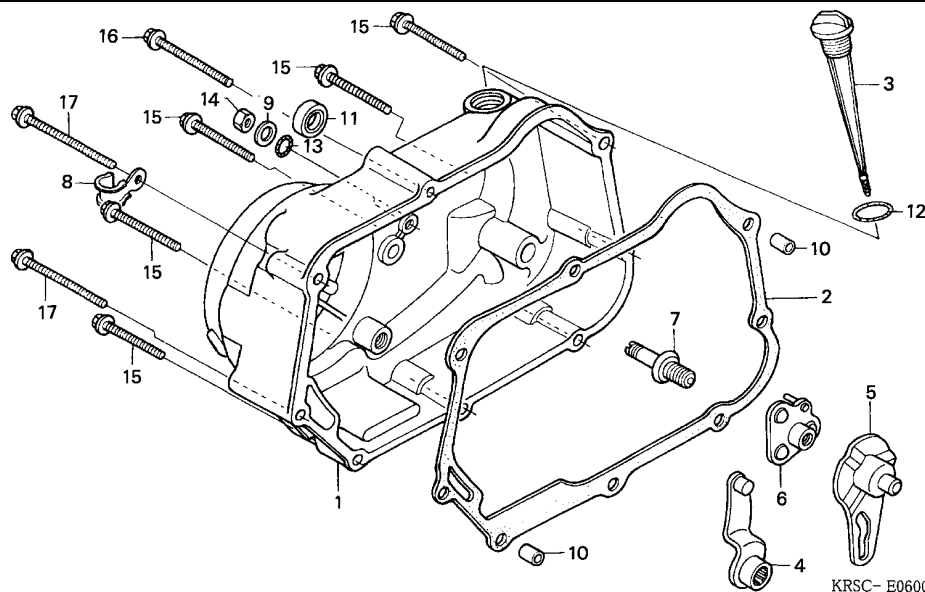
Ref. No.	Part No.	Description	Reqd. QTY NF100MSH 3	Serial No.	Parts catalogue code
1	12101-KRS-830	CYLINDER	1		
2	12191-KRS-830	GASKET, CYLINDER	1		
3	90082-KRS-830	BOLT, HS, 6MM	1		
4	90603-KRS-830	COLLAR, 14.8MM	1		
5	90701-KRS-830	DOWEL PIN, SPECIAL, 8X14	4		
6	91303-KRS-830	PACKING, RUBBER, 16MM	1		
7	91311-KRS-830	O-RING, 14.5MM	1		

2

E-6

RIGHT CRANKCASE COVER

D 6



Service item	F.R.T.
GASKET, R. CRANKCASE COVER ...	0.6
.OIL SEAL, 13.8X24X5	
.PLATE, CLUTCH LIFTER CAM	
LEVER COMP., CLUTCH	0.7
(INC. RELATIVE PART)	
.LIFTER COMP., CLUTCH	
(INC. RELATIVE PART)	
COVER COMP., R. CRANKCASE	0.8

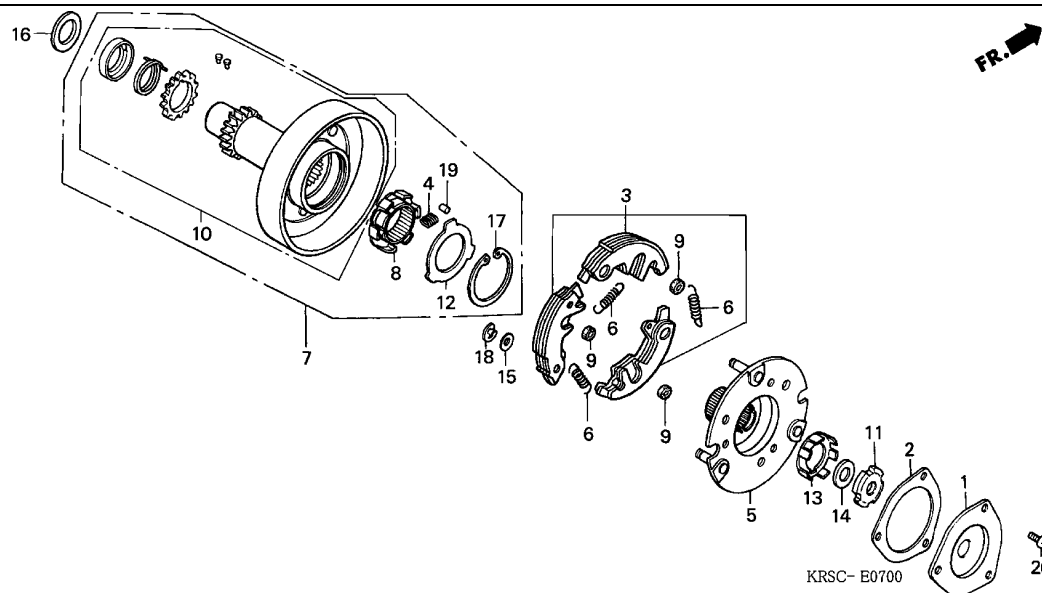
Ref. No.	Part No.	Description	Reqd. QTY NF100MSH 3	Serial No.	Parts catalogue code
1	11330-KRS-830	COVER COMP., R. CRANKCASE ...	1		
2	11394-KRS-830	GASKET, R. CRANKCASE COVER ..	1		
3	15651-KRS-830	GAUGE, OIL LEVEL	1		
4	22810-KRS-830	LEVER COMP., CLUTCH	1		
5	22823-KRS-830	PLATE, CLUTCH LIFTER CAM	1		
6	22840-KRS-830	LIFTER COMP., CLUTCH	1		
7	22846-KRS-830	BOLT, CLUTCH ADJUSTING	1		
8	32921-KRS-830	CLIP, DYNAMO CORD	1		
9	90485-KRS-830	WASHER, 8MM	1		
10	90702-KRS-830	DOWEL PIN, 8X12	2		
11	91202-KRS-830	OIL SEAL, 13.8X24X5	1		
12	91307-KRS-830	O-RING, 18X3	1		
13	91312-KRS-830	O-RING, 8MM	1		
14	94030-08000	NUT, HEX., 8MM	1		
15	96001-06040-00	BOLT, FLANGE, 6X40	5		
16	96001-06065-00	BOLT, FLANGE, 6X65	1		
17	96001-06080-00	BOLT, FLANGE, 6X80	2		

2

E-7

ONE WAY CLUTCH

D 7

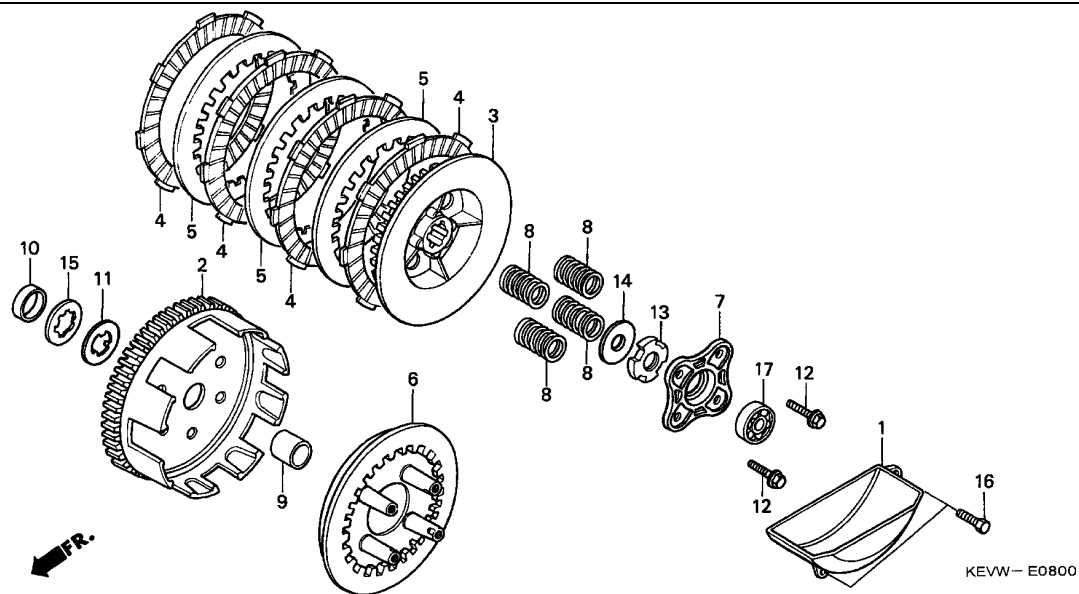


Service item	F.R.T.
COVER, OIL FILTER	0.7
INNER COMP., ONE-WAY CLUTCH ..	1.0
(INC. RELATIVE PART)	
OUTER ASSY., PRIMARY CLUTCH	
PLATE COMP., PRIMARY DRIVE	
WEIGHT SET, CLUTCH	
(SAME TIME FOR TWO	
UNITS OR MORE)	
GEAR COMP., PRIMARY DRIVE	1.1
(INC. RELATIVE PART)	

KRSC- E0700

Ref. No.	Part No.	Description	Reqd. QTY	Serial No.	Parts catalogue code
			NF100MSH 3		
1	15431-KRS-830	COVER, OIL FILTER	1		
2	15439-KRS-830	GASKET, OIL FILTER	1		
3	22535-KRS-730	WEIGHT SET, CLUTCH	1		
4	22606-KRS-830	SPRING, ONE WAY RETAINER	6		
5	22610-KRS-730	PLATE COMP., PRIMARY DRIVE ..	1		
6	22641-GN8-920	SPRING, PRIMARY CLUTCH	3		
7	22660-KRS-830	OUTER ASSY., PRIMARY CLUTCH ..	1		
8	22670-KRS-830	INNER COMP., ONE-WAY CLUTCH ..	1		
9	22804-GB2-000	RUBBER, CLUTCH DAMPER	3		
10	23120-KRS-830	GEAR COMP., PRIMARY DRIVE	1		
11	90232-KRS-830	NUT B, LOCK, 14MM	1		
12	90401-KRS-830	WASHER, 30X45X0.8	1		
13	90431-KRS-830	WASHER, LOCK	1		
14	90432-KRS-830	WASHER B, LOCK	1		
15	90442-GN5-910	WASHER, THRUST, 8MM	3		
16	90453-KRS-830	WASHER, THRUST, 19X28X1.5	1		
17	90455-KRS-830	CIRCLIP, INTERNAL, 45MM	1		
18	90605-166-720	CIRCLIP, 7MM	3		
19	91106-KRS-830	ROLLER, 5X8	6		
20	93500-05008-0A	SCREW, PAN, 5X8	3		

2



Service item	F.R.T.
BEARING, RADIAL BALL, 6000 ...	0.7
OUTER COMP., CLUTCH	1.0
.PLATE, CLUTCH LIFTER	
.PLATE, OIL SEPARATOR	
.SPRING, CLUTCH	
(SAME TIME FOR TWO UNITS OR MORE)	
CENTER COMP., CLUTCH	1.2
.DISK, CLUTCH FRICTION	
(INC. RELATIVE PART)	
(SAME TIME FOR TWO UNITS OR MORE)	
.PLATE, CLUTCH PRESSURE	

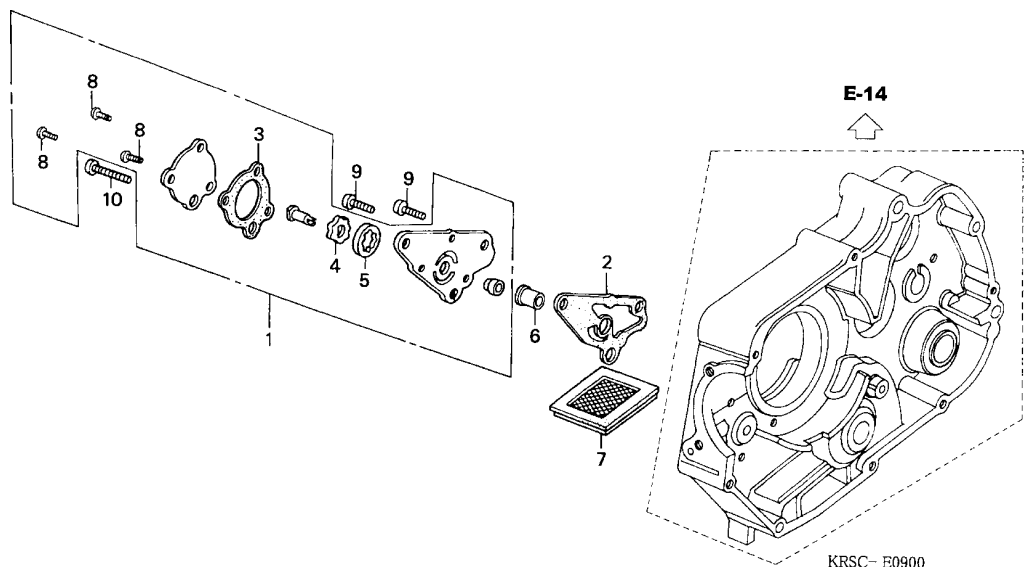
Ref. No.	Part No.	Description	Reqd. QTY NF100MSH 3	Serial No.	Parts catalogue code
1	15661-KRS-830	PLATE, OIL SEPARATOR	1		
2	22110-KEV-880	OUTER COMP., CLUTCH	1		
3	22120-GN5-910	CENTER COMP., CLUTCH	1		
4	22201-KRS-730	DISK, CLUTCH FRICTION	4		
5	22311-107-000	PLATE, CLUTCH	3		
6	22350-115-020	PLATE, CLUTCH PRESSURE	1		
7	22361-GN8-920	PLATE, CLUTCH LIFTER	1		
8	22401-KRS-730	SPRING, CLUTCH	4		
9	23112-KRS-830	COLLAR, CLUTCH CENTER	1		
10	23216-KRS-830	COLLAR, DISTANCE	1		
11	23217-KRS-830	SET RING, 17MM	1		
12	90050-357-000	BOLT, SPECIAL FLANGE, 6X22 ..	4		
13	90231-KRS-830	NUT, LOCK, 14MM	1		
14	90432-KRS-830	WASHER B, LOCK	1		
15	90462-KRS-830	WASHER B, SPLINE, 17MM	1		
16	92101-06020-0A	BOLT, HEX., 6X20	2		
17	96100-60000-00	BEARING, RADIAL BALL, 6000 ..	1		



E-9

OIL PUMP

D 9



Service item	F.R.T.
SCREEN, OIL FILTER	0.6
PUMP ASSY., OIL	1.2
(INC. RELATIVE PART)	

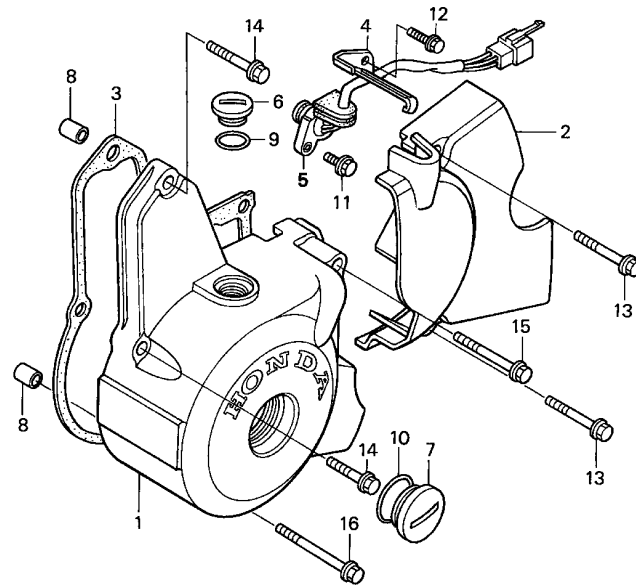
Ref. No.	Part No.	Description	Reqd. QTY NF100MSH 3	Serial No.	Parts catalogue code
1	15100-KRS-830	PUMP ASSY., OIL	1		
2	15119-KRS-830	GASKET, OIL PUMP BODY	1		
3	15329-KRS-830	GASKET, OIL PUMP COVER	1		
4	15331-KRS-830	ROTOR, OIL PUMP INNER	1		
5	15332-KRS-830	ROTOR, OIL PUMP OUTER	1		
6	15384-KRS-830	PIVOT, OIL PUMP	1		
7	15421-KRS-830	SCREEN, OIL FILTER	1		
8	93500-05010-0A	SCREW, PAN, 5X10	3		
9	93500-06016-0A	SCREW, PAN, 6X16	2		
10	93500-06022-0A	SCREW, PAN, 6X22	1		

2

E-10

LEFT CRANKCASE COVER

D10

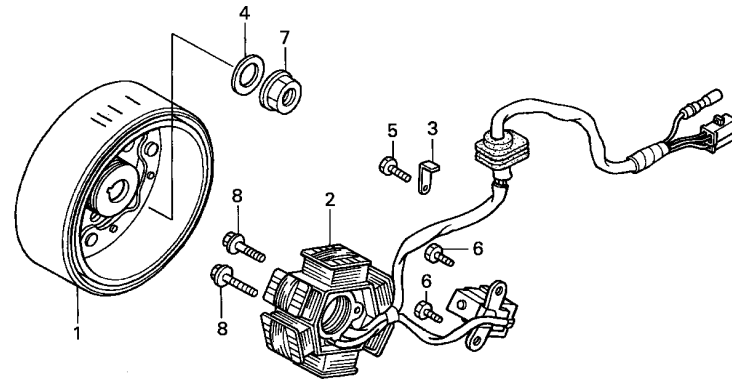


KRSC- E1000

Service item	F.R.T.
COVER, L. RR. CRANKCASE	0.1
GASKET, L. CRANKCASE COVER ...	0.3
COVER, L. CRANKCASE	0.4
SWITCH ASSY., CHANGE	0.5

Ref. No.	Part No.	Description	Reqd. QTY NF100MSH 3	Serial No.	Parts catalogue code
1	11341-KRS-830	COVER, L. CRANKCASE	1		
2	11360-KRS-830	COVER, L. RR. CRANKCASE	1		
3	11395-KRS-830	GASKET, L. CRANKCASE COVER ..	1		
4	32961-KRS-830	CLAMPER, A.C. GENERATOR CORD	1		
5	35759-KRS-830	SWITCH ASSY., CHANGE	1		
6	90084-KRS-830	CAP, A.C. GENERATOR	1		
7	90087-KRS-830	CAP, 30MM	1		
8	90702-KRS-830	DOWEL PIN, 8X12	2		
9	91308-KRS-830	O-RING, 13.8X2.5	1		
10	91309-KRS-830	O-RING, 27X2	1		
11	96001-06012-00	BOLT, FLANGE, 6X12	1		
12	96001-06016-00	BOLT, FLANGE, 6X16	1		
13	96001-06028-00	BOLT, FLANGE, 6X28	2		
14	96001-06032-00	BOLT, FLANGE, 6X32	2		
15	96001-06050-00	BOLT, FLANGE, 6X50	1		
16	96001-06070-00	BOLT, FLANGE, 6X70	1		

2

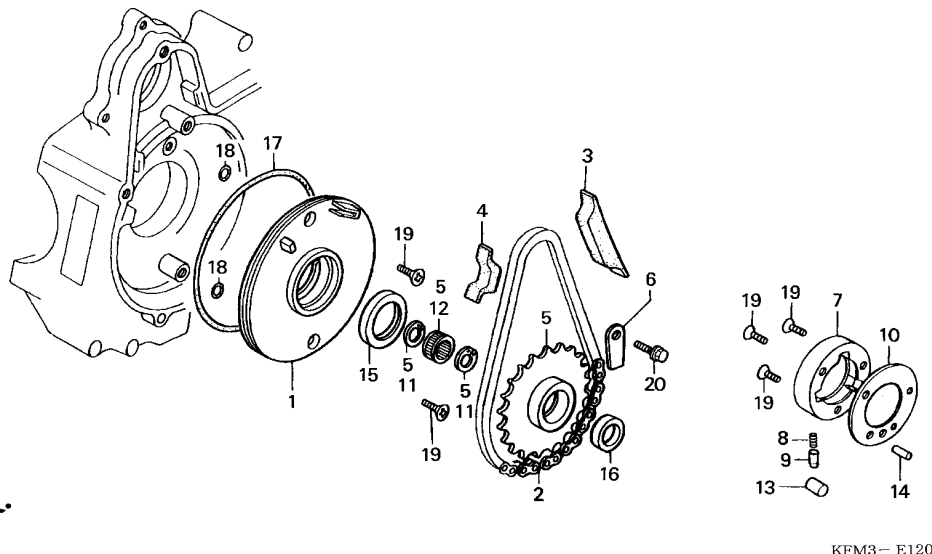


←FR.

KFV3-E1100

Service item	F.R.T.
STATOR COMP.	0.6
FLYWHEEL COMP.	0.7

Ref. No.	Part No.	Description	Reqd. QTY NF100MSH 3	Serial No.	Parts catalogue code
1	31110-KRS-830	FLYWHEEL COMP.	1		
2	31120-KRS-830	STATOR COMP.	1		
3	31141-KRS-830	CLAMPER, GENERATOR CORD	1		
4	90410-KRS-830	WASHER, 10MM	1		
5	93301-05006-0H	BOLT, HEX., 5X6	1		
6	93301-05010-0H	BOLT, HEX., 5X10	2		
7	94050-10000	NUT, FLANGE, 10MM	1		
8	96001-06022-00	BOLT, FLANGE, 6X22	2		



Service item	F.R.T.
GUIDE, STARTER CHAIN	0.3
CHAIN, STARTING	0.5
.O-RING, 107X2	
.OIL SEAL, 18.9X30X5	
.OIL SEAL, 30X42X4.5	
.ROLLER, 10X10	
(SAME TIME FOR TWO UNITS OR MORE)	
PLATE, OIL SEPARATE	0.6
.SPROCKET COMP., STARTING	
OUTER, STARTING CLUTCH	0.7

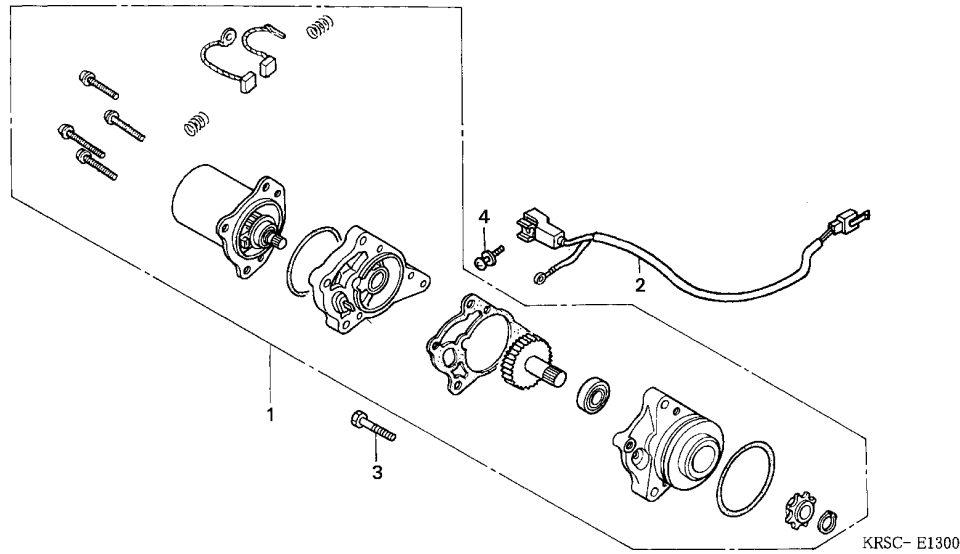
Ref. No.	Part No.	Description	Reqd. QTY	Serial No.	Parts catalogue code
			NF100MSH 3		
1	11321-KRS-830	PLATE, OIL SEPARATE	1		
2	28101-KRS-830	CHAIN, STARTING (62L)	1		
3	28102-KRS-830	GUIDE, STARTER CHAIN	1		
4	28103-KRS-830	PROTECTOR, STARTER CHAIN	1		
5	28110-KRS-830	SPROCKET COMP., STARTING (41T)	1		
6	28117-KRS-830	PLATE, STARTING SPROCKET			
		SETTING	1		
7	28120-KRS-830	OUTER, STARTING CLUTCH	1		
8	28125-KRS-830	SPRING, STARTING CLUTCH ROLLER	3		
9	28126-KRS-830	CAP, STARTING CLUTCH ROLLER			
		SPRING	3		
10	28128-KRS-830	PLATE, STARTING CLUTCH SIDE ..	1		
11	90467-KRS-830	CIRCLIP, INTERNAL, 23MM	2		
12	91005-KRS-830	BEARING, NEEDLE, 19X23X13 ...	1		
13	91101-KRS-830	ROLLER, 10X10	3		
14	91107-KRS-830	ROLLER, 5X11.8	1		
15	91201-KRS-830	OIL SEAL, 30X42X4.5	1		
16	91212-KRS-830	OIL SEAL, 18.9X30X5	1		
17	91301-KRS-830	O-RING, 107X2	1		
18	91317-KRS-830	O-RING, 6X1.7	2		
19	93600-06016-0A	SCREW, FLAT, 6X16	5		
20	96001-06010-00	BOLT, FLANGE, 6X10	1		



E-13

STARTING MOTOR

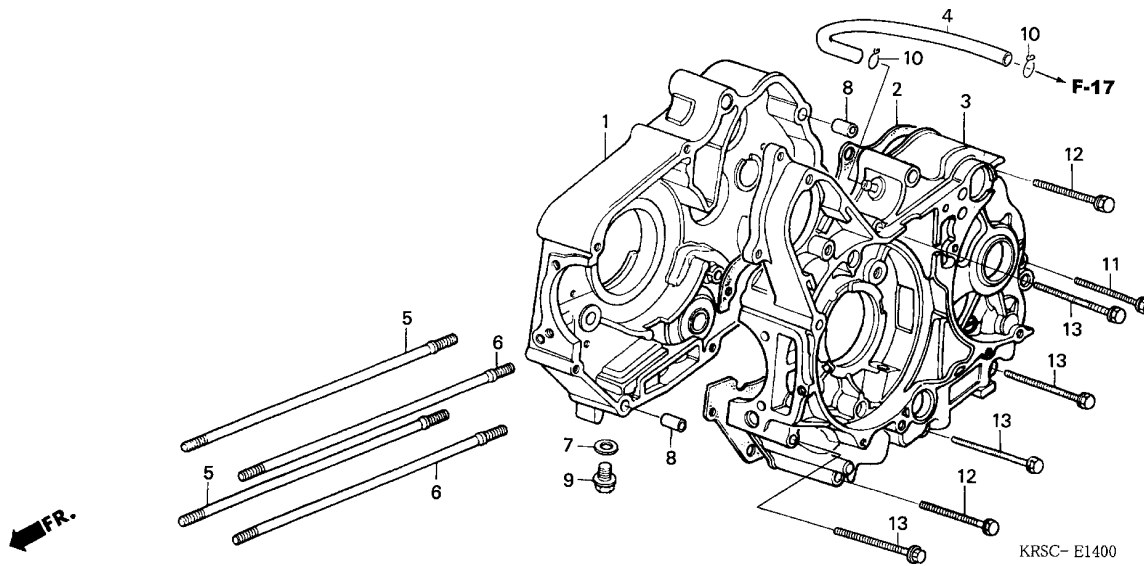
D13



Service item	F.R.T.
SUB HARNESS A	0.4
MOTOR UNIT, STARTING	0.7

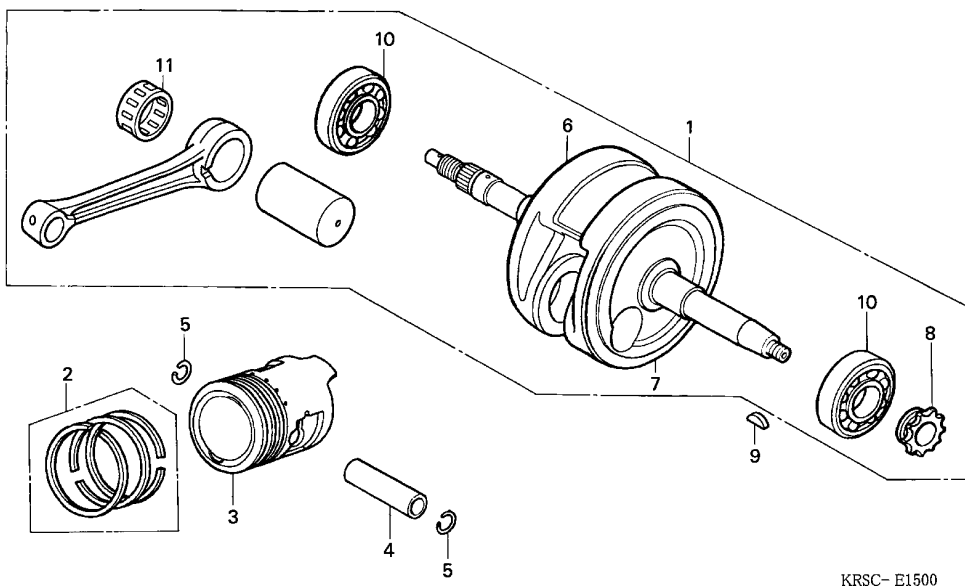
Ref. No.	Part No.	Description	Reqd. QTY NF100MSH 3	Serial No.	Parts catalogue code
1	31210-KRS-830	MOTOR UNIT, STARTING	1		
2	32410-KRS-830	SUB HARNESS A	1		
3	92101-06045-0A	BOLT, HEX., 6X45	3		
4	93892-04006-08	SCREW-WASHER, 4X6	1		

2



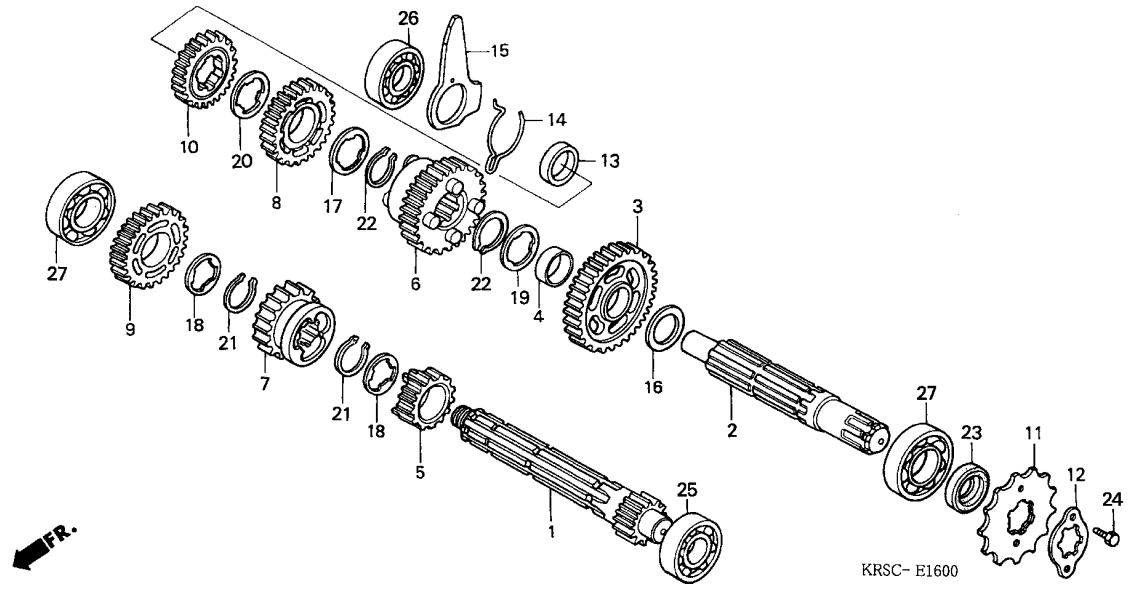
Service item	F.R.T.
BOLT, CYLINDER STUD	1.3
(ADD 0.1 FOR EACH.)	
GASKET, CRANKCASE	*3.9
CRANKCASE COMP., R.	*4.3
CRANKCASE COMP., L.	*4.9

Ref. No.	Part No.	Description	Reqd. QTY NF100MSH 3	Serial No.	Parts catalogue code
1	11100-KRS-830	CRANKCASE COMP., R.	1		
2	11191-KRS-830	GASKET, CRANKCASE	1		
3	11200-KRS-830	CRANKCASE COMP., L.	1		
4	15761-KRS-830	TUBE, BREATHER	1		
5	90031-KRS-830	BOLT A, CYLINDER STUD (6X198)	2		
6	90032-KRS-830	BOLT B, CYLINDER STUD (6X205)	2		
7	90407-KRS-830	PACKING, DRAIN COCK	1		
8	90703-KRS-830	DOWEL PIN, 10X14	2		
9	92800-12000	BOLT, DRAIN PLUG, 12MM	1		
10	95002-02130	CLIP, TUBE (B12.5)	2		
11	96001-06050-00	BOLT, FLANGE, 6X50	1		
12	96001-06060-00	BOLT, FLANGE, 6X60	2		
13	96001-06065-00	BOLT, FLANGE, 6X65	4		



Service item	F.R.T.
PIN, PISTON	1.4
PISTON	1.5
.RING SET, PISTON	
CRANKSHAFT COMP.	*4.3
BEARING, RADIAL BALL, 6304 ...	*4.5
(ADD 0.2 FOR EACH.)	

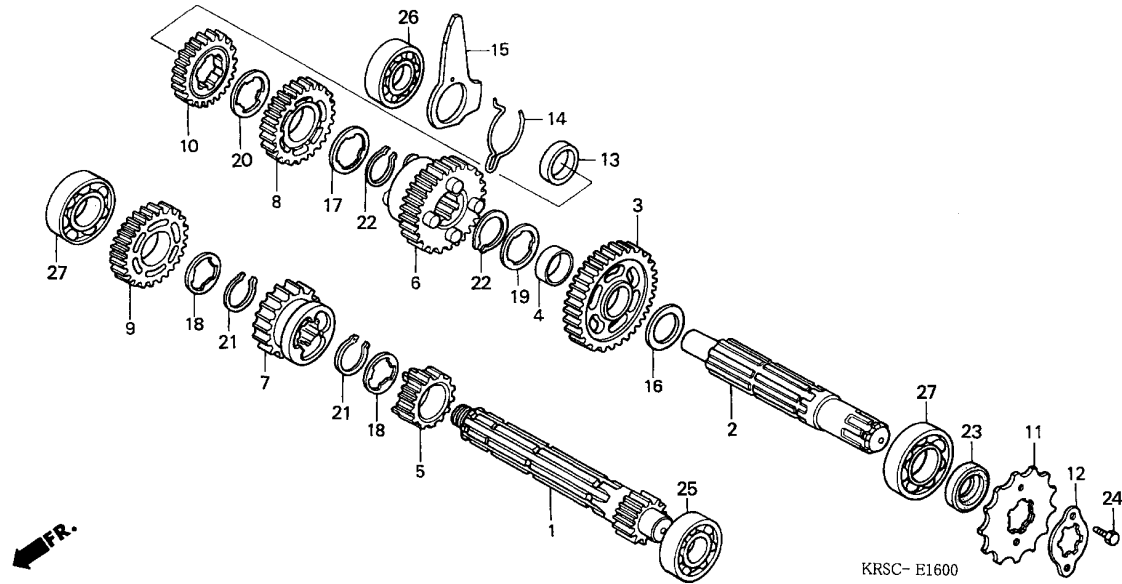
Ref. No.	Part No.	Description	Reqd. QTY	Serial No.	Parts catalogue code
			NF100MSH 3		
1	13000-KRS-830	CRANKSHAFT COMP.	1		
2	13011-KRS-730	RING SET, PISTON (STD.)	1		
	13021-KRS-730	RING SET, PISTON (0.25)	(1)		
	13031-KRS-730	RING SET, PISTON (0.50)	(1)		
	13041-KRS-730	RING SET, PISTON (0.75)	(1)		
	13051-KRS-730	RING SET, PISTON (1.00)	(1)		
3	13101-KRS-830	PISTON	1		
	13102-KRS-305	PISTON (0.25)	(1)		
	13103-KRS-305	PISTON (0.50)	(1)		
	13104-KRS-305	PISTON (0.75)	(1)		
	13105-KRS-305	PISTON (1.00)	(1)		
4	13111-KRS-830	PIN, PISTON	1		
5	13115-KRS-830	CLIP, PISTON PIN	2		
6	13310-KRS-830	CRANKSHAFT COMP., R.	1		
7	13321-KRS-830	CRANKSHAFT, L.	1		
8	14311-KRS-830	SPROCKET, TIMING (17T)	1		
9	90741-KRS-830	KEY, WOODRUFF, 4MM	1		
10	91001-KRS-830	BEARING, RADIAL BALL, 6304 ..	2		
11	91101-GF6-300	BEARING, CONNECTING ROD	1		
	91102-GF6-300	1		
	91103-GF6-300	1		



Service item	F.R.T.
SPROCKET, DRIVE	0.2
COUNTERSHAFT	*4.1
(INC. RELATIVE PART)	
MAINSHAFT	
(INC. RELATIVE PART)	
(WHEN SERVICING COMP., UNIT,	
F.R.T. IS 4.3)	

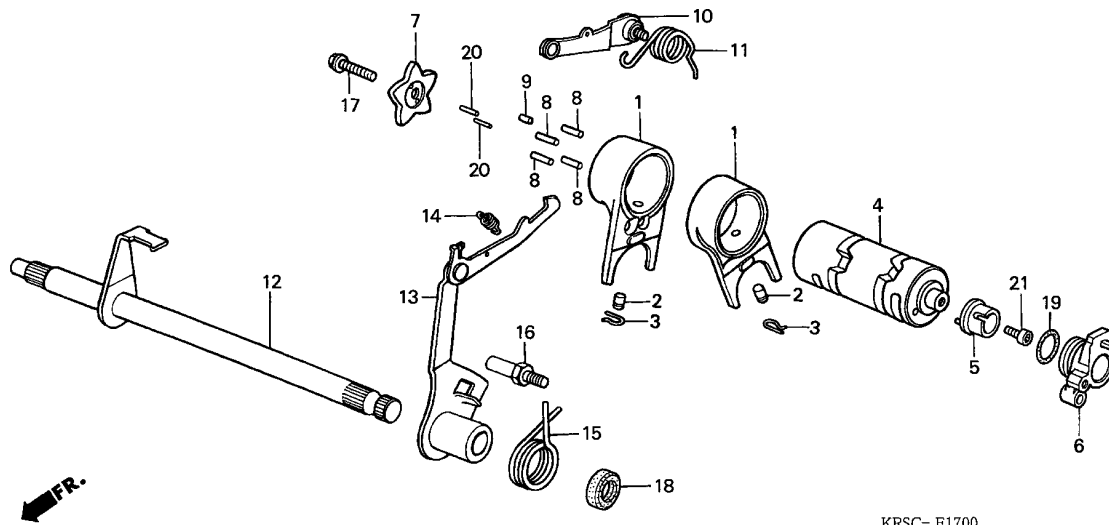
Ref. No.	Part No.	Description	Reqd. QTY NF100MSH 3	Serial No.	Parts catalogue code
1	23211-KRS-830	MAINSHAFT (12T)	1		
2	23221-KRS-830	COUNTERSHAFT	1		
3	23421-KRS-830	GEAR, COUNTERSHAFT FIRST (34T)	1		
4	23422-KRS-830	BUSH, 20X9	1		
5	23431-KRS-830	GEAR, MAINSHAFT SECOND (17T)	1		
6	23441-KRS-830	GEAR, COUNTERSHAFT SECOND (29T)	1		
7	23451-KRS-830	GEAR, MAINSHAFT THIRD (21T) -	1		
8	23461-KRS-830	GEAR, COUNTERSHAFT THIRD (26T)	1		
9	23471-KRS-830	GEAR, MAINSHAFT FIFTH (24T) -	1		
10	23481-KRS-830	GEAR, COUNTERSHAFT FOURTH (23T)	1		
11	23801-KRS-830	SPROCKET, DRIVE (14T)	1		
12	23802-KRS-830	PLATE, FIXING	1		
13	23911-KRS-830	COLLAR, LOCK PLATE	1		
14	24305-KRS-830	SPRING, GEARSHIFT FRICTION ..	1		
15	24306-KRS-830	PLATE, DRUM LOCK	1		
16	90452-KRS-830	WASHER, THRUST, 17MM	1		
17	90463-KRS-830	WASHER B, SPLINE, 20MM	1		
18	90464-KRS-830	WASHER, SPLINE, 17MM	2		
19	90465-KRS-830	WASHER A, SPLINE, 20MM	1		
20	90466-KRS-830	WASHER C, SPLINE, 20MM	1		
21	90601-KRS-830	CIRCLIP, 17MM	2		
22	90604-KRS-830	CIRCLIP, 20MM	2		
23	91203-KRS-830	OIL SEAL, 17X29X5	1		





KRSC- E1600

Ref. No.	Part No.	Description	Reqd. QTY	Serial No.	Parts catalogue code
			NF100MSH		
			3		
24	92101-06010-0A	BOLT, HEX., 6X10	2		
25	96100-60010-00	BEARING, RADIAL BALL, 6001 ..	1		
26	96100-62010-00	BEARING, RADIAL BALL, 6201 ..	1		
27	96100-62030-00	BEARING, RADIAL BALL, 6203 ..	2		

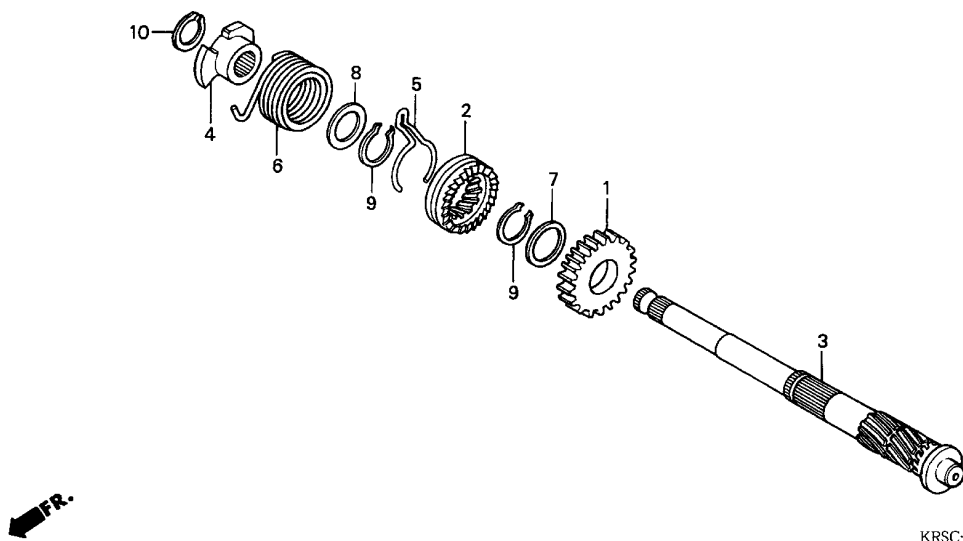


KRSC- E1700

Service item	F.R.T.
ARM COMP., SHIFT DRUM STOPPER (INC. RELATIVE PART)	1.1
.PLATE, GEARSHIFT DRUM STOPPER	
ARM COMP., GEARSHIFT	1.2
(INC. RELATIVE PART)	
.SPINDLE COMP., GEARSHIFT	
DRUM, GEARSHIFT	*4.1
.FORK, GEARSHIFT	
(SAME TIME FOR TWO UNITS OR MORE)	

Ref. No.	Part No.	Description	Reqd. QTY NF100MSH 3	Serial No.	Parts catalogue code
1	24211-KRS-830	FORK, R. GEARSHIFT	2		
2	24261-KRS-830	PIN, GEARSHIFT FORK GUIDE ...	2		
3	24263-KRS-830	CLIP, GEARSHIFT FORK GUIDE PIN	2		
4	24301-KRS-830	DRUM, GEARSHIFT	1		
5	24320-KRS-830	PIECE, CHANGE SWITCH DRIVE ..	1		
6	24322-KRS-830	COLLAR, CHANGE SWITCH	1		
7	24411-KRS-830	PLATE, GEARSHIFT DRUM STOPPER	1		
8	24421-KRS-830	PIN, GEARSHIFT DRUM	4		
9	24422-KRS-830	PIN, GEARSHIFT DRUM (8.4MM) -	1		
10	24430-KRS-830	ARM COMP., SHIFT DRUM STOPPER	1		
11	24435-KRS-830	SPRING, SHIFT DRUM STOPPER ..	1		
12	24610-KRS-830	SPINDLE COMP., GEARSHIFT	1		
13	24630-KRS-830	ARM COMP., GEARSHIFT	1		
14	24641-KRS-830	SPRING, GEARSHIFT ARM	1		
15	24651-KRS-830	SPRING, GEARSHIFT RETURN	1		
16	24652-KRS-830	PIN, SHIFT RETURN SPRING	1		
17	90071-KRS-830	BOLT, KNOCK, 6MM	1		
18	91208-KRS-830	OIL SEAL, 11.6X24X10	1		
19	91310-KRS-830	O-RING, 21.5X2	1		
20	96220-30085	ROLLER, 3X8.5	2		
21	96700-06016-10	BOLT, SOCKET, 6X16	1		

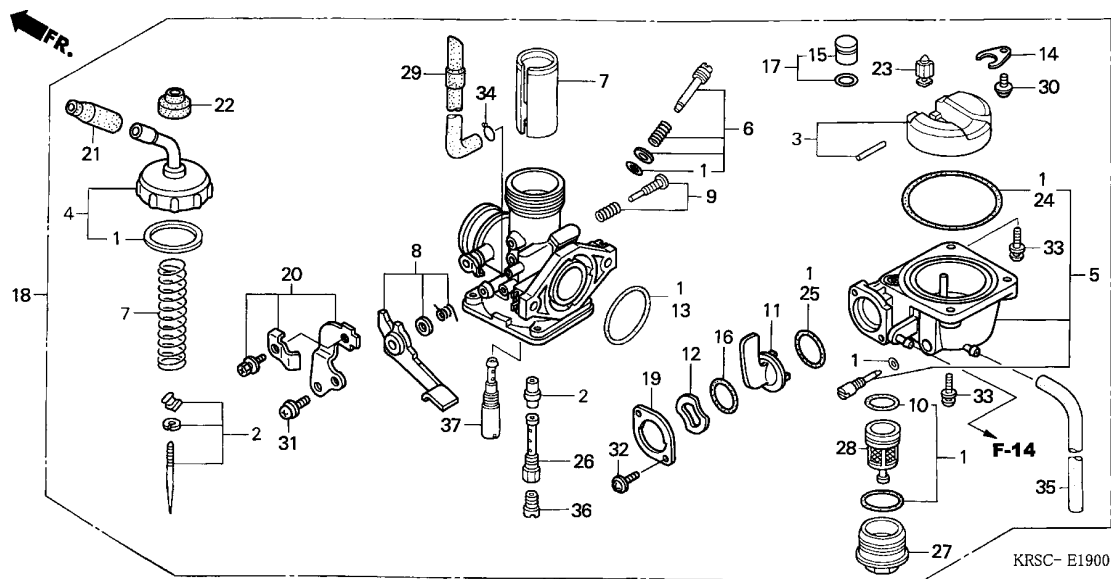




KRSC- E1800

Service item	F.R.T.
SPRING, KICK STARTER	1.1
(INC. RELATIVE PART)	
PINION, KICK STARTER	*4.0
.SPINDLE, KICK STARTER	

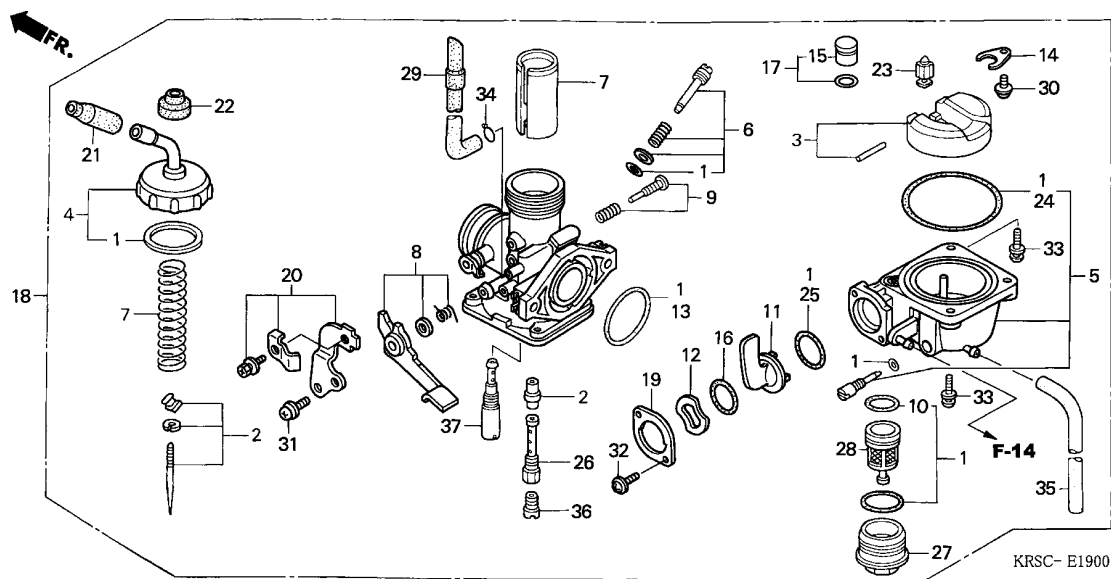
Ref. No.	Part No.	Description	Reqd. QTY NF100MSH 3	Serial No.	Parts catalogue code
1	28211-KRS-830	PINION, KICK STARTER (22T) ..	1		
2	28221-KRS-830	RATCHET, STARTER DRIVE (10T)	1		
3	28251-KRS-830	SPINDLE, KICK STARTER	1		
4	28262-KRS-830	RETAINER, KICK SPRING	1		
5	28271-KRS-830	SPRING, STARTER PINION	1		
		FRICITION	1		
6	28281-KRS-830	SPRING, KICK STARTER	1		
7	90454-KRS-830	WASHER B, THRUST, 20MM	1		
8	90456-KRS-830	WASHER, 17MM	1		
9	90605-KRS-830	SET RING, 20MM	2		
10	94510-16000	CIRCLIP, EXTERNAL, 16MM	1		



Service item	F.R.T.
TOP SET	0.2
VALVE SET, THROTTLE	0.3
CHAMBER SET, FLOAT	0.5
CARBURETOR ASSY.	0.6
.FLOAT SET	
.JET, MAIN,	
.VALVE COMP., FLOAT	
NEEDLE SET, JET	0.7

Ref. No.	Part No.	Description	Reqd. QTY NF100MSH 3	Serial No.	Parts catalogue code
1	16010-KRS-832	GASKET SET	1		
2	16012-KRS-832	NEEDLE SET, JET	1		
3	16013-KRS-832	FLOAT SET	1		
4	16014-KRS-832	TOP SET	1		
5	16015-KRS-832	CHAMBER SET, FLOAT	1		
6	16016-KRS-832	SCREW SET A	1		
7	16022-KRS-832	VALVE SET, THROTTLE	1		
8	16025-KRS-832	LEVER SET, CHOKE	1		
9	16028-KRS-832	SCREW SET B	1		
10	16040-KRS-832	GASKET, COCK	1		
11	16050-KRS-832	LEVER, COCK	1		
12	16068-KRS-832	WASHER, WAVE	1		
13	16076-KRS-832	O-RING (FLANGE)	1		
14	16090-KRS-832	PLATE, FLOATING	1		
15	16093-KRS-832	VALVE SET, FLOAT	1		
16	16094-KRS-832	PACKING, COCK	1		
17	16095-KRS-832	SEAT SET, VALVE FLOAT	1		
18	16100-KRS-730	CARBURETOR ASSY. (VM 16A) ...	1		
19	16119-KRS-832	PLATE SET, COCK	1		
20	16129-KRS-832	PLATE, STAY	1		
21	16148-KRS-832	CAP, CABLE SEALING	1		
22	16149-KRS-832	CAP, TOP	1		
23	16155-KRS-832	VALVE COMP., FLOAT	1		
24	16163-KRS-832	GASKET, FLOAT CHAMBER	1		
25	16164-KRS-832	PACKING, COCK	1		



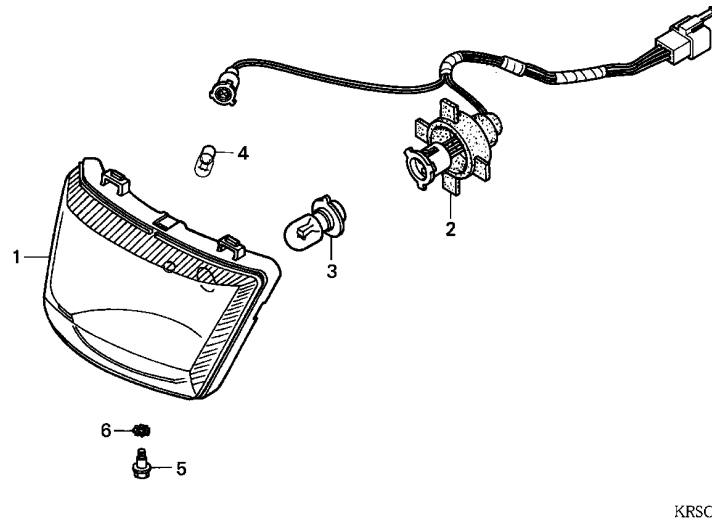


Ref. No.	Part No.	Description	Reqd. QTY NF100MSH 3	Serial No.	Parts catalogue code
26	16165-KRS-832	HOLDER, NEEDLE JET	1		
27	16175-KRS-832	CUP, FUEL STRAINER	1		
28	16176-KRS-832	SCREEN, FUEL STRAINER	1		
29	16199-KRS-832	TUBE, 4.5X8.0X440	1		
30	93500-03006-1H	SCREW, PAN, 3X6	1		
31	93500-05010-1H	SCREW, PAN, 5X10	1		
32	93892-03008-18	SCREW-WASHER, 3X8	2		
33	93892-04014-18	SCREW-WASHER, 4X14	4		
34	95002-02100	CLIP, TUBE (B10)	1		
35	95005-35280-50	TUBE, 3.5X280(95005-35001-50M)	1		
36	99131-KRS-0720	JET, MAIN, #72.5	1		
37	99133-KRS-0150	JET, SLOW, #15	1		

F-1

HEADLIGHT

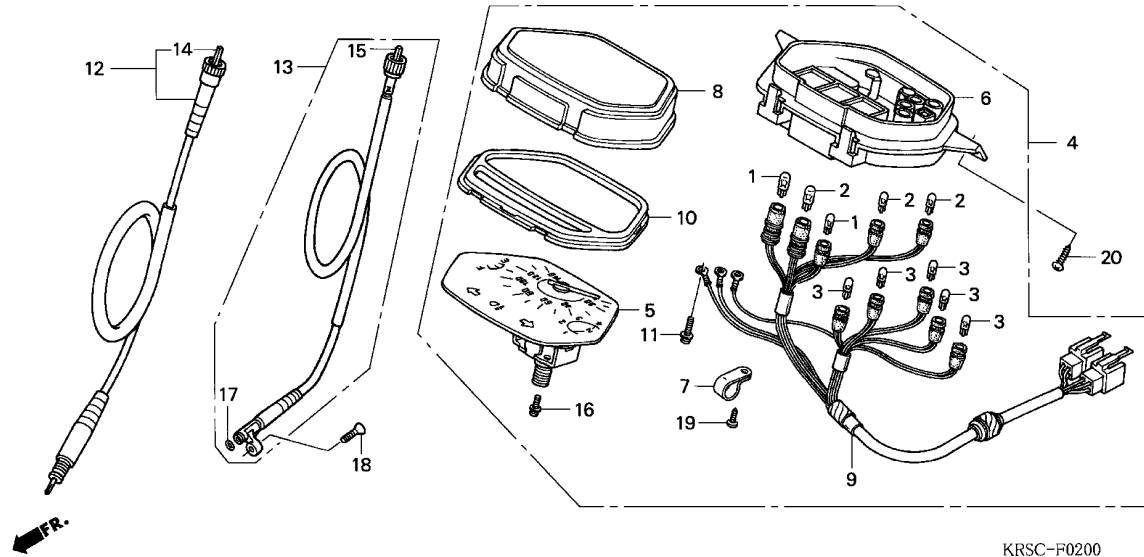
F 1



Service item	F.R.T.
BULB, HEADLIGHT	0.2
.HEADLIGHT UNIT	
.SOCKET COMP., HEADLIGHT	

Ref. No.	Part No.	Description	Reqd. QTY NF100MSH 3	Serial No.	Parts catalogue code
1	33120-KRS-730	HEADLIGHT UNIT	1		
2	33130-KRS-730	SOCKET COMP., HEADLIGHT	1		
3	34901-KCS-920	BULB, HEADLIGHT	1		
4	34908-GW3-780	BULB, WEDGE BASE (T10) (12V 3.4W)	1		
5	90101-GJ6-000	BOLT, ADJUSTING	1		
6	90307-GAZ-980	WASHER, LOCK, 6MM	1		

3



Service item	F.R.T.
CABLE COMP., INNER	0.1
CABLE COMP., SPEEDOMETER	0.3
.LENS	
.PLATE ASSY., REFLECTING	
SOCKET COMP.	0.4
.SPEEDOMETER ASSY.	
CASE ASSY.	0.5
.SPEEDOMETER COMP.	

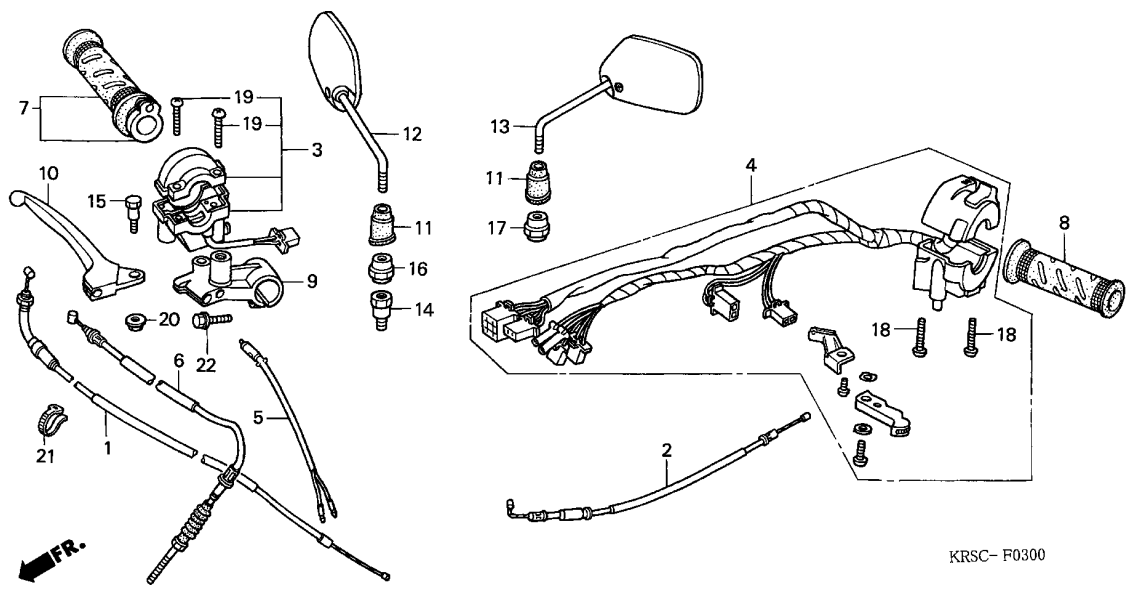
3

Ref. No.	Part No.	Description	Reqd. QTY	Serial No.	Parts catalogue code
			NF100MSH 3		
1	34908-KRS-830	BULB, WEDGE BASE (T6.5)	2		
		(12V 3.4W)			
2	34909-KRS-830	BULB, WEDGE BASE (T10)	3		
		(12V 1.7W)			
3	34918-KRS-830	BULB, WEDGE BASE (T6.5)	5		
		(12V 1.7W)			
4	37200-KRS-830	SPEEDOMETER ASSY.	1		
5	37210-KRS-830	SPEEDOMETER COMP.	1		
6	37212-KRS-830	CASE ASSY.	1		
7	37215-KRS-830	CLAMP	1		
8	37221-KRS-830	LENS	1		
9	37223-KRS-830	SOCKET COMP.	1		
10	37302-KRS-830	PLATE ASSY., REFLECTING	1		
11	37305-KRS-830	SCREW-WASHER, 3X22	3		
12	44830-KRS-830	CABLE COMP., SPEEDOMETER	1	-----	CH,2CH
13	44830-KRS-850	CABLE COMP., SPEEDOMETER	1	-----	3CH
14	44831-KRS-830	CABLE COMP., INNER	1	-----	CH,2CH
15	44831-KRS-850	CABLE COMP., INNER	1	-----	3CH
16	90035-KRS-830	SCREW-WASHER, SPECIAL	2		
17	91301-027-000	O-RING, 6.8X1.9	1	-----	3CH
18	93700-05016-0A	SCREW, OVAL, 5X16	1	-----	3CH
19	93903-24420	SCREW, TAPPING, 4X16	1		
20	93903-25310	SCREW, TAPPING, 5X16	2		

F-3

HANDLE LEVER/SWITCH/CABLE

F 3



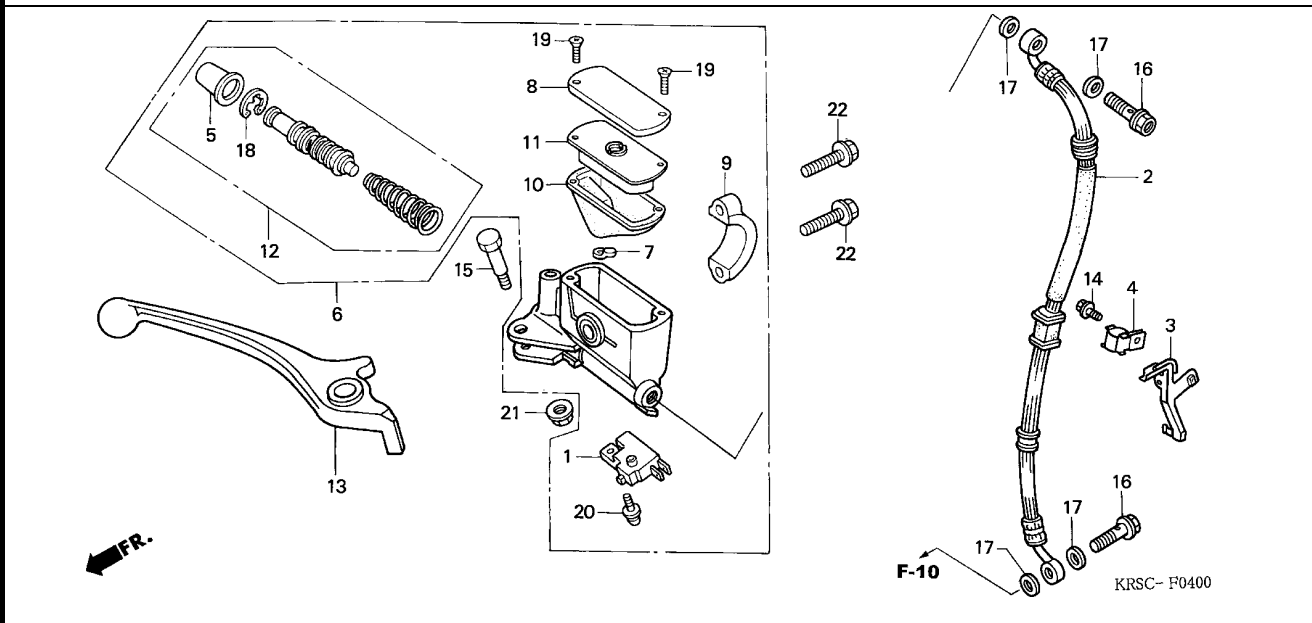
Service item	F.R.T.
GRIP, L. HANDLE	0.1
.LEVER, R. STEERING HANDLE	
GRIP COMP., THROTTLE	0.2
BRACKET, R. HANDLE LEVER	0.3
.CABLE COMP., CHOKE	
.SWITCH ASSY., FR. STOP	
CABLE COMP., FR. BRAKE	0.4
CABLE COMP., THROTTLE	0.5
.SWITCH SET, STARTER KILL	
SWITCH SET, WINKER	0.6

Ref. No.	Part No.	Description	Reqd. QTY	Serial No.	Parts catalogue code
			NF100MSH 3		
1	17910-KRS-830	CABLE COMP., THROTTLE	1		
2	17950-KRS-830	CABLE COMP., CHOKE	1		
3	35015-KRS-830	SWITCH SET, STARTER KILL	1		
4	35020-KRS-830	SWITCH SET, WINKER	1	-----	CH,2CH
	35020-KRS-850	1	-----	3CH
5	35340-KRS-830	SWITCH ASSY., FR. STOP	1	-----	CH,2CH
6	45450-KRS-830	CABLE COMP., FR. BRAKE	1	-----	CH,2CH
7	53140-KRS-830	GRIP COMP., THROTTLE	1		
8	53166-KRS-830	GRIP, L. HANDLE	1		
9	53171-KRS-830	BRACKET, R. HANDLE LEVER	1	-----	CH,2CH
10	53175-KRS-830	LEVER, R. STEERING HANDLE	1	-----	CH,2CH
11	88113-KET-900	CAP, LOCK NUT	2		
12	88210-KRS-830	MIRROR COMP., R.	1	-----	CH,2CH
	88210-KRS-850	1	-----	3CH
13	88220-KRS-830	MIRROR COMP., L.	1		
14	90003-KEV-650	BOLT, ADAPTER	1	-----	3CH
15	90115-GEO-000	BOLT, HANDLE LEVER PIVOT	1	-----	CH,2CH
16	90314-KET-900	NUT, LOCK	1	-----	3CH
	90314-KRS-830	NUT, LOCK, 10MM	1	-----	CH,2CH
17	90314-KET-900	NUT, LOCK	1		
18	93500-05020-0G	SCREW, PAN, 5X20	2		
19	93500-05025-0G	SCREW, PAN, 5X25	2		
20	94001-05000-0S	NUT, HEX., 5MM	1	-----	CH,2CH
21	95014-62100	BAND B1, WIRE	1		
22	96001-06025-07	BOLT, FLANGE, 6X25	1	-----	CH,2CH



F-4

FR. BRAKE MASTER CYLINDER



Service item	F.R.T.
DIAPHRAGM	0.1
.LEVER, R. STEERING HANDLE	
SWITCH ASSY., FR. STOP	0.2
CYLINDER SET, MASTER	0.6
.CYLINDER SUB ASSY., FR. BRAKE MASTER	
.HOSE COMP., FR. BRAKE	

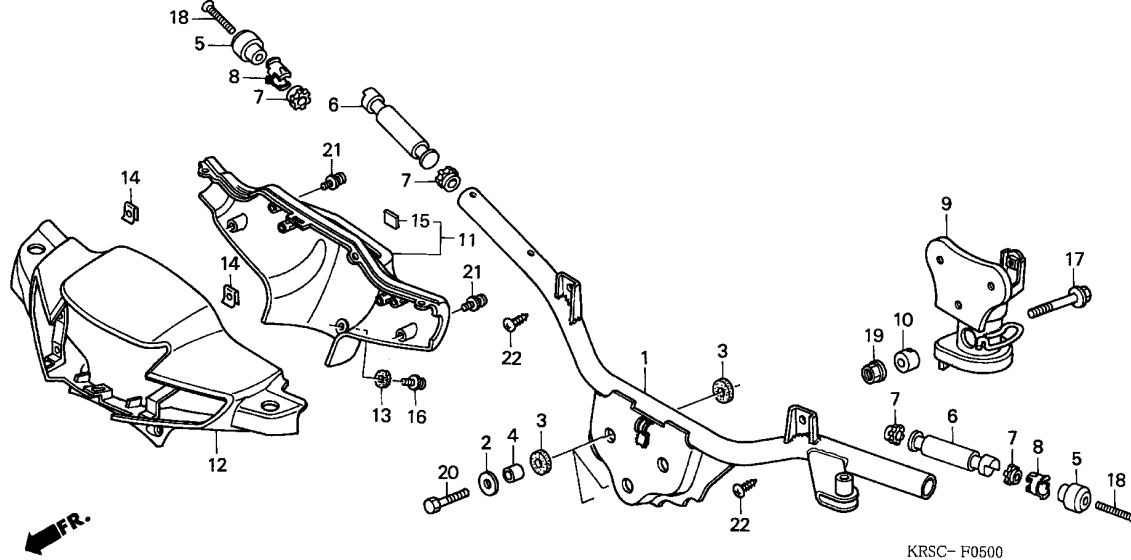


Ref. No.	Part No.	Description	Reqd. QTY	Serial No.	Parts catalogue code
			NF100MSH 3		
1	35340-KRF-T00	SWITCH ASSY., FR. STOP	1	-----	3CH
2	45126-KRS-850	HOSE COMP., FR. BRAKE	1	-----	3CH
3	45156-KRS-850	CLAMPER, BRAKE HOSE	1	-----	3CH
4	45157-KRS-850	CLAMPER B, BRAKE HOSE	1	-----	3CH
5	45504-GW3-980	BOOT COMP.	1	-----	3CH
6	45510-KRS-850	CYLINDER SUB ASSY., FR. BRAKE MASTER	1	-----	3CH
7	45512-GW3-980	PROTECTOR	1	-----	3CH
8	45513-KRS-850	CAP, MASTER CYLINDER	1	-----	3CH
9	45517-GW3-980	HOLDER, MASTER CYLINDER	1	-----	3CH
10	45520-KRS-850	DIAPHRAGM	1	-----	3CH
11	45521-KRS-850	PLATE, DIAPHRAGM	1	-----	3CH
12	45530-KRS-850	CYLINDER SET, MASTER	1	-----	3CH
13	53175-KET-920	LEVER, R. STEERING HANDLE ...	1	-----	3CH
14	90102-MW3-600	BOLT, FLANGE, 6X10	1	-----	3CH
15	90114-KGH-900	BOLT, HANDLE LEVER PIVOT ...	1	-----	3CH
16	90145-KEH-901	BOLT, OIL, 10X22	2	-----	3CH
17	90545-KCW-880	WASHER, OIL BOLT	4	-----	3CH
18	90653-GW3-980	CIRCLIP	1	-----	3CH
19	93600-04012-1G	SCREW, FLAT, 4X12	2	-----	3CH
20	93893-04012-17	SCREW-WASHER, 4X12	1	-----	3CH
21	94050-06000	NUT, FLANGE, 6MM	1	-----	3CH
22	95701-06022-07	BOLT, FLANGE, 6X22	2	-----	3CH

F-5

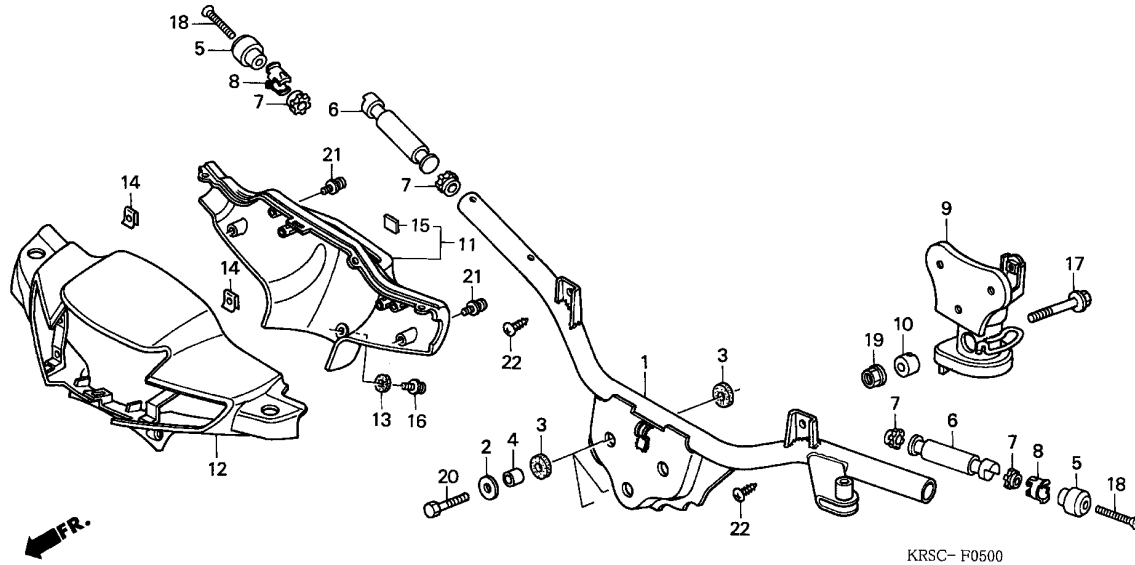
HANDLE PIPE

F 5



Service item	F.R.T.
WEIGHT B, STEERING HANDLE	0.2
COVER, FR. HANDLE	0.3
COVER, RR. HANDLE	0.4
HOLDER COMP., HANDLE	0.5
PIPE, STEERING HANDLE	0.7

Ref. No.	Part No.	Description	Reqd. QTY NF100MSH 3	Serial No.	Parts catalogue code
1	53100-KRS-830	PIPE, STEERING HANDLE	1	----- CH,2CH	
	53100-KRS-850	1	----- 3CH	
2	53101-KRS-830	PLATE, HANDLE SETTING	3		
3	53102-GN5-900	RUBBER, HANDLE MOUNTING	6		
4	53104-KEV-900	COLLAR, HANDLE SETTING	3		
5	53105-KEV-901	WEIGHT A, STEERING HANDLE ...	2		
6	53106-KRS-830	WEIGHT B, STEERING HANDLE ...	2		
7	53107-KW7-930	RUBBER, HANDLE WEIGHT	4		
8	53108-KRS-830	RING, HANDLE WEIGHT SNAP	2		
9	53120-KRS-830	HOLDER COMP., HANDLE	1		
10	53125-GN5-960	COLLAR, HANDLE SETTING	1		
11	53204-KRS-830ZA	COVER, RR. HANDLE *NH1*.....BLACK	1		
12	53205-KRS-830ZA	COVER, FR. HANDLE *G178M*..INDIA GREEN METALLIC	1	----- CH,2CH	
	53205-KRS-830ZB	*NHA05M*CLEAN SILVER METALLIC	1	----- CH,2CH	
	53205-KRS-830ZC	*NHA06P*..PEARL PROCYON BLACK	1	----- CH,2CH	
	53205-KRS-830ZD	*R283M*....BAKE RED METALLIC	1	----- CH,2CH	
	53205-KRS-850ZA	*G178M*..INDIA GREEN METALLIC	1	----- 3CH	
	53205-KRS-850ZB	*NHA05M*CLEAN SILVER METALLIC	1	----- 3CH	
	53205-KRS-850ZC	*NHA06P*..PEARL PROCYON BLACK	1	----- 3CH	
	53205-KRS-850ZD	*R283M*....BAKE RED METALLIC	1	----- 3CH	
13	53208-KAN-850	RUBBER, HANDLE COVER	1		
14	64521-MN5-000	NUT, CLIP, 4MM	2		
15	86150-GEZ-000	EMBLEM, WING MARK	1		
16	90103-KAN-850	SCREW, 5X12	1		

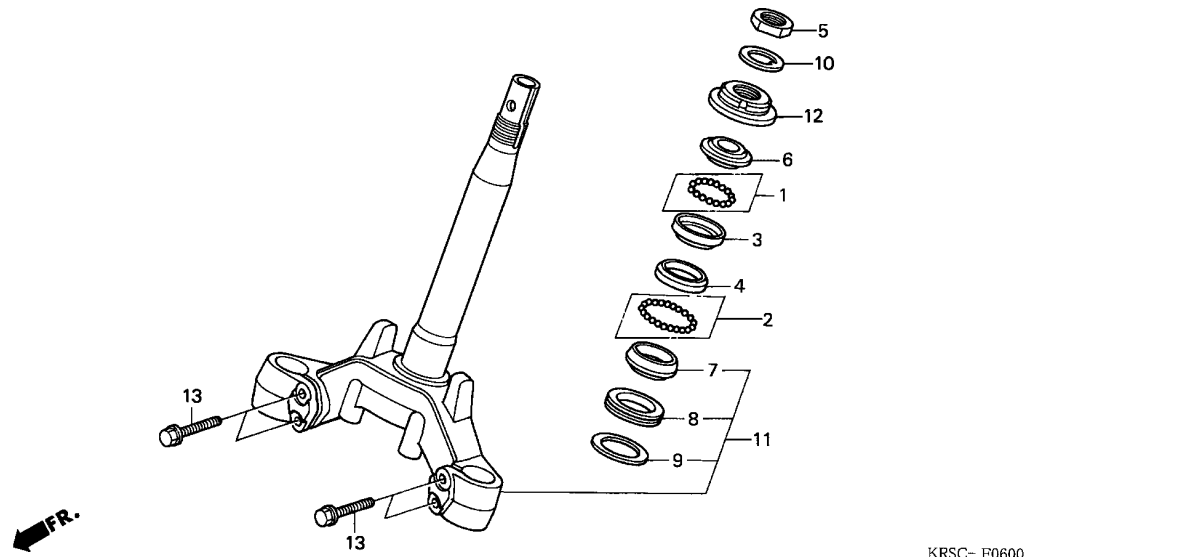


Ref. No.	Part No.	Description	Reqd. QTY NF100MSH 3	Serial No.	Parts catalogue code
17	90106-GN5-900	BOLT, FLANGE, 10X50	1		
18	90126-MJ4-700	SCREW, STEERING HANDLE WEIGHT	2		
19	90304-KCS-920	NUT, U, 10MM	1		
20	92101-08025-0H	BOLT, HEX., 8X25	3		
21	93891-04016-07	SCREW-WASHER, 4X16	2		
22	93903-34380	SCREW, TAPPING, 4X12	4		

F-6

STEERING STEM

F 7

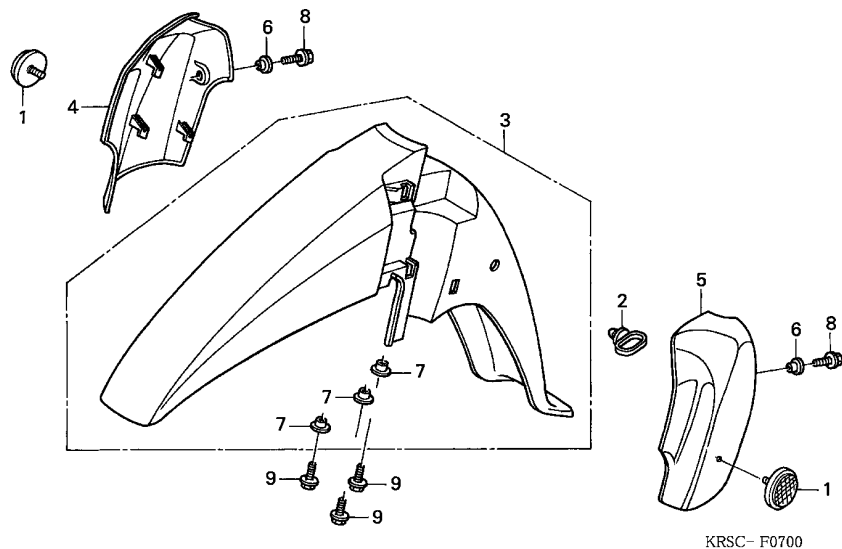


KRSC- F0600

Service item	F.R.T.
RACE, STEERING TOP CONE	0.5
.THREAD COMP., STEERING HEAD	
TOP	
RACE, STEERING BALL	1.1
(ADD 0.1 FOR EACH.)	
.STEM SUB ASSY., STEERING	
RACE, STEERING BOTTOM CONE ...	1.2

Ref. No.	Part No.	Description	Reqd. QTY	Serial No.	Parts catalogue code
			NF100MSH		
			3		
1	06530-GBG-B20	BALL SET, STEEL, #6X23	1		
2	06531-GBG-B20	BALL SET, STEEL, #6X29	1		
3	50301-KRS-830	RACE, STEERING TOP BALL	1		
4	50302-KRS-830	RACE, STEERING BOTTOM BALL ..	1		
5	50306-KRS-830	NUT, STEERING STEM	1		
6	53211-KRS-830	RACE, STEERING TOP CONE	1		
7	53212-KRS-830	RACE, STEERING BOTTOM CONE ..	1		
8	53214-KRS-830	DUST SEAL, STEERING HEAD	1		
9	53215-KRS-830	WASHER, STEERING HEAD DUST			
		SEAL	1		
10	53216-KRS-830	WASHER, STEERING STEM NUT ...	1		
11	53219-KRS-830	STEM SUB ASSY., STEERING	1		
12	53220-KRS-830	THREAD COMP., STEERING HEAD			
		TOP	1		
13	95801-10045-00	BOLT, FLANGE, 10X45	4		

3



FR.

Service item	F.R.T.
COVER, L. FR. FORK	0.1
(SAME TIME FOR TWO UNITS)	
.COVER, R. FR. FORK	
FENDER, FR.	0.3

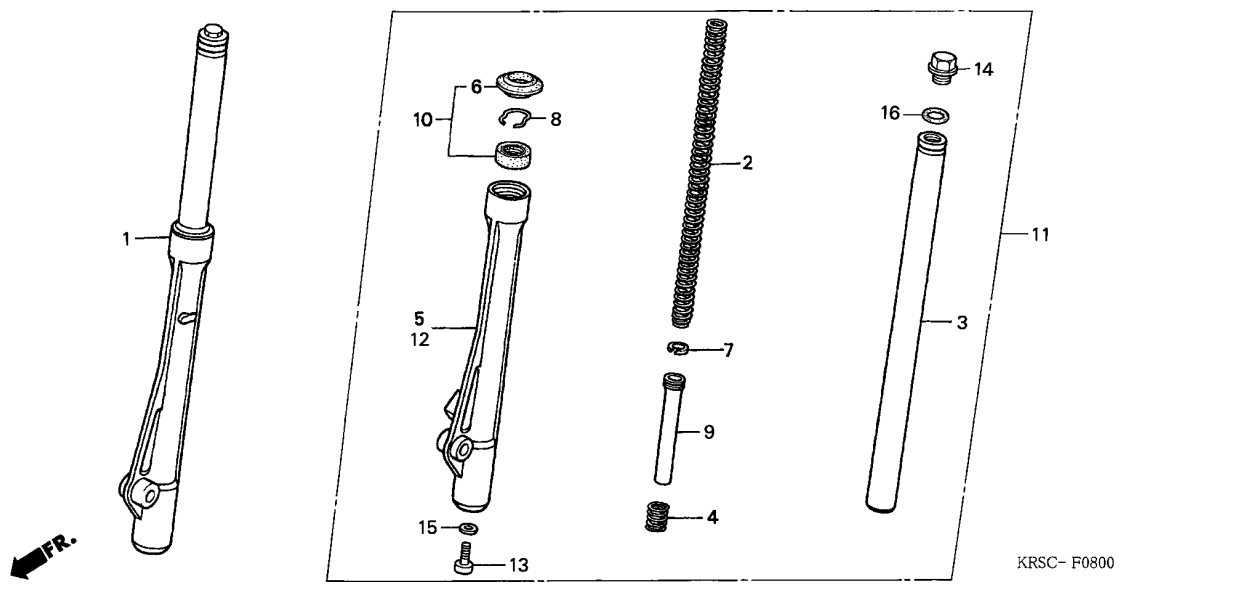
3

Ref. No.	Part No.	Description	Reqd. QTY	Serial No.	Parts catalogue code
			NF100MSH 3		
1	33741-KRS-730	REFLECTOR, SIDE REFLEX	2		
2	45451-GN5-730	GROMMET, WIRE	1		
3	61100-KRS-830ZA	FENDER, FR.	1		
	61100-KRS-830ZB	*G178M*..INDIA GREEN METALLIC	1		
	61100-KRS-830ZC	*NHA05M*CLEAN SILVER METALLIC	1		
	61100-KRS-830ZD	*NHA06P*..PEARL PROCYON BLACK	1		
	61100-KRS-830ZD	*R283M*.....BAKE RED METALLIC	1		
4	61200-KRS-830ZA	COVER, R. FR. FORK	1		
	61200-KRS-830ZB	*G178M*..INDIA GREEN METALLIC	1	-----	CH,2CH
	61200-KRS-830ZC	*NHA05M*CLEAN SILVER METALLIC	1	-----	CH,2CH
	61200-KRS-830ZC	*NHA06P*..PEARL PROCYON BLACK	1	-----	CH,2CH
	61200-KRS-830ZD	*R283M*.....BAKE RED METALLIC	1	-----	CH,2CH
	61200-KRS-850ZA	*G178M*..INDIA GREEN METALLIC	1	-----	3CH
	61200-KRS-850ZB	*NHA05M*CLEAN SILVER METALLIC	1	-----	3CH
	61200-KRS-850ZC	*NHA06P*..PEARL PROCYON BLACK	1	-----	3CH
	61200-KRS-850ZD	*R283M*.....BAKE RED METALLIC	1	-----	3CH
5	61400-KRS-830ZA	COVER, L. FR. FORK	1		
	61400-KRS-830ZB	*G178M*..INDIA GREEN METALLIC	1		
	61400-KRS-830ZC	*NHA05M*CLEAN SILVER METALLIC	1		
	61400-KRS-830ZC	*NHA06P*..PEARL PROCYON BLACK	1		
	61400-KRS-830ZD	*R283M*.....BAKE RED METALLIC	1		
6	81312-KW7-900	COLLAR, FR. FENDER	2		
7	90503-KBP-900	COLLAR, MAIN SIDE COVER	3		
8	96001-06014-00	BOLT, FLANGE, 6X14	2		
9	96001-06016-00	BOLT, FLANGE, 6X16	3		

F-8

FRONT FORK

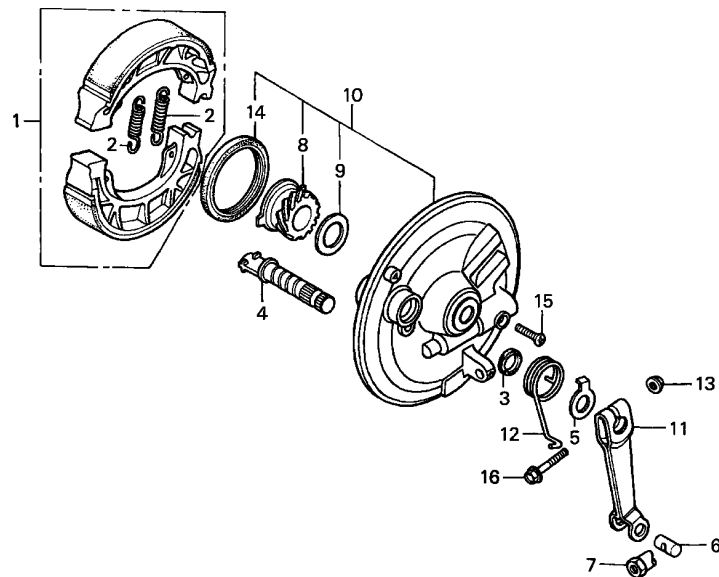
F 9



Service item	F.R.T.
FORK ASSY., L. FR.	0.5
(ADD 0.2 FOR EACH.)	
.FORK ASSY., R. FR.	
SPRING, FR. FORK	0.7
(ADD 0.3 FOR EACH.)	
PIPE COMP., FR. FORK	0.8
(ADD 0.5 FOR EACH.)	
.SEAL SET, FR. FORK	
(ADD 0.5 FOR EACH.)	
CASE, L. BOTTOM	0.9
(ADD 0.6 FOR EACH.)	
.CASE, R. BOTTOM	

Ref. No.	Part No.	Description	Reqd. QTY	Serial No.	Parts catalogue code
			NF100MSH 3		
1	51400-KRS-830	FORK ASSY., R. FR.	1	-----	CH,2CH
	51400-KRS-850	1	-----	3CH
2	51401-KRS-830	SPRING, FR. FORK	2		
3	51410-KRS-830	PIPE COMP., FR. FORK	2		
4	51412-KRS-830	SPRING, REBOUND	2		
5	51420-KRS-830	CASE, R. BOTTOM	1	-----	CH,2CH
	51420-KRS-850	1	-----	3CH
6	51425-KRS-830	DUST SEAL	2		
7	51437-KRS-830	RING, PISTON	2		
8	51466-KRS-830	RING, OIL SEAL STOPPER	2		
9	51470-KRS-830	PIPE, SEAT	2		
10	51490-KRS-830	SEAL SET, FR. FORK	2		
11	51500-KRS-830	FORK ASSY., L. FR.	1	-----	CH,2CH
	51500-KRS-850	1	-----	3CH
12	51520-KRS-830	CASE, L. BOTTOM	1	-----	CH,2CH
	51520-KRS-850	1	-----	3CH
13	90116-KRS-830	BOLT, SOCKET, 8MM	2		
14	90123-KRS-830	BOLT, FR. FORK	2		
15	90544-KRS-830	WASHER, SPECIAL, 8MM	2		
16	91257-KRS-830	O-RING	2		

3



KRSC- F0900

Service item	F.R.T.
ARM, FR. BRAKE	0.1
(INC. RELATIVE PART)	
GEAR, SPEEDOMETER	0.3
.SHOE SET, BRAKE	
PANEL SUB COMP., FR. BRAKE ...	0.4
(INC. RELATIVE PART)	

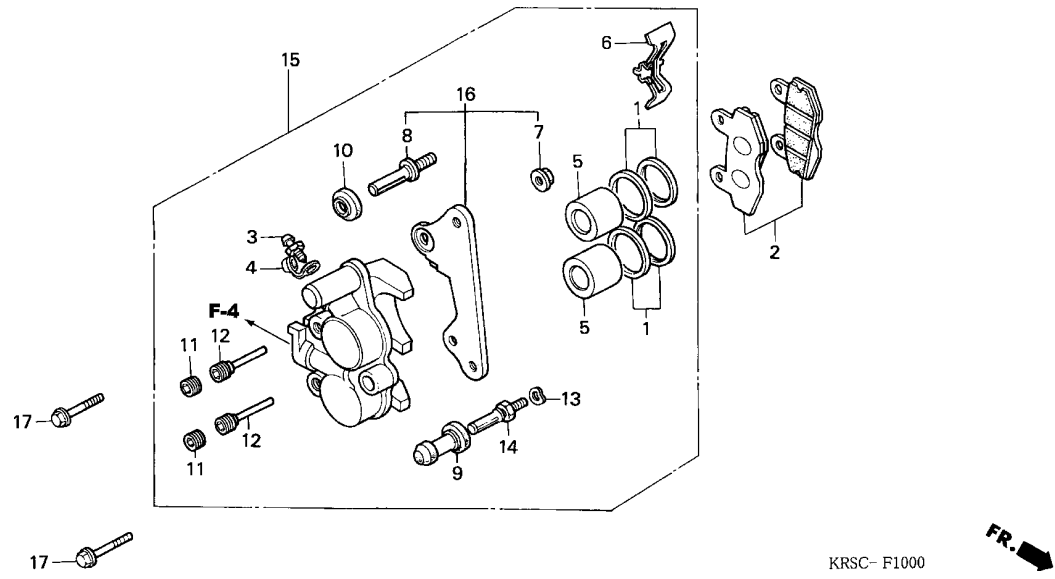
3

Ref. No.	Part No.	Description	Reqd. QTY NF100MSH 3	Serial No.	Parts catalogue code
1	06430-KRS-730	SHOE SET, BRAKE	1	-----	CH,2CH
2	43133-KRS-830	SPRING, BRAKE SHOE	2	-----	CH,2CH
3	43134-KRS-830	DUST SEAL, BRAKE CAM	1	-----	CH,2CH
4	43141-KRS-830	CAM, RR. BRAKE	1	-----	CH,2CH
5	43145-KRS-830	INDICATOR, RR. BRAKE	1	-----	CH,2CH
6	43412-KRF-S00	JOINT, BRAKE ARM	1	-----	CH,2CH
7	43413-KRF-S00	NUT, BRAKE ADJUSTING	1	-----	CH,2CH
8	44806-KRS-830	GEAR, SPEEDOMETER	1	-----	CH,2CH
9	44809-KRS-830	WASHER, SPEEDOMETER GEAR	1	-----	CH,2CH
10	45010-KRS-830	PANEL SUB COMP., FR. BRAKE ..	1	-----	CH,2CH
11	45410-KRS-830	ARM, FR. BRAKE	1	-----	CH,2CH
12	45435-KRS-830	SPRING, BRAKE ARM RETURN	1	-----	CH,2CH
13	90301-KRS-830	NUT, U, 6MM	1	-----	CH,2CH
14	91251-KRS-830	DUST SEAL, 47X57X7	1	-----	CH,2CH
15	93700-05020-0A	SCREW, OVAL, 5X20	1	-----	CH,2CH
16	95701-06028-00	BOLT, FLANGE, 6X28	1	-----	CH,2CH

F-10

FRONT BRAKE CALIPER

F11



Service item	F.R.T.
BRACKET SUB ASSY., R. FR. CALIPER	0.2
.PAD SET, FR.	
CALIPER SUB ASSY., R. FR.	0.4
PISTON	0.5
(INC. RELATIVE PART) (ADD 0.1 FOR EACH.)	

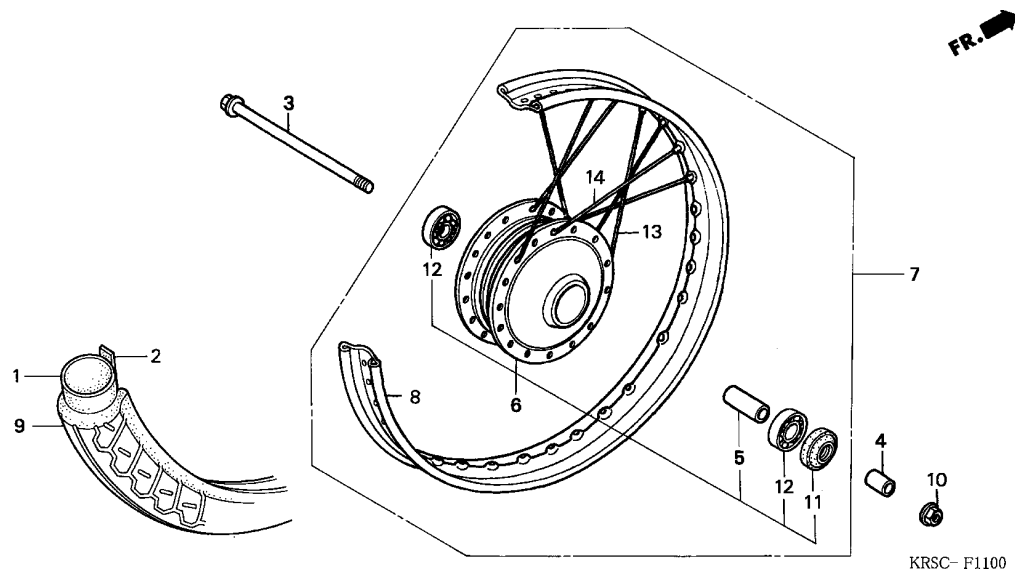
Ref. No.	Part No.	Description	Reqd. QTY	Serial No.	Parts catalogue code
			NF100MSH 3		
1	06451-KEV-650	SEAL SET, PISTON	2	-----	3CH
2	06455-KEV-650	PAD SET, FR.	1	-----	3CH
3	43352-KBP-930	BLEEDER	1	-----	3CH
4	43353-KBP-930	CAP, BLEEDER	1	-----	3CH
5	45107-KBP-930	PISTON	2	-----	3CH
6	45108-KBP-930	SPRING, PAD	1	-----	3CH
7	45116-KBP-930	NUT, TORQUE	1	-----	3CH
8	45131-KBP-930	PIN A, BOLT	1	-----	3CH
9	45132-KBP-930	BOOT, PIN BUSH	1	-----	3CH
10	45133-KBP-930	BOOT B	1	-----	3CH
11	45203-KBP-930	PLUG, PIN	2	-----	3CH
12	45215-KBP-930	PIN, HANGER	2	-----	3CH
13	45216-KBP-930	WASHER, WAVE	1	-----	3CH
14	45231-KBA-930	PIN, BOLT	1	-----	3CH
15	45250-KEV-650	CALIPER SUB ASSY., R. FR. ...	1	-----	3CH
16	45290-KEV-650	BRACKET SUB ASSY., R. FR. CALIPER	1	-----	3CH
17	90155-KEH-950	BOLT, FLANGE, 8X25	2	-----	3CH

3

F-11

FRONT WHEEL(CH)

F12



Service item	F.R.T.
AXLE, FR. WHEEL	0.2
BEARING, RADIAL BALL, 6301U ..	0.4
(ADD 0.1 FOR EACH.)	
.COLLAR, FR. AXLE DISTANCE	
TIRE, FR.	0.8
.TUBE, TIRE	
.WHEEL SUB ASSY., FR.	
RIM, FR. WHEEL	2.2
HUB SUB ASSY., FR.	2.3

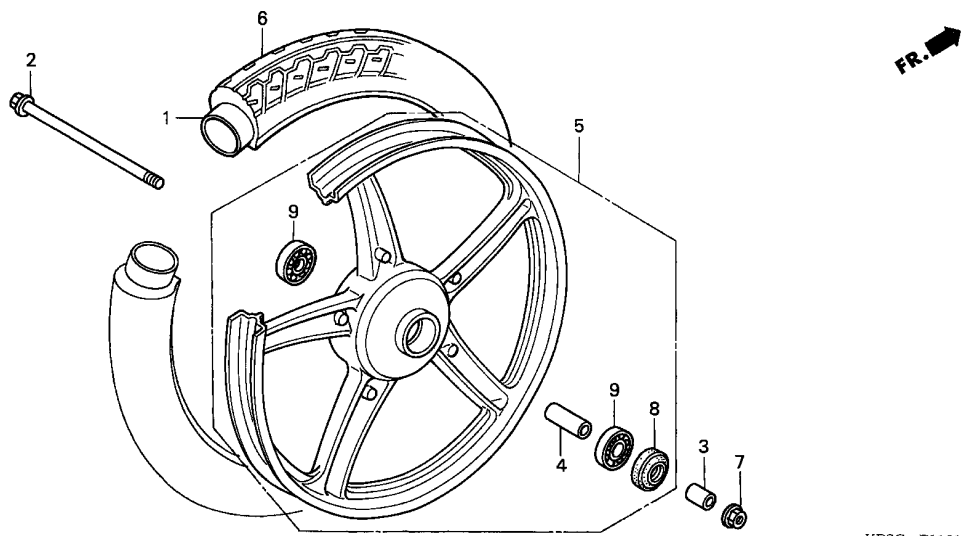
3

Ref. No.	Part No.	Description	Reqd. QTY	Serial No.	Parts catalogue code
			NF100MSH 3		
1	42712-KRS-830	TUBE, TIRE (2.25-17/2.50-17)	1	-----	CH
2	42713-KRS-830	FLAP, TIRE	1	-----	CH
3	44301-KRS-830	AXLE, FR. WHEEL	1	-----	CH
4	44311-KRS-830	COLLAR, FR. WHEEL SIDE	1	-----	CH
5	44620-KRS-830	COLLAR, FR. AXLE DISTANCE ...	1	-----	CH
6	44635-KRS-830	HUB SUB ASSY., FR.	1	-----	CH
7	44650-KRS-830	WHEEL SUB ASSY., FR.	1	-----	CH
8	44701-KRS-830	RIM, FR. WHEEL	1	-----	CH
9	44711-KRS-830	TIRE, FR. (2.50-17 43L)	1	-----	CH
10	90307-KRF-S00	NUT, SPECIAL, 12MM	1	-----	CH
11	90755-KRS-830	OIL SEAL, 21X37X7	1	-----	CH
12	96140-63010-10	BEARING, RADIAL BALL, 6301U ..	2	-----	CH
13	97172-21158-FO	SPOKE SET A, 12X159		-----	CH
		(INSIDE)	18	-----	CH
14	97548-21156-FO	SPOKE SET A, 12X158		-----	CH
		(OUTSIDE)	18	-----	CH

F-11-1

FRONT WHEEL(2CH)

F13



Service item	F.R.T.
AXLE, FR. WHEEL	0.2
BEARING, RADIAL BALL, 6301U ..	0.4
(ADD 0.1 FOR EACH.)	
.COLLAR, FR. AXLE DISTANCE	
TIRE, FR.	0.8
.TUBE, TIRE	
.WHEEL SUB ASSY., FR.	

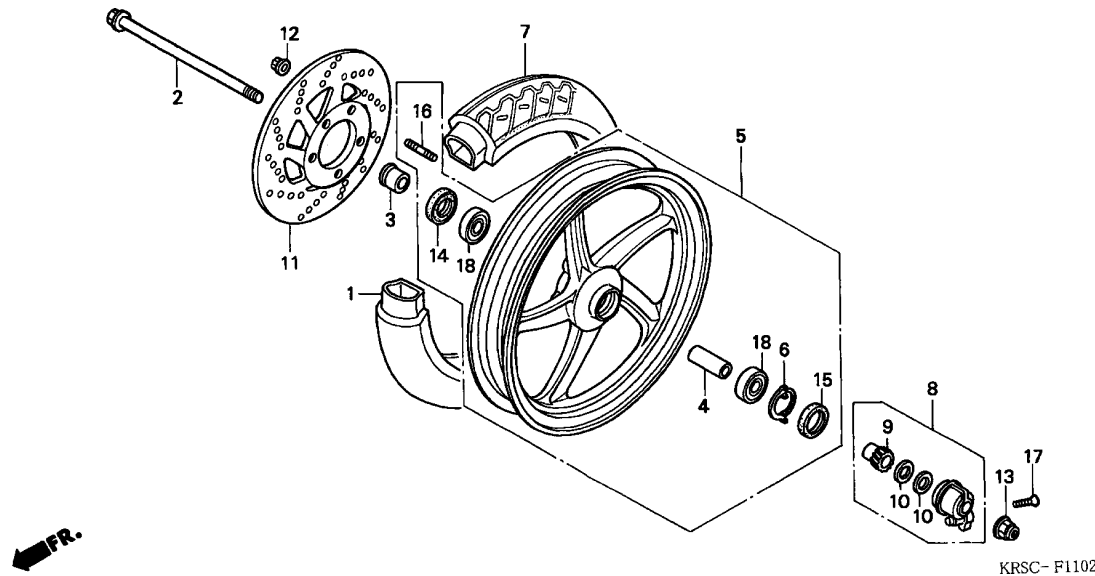
Ref. No.	Part No.	Description	Reqd. QTY	Serial No.	Parts catalogue code
			NF100MSH 3		
1	42712-KRS-830	TUBE, TIRE (2.25-17/2.50-17)	1	-----	2CH
2	44301-KRS-830	AXLE, FR. WHEEL	1	-----	2CH
3	44311-KRS-830	COLLAR, FR. WHEEL SIDE	1	-----	2CH
4	44620-KRS-830	COLLAR, FR. AXLE DISTANCE ...	1	-----	2CH
5	44650-KRS-840	WHEEL SUB ASSY., FR.	1	-----	2CH
6	44711-KRS-830	TIRE, FR. (2.50-17 43L)	1	-----	2CH
7	90307-KRF-S00	NUT, SPECIAL, 12MM	1	-----	2CH
8	90755-KRS-830	OIL SEAL, 21X37X7	1	-----	2CH
9	96140-63010-10	BEARING, RADIAL BALL, 6301U ..	2	-----	2CH

3

F-11-2

FRONT WHEEL(3CH)

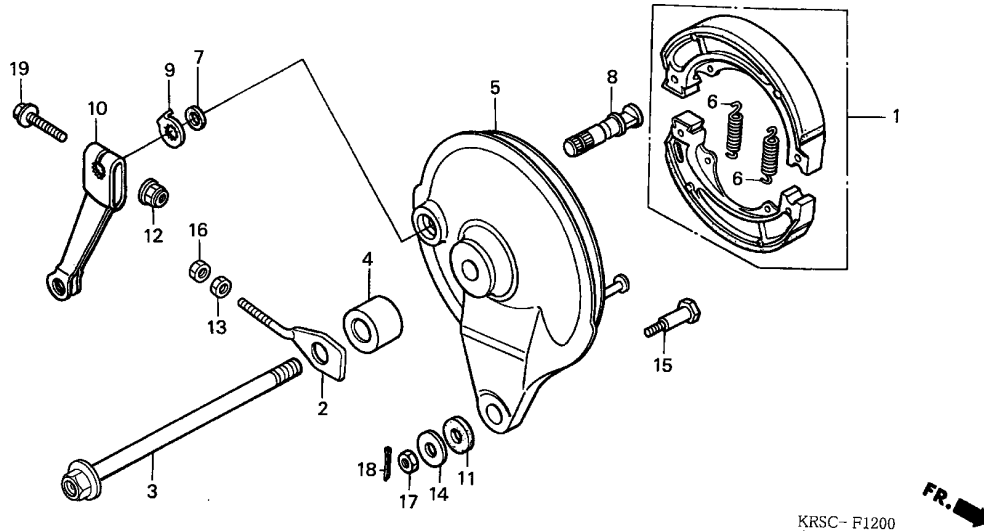
F14



Service item	F.R.T.
AXLE, FR. WHEEL	0.2
BOX ASSY., SPEEDOMETER GEAR ..	0.3
.DISK, FR. BRAKE	
BEARING, RADIAL BALL, 6301UU .	0.4
(ADD 0.1 FOR EACH.)	
.COLLAR, FR. AXLE DISTANCE	
TIRE, FR.	0.8
.TUBE, TIRE	
WHEEL SUB ASSY., FR.	0.9

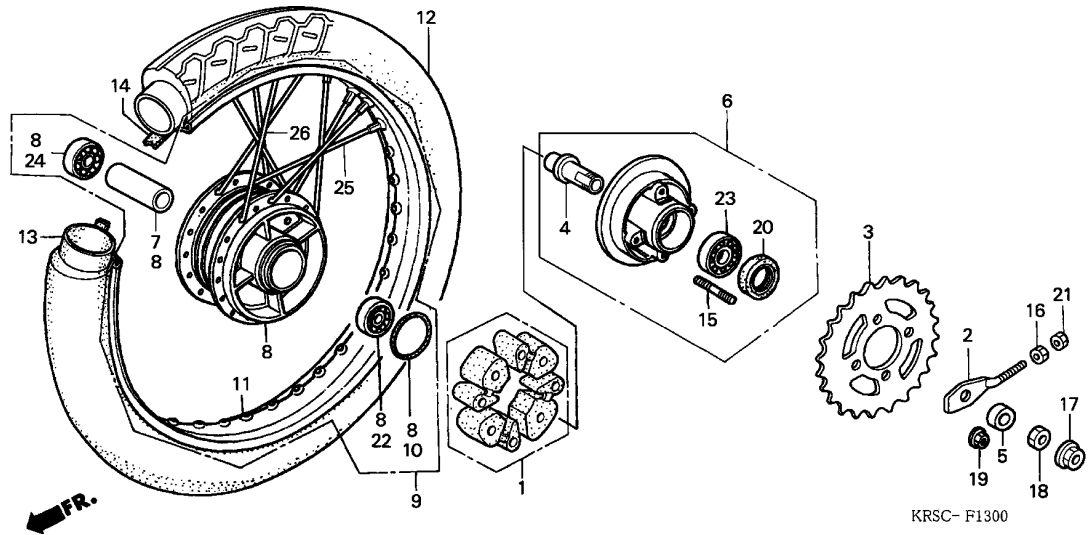
3

Ref. No.	Part No.	Description	Reqd. QTY	Serial No.	Parts catalogue code
			NF100MSH 3		
1	42712-KRS-830	TUBE, TIRE (2.25-17/2.50-17)	1	-----	3CH
2	44301-KRS-830	AXLE, FR. WHEEL	1	-----	3CH
3	44311-KRS-850	COLLAR, FR. WHEEL SIDE	1	-----	3CH
4	44620-KRS-830	COLLAR, FR. AXLE DISTANCE ...	1	-----	3CH
5	44650-KRS-850	WHEEL SUB ASSY., FR.	1	-----	3CH
6	44680-KRS-850	RETAINER, GEAR BOX	1	-----	3CH
7	44711-KRS-830	TIRE, FR. (2.50-17 43L)	1	-----	3CH
8	44800-KET-920	BOX ASSY., SPEEDOMETER GEAR .	1	-----	3CH
9	44806-KAN-851	GEAR, SPEEDOMETER	1	-----	3CH
10	44809-170-003	WASHER, SPEEDOMETER GEAR	2	-----	3CH
11	45121-KRS-850	DISK, FR. BRAKE	1	-----	3CH
12	90301-KRS-830	NUT, U, 6MM	5	-----	3CH
13	90307-KRF-500	NUT, SPECIAL, 12MM	1	-----	3CH
14	90755-KRS-830	OIL SEAL, 21X37X7	1	-----	3CH
15	91258-KRS-850	DUST SEAL, 40X50X5	1	-----	3CH
16	92911-06018-0E	BOLT, STUD, 6X18	5	-----	3CH
17	93700-05016-0A	SCREW, OVAL, 5X16	1	-----	3CH
18	96150-63010-10	BEARING, RADIAL BALL, 6301UU	2	-----	3CH



Service item	F.R.T.
ARM, RR. BRAKE	0.1
(INC. RELATIVE PART)	
AXLE, RR. WHEEL	0.3
SHOE SET, BRAKE	0.4
PANEL COMP., RR. BRAKE	0.5

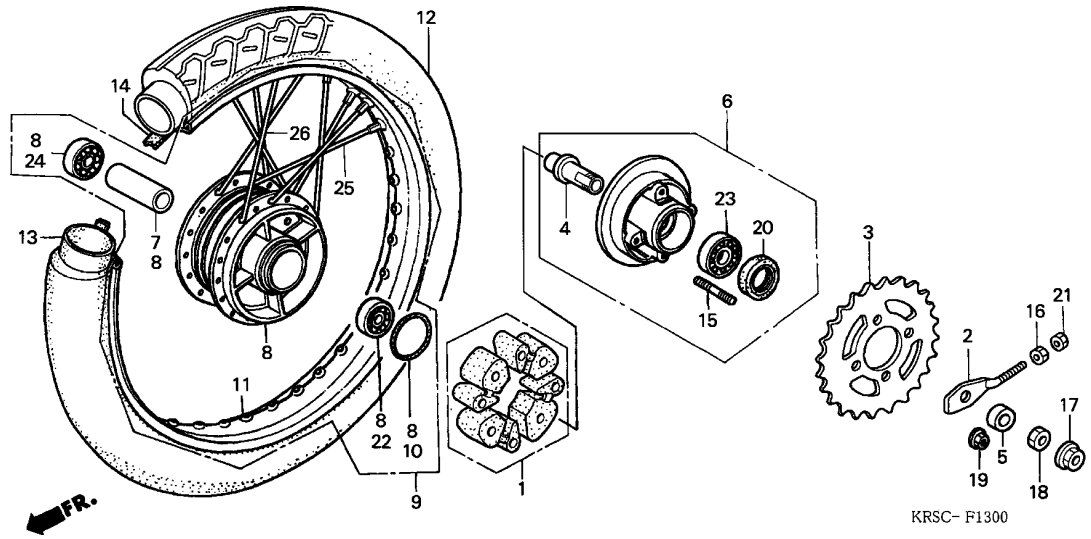
Ref. No.	Part No.	Description	Reqd. QTY NF100MSH 3	Serial No.	Parts catalogue code
1	06430-KRS-730	SHOE SET, BRAKE	1		
2	40543-KRS-830	ADJUSTER, R. CHAIN	1		
3	42301-KRS-830	AXLE, RR. WHEEL	1		
4	42313-KRS-830	COLLAR, RR. BRAKE PANEL SIDE	1		
5	43100-KRS-830	PANEL COMP., RR. BRAKE	1		
6	43133-KRS-830	SPRING, BRAKE SHOE	2		
7	45134-250-000	DUST SEAL, BRAKE CAM	1		
8	43141-KRS-830	CAM, RR. BRAKE	1		
9	43145-KRS-830	INDICATOR, RR. BRAKE	1		
10	43410-KRS-830	ARM, RR. BRAKE	1		
11	43434-KRS-830	RUBBER, STOPPER ARM	1		
12	90301-KRS-830	NUT, U, 6MM	1		
13	90302-KRS-830	NUT, SPECIAL, 6MM	1		
14	90505-KRS-830	WASHER, 8MM	1		
15	92811-10000	BOLT A, BRAKE STOPPER	1		
16	94001-06000-0S	NUT, HEX., 6MM	1		
17	94001-08000	NUT, HEX., 8MM	1		
18	94201-20150	PIN, SPLIT, 2.0X15	1		
19	95701-06035-00	BOLT, FLANGE, 6X35	1		



Service item	F.R.T.
DAMPER SET, WHEEL	0.3
FLANGE SUB ASSY., RR. DRIVEN .	0.4
.SPROCKET, FINAL DRIVEN	
BEARING, RADIAL BALL, 6201U ..	0.5
(ADD 0.1 FOR EACH.)	
.BEARING, RADIAL BALL, 6203U	
.BOLT, STUD, 8X19.5	
(ADD 0.1 FOR EACH.)	
.COLLAR, RR. AXLE DISTANCE	
.SLEEVE, RR. WHEEL	
TIRE, RR.	0.9
.TUBE, TIRE	
.WHEEL SUB ASSY., RR.	
RIM, RR. WHEEL	2.3
HUB SUB ASSY., RR.	2.4

3

Ref. No.	Part No.	Description	Reqd. QTY	Serial No.	Parts catalogue code
			NF100MSH 3		
1	06410-KRS-830	DAMPER SET, WHEEL	1	-----	CH
2	40544-KRS-830	ADJUSTER, L. CHAIN	1	-----	CH
3	41201-KRS-830	SPROCKET, FINAL DRIVEN (36T)	1	-----	CH
4	42303-KRS-830	SLEEVE, RR. WHEEL	1	-----	CH
5	42304-KRS-830	COLLAR, RR. WHEEL SIDE	1	-----	CH
6	42615-KRS-830	FLANGE SUB ASSY., RR. DRIVEN	1	-----	CH
7	42620-KRS-830	COLLAR, RR. AXLE DISTANCE ...	1	-----	CH
8	42635-KRS-830	HUB SUB ASSY., RR.	1	-----	CH
9	42650-KRS-830	WHEEL SUB ASSY., RR.	1	-----	CH
10	42653-KRS-830	O-RING, 40.5X3	1	-----	CH
11	42701-KRS-830	RIM, RR. WHEEL	1	-----	CH
12	42711-KRS-830	TIRE, RR.	1	-----	CH
13	42712-KRS-830	TUBE, TIRE (2.25-17/2.50-17)	1	-----	CH
14	42713-KRS-830	FLAP, TIRE	1	-----	CH
15	90128-KFM-900	BOLT, STUD, 8X19.5	4	-----	CH
16	90302-KRS-830	NUT, SPECIAL, 6MM	1	-----	CH
17	90307-KRF-800	NUT, SPECIAL, 12MM	1	-----	CH
18	90307-KRS-830	NUT, RR. AXLE SLEEVE	1	-----	CH
19	90309-KRS-830	NUT, U, 8MM	4	-----	CH
20	90753-KRS-830	OIL SEAL, 27X40X6	1	-----	CH
21	94001-06000-OS	NUT, HEX., 6MM	1	-----	CH
22	96140-62010-10	BEARING, RADIAL BALL, 6201U .	1	-----	CH
23	96140-62030-10	BEARING, RADIAL BALL, 6203U .	1	-----	CH
24	96140-63010-10	BEARING, RADIAL BALL, 6301U .	1	-----	CH



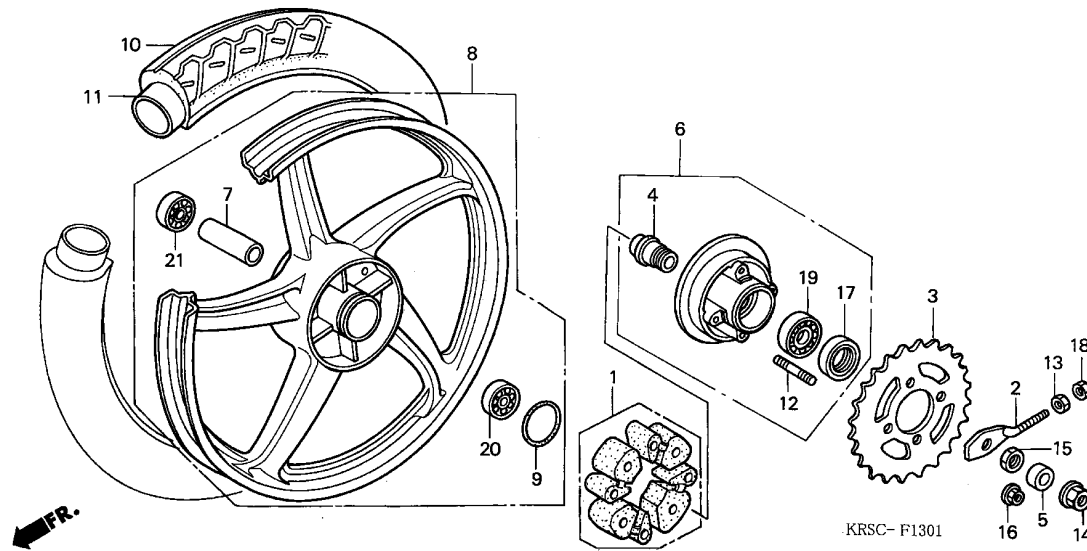
KRSC-F1300

Ref. No.	Part No.	Description	Reqd. QTY NF100MSH 3	Serial No.	Parts catalogue code
25	97282-41158-R0	SPOKE SET A, 10X159.0 (INSIDE)	18	-----	CH
26	97548-41157-R0	SPOKE SET A, 10X158.5 (OUTSIDE)	18	-----	CH

F-13-1

REAR WHEEL(2CH/3CH)

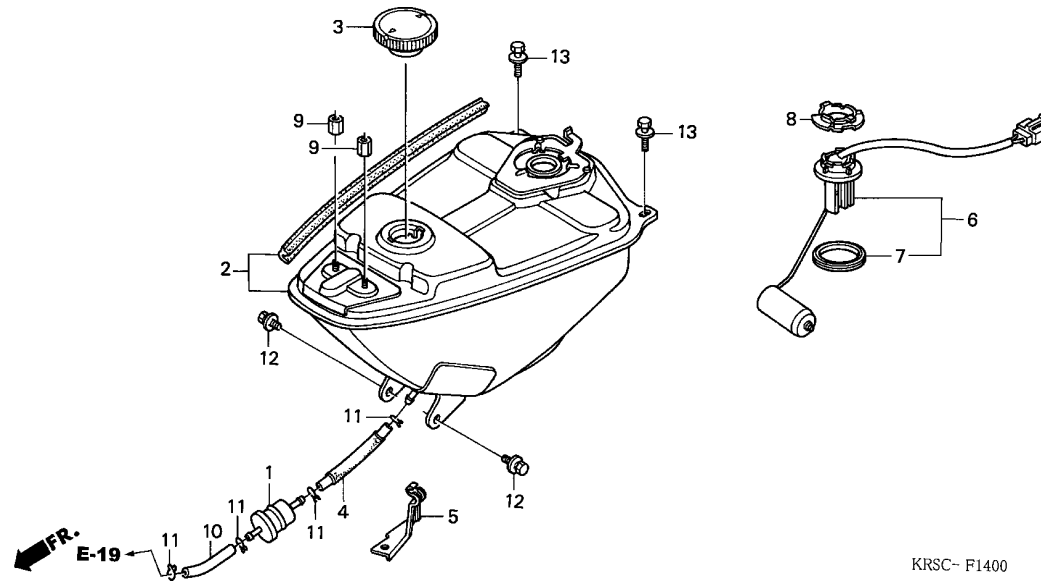
G 2



Service item	F.R.T.
DAMPER SET, WHEEL	0.3
FLANGE SUB ASSY., RR. DRIVEN	0.4
.SPROCKET, FINAL DRIVEN	
BEARING, RADIAL BALL, 6201UU	0.5
(ADD 0.1 FOR EACH.)	
.BEARING, RADIAL BALL, 6203U	
.BEARING, RADIAL BALL, 6301UU	
.COLLAR, RR. AXLE DISTANCE	
.SLEEVE, RR. WHEEL	
TIRE, RR.	0.9
.TUBE, TIRE	
.WHEEL SUB ASSY., RR.	

3

Ref. No.	Part No.	Description	Reqd. QTY	Serial No.	Parts catalogue code
			NF100MSH 3		
1	06410-KRS-830	DAMPER SET, WHEEL	1	-----	2CH,3CH
2	40544-KRS-830	ADJUSTER, L. CHAIN	1	-----	2CH,3CH
3	41201-KRS-830	SPROCKET, FINAL DRIVEN (36T)	1	-----	2CH,3CH
4	42303-KRS-830	SLEEVE, RR. WHEEL	1	-----	2CH,3CH
5	42304-KRS-830	COLLAR, RR. WHEEL SIDE	1	-----	2CH,3CH
6	42615-KRS-830	FLANGE SUB ASSY., RR. DRIVEN	1	-----	2CH,3CH
7	42620-KRS-830	COLLAR, RR. AXLE DISTANCE	1	-----	2CH,3CH
8	42650-KRS-840	WHEEL SUB ASSY., RR.	1	-----	2CH,3CH
9	42653-KRS-830	O-RING, 40.5X3	1	-----	2CH,3CH
10	42711-KRS-830	TIRE, RR.	1	-----	2CH,3CH
11	42712-KRS-830	TUBE, TIRE (2.25-17/2.50-17)	1	-----	2CH,3CH
12	90128-KFM-900	BOLT, STUD, 8X19.5	4	-----	2CH,3CH
13	90302-KRS-830	NUT, SPECIAL, 6MM	1	-----	2CH,3CH
14	90307-KRF-S00	NUT, SPECIAL, 12MM	1	-----	2CH,3CH
15	90307-KRS-830	NUT, RR. AXLE SLEEVE	1	-----	2CH,3CH
16	90309-KRS-830	NUT, U, 8MM	4	-----	2CH,3CH
17	90753-KRS-830	OIL SEAL, 27X40X6	1	-----	2CH,3CH
18	94001-06000-0S	NUT, HEX., 6MM	1	-----	2CH,3CH
19	96140-62030-10	BEARING, RADIAL BALL, 6203U	1	-----	2CH,3CH
20	96150-62010-10	BEARING, RADIAL BALL, 6201UU	1	-----	2CH,3CH
21	96150-63010-10	BEARING, RADIAL BALL, 6301UU	1	-----	2CH,3CH



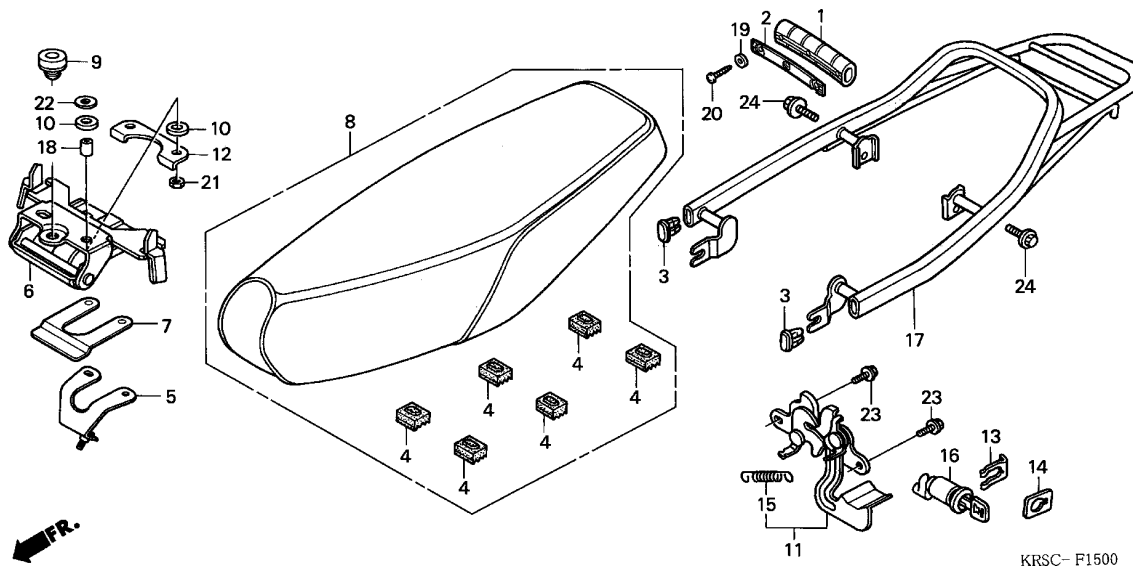
Service item	F.R.T.
STRAINER COMP., FUEL	0.2
FUEL UNIT SET	0.4
.TANK ASSY., FUEL	

Ref. No.	Part No.	Description	Reqd. QTY NF100MSH 3	Serial No.	Parts catalogue code
1	16910-KRS-830	STRAINER COMP., FUEL	1		
2	17500-KRS-830	TANK ASSY., FUEL	1		
3	17620-KRS-830	CAP COMP., FUEL FILLER	1		
4	17630-KRS-830	TUBE, FUEL, 5.3X425	1		
5	17640-KRS-830	CLAMPER, FUEL TUBE	1		
6	37010-KRS-830	FUEL UNIT SET	1		
7	37801-GA7-700	PACKING, BASE	1		
8	37802-GA7-700	RETAINER, FUEL UNIT	1		
9	94001-06070-0S	NUT, HEX., 6MM	2		
10	95001-55075-40	TUBE, FUEL, 5.3X75 (95001-55001-60M)	1		
11	95002-02100	CLIP, TUBE (B10)	4		
12	95701-06012-00	BOLT, FLANGE, 6X12	2		
13	95701-08016-00	BOLT, FLANGE, 8X16	2		

F-15

SEAT

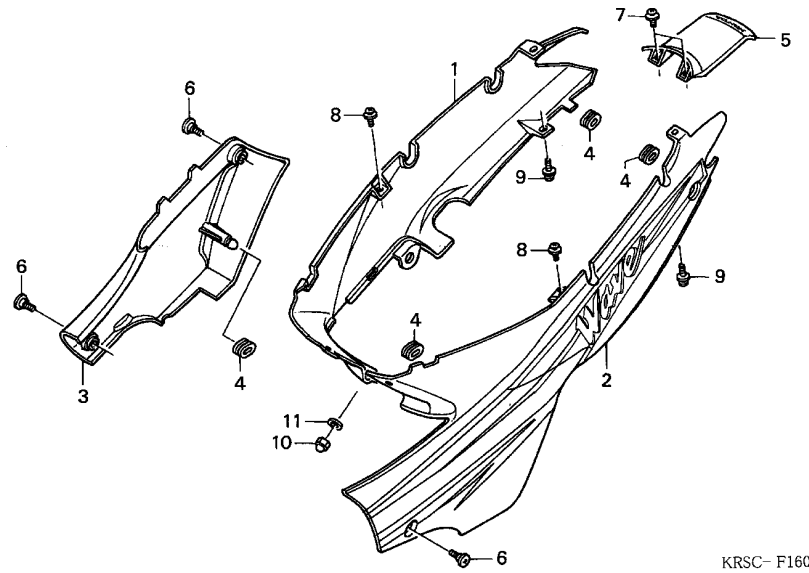
G 4



Service item	F.R.T.
HINGE COMP., SEAT	0.1
.SEAT COMP., DOUBLE	
CARRIER, RR.	0.3
.KEY, SEAT LOCK	
.SEAT LOCK COMP.	

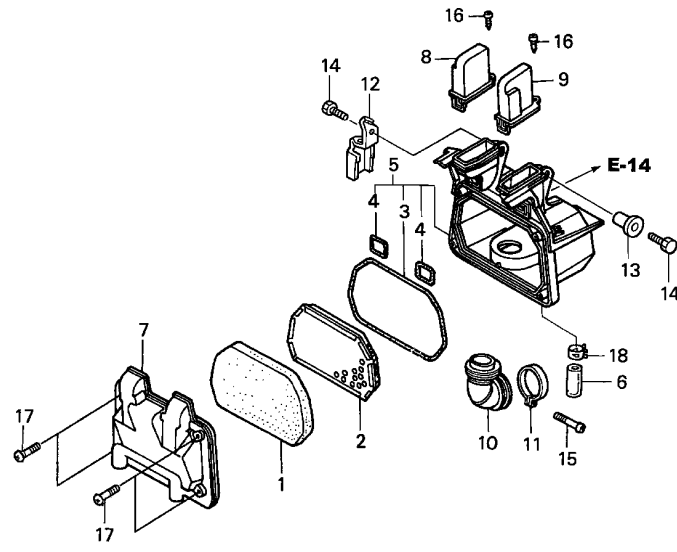
3

Ref. No.	Part No.	Description	Reqd. QTY NF100MSH 3	Serial No.	Parts catalogue code
1	50412-KRS-830	RUBBER, RR. GRIP	1		
2	50414-KRS-830	PIECE, RR. GRIP SETTING	1		
3	50415-KRS-830	CAP, RR. GRIP PIPE END	2		
4	50524-KEV-900	RUBBER, MAIN STAND STOPPER ..	6		
5	64350-KRS-830	STAY, BODY COVER	1		
6	77110-KRS-830	HINGE COMP., SEAT	1		
7	77120-KEV-900	PLATE, SEAT HINGE SETTING ...	1		
8	77200-KRS-830	SEAT COMP., DOUBLE	1		
9	77206-KW6-900	RUBBER, SEAT CUSHION	1		
10	77207-GN5-910	RUBBER B, SEAT MOUNTING	4		
11	77230-KRS-830	SEAT LOCK COMP.	1		
12	77235-KEV-900	PLATE, SEAT HINGE	1		
13	77235-469-000	SPRING, LOCK KEY SETTING	1		
14	77236-GW0-000	WASHER, SEAT LOCK	1		
15	77237-KEV-900	SPRING, SEAT CATCH	1		
16	77240-KRS-830	KEY, SEAT LOCK	1		
17	81210-KRS-830	CARRIER, RR.	1		
18	90324-GN5-730	COLLAR, SEAT MOUNTING	2		
19	90507-GN5-900	WASHER, 3.5X13	2		
20	93903-22280	SCREW, TAPPING, 3X10	3		
21	94001-06070-0S	NUT, HEX., 6MM	2		
22	94103-06000	WASHER, PLAIN, 6MM	2		
23	95701-06012-00	BOLT, FLANGE, 6X12	2		
24	95701-08014-00	BOLT, FLANGE, 8X14	2		



Service item	F.R.T.
COVER SET, R. SIDE	0.1
.COVER SET, TAIL	
COVER SET, L. BODY	0.3
(ADD 0.1 FOR EACH.)	
.COVER SET, R. BODY	

Ref. No.	Part No.	Description	Reqd. QTY NF100MSH 3	Serial No.	Parts catalogue code
1	64300-KRS-830ZA	COVER SET, R. BODY *TYPE1*(WL)	1		
	64300-KRS-830ZB	COVER SET, R. BODY *TYPE2*(WL)	1		
	64300-KRS-830ZC	COVER SET, R. BODY *TYPE3*(WL)	1		
	64300-KRS-830ZD	COVER SET, R. BODY *TYPE4*(WL)	1		
2	64360-KRS-830ZA	COVER SET, L. BODY *TYPE1*(WL)	1		
	64360-KRS-830ZB	COVER SET, L. BODY *TYPE2*(WL)	1		
	64360-KRS-830ZC	COVER SET, L. BODY *TYPE3*(WL)	1		
	64360-KRS-830ZD	COVER SET, L. BODY *TYPE4*(WL)	1		
3	83550-KRS-830ZA	COVER SET, R. SIDE *TYPE1*(WL)	1		
	83550-KRS-830ZB	COVER SET, R. SIDE *TYPE2*(WL)	1		
	83550-KRS-830ZC	COVER SET, R. SIDE *TYPE3*(WL)	1		
	83550-KRS-830ZD	COVER SET, R. SIDE *TYPE4*(WL)	1		
4	83551-GE2-000	GROMMET, AIR CLEANER CASE ...	4		
5	83600-KRS-830ZA	COVER SET, TAIL *TYPE1*(WL)	1		
	83600-KRS-830ZB	COVER SET, TAIL *TYPE2*(WL)	1		
	83600-KRS-830ZC	COVER SET, TAIL *TYPE3*(WL)	1		
	83600-KRS-830ZD	COVER SET, TAIL *TYPE4*(WL)	1		
6	90107-KW7-900	BOLT, FAIRING SETTING	3		
7	90380-GM9-740	SCREW, SPECIAL, 6X15	2		
8	91509-GE2-760	SCREW, PAN, 5X11.5	2		
9	93894-06016-08	SCREW-WASHER, 6X16	2		
10	94021-05020-0S	NUT, CAP, 5MM	1		
11	94103-05200	WASHER, PLAIN, 5MM	1		



KRSC- F1700

Service item	F.R.T.
COVER, AIR CLEANER CASE	0.2
ELEMENT, AIR CLEANER	0.3
.TUBE, AIR CLEANER CONNECTING	
CASE SUB ASSY., AIR CLEANER ..	0.4

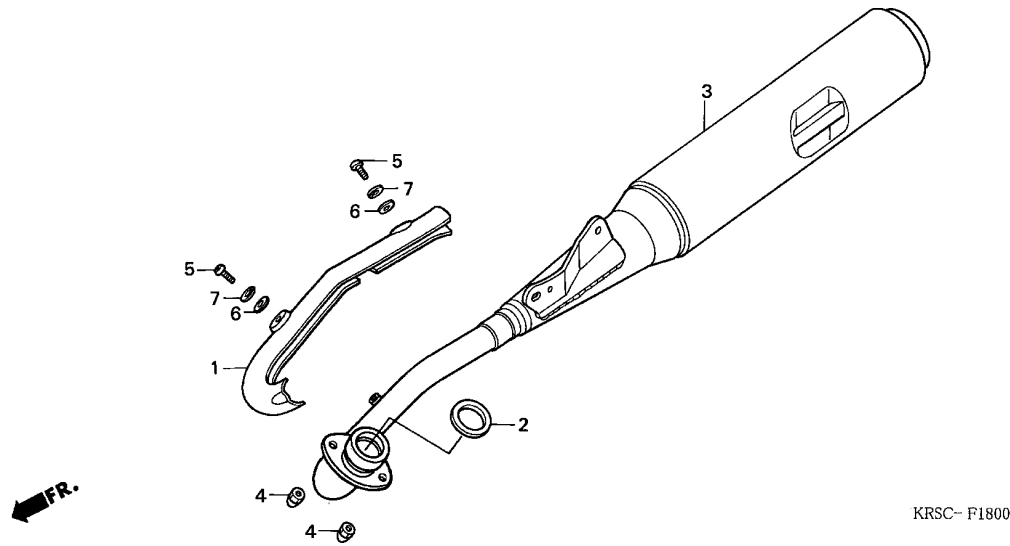
3

Ref. No.	Part No.	Description	Reqd. QTY NF100MSH 3	Serial No.	Parts catalogue code
1	17205-GN5-900	ELEMENT, AIR CLEANER	1		
2	17212-KFL-840	TRAP COMP., FRAME	1		
3	17213-KRS-830	SEAL, AIR CLEANER COVER	1		
4	17214-KRS-830	SEAL, AIR CLEANER CASE	2		
5	17225-KRS-830	CASE SUB ASSY., AIR CLEANER ..	1		
6	17227-HC0-000	TUBE, VINYL, 11X15X45	1		
7	17231-KRS-830	COVER, AIR CLEANER CASE	1		
8	17233-KRS-830	CAP, R. DUCT	1		
9	17234-KRS-830	CAP, L. DUCT	1		
10	17253-KRS-830	TUBE, AIR CLEANER CONNECTING	1		
11	17256-053-010	BAND B, AIR CLEANER CONNECTING TUBE	1		
12	50154-KEV-900	GUIDE, AIR VENT TUBE	1		
13	90522-028-000	WASHER, CHAIN CASE SETTING ..	1		
14	92101-06012-0A	BOLT, HEX., 6X12	2		
15	93500-05020-0A	SCREW, PAN, 5X20	1		
16	93901-24310	SCREW, TAPPING, 4X12	2		
17	93903-25310	SCREW, TAPPING, 5X16	4		
18	95002-41300-08	CLAMP, TUBE (D13)	1		

F-18

EXHAUST MUFFLER

G 7



Service item	F.R.T.
COVER, EX. PIPE	0.1
GASKET, EX. PIPE	0.3
MUFFLER COMP., EX.	

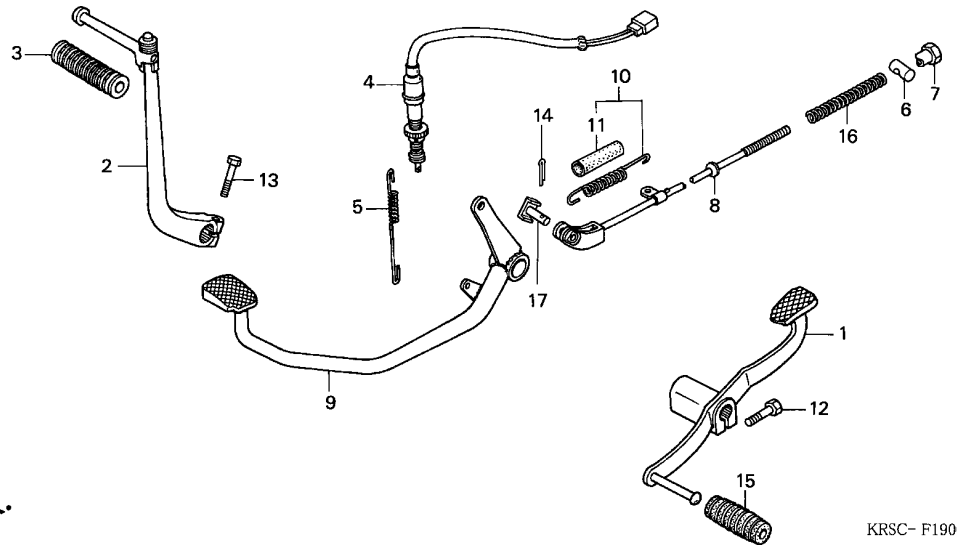
Ref. No.	Part No.	Description	Reqd. QTY NF100MSH 3	Serial No.	Parts catalogue code
1	18240-KRS-830	COVER, EX. PIPE	1		
2	18291-HB2-900	GASKET, EX. PIPE	1		
3	18350-KRS-830	MUFFLER COMP., EX.	1		
4	90207-165-600	NUT, CAP, 6MM	2		
5	93500-05008-4J	SCREW, PAN, 5X8	2		
6	94101-05000	WASHER, PLAIN, 5MM	2		
7	94111-05000	WASHER, SPRING, 5MM	2		

3

F-19

PEDAL/KICK STARTER ARM

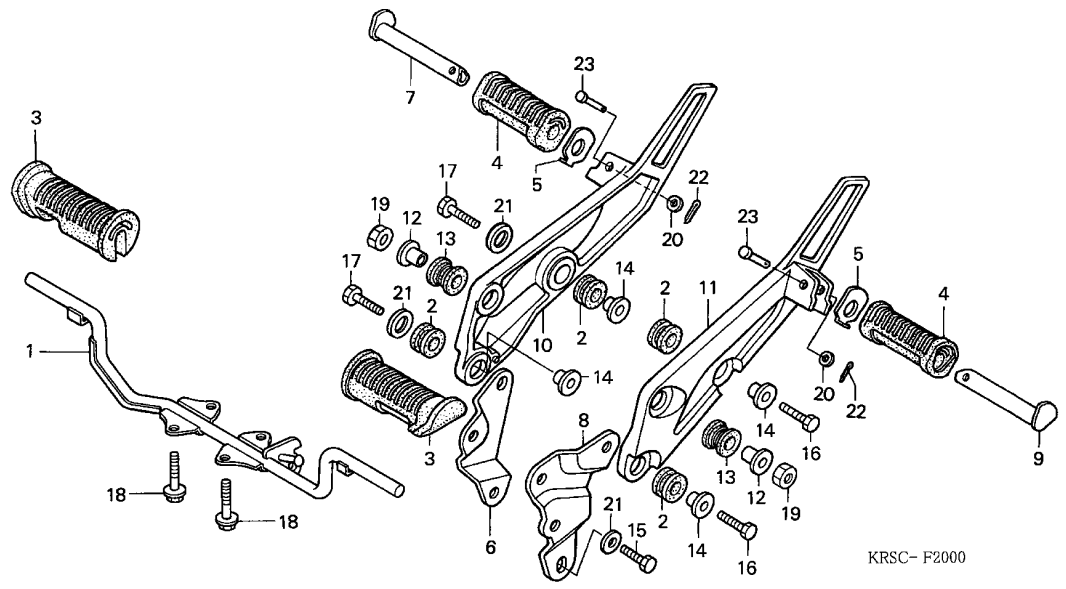
G 8



Service item	F.R.T.
ARM ASSY., KICK STARTER	0.1
.PEDAL, GEAR CHANGE	
SWITCH ASSY., RR. STOP	0.2
PEDAL COMP., BRAKE	0.5
.ROD COMP., RR. BRAKE	

3

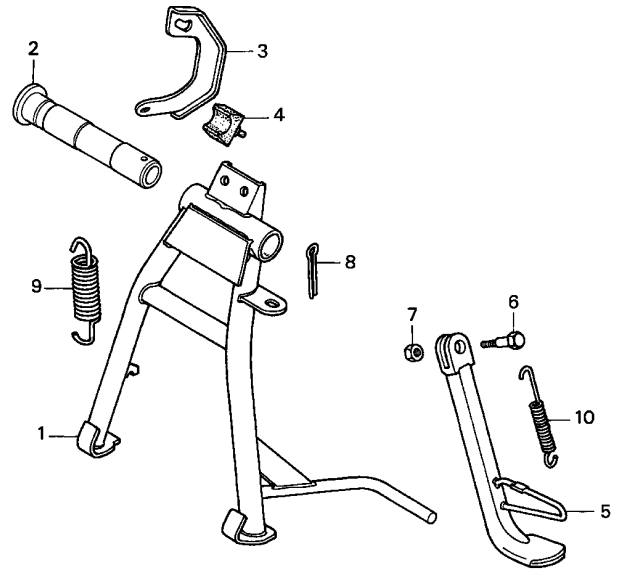
Ref. No.	Part No.	Description	Reqd. QTY	Serial No.	Parts catalogue code
			NF100MSH 3		
1	24701-KEV-900	PEDAL, GEAR CHANGE	1		
2	28300-KRS-830	ARM ASSY., KICK STARTER	1		
3	28311-342-000	RUBBER, KICK STARTER	1		
4	35350-KRS-830	SWITCH ASSY., RR. STOP	1		
5	35357-KW7-900	SPRING, STOP SWITCH	1		
6	43412-KRF-S00	JOINT, BRAKE ARM	1		
7	43413-KRF-S00	NUT, BRAKE ADJUSTING	1		
8	43451-KRS-830	ROD COMP., RR. BRAKE	1		
9	46500-KRS-830	PEDAL COMP., BRAKE	1		
10	46513-KRS-830	SPRING ASSY., RR. BRAKE RETURN	1		
11	46515-KRS-830	TUBE, BRAKE PEDAL SPRING	1		
12	92101-06020-OA	BOLT, HEX., 6X20	1		
13	92101-06022-OA	BOLT, HEX., 6X22	1		
14	94201-20150	PIN, SPLIT, 2.0X15	1		
15	95011-40000	RUBBER, CHANGE PEDAL	1		
16	95014-73100	SPRING A, BRAKE ROD	1		
17	95015-53000	PIN C, JOINT	1		



Service item	F.R.T.
BAR, L. PILLION STEP (INC. RELATIVE PART)	0.1
.BAR, R. PILLION STEP (INC. RELATIVE PART)	
.RUBBER, STEP (SAME TIME FOR TWO UNITS)	
.STAY, L. PILLION STEP	
.STAY, R. PILLION STEP	
BRACKET, L. PILLION STEP	0.2
.BRACKET, R. PILLION STEP	
BAR COMP., STEP	0.3

Ref. No.	Part No.	Description	Reqd. QTY NF100MSH 3	Serial No.	Parts catalogue code
1	50610-KRS-830	BAR COMP., STEP	1		
2	50622-KBA-900	RUBBER, STEP HOLDER	4		
3	50661-KRS-830	RUBBER, STEP	2		
4	50710-GN5-830	RUBBER, PILLION STEP	2		
5	50711-GN5-730	PLATE, PILLION STEP	2		
6	50713-KEV-900	STAY, R. PILLION STEP	1		
7	50713-KRS-830	BAR, R. PILLION STEP	1		
8	50714-KEV-900	STAY, L. PILLION STEP	1		
9	50714-KRS-830	BAR, L. PILLION STEP	1		
10	50715-KEV-900	BRACKET, R. PILLION STEP	1		
11	50716-KEV-900	BRACKET, L. PILLION STEP	1		
12	90116-KEV-900	COLLAR, PILLION STEP MOUNTING	2		
13	90117-KEV-900	RUBBER, PILLION STEP MOUNTING	2		
14	90118-KEV-900	COLLAR, MUFFLER MOUNTING	4		
15	92101-08020-0A	BOLT, HEX., 8X20	1		
16	92101-08028-0A	BOLT, HEX., 8X28	2		
17	92101-08035-0A	BOLT, HEX., 8X35	2		
18	93402-08020-00	BOLT-WASHER, 8X20	4		
19	94002-10000-0S	NUT, HEX., 10MM	2		
20	94101-06000	WASHER, PLAIN, 6MM	2		
21	94103-08000	WASHER, PLAIN, 8MM	3		
22	94201-16150	PIN, SPLIT, 1.6X15	2		
23	95015-83000	PIN C, PILLION STEP	2		





Service item	F.R.T.
SPRING A, SIDE STAND	0.1
BAR COMP., SIDE STAND	0.2
.SPRING D, MAIN STAND	
STAND COMP., MAIN	0.5

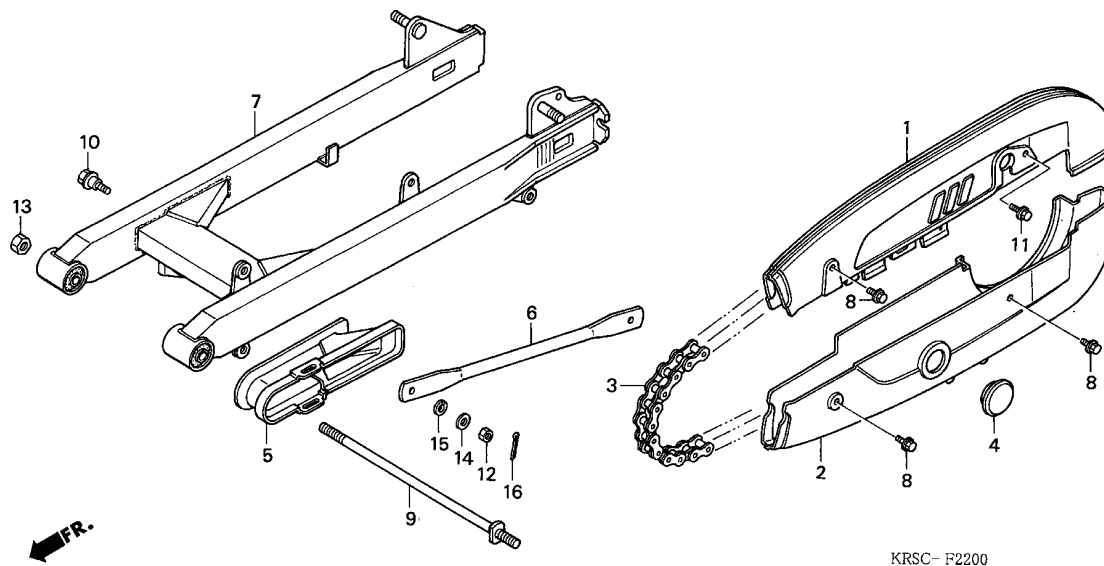
KRSV-F1900A

Ref. No.	Part No.	Description	Reqd. QTY NF100MSH 3	Serial No.	Parts catalogue code
1	50500-KRS-830	STAND COMP., MAIN	1		
2	50512-KRS-830	SHAFT, RR. BRAKE PIVOT	1		
3	50523-KRS-830	HOOK, MAIN STAND SPRING	1		
4	50524-GBJ-680	RUBBER, STAND STOPPER	1		
5	50530-KRS-830	BAR COMP., SIDE STAND	1		
6	90108-223-000	SCREW, SIDE STAND PIVOT	1		
7	94002-10000-0S	NUT, HEX., 10MM	1		
8	94201-30250	PIN, SPLIT, 3.0X25	1		
9	95014-71402	SPRING D, MAIN STAND	1		
10	95014-72102	SPRING A, SIDE STAND	1		

F-22

SWINGARM

G11



Service item	F.R.T.
CASE, UNDER HALF DRIVE CHAIN (SAME TIME FOR TWO UNITS)	0.1
CASE, UPPER HALF DRIVE CHAIN	
CHAIN, DRIVE	0.2
ARM, RR. BRAKE STOPPER	0.3
PACKING, DRIVE CHAIN CASE	0.5
SWINGARM ASSY., RR.	0.7

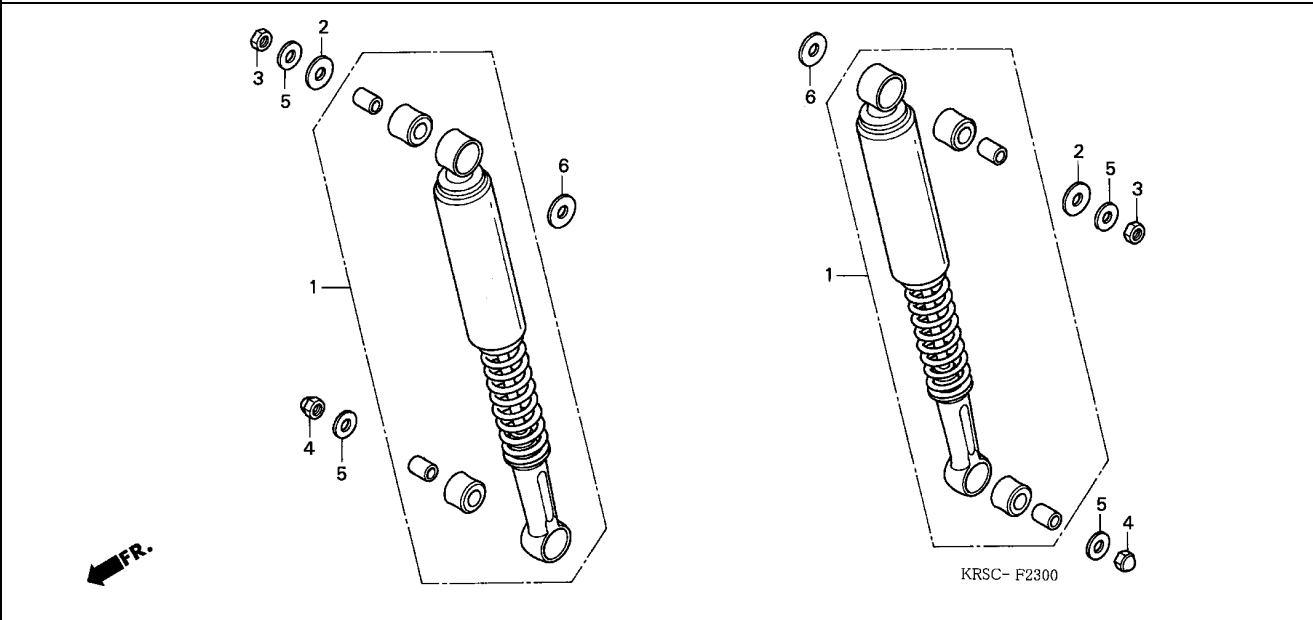
Ref. No.	Part No.	Description	Reqd. QTY NF100MSH 3	Serial No.	Parts catalogue code
1	40510-KRS-830ZA	CASE, UPPER HALF DRIVE CHAIN *NH364M*SHEEN SILVER METALLIC	1		
2	40520-KRS-830ZA	CASE, UNDER HALF DRIVE CHAIN *NH364M*SHEEN SILVER METALLIC	1		
3	40530-KRS-830	CHAIN, DRIVE (428-100L)	1		
4	40545-001-000	CAP, CHAIN CASE PEEP HOLE ...	1		
5	40591-KRS-830	PACKING, DRIVE CHAIN CASE ...	1		
6	43431-KRS-830	ARM, RR. BRAKE STOPPER	1		
7	52100-KRS-830ZA	SWINGARM ASSY., RR. *NH364M*SHEEN SILVER METALLIC	1		
8	90118-383-000	BOLT-WASHER, 6X6	3		
9	90121-KRS-830	BOLT, SWINGARM PIVOT	1		
10	92812-10000	BOLT A, STOPPER ARM	1		
11	93411-06010-00	BOLT-WASHER, 6X10	1		
12	94001-08000-OS	NUT, HEX., 8MM	1		
13	94002-10000-OS	NUT, HEX., 10MM	1		
14	94101-08000	WASHER, PLAIN, 8MM	1		
15	94111-10000	WASHER, SPRING, 10MM	1		
16	94201-20150	PIN, SPLIT, 2.0X15	1		

3

F-23

REAR CUSHION

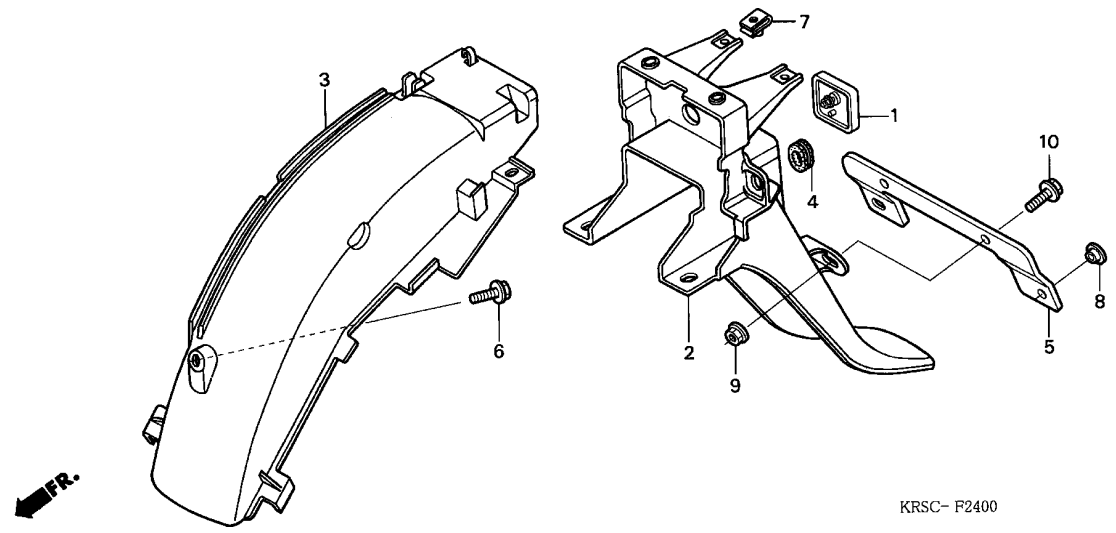
G12



Service item	F.R.T.
CUSHION ASSY., RR.	0.3
(ADD 0.1 FOR EACH.)	

3

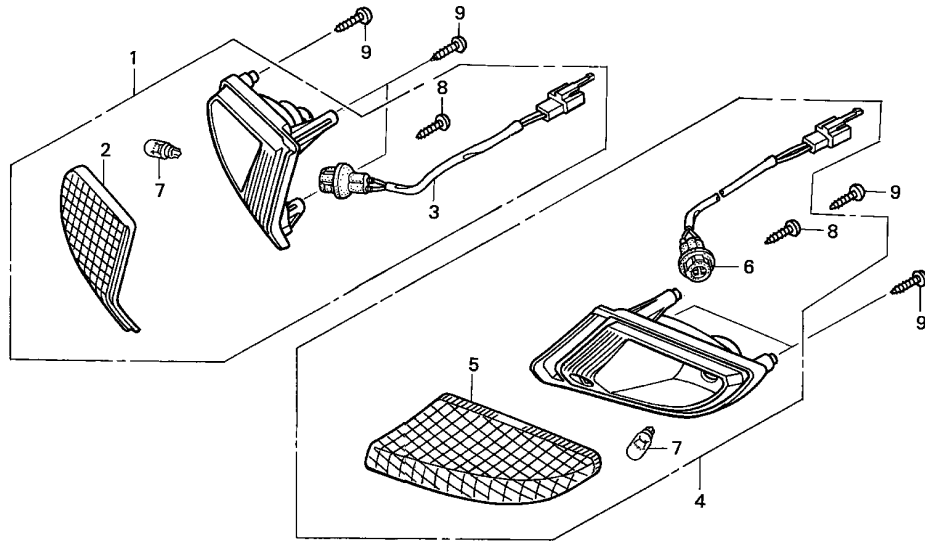
Ref. No.	Part No.	Description	Reqd. QTY	Serial No.	Parts catalogue code
			NF100MSH		
			3		
1	52400-KRS-830	CUSHION ASSY., RR.	2		
2	90528-KRS-830	WASHER, 10.2X20	2		
3	94001-10000-OS	NUT, HEX., 10MM	2		
4	94021-10000-OS	NUT, CAP, 10MM	2		
5	94101-10000	WASHER, PLAIN, 10MM	4		
6	94101-12000	WASHER, PLAIN, 12MM	2		



Service item	F.R.T.
FENDER, RR.	0.4
FENDER, RR. INNER	0.5

Ref. No.	Part No.	Description	Reqd. QTY NF100MSH 3	Serial No.	Parts catalogue code
1	33740-KRS-730	REFLECTOR, REFLEX	1		
2	80100-KRS-830	FENDER, RR.	1		
3	80101-KRS-830	FENDER, RR. INNER	1		
4	83551-GE2-000	GROMMET, AIR CLEANER CASE ...	2		
5	84701-KRS-830	BRACKET, NUMBER PLATE (RR.) -	1		
6	90111-162-000	BOLT, FLANGE, 6MM	1		
7	90344-KEV-900	NUT C, CLIP, 6MM	2		
8	90556-KR3-000	WASHER, CHAIN SLIDER	2		
9	94050-06000	NUT, FLANGE, 6MM	2		
10	95701-06014-00	BOLT, FLANGE, 6X14	2		





Service item	F.R.T.
BULB, WINKER	0.1
(SAME TIME FOR TWO UNITS)	
SOCKET COMP., L. WINKER	0.2
(SAME TIME FOR TWO UNITS)	
.SOCKET COMP., R. WINKER	
.WINKER ASSY., FR.	
(ADD 0.1 FOR EACH.)	
(INC. RELATIVE PART)	

KRSC-F2500

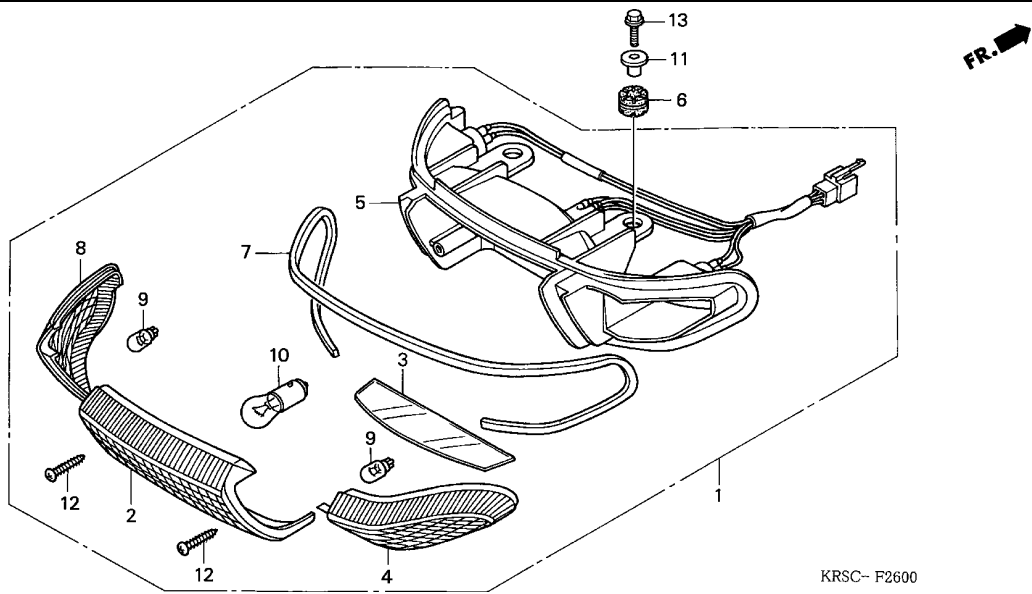
3

Ref. No.	Part No.	Description	Reqd. QTY NF100MSH 3	Serial No.	Parts catalogue code
1	33400-KRS-830	WINKER ASSY., R. FR. (12V 10W)	1		
2	33402-KRS-830	LENS, R. FR. WINKER	1		
3	33406-KRS-830	SOCKET COMP., R. WINKER	1		
4	33450-KRS-830	WINKER ASSY., L. FR. (12V 10W)	1		
5	33452-KRS-830	LENS, L. FR. WINKER	1		
6	33456-KRS-830	SOCKET COMP., L. WINKER	1		
7	34905-KRS-830	BULB, WINKER (12V 10W)	2		
8	93901-24410	SCREW, TAPPING, 4X16	2		
9	93903-34380	SCREW, TAPPING, 4X12	6		

F-26

REAR COMBINATION LIGHT

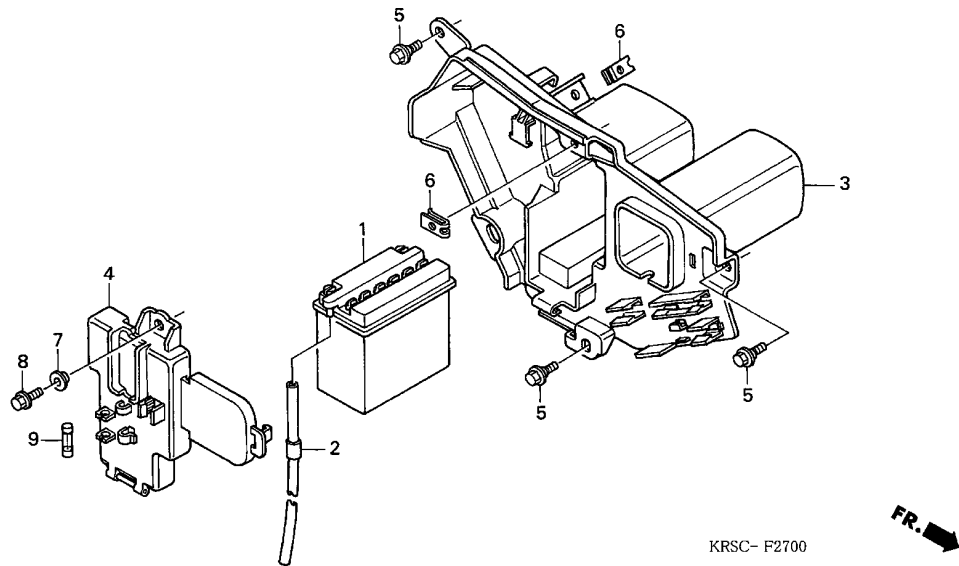
G15



Service item	F.R.T.
BULB, TAILLIGHT	0.1
.BULB, WINKER (SAME TIME FOR TWO UNITS OR MORE)	
LIGHT ASSY., RR. COMBINATION .	0.3

Ref. No.	Part No.	Description	Reqd. QTY NF100MSH 3	Serial No.	Parts catalogue code
1	33700-KRS-830	LIGHT ASSY., RR. COMBINATION	1		
2	33701-KRS-830	LENS, TAILLIGHT	1		
3	33702-KRS-830	LENS, LICENSE	1		
4	33703-KRS-830	LENS, R. RR. WINKER	1		
5	33704-KRS-830	BASE COMP., RR. COMBINATION .	1		
6	33705-KW7-900	RUBBER A, TAILLIGHT MOUNTING	2		
7	33729-KRS-830	PACKING	1		
8	33753-KRS-830	LENS, L. RR. WINKER	1		
9	34905-KRS-830	BULB, WINKER (12V 10W)	2		
10	34906-KRS-830	BULB, TAILLIGHT	1		
11	61104-428-000	COLLAR, FR. FENDER	2		
12	93901-24510	SCREW, TAPPING, 4X20	2		
13	95701-06025-00	BOLT, FLANGE, 6X25	2		

3



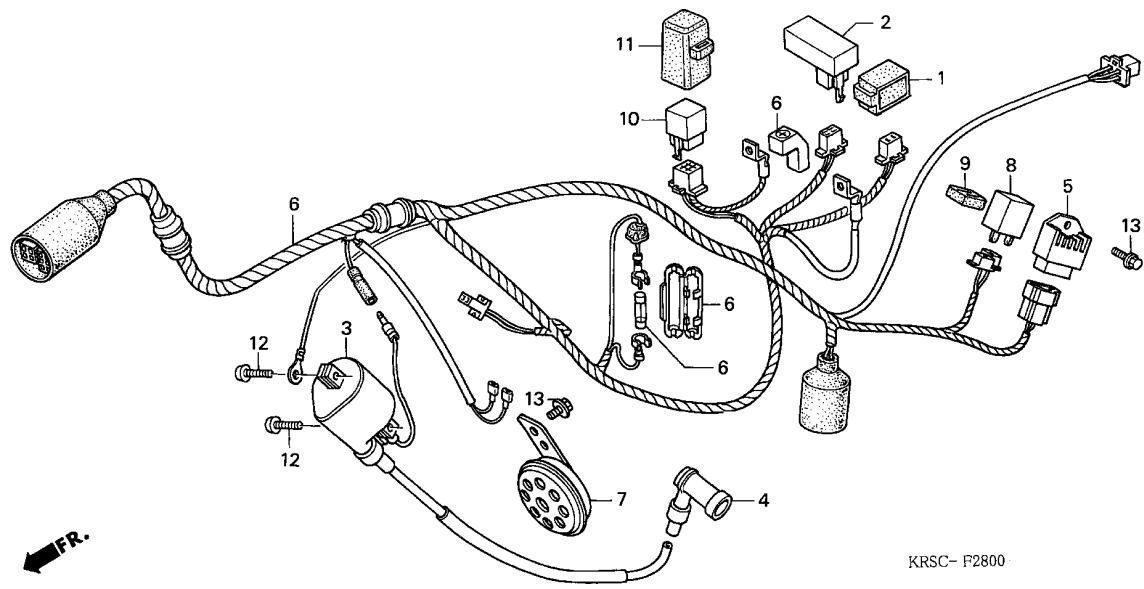
Service item	F.R.T.
BATTERY	0.2
CASE, BATTERY	0.3

KRSC- F2700



3

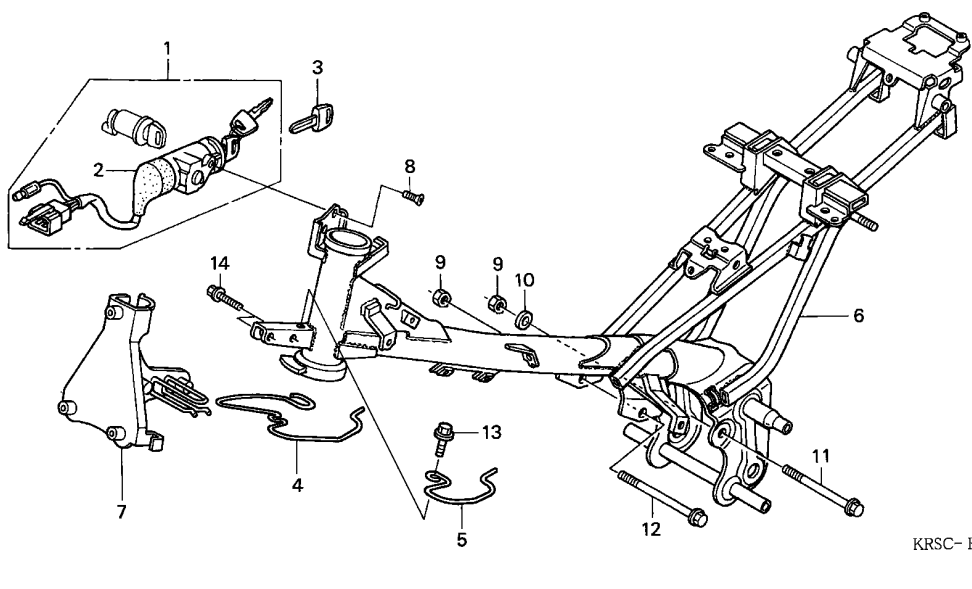
Ref. No.	Part No.	Description	Reqd. QTY NF100MSH 3	Serial No.	Parts catalogue code
1	31500-KRS-730	BATTERY	1		
	31500-KRS-740	1		
2	31502-KRS-730	TUBE, BATTERY BREATHER	1		
	31502-KRS-740	1		
3	50380-KRS-830	CASE, BATTERY	1		
4	50382-KRS-830	HINGE, BATTERY	1		
5	90111-162-000	BOLT, FLANGE, 6MM	3		
6	90344-KEV-900	NUT C, CLIP, 6MM	2		
7	90504-KBP-900	COLLAR, MIDDLE COVER	1		
8	92301-06014-0A	BOLT, RECESSED, 6X14	1		
9	98200-11000	FUSE A (10A)	1		



Service item	F.R.T.
HORN ASSY.	0.2
RELAY COMP., STARTER	0.3
.RELAY COMP., WINKER	
C.D.I. UNIT	0.4
COIL ASSY., IGNITION	0.5
.RECTIFIER COMP., REGULATOR	
HARNESS, WIRE	1.2

Ref. No.	Part No.	Description	Reqd. QTY	Serial No.	Parts catalogue code
			NF100MSH 3		
1	30401-GK8-000	CUSHION, C.D.I. UNIT	1		
2	30410-KRS-830	C.D.I. UNIT	1		
3	30500-KRS-730	COIL ASSY., IGNITION	1		
4	30700-KRS-830	CAP ASSY., NOISE SUPPRESSOR ..	1		
5	31600-KRS-830	RECTIFIER COMP., REGULATOR ..	1		
6	32100-KRS-830	HARNESS, WIRE	1	----- CH,2CH	
	32100-KRS-850	1	----- 3CH	
7	38110-KRS-830	HORN ASSY.	1		
8	38301-KRF-T00	RELAY COMP., WINKER	1		
9	38306-KRS-830	SUSPENSION, WINKER RELAY	1		
10	38501-KRS-830	RELAY COMP., STARTER	1		
11	38506-KRS-830	SUSPENSION, STARTER RELAY ...	1		
12	93500-05020-0A	SCREW, PAN, 5X20	2		
13	95701-06012-00	BOLT, FLANGE, 6X12	2		

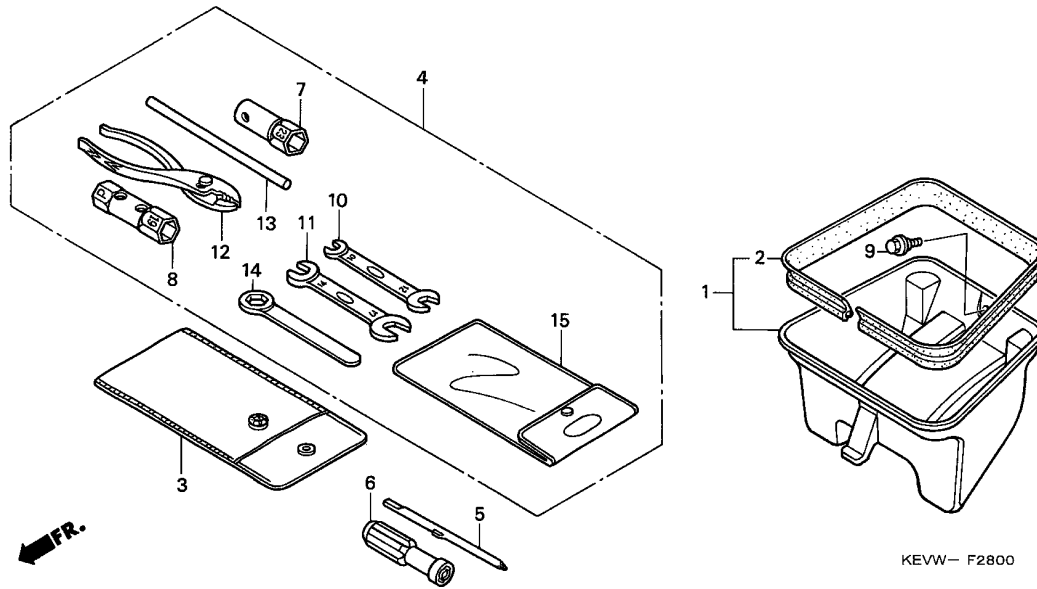




Service item	F.R.T.
STAY, FR. TOP COVER	0.4
SWITCH ASSY., COMBINATION & LOCK	0.6
KEY SET	0.8
BODY COMP., FRAME	*5.0

3

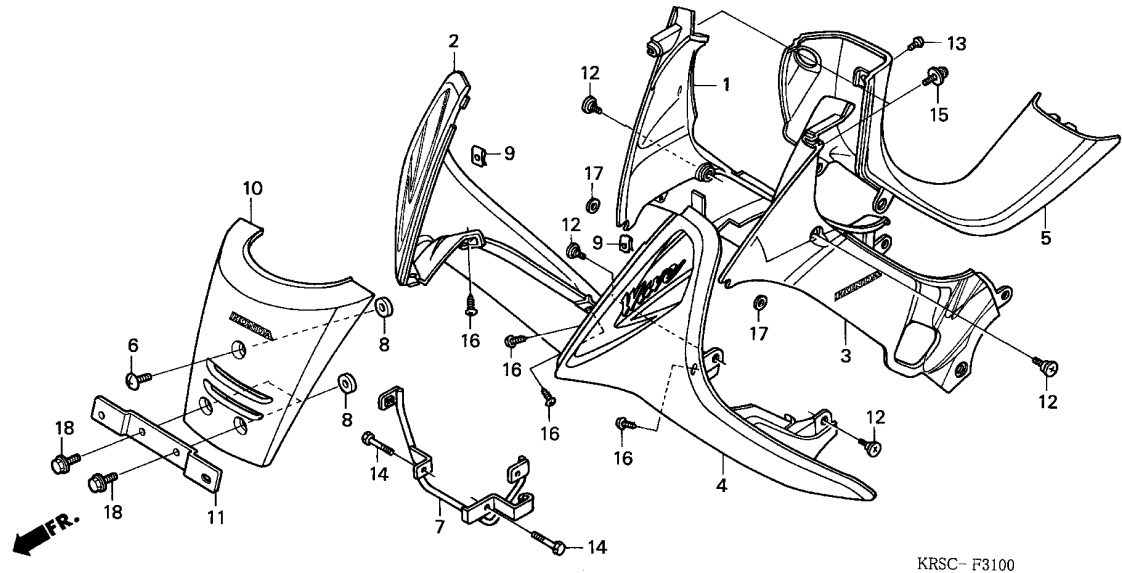
Ref. No.	Part No.	Description	Reqd. QTY	Serial No.	Parts catalogue code
			NF100MSH 3		
1	35010-KRS-830	KEY SET	1		
2	35100-KRS-830	SWITCH ASSY., COMBINATION & LOCK	1		
3	35121-KRS-830	KEY, BLANK	(1)		
4	45455-KEV-650	GUIDE, CABLE	1	-----	3CH
5	45455-KEV-880	GUIDE, CABLE	1	-----	CH,2CH
6	50100-KRS-830	BODY COMP., FRAME	1		
7	64221-KRS-830	STAY, FR. TOP COVER	1	-----	CH,2CH
	64221-KRS-850	1	-----	3CH
8	90164-028-000	SCREW, U-LOCK FLAT, 6X12	2		
9	94030-08000	NUT, HEX., 8MM	2		
10	94111-08000	WASHER, SPRING, 8MM	1		
11	95301-08100-00	BOLT, HEX., 8X100	1		
12	95301-08110-08	BOLT, HEX., 8X110	1		
13	95701-06012-00	BOLT, FLANGE, 6X12	1		
14	95701-08032-00	BOLT, FLANGE, 8X32	2		



Service item	F.R.T.
BOX COMP., UTILITY	0.1

Ref. No.	Part No.	Description	Reqd. QTY NF100MSH 3	Serial No.	Parts catalogue code
1	80140-KRS-830	BOX COMP., UTILITY	1		
2	80160-KEV-900	RUBBER, SEAL	1		
3	83642-171-000	BAG, OWNERS MANUAL	1		
4	89010-KEV-900	TOOL SET	1		
5	89102-538-000	SHAFT, SCREW DRIVER	1		
6	89103-538-000	GRIP	1		
7	89214-041-000	WRENCH, BOX (23MM)	1		
8	89216-GBG-770	WRENCH, SPARK PLUG	1		
9	90111-162-000	BOLT, FLANGE, 6MM	1		
10	99001-10120	SPANNER, 10X12	1		
11	99001-14170	SPANNER, 14X17	1		
12	99002-13500	PLIERS, 135	1		
13	99005-02000	BAR B, HANDLE	1		
14	99006-19000	WRENCH, EYE, 19MM	1		
15	99008-01600	BAG, TOOL, 160MM	1		



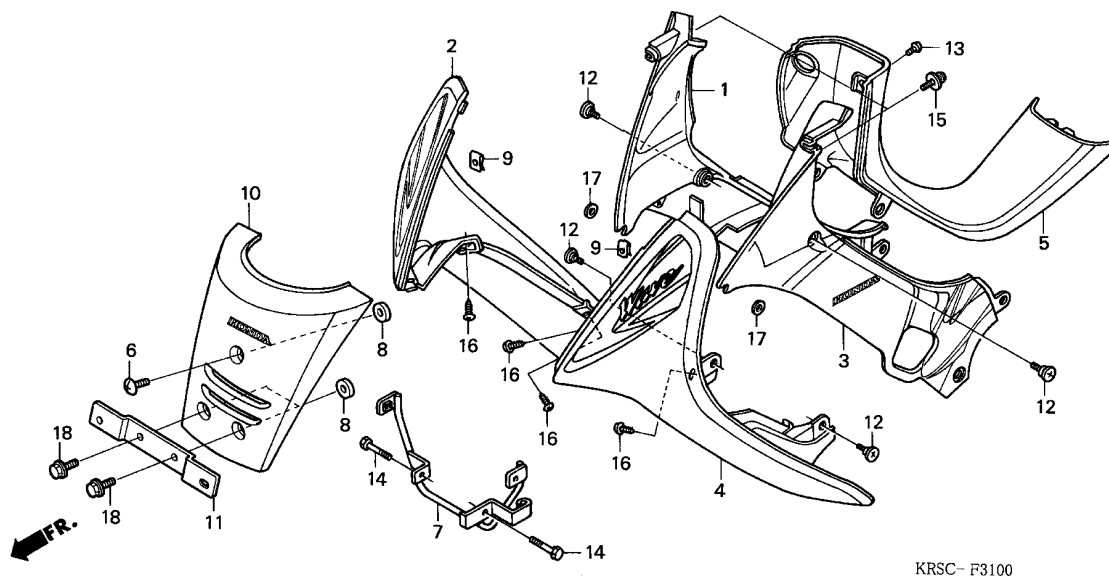


KRSC-F3100

Service item	F.R.T.
COVER SET, FR. TOP	0.1
COVER SET, L. MAIN PIPE	0.2
(ADD 0.1 FOR EACH.)	
.COVER SET, R. MAIN PIPE	
.COVER, MAIN PIPE	
.SHIELD, L. LEG	
(ADD 0.1 FOR EACH.)	
.SHIELD, R. LEG	
.STAY, LEG SHIELD	

3

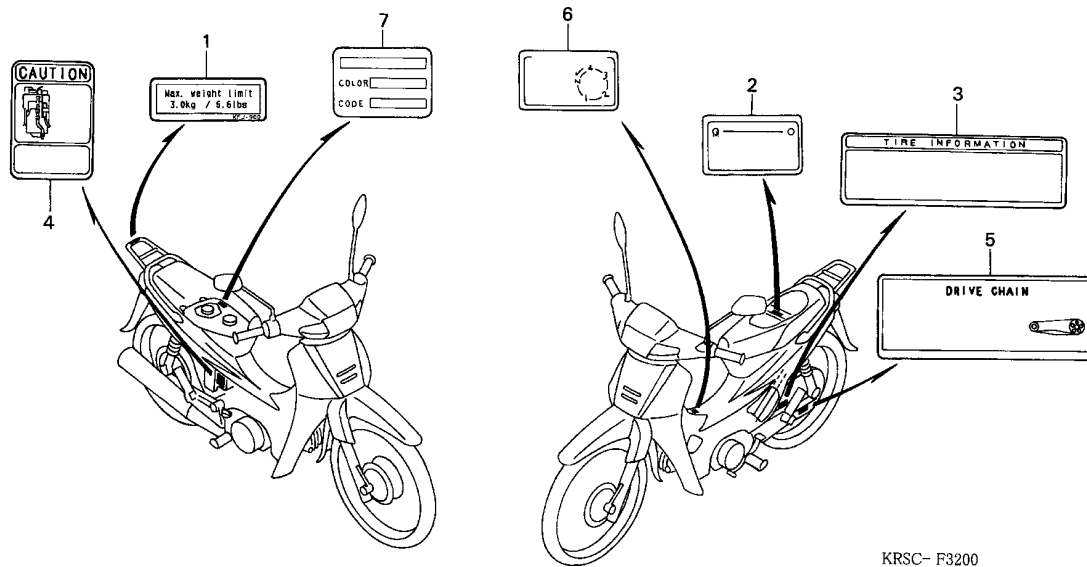
Ref. No.	Part No.	Description	Reqd. QTY	Serial No.	Parts catalogue code
			NF100MSH 3		
1	64200-KRS-830ZA	COVER SET, R. MAIN PIPE	1		
		TYPE1(WL)			
	64200-KRS-830ZB	COVER SET, R. MAIN PIPE	1		
		TYPE2(WL)			
	64200-KRS-830ZC	COVER SET, R. MAIN PIPE	1		
		TYPE3(WL)			
	64200-KRS-830ZD	COVER SET, R. MAIN PIPE	1		
		TYPE4(WL)			
2	64210-KRS-830ZA	SHIELD, R. LEG	--	1	
		TYPE1(WL)			
	64210-KRS-830ZB	SHIELD, R. LEG	--	1	
		TYPE2(WL)			
	64210-KRS-830ZC	SHIELD, R. LEG	--	1	
		TYPE3(WL)			
	64210-KRS-830ZD	SHIELD, R. LEG	--	1	
		TYPE4(WL)			
3	64250-KRS-830ZA	COVER SET, L. MAIN PIPE	1		
		TYPE1(WL)			
	64250-KRS-830ZB	COVER SET, L. MAIN PIPE	1		
		TYPE2(WL)			
	64250-KRS-830ZC	COVER SET, L. MAIN PIPE	1		
		TYPE3(WL)			
	64250-KRS-830ZD	COVER SET, L. MAIN PIPE	1		
		TYPE4(WL)			
4	64260-KRS-830ZA	SHIELD, L. LEG	--	1	
		TYPE1(WL)			
	64260-KRS-830ZB	SHIELD, L. LEG	--	1	
		TYPE2(WL)			
	64260-KRS-830ZC	SHIELD, L. LEG	--	1	
		TYPE3(WL)			
	64260-KRS-830ZD	SHIELD, L. LEG	--	1	
		TYPE4(WL)			
5	64320-KRS-830ZA	COVER, MAIN PIPE	1		
		NH1.....BLACK			
6	64321-GN5-830	SCREW, FR. COVER	1		
7	64410-KRS-830	STAY, LEG SHIELD	1		



KRSC-F3100

Ref. No.	Part No.	Description	Reqd. QTY NF100MSH 3	Serial No.	Parts catalogue code
8	64510-KEV-900	CUSHION, FR. TOP COVER	3		
9	64521-MN5-000	NUT, CLIP, 4MM	2		
10	64550-KRS-830ZA	COVER SET, FR. TOP *TYPE1*(WL)	1		
	64550-KRS-830ZB	COVER SET, FR. TOP *TYPE2*(WL)	1		
	64550-KRS-830ZC	COVER SET, FR. TOP *TYPE3*(WL)	1		
	64550-KRS-830ZD	COVER SET, FR. TOP *TYPE4*(WL)	1		
11	81110-KRS-830	BRACKET, FR. NUMBER PLATE ...	1		
12	90107-KW7-900	BOLT, FAIRING SETTING	5		
13	91509-GE2-760	SCREW, PAN, 5X11.5	1		
14	92101-06020-0A	BOLT, HEX., 6X20	2		
15	93891-04020-07	SCREW-WASHER, 4X20	2		
16	93903-25210	SCREW, TAPPING, 5X12	6		
17	94101-10000	WASHER, PLAIN, 10MM	2		
18	95701-06020-08	BOLT, FLANGE, 6X20	2		



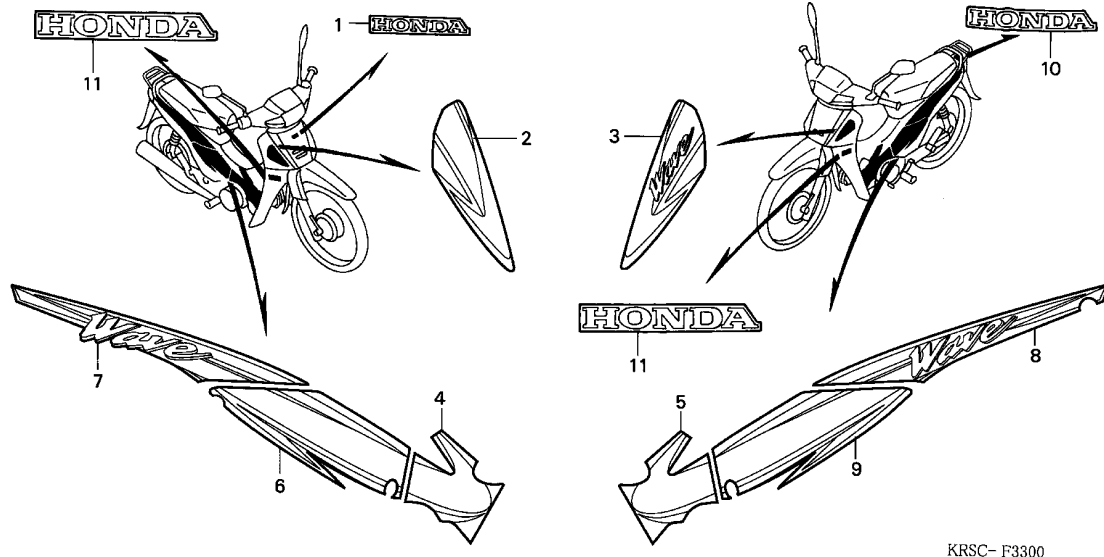


KRSC- F3200

Service item F.R.T.
NOT INFORMATION

3

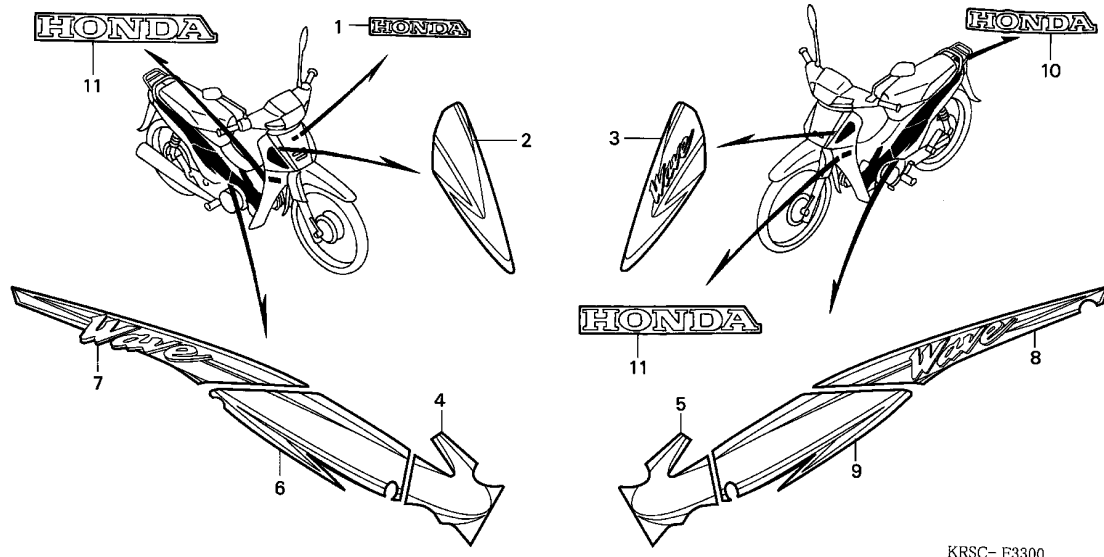
Ref. No.	Part No.	Description	Reqd. QTY NF100MSH 3	Serial No.	Parts catalogue code
1	81220-KFJ-900	LABEL, RR. CARRIER	1		
2	87501-KRS-830	PLATE, REGISTERED NUMBER	1		
3	87505-KRS-830	LABEL, TIRE	1		
4	87506-KRS-830	MARK, BATTERY CAUTION	1		
5	87507-KRS-830	LABEL, DRIVE CHAIN	1		
6	87560-KRS-830ZA	MARK, DRIVE CAUTION *TWHITE*.....WHITE	1		
7	87565-KRS-830ZA	LABEL, COLOR *TYPE1*(NHA06) -	1		
	87565-KRS-830ZB	LABEL, COLOR *TYPE2*(NHA05) -	1		
	87565-KRS-830ZC	LABEL, COLOR *TYPE3*(G178) --	1		
	87565-KRS-830ZD	LABEL, COLOR *TYPE4*(R283) --	1		



KRSC- F3300

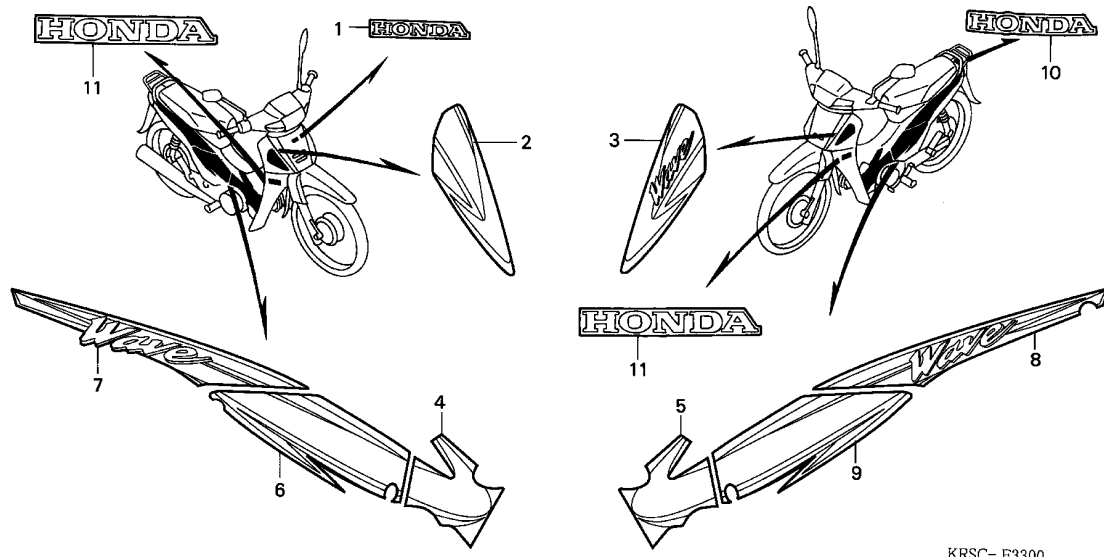
Service item F.R.T.
NOT INFORMATION

Ref. No.	Part No.	Description	Reqd. QTY NF100MSH 3	Serial No.	Parts catalogue code
1	87101-KRS-830ZA	MARK, FR. TOP COVER *TYPE1* (HONDA)	1		
	87101-KRS-830ZB	MARK, FR. TOP COVER *TYPE2* (HONDA)	1		
	87101-KRS-830ZC	MARK, FR. TOP COVER *TYPE3* (HONDA)	1		
	87101-KRS-830ZD	MARK, FR. TOP COVER *TYPE4* (HONDA)	1		
2	87102-KRS-830ZA	STRIPE, R. LEG SHIELD *TYPE1*	1		
	87102-KRS-830ZB	STRIPE, R. LEG SHIELD *TYPE2*	1		
	87102-KRS-830ZC	STRIPE, R. LEG SHIELD *TYPE3*	1		
	87102-KRS-830ZD	STRIPE, R. LEG SHIELD *TYPE4*	1		
3	87103-KRS-830ZA	STRIPE, L. LEG SHIELD *TYPE1*	1		
	87103-KRS-830ZB	STRIPE, L. LEG SHIELD *TYPE2*	1		
	87103-KRS-830ZC	STRIPE, L. LEG SHIELD *TYPE3*	1		
	87103-KRS-830ZD	STRIPE, L. LEG SHIELD *TYPE4*	1		
4	87104-KRS-830ZA	STRIPE, R. MAIN PIPE SIDE COVER *TYPE1*	1		
	87104-KRS-830ZB	STRIPE, R. MAIN PIPE SIDE COVER *TYPE2*	1		
	87104-KRS-830ZC	STRIPE, R. MAIN PIPE SIDE COVER *TYPE3*	1		
	87104-KRS-830ZD	STRIPE, R. MAIN PIPE SIDE COVER *TYPE4*	1		
5	87105-KRS-830ZA	STRIPE, L. MAIN PIPE SIDE COVER *TYPE1*	1		
	87105-KRS-830ZB	STRIPE, L. MAIN PIPE SIDE COVER *TYPE2*	1		



KRSC- F3300

Ref. No.	Part No.	Description	Reqd. QTY NF100MSH 3	Serial No.	Parts catalogue code
(5)	87105-KRS-830ZC	STRIPE, L. MAIN PIPE SIDE COVER *TYPE3*	1		
	87105-KRS-830ZD	STRIPE, L. MAIN PIPE SIDE COVER *TYPE4*	1		
6	87106-KRS-830ZA	STRIPE, R. SIDE COVER *TYPE1*	1		
	87106-KRS-830ZB	STRIPE, R. SIDE COVER *TYPE2*	1		
	87106-KRS-830ZC	STRIPE, R. SIDE COVER *TYPE3*	1		
	87106-KRS-830ZD	STRIPE, R. SIDE COVER *TYPE4*	1		
7	87107-KRS-830ZA	STRIPE, R. BODY COVER *TYPE1*	1		
	87107-KRS-830ZB	STRIPE, R. BODY COVER *TYPE2*	1		
	87107-KRS-830ZC	STRIPE, R. BODY COVER *TYPE3*	1		
	87107-KRS-830ZD	STRIPE, R. BODY COVER *TYPE4*	1		
8	87108-KRS-830ZA	STRIPE A, L. BODY COVER *TYPE1*	1		
	87108-KRS-830ZB	STRIPE A, L. BODY COVER *TYPE2*	1		
	87108-KRS-830ZC	STRIPE A, L. BODY COVER *TYPE3*	1		
	87108-KRS-830ZD	STRIPE A, L. BODY COVER *TYPE4*	1		
9	87109-KRS-830ZA	STRIPE B, L. BODY COVER *TYPE1*	1		
	87109-KRS-830ZB	STRIPE B, L. BODY COVER *TYPE2*	1		
	87109-KRS-830ZC	STRIPE B, L. BODY COVER *TYPE3*	1		
	87109-KRS-830ZD	STRIPE B, L. BODY COVER *TYPE4*	1		



KRSC- F3300

Ref. No.	Part No.	Description	Reqd. QTY NF100MSH 3	Serial No.	Parts catalogue code
10	87110-KRS-830ZA	MARK, TAIL COVER *TYPE1*	1		
		(HONDA)			
	87110-KRS-830ZB	MARK, TAIL COVER *TYPE2*	1		
		(HONDA)			
	87110-KRS-830ZC	MARK, TAIL COVER *TYPE3*	1		
		(HONDA)			
	87110-KRS-830ZD	MARK, TAIL COVER *TYPE4*	1		
		(HONDA)			
11	87130-KRS-830ZA	MARK, HONDA *TYPE1*(110MM)	2		
	87130-KRS-830ZB	MARK, HONDA *TYPE2*(110MM)	2		
	87130-KRS-830ZC	MARK, HONDA *TYPE3*(110MM)	2		
	87130-KRS-830ZD	MARK, HONDA *TYPE4*(110MM)	2		



PART NO. INDEX

14

Part Number	Address	Page	Ref.	Part Number	Address	Page	Ref.	Part Number	Address	Page	Ref.	Part Number	Address	Page	Ref.
91208-KRS-830	E2	41	18	93600-06016-0A	D12	35	19	94201-30250	G10	70	8	96100-60000-00	D8	31	17
91212-KRS-830	D12	35	16	93700-05016-0A	F2	46	18	94510-16000	E3	42	10	96100-60010-00	E1	40	25
91251-KRS-830	F10	54	14		F14	58	17					96100-62010-00	E1	40	26
91257-KRS-830	F9	53	16	93700-05020-0A	F10	54	15	95000				96100-62030-00	E1	40	27
91258-KRS-850	F14	58	15	93891-04016-07	F6	50	21					96140-62010-10	F16	60	22
91301-027-000	F2	46	17	93891-04020-07	H5	81	15	95001-55075-40	G3	63	10	96140-62030-10	F16	60	23
91301-KRS-830	D12	35	17	93892-03008-18	E5	44	32	95002-02100	E5	44	34		G2	62	19
91302-KRS-830	D1	24	13	93892-04006-08	D13	36	4		G3	63	11	96140-63010-10	F12	56	12
91303-KRS-830	D5	28	6	93892-04014-18	E5	44	33	95002-02130	D14	37	10		F13	57	9
91304-KRS-830	D2	25	11	93893-04012-17	F4	48	20	95002-41300-08	G6	66	18		F16	60	24
91305-KRS-830	D2	25	12	93894-06016-08	G5	65	9	95005-35280-50	E5	44	35	96150-62010-10	G2	62	20
91306-KRS-830	D2	25	13	93901-24310	G6	66	16	95011-40000	G8	68	15	96150-63010-10	F14	58	18
91307-KRS-830	D6	29	12	93901-24410	G14	74	8	95014-62100	F3	47	21		G2	62	21
91308-KRS-830	D10	33	9	93901-24510	G15	75	12	95014-71402	G10	70	9	96220-30085	E2	41	20
91309-KRS-830	D10	33	10	93903-22280	G4	64	20	95014-72102	G10	70	10	96700-06016-10	E2	41	21
91310-KRS-830	E2	41	19	93903-24420	F2	46	19	95014-73100	G8	68	16				
91311-KRS-830	D5	28	7	93903-25210	H5	81	16	95015-53000	G8	68	17	97000			
91312-KRS-830	D6	29	13	93903-25310	F2	46	20	95015-83000	G9	69	23				
91317-KRS-830	D12	35	18		G6	66	17	95301-08100-00	H2	78	11	97172-21158-F0	F12	56	13
91509-GE2-760	G5	65	8	93903-34380	F6	50	22	95301-08110-08	H2	78	12	97282-41158-R0	G1	61	25
	H5	81	13		G14	74	9	95701-06012-00	G3	63	12	97548-21156-F0	F12	56	14
92000				94000					G4	64	23	97548-41157-R0	G1	61	26
									H1	77	13				
									H2	78	13	98000			
92101-06010-0A	E1	40	24	94001-05000-0S	F3	47	20	95701-06014-00	G13	73	10				
92101-06012-0A	G6	66	14	94001-06000-0S	F15	59	16	95701-06018-00	D4	27	18	98200-11000	G16	76	9
92101-06020-0A	D8	31	16		F16	60	21	95701-06020-08	H5	81	18				
	G8	68	12		G2	62	18	95701-06022-07	F4	48	22	99000			
	H5	81	14	94001-06070-0S	G3	63	9	95701-06025-00	G15	75	13				
92101-06022-0A	G8	68	13		G4	64	21	95701-06028-00	F10	54	16	99001-10120	H3	79	10
92101-06045-0A	D13	36	3	94001-08000	F15	59	17	95701-06035-00	F15	59	19	99001-14170	H3	79	11
92101-08020-0A	G9	69	15	94001-08000-0S	G11	71	12	95701-06110-00	D1	24	14	99002-13500	H3	79	12
92101-08025-0H	F6	50	20	94001-10000-0S	G12	72	3	95701-08014-00	G4	64	24	99005-02000	H3	79	13
92101-08028-0A	G9	69	16	94002-10000-0S	G9	69	19	95701-08016-00	G3	63	13	99006-19000	H3	79	14
92101-08035-0A	G9	69	17		G10	70	7	95701-08032-00	H2	78	14	99008-01600	H3	79	15
92301-06014-0A	G16	76	8		G11	71	13	95801-10045-00	F7	51	13	99131-KRS-0720	E5	44	36
92800-12000	D14	37	9	94021-05020-0S	G5	65	10					99133-KRS-0150	E5	44	37
92811-10000	F15	59	15	94021-10000-0S	G12	72	4	96000							
92812-10000	G11	71	10	94030-08000	D6	29	14								
92911-06018-0E	F14	58	16		H2	78	9	96001-06010-00	D12	35	20				
93000				94050-06000	F4	48	21	96001-06012-00	D10	33	11				
					G13	73	9	96001-06014-00	F8	52	8				
93301-05006-0H	D11	34	5	94050-10000	D11	34	7	96001-06016-00	D10	33	12				
93301-05010-0H	D11	34	6	94101-05000	G7	67	6		F8	52	9				
93402-08020-00	G9	69	18	94101-06000	G9	69	20	96001-06020-00	D1	24	15				
93411-06010-00	G11	71	11	94101-08000	G11	71	14	96001-06022-00	D11	34	8				
93500-03006-1H	E5	44	30	94101-10000	G12	72	5	96001-06025-00	D2	25	14				
93500-05008-0A	D7	30	20		H5	81	17	96001-06025-07	F3	47	22				
93500-05008-4J	G7	67	5	94101-12000	G12	72	6	96001-06028-00	D2	25	15				
93500-05010-0A	D9	32	8	94103-05200	G5	65	11		D10	33	13				
93500-05010-1H	E5	44	31	94103-06000	G4	64	22	96001-06032-00	D10	33	14				
93500-05020-0A	G6	66	15	94103-08000	G9	69	21	96001-06040-00	D6	29	15				
	H1	77	12	94111-05000	G7	67	7	96001-06050-00	D10	33	15				
93500-05020-0G	F3	47	18	94111-08000	H2	78	10		D14	37	11				
93500-05025-0G	F3	47	19	94111-10000	G11	71	15	96001-06060-00	D14	37	12				
93500-06016-0A	D9	32	9	94201-16150	G9	69	22	96001-06065-00	D6	29	16				
93500-06022-0A	D9	32	10	94201-20150	F15	59	18		D14	37	13				
93600-04012-1G	F4	48	19		G8	68	14	96001-06070-00	D10	33	16				
					G11	71	16	96001-06080-00	D6	29	17				

4

PART NAME INDEX

J 1

Part name	Address	Page	Ref.	Part name	Address	Page	Ref.	Part name	Address	Page	Ref.
[A]				BOLT, ADAPTER	F3	47	14	BOLT, HEX., 6X45	D13	36	3
ADJUSTER, L. CHAIN	F16	60	2	BOLT, ADJUSTING	F1	45	5	BOLT, HEX., 8X100	H2	78	11
	G2	62	2	BOLT, CLUTCH ADJUSTING	D6	29	7	BOLT, HEX., 8X110	H2	78	12
ADJUSTER, R. CHAIN	F15	59	2	BOLT, DRAIN PLUG, 12MM	D14	37	9	BOLT, HEX., 8X20	G9	69	15
ARM ASSY., KICK STARTER	G8	68	2	BOLT, FAIRING SETTING	G5	65	6	BOLT, HEX., 8X25	F6	50	20
ARM COMP., CAM CHAIN TENSIONER	D4	27	3		H5	81	12	BOLT, HEX., 8X28	G9	69	16
ARM COMP., GEARSHIFT	E2	41	13	BOLT, FLANGE, 10X45	F7	51	13	BOLT, HEX., 8X35	G9	69	17
ARM COMP., SHIFT DRUM STOPPER	E2	41	10	BOLT, FLANGE, 10X50	F6	50	17	BOLT, HS, 6MM	D2	25	9
ARM, FR. BRAKE	F10	54	11	BOLT, FLANGE, 6MM	G13	73	6		D5	28	3
ARM, RR. BRAKE	F15	59	10		G16	76	5	BOLT, KNOCK, 5MM	D4	27	14
ARM, RR. BRAKE STOPPER	G11	71	6	BOLT, FLANGE, 6X10	H3	79	9	BOLT, KNOCK, 6MM	E2	41	17
ARM, VALVE ROCKER	D3	26	4		D12	35	20	BOLT, OIL, 10X22	F4	48	16
AXLE, FR. WHEEL	F12	56	3	BOLT, FLANGE, 6X110	F4	48	14	BOLT, RECESSED, 6X14	G16	76	8
	F13	57	2		D1	24	14	BOLT, SEALING, 14MM	D4	27	13
	F14	58	2	BOLT, FLANGE, 6X12	D10	33	11	BOLT, SOCKET, 6X16	E2	41	21
AXLE, RR. WHEEL	F15	59	3		G3	63	12	BOLT, SOCKET, 8MM	F9	53	13
					G4	64	23	BOLT, SPECIAL FLANGE, 6X22	D8	31	12
					H1	77	13	BOLT, STUD, 6X18	F14	58	16
					H2	78	13	BOLT, STUD, 6X32	D2	25	8
					H2	78	13	BOLT, STUD, 8X19.5	F16	60	15
					F8	52	8		G2	62	12
					G13	73	10	BOLT, SWINGARM PIVOT	G11	71	9
					D10	33	12	BOOT B	F11	55	10
					F8	52	9	BOOT COMP.	F4	48	5
					D4	27	18	BOOT, PIN BUSH	F11	55	9
BAG, OWNERS MANUAL	H3	79	3	BOLT, FLANGE, 6X18	D1	24	15	BOX ASSY., SPEEDOMETER GEAR	F14	58	8
BAG, TOOL, 160MM	H3	79	15	BOLT, FLANGE, 6X20	H5	81	18	BOX COMP., UTILITY	H3	79	1
BALL SET, STEEL,	F7	51	1		D11	34	8	BRACKET SUB ASSY., R. FR.			
					F4	48	22	CALIPER	F11	55	16
BAND B1, WIRE	F3	47	21	BOLT, FLANGE, 6X22	D2	25	14	BRACKET, FR. NUMBER PLATE	H5	81	11
BAND B, AIR CLEANER CONNECTING					F3	47	22	BRACKET, L. PILLION STEP	G9	69	11
TUBE	G6	66	11	BOLT, FLANGE, 6X25	F3	47	22	BRACKET, NUMBER PLATE	G13	73	5
BAR B, HANDLE	H3	79	13		G15	75	13	BRACKET, R. HANDLE LEVER	F3	47	9
BAR COMP., SIDE STAND	G10	70	5	BOLT, FLANGE, 6X28	D2	25	15	BRACKET, R. PILLION STEP	G9	69	10
BAR COMP., STEP	G9	69	1		D10	33	13	BULB, HEADLIGHT	F1	45	3
BAR, L. PILLION STEP	G9	69	9		F10	54	16	BULB, TAILLIGHT	G15	75	10
BAR, R. PILLION STEP	G9	69	7	BOLT, FLANGE, 6X32	D10	33	14	BULB, WEDGE BASE	F1	45	4
BASE COMP., RR. COMBINATION ..	G15	75	5	BOLT, FLANGE, 6X35	F15	59	19		F2	46	1
BATTERY	G16	76	1	BOLT, FLANGE, 6X40	D6	29	15				
BEARING, CONNECTING ROD	D15	38	11	BOLT, FLANGE, 6X50	D10	33	15				
BEARING, NEEDLE, 19X23X13	D12	35	12		D14	37	11				
BEARING, RADIAL BALL, 6000	D8	31	17	BOLT, FLANGE, 6X60	D14	37	12				
BEARING, RADIAL BALL, 6001	E1	40	25	BOLT, FLANGE, 6X65	D6	29	16	BULB, WINKER	G14	74	7
BEARING, RADIAL BALL, 6201	E1	40	26		D14	37	13		G15	75	9
BEARING, RADIAL BALL, 6201U	F16	60	22	BOLT, FLANGE, 6X70	D10	33	16	BUSH, 20X9	D16	39	4
BEARING, RADIAL BALL, 6201UU	G2	62	20	BOLT, FLANGE, 6X80	D6	29	17				
BEARING, RADIAL BALL, 6203	E1	40	27	BOLT, FLANGE, 8X14	G4	64	24				
BEARING, RADIAL BALL, 6203U	F16	60	23	BOLT, FLANGE, 8X16	G3	63	13				
	G2	62	19	BOLT, FLANGE, 8X25	F11	55	17				
BEARING, RADIAL BALL, 6301U	F12	56	12	BOLT, FLANGE, 8X32	H2	78	14				
	F13	57	9	BOLT, FR. FORK	F9	53	14				
	F16	60	24	BOLT, HANDLE LEVER PIVOT	F3	47	15				
BEARING, RADIAL BALL, 6301UU	F14	58	18		F4	48	15				
	G2	62	21	BOLT, HEX., 5X10	D11	34	6				
BEARING, RADIAL BALL, 6304	D15	38	10	BOLT, HEX., 5X6	D11	34	5				
BLEEDER	F11	55	3	BOLT, HEX., 6X10	E1	40	24				
BODY COMP., FRAME	H2	78	6	BOLT, HEX., 6X12	G6	66	14				
BOLT-WASHER, 6X10	G11	71	11	BOLT, HEX., 6X20	D8	31	16				
BOLT-WASHER, 6X6	G11	71	8		G8	68	12				
BOLT-WASHER, 8X20	G9	69	18	BOLT, HEX., 6X22	H5	81	14				
BOLT A, BRAKE STOPPER	F15	59	15		H5	81	14				
BOLT A, CYLINDER STUD	D14	37	5		G8	68	12				
BOLT A, STOPPER ARM	G11	71	10		H5	81	14				
BOLT B, CYLINDER STUD	D14	37	6		G8	68	13				

[C]

CABLE COMP., CHOKE	F3	47	2
CABLE COMP., FR. BRAKE	F3	47	6
CABLE COMP., INNER	F2	46	14
			15
CABLE COMP., SPEEDOMETER	F2	46	12
			13
CABLE COMP., THROTTLE	F3	47	1
CALIPER SUB ASSY., R. FR.	F11	55	15
CAMSHAFT COMP.	D3	26	2
CAM, RR. BRAKE	F10	54	4
	F15	59	8
CAP ASSY., NOISE SUPPRESSOR	H1	77	4
CAP COMP., FUEL FILLER	G3	63	3

PART NAME INDEX

J 2

Part name	Address	Page	Ref.	Part name	Address	Page	Ref.	Part name	Address	Page	Ref.
CAP, 30MM	D10	33	7	COLLAR, FR. WHEEL SIDE	F12	56	4	DISK, CLUTCH FRICTION.....	D8	31	4
CAP, A.C. GENERATOR	D10	33	6		F13	57	3	DISK, FR. BRAKE	F14	58	11
CAP, BLEEDER	F11	55	4		F14	58	3	DOWEL PIN, 10X14.....	D14	37	8
CAP, CABLE SEALING	E4	43	21	COLLAR, HANDLE SETTING	F5	49	4	DOWEL PIN, 8X12.....	D3	26	15
CAP, CHAIN CASE PEEP HOLE	G11	71	4				10		D6	29	10
CAP, LOCK NUT	F3	47	11	COLLAR, LOCK PLATE	D16	39	13		D10	33	8
CAP, L. DUCT	G6	66	9	COLLAR, MAIN SIDE COVER	F8	52	7	DOWEL PIN, SPECIAL, 8X14.....	D5	28	5
CAP, MASTER CYLINDER	F4	48	8	COLLAR, MIDDLE COVER	G16	76	7	DRUM, GEARSHIFT.....	E2	41	4
CAP, RR. GRIP PIPE END	G4	64	3	COLLAR, MUFFLER MOUNTING	G9	69	14	DUST SEAL.....	F9	53	6
CAP, R. DUCT	G6	66	8	COLLAR, PILLION STEP MOUNTING	G9	69	12	DUST SEAL, 40X50X5.....	F14	58	15
CAP, STARTING CLUTCH ROLLER				COLLAR, RR. AXLE DISTANCE.....	F16	60	7	DUST SEAL, 47X57X7.....	F10	54	14
SPRING	D12	35	9		G2	62	7	DUST SEAL, BRAKE CAM.....	F10	54	3
CAP, TAPPET ADJUSTING HOLE	D1	24	4	COLLAR, RR. BRAKE PANEL SIDE	F15	59	4		F15	59	7
CAP, TOP	E4	43	22	COLLAR, RR. WHEEL SIDE	F16	60	5	DUST SEAL, STEERING HEAD.....	F7	51	8
CARBURETOR ASSY.	E4	43	18		G2	62	5				
CARRIER, RR.	G4	64	17	COLLAR, SEAT MOUNTING	G4	64	18	[E]			
CASE ASSY.	F2	46	6	COTTER, VALVE	D3	26	12	ELEMENT, AIR CLEANER.....	G6	66	1
CASE SUB ASSY., AIR CLEANER	G6	66	5	COUNTERSHAFT	D16	39	2	EMBLEM, WING MARK.....	F5	49	15
CASE, BATTERY	G16	76	3	COVER COMP., R. CRANKCASE	D6	29	1				
CASE, L. BOTTOM	F9	53	12	COVER SET, FR. TOP	H5	81	10	[F]			
CASE, R. BOTTOM	F9	53	5	COVER SET, L. BODY	G5	65	2	FENDER, FR.	F8	52	3
CASE, UNDER HALF DRIVE CHAIN	G11	71	2	COVER SET, L. MAIN PIPE	H4	80	3	FENDER, RR.	G13	73	2
CASE, UPPER HALF DRIVE CHAIN	G11	71	1	COVER SET, R. BODY	G5	65	1	FENDER, RR. INNER.....	G13	73	3
CENTER COMP., CLUTCH	D8	31	3	COVER SET, R. MAIN PIPE	H4	80	1	FLANGE SUB ASSY., RR. DRIVEN..	F16	60	6
CHAIN, CAM	D4	27	2	COVER SET, R. SIDE	G5	65	3		G2	62	6
CHAIN, DRIVE	G11	71	3	COVER SET, TAIL	G5	65	5	FLAP, TIRE	F12	56	2
CHAIN, STARTING	D12	35	2	COVER, AIR CLEANER CASE	G6	66	7		F16	60	14
CHAMBER SET, FLOAT	E4	43	5	COVER, CYLINDER HEAD	D1	24	1	FLOAT SET	E4	43	3
CIRCLIP	F4	48	18	COVER, EX. PIPE	G7	67	1	FLYWHEEL COMP.	D11	34	1
CIRCLIP, 17MM	D16	39	21	COVER, FR. HANDLE	F5	49	12	FORK ASSY., L. FR.	F9	53	11
CIRCLIP, 20MM	D16	39	22	COVER, L. CRANKCASE	D10	33	1	FORK ASSY., R. FR.	F9	53	1
CIRCLIP, 7MM	D7	30	18	COVER, L. CYLINDER HEAD SIDE	D1	24	3	FORK, R. GEARSHIFT.....	E2	41	1
CIRCLIP, EXTERNAL, 16MM	E3	42	10	COVER, L. FR. FORK	F8	52	5	FUEL UNIT SET.....	G3	63	6
CIRCLIP, INTERNAL, 23MM	D12	35	11	COVER, L. RR. CRANKCASE	D10	33	2	FUSE A	G16	76	9
CIRCLIP, INTERNAL, 45MM	D7	30	17	COVER, MAIN PIPE	H4	80	5	[G]			
CLAMP	F2	46	7	COVER, OIL FILTER	D7	30	1	GASKET ASSY., CYLINDER HEAD...	D2	25	4
CLAMPER B, BRAKE HOSE	F4	48	4	COVER, RR. HANDLE	F5	49	11	GASKET SET	E4	43	1
CLAMPER, A.C. GENERATOR CORD	D10	33	4	COVER, R. CYLINDER HEAD SIDE	D1	24	2	GASKET, COCK.....	E4	43	10
CLAMPER, BRAKE HOSE	F4	48	3	COVER, R. FR. FORK	F8	52	4	GASKET, CRANKCASE.....	D14	37	2
CLAMPER, FUEL TUBE	G3	63	5	CRANKCASE COMP., L.	D14	37	3	GASKET, CYLINDER	D5	28	2
CLAMPER, GENERATOR CORD	D11	34	3	CRANKCASE COMP., R.	D14	37	1	GASKET, CYLINDER HEAD COVER...	D1	24	5
CLAMP, TUBE	G6	66	18	CRANKSHAFT COMP.	D15	38	1	GASKET, EX. PIPE.....	G7	67	2
CLIP, DYNAMO CORD	D6	29	8	CRANKSHAFT COMP., R.	D15	38	6	GASKET, FLOAT CHAMBER.....	E4	43	24
CLIP, GEARSHIFT FORK GUIDE PIN	E2	41	3	CRANKSHAFT, L.	D15	38	7	GASKET, INSULATOR.....	D2	25	5
CLIP, PISTON PIN	D15	38	5	CUP, FUEL STRAINER	E5	44	27	GASKET, L. CRANKCASE COVER...	D10	33	3
CLIP, TUBE	D14	37	10	CUSHION ASSY., RR.	G12	72	1	GASKET, L. CYLINDER HEAD SIDE			
	E5	44	34	CUSHION, C.D.I. UNIT	H1	77	1	COVER	D1	24	7
	G3	63	11	CUSHION, FR. TOP COVER	H5	81	8	GASKET, OIL FILTER	D7	30	2
COIL ASSY., IGNITION	H1	77	3	CYLINDER	D5	28	1	GASKET, OIL PUMP BODY.....	D9	32	2
COLLAR, 14.8MM	D5	28	4	CYLINDER SET, MASTER	F4	48	12	GASKET, OIL PUMP COVER	D9	32	3
COLLAR, 9.5MM	D2	25	10	CYLINDER SUB ASSY., FR. BRAKE				GASKET, RUBBER, 9MM.....	D2	25	13
COLLAR, CHANGE SWITCH	E2	41	6	MASTER	F4	48	6	GASKET, R. CRANKCASE COVER...	D6	29	2
COLLAR, CLUTCH CENTER	D8	31	9					GASKET, R. CYLINDER HEAD SIDE			
COLLAR, DISTANCE	D8	31	10	C.D.I. UNIT	H1	77	2	COVER	D1	24	6
COLLAR, FR. AXLE DISTANCE	F12	56	5					GAUGE, OIL LEVEL.....	D6	29	3
	F13	57	4	[D]							
	F14	58	4	DAMPER SET, WHEEL	F16	60	1				
COLLAR, FR. FENDER	F8	52	6		G2	62	1				
	G15	75	11	DIAPHRAGM	F4	48	10				



PART NAME INDEX

J 3

Part name	Address	Page	Ref.	Part name	Address	Page	Ref.	Part name	Address	Page	Ref.
GEAR COMP., PRIMARY DRIVE	D7	30	10	KEY, WOODRUFF, 4MM	D15	38	9	NUT, HEX., 6MM	F16	60	21
GEAR, COUNTERSHAFT FIRST	D16	39	3						G2	62	18
GEAR, COUNTERSHAFT FOURTH	D16	39	10	[L]					G3	63	9
GEAR, COUNTERSHAFT SECOND	D16	39	6						G4	64	21
GEAR, COUNTERSHAFT THIRD	D16	39	8	LABEL, COLOR	H6	82	7	NUT, HEX., 8MM	D6	29	14
GEAR, MAINSHAFT FIFTH	D16	39	9	LABEL, DRIVE CHAIN	H6	82	5		F15	59	17
GEAR, MAINSHAFT SECOND	D16	39	5	LABEL, RR. CARRIER	H6	82	1		G11	71	12
GEAR, MAINSHAFT THIRD	D16	39	7	LABEL, TIRE	H6	82	3		H2	78	9
GEAR, SPEEDOMETER	F10	54	8	LENS	F2	46	8	NUT, LOCK	F3	47	16
	F14	58	9	LENS, LICENSE	G15	75	3				
GRIP	H3	79	6	LENS, L. FR. WINKER	G14	74	5	NUT, LOCK, 10MM	F3	47	16
GRIP COMP., THROTTLE	F3	47	7	LENS, L. RR. WINKER	G15	75	8	NUT, LOCK, 14MM	D8	31	13
GRIP, L. HANDLE	F3	47	8	LENS, R. FR. WINKER	G14	74	2	NUT, RR. AXLE SLEEVE	F16	60	18
GROMMET, AIR CLEANER CASE	G5	65	4	LENS, R. RR. WINKER	G15	75	4		G2	62	15
	G13	73	4	LENS, TAILLIGHT	G15	75	2	NUT, SPECIAL, 12MM	F12	56	10
GROMMET, WIRE	F8	52	2	LEVER COMP., CLUTCH	D6	29	4		F13	57	7
GUIDE, AIR VENT TUBE	G6	66	12	LEVER SET, CHOKE	E4	43	8		F14	58	13
GUIDE, CABLE	H2	78	4	LEVER, COCK	E4	43	11		F16	60	17
				LEVER, R. STEERING HANDLE	F3	47	10	NUT, SPECIAL, 6MM	F15	59	13
GUIDE, EX. VALVE	D2	25	3		F4	48	13		F16	60	16
GUIDE, IN. VALVE	D2	25	2	LIFTER COMP., CLUTCH	D6	29	6		G2	62	13
GUIDE, STARTER CHAIN	D12	35	3	LIGHT ASSY., RR. COMBINATION	G15	75	1	NUT, STEERING STEM	F7	51	5
								NUT, TAPPET ADJUSTING	D3	26	14
[H]				[M]				NUT, TORQUE	F11	55	7
HARNES, WIRE	H1	77	6	MAINSHAFT	D16	39	1	NUT, U, 10MM	F6	50	19
HEADLIGHT UNIT	F1	45	1	MARK, BATTERY CAUTION	H6	82	4	NUT, U, 6MM	F10	54	13
HEAD COMP., CYLINDER	D2	25	1	MARK, DRIVE CAUTION	H6	82	6		F14	58	12
HEAD, TENSIONER PUSH ROD	D4	27	8	MARK, FR. TOP COVER	H7	83	1		F15	59	12
HINGE COMP., SEAT	G4	64	6	MARK, HONDA	H9	85	11	NUT, U, 8MM	F16	60	19
HINGE, BATTERY	G16	76	4	MARK, TAIL COVER	H9	85	10		G2	62	16
HOLDER COMP., HANDLE	F5	49	9	MIRROR COMP., L.	F3	47	13				
HOLDER, MASTER CYLINDER	F4	48	9	MIRROR COMP., R.	F3	47	12	[O]			
HOLDER, NEEDLE JET	E5	44	26	MOTOR UNIT, STARTING	D13	36	1	OIL SEAL, 11.6X24X10	E2	41	18
HOOK, MAIN STAND SPRING	G10	70	3	MUFFLER COMP., EX.	G7	67	3	OIL SEAL, 13.8X24X5	D6	29	11
HORN ASSY.	H1	77	7					OIL SEAL, 17X29X5	D16	39	23
HOSE COMP., FR. BRAKE	F4	48	2	[N]				OIL SEAL, 18.9X30X5	D12	35	16
HUB SUB ASSY., FR.	F12	56	6	NEEDLE SET, JET	E4	43	2	OIL SEAL, 21X37X7	F12	56	11
HUB SUB ASSY., RR.	F16	60	8	NUT B, LOCK, 14MM	D7	30	11		F13	57	8
				NUT C, CLIP, 6MM	G13	73	7	OIL SEAL, 27X40X6	F16	60	20
[I]					G16	76	6		G2	62	17
INDICATOR, RR. BRAKE	F10	54	5	NUT, BRAKE ADJUSTING	F10	54	7	OIL SEAL, 30X42X4.5	D12	35	15
	F15	59	9		G8	68	7	O-RING	E4	43	13
INNER COMP., ONE-WAY CLUTCH	D7	30	8	NUT, CAP, 10MM	G12	72	4		F9	53	16
INSULATOR, CARBURETOR	D2	25	6	NUT, CAP, 5MM	G5	65	10	O-RING, 107X2	D12	35	17
				NUT, CAP, 6MM	G7	67	4	O-RING, 13.8X2.5	D10	33	9
[J]				NUT, CAP, 7MM	D1	24	9	O-RING, 14.5MM	D5	28	7
JET, MAIN	E5	44	36	NUT, CLIP, 4MM	F5	49	14	O-RING, 18X3	D6	29	12
JET, SLOW	E5	44	37		H5	81	9	O-RING, 21.5X2	E2	41	19
JOINT, BRAKE ARM	F10	54	6	NUT, FLANGE, 10MM	D11	34	7	O-RING, 25X2.4	D2	25	11
	G8	68	6	NUT, FLANGE, 6MM	F4	48	21	O-RING, 27X2	D10	33	10
					G13	73	9	O-RING, 30.8X3	D1	24	13
[K]				NUT, HEX., 10MM	G9	69	19	O-RING, 40.5X3	F16	60	10
KEY SET	H2	78	1		G10	70	7		G2	62	9
KEY, BLANK	H2	78	3		G11	71	13	O-RING, 6X1.7	D12	35	18
KEY, SEAT LOCK	G4	64	16	NUT, HEX., 5MM	F3	47	20	O-RING, 6.8X1.9	F2	46	17
				NUT, HEX., 6MM	F15	59	16	O-RING, 8MM	D6	29	13

PART NAME INDEX

J 4

Part name	Address	Page	Ref.	Part name	Address	Page	Ref.	Part name	Address	Page	Ref.
O-RING, 9X1.6	D2	25	12	PLATE, HANDLE SETTING	F5	49	2	RUBBER, MAIN STAND STOPPER	G4	64	4
OUTER ASSY., PRIMARY CLUTCH ..	D7	30	7	PLATE, OIL SEPARATE	D12	35	1	RUBBER, PILLION STEP	G9	69	4
OUTER COMP., CLUTCH	D8	31	2	PLATE, OIL SEPARATOR	D8	31	1	RUBBER, PILLION STEP MOUNTING ..	G9	69	13
OUTER, STARTING CLUTCH	D12	35	7	PLATE, PILLION STEP	G9	69	5	RUBBER, RR. GRIP	G4	64	1
[P]				PLATE, REGISTERED NUMBER	H6	82	2	RUBBER, SEAL	H3	79	2
PACKING	G15	75	7	PLATE, SEAT HINGE	G4	64	12	RUBBER, SEAT CUSHION	G4	64	9
PACKING, BASE	G3	63	7	PLATE, SEAT HINGE SETTING	G4	64	7	RUBBER, STAND STOPPER	G10	70	4
PACKING, COCK	E4	43	16	PLATE, STARTING CLUTCH SIDE ...	D12	35	10	RUBBER, STEP	G9	69	3
			25	PLATE, STARTING SPROCKET				RUBBER, STEP HOLDER	G9	69	2
PACKING, DRAIN COCK	D14	37	7	PLATE, STAY	E4	43	20	RUBBER, STOPPER ARM	F15	59	11
PACKING, DRIVE CHAIN CASE	G11	71	5	PLIERS, 135	H3	79	12	[S]			
PACKING, RUBBER, 16MM	D5	28	6	PLUG, PIN	F11	55	11	SCREEN, FUEL STRAINER	E5	44	28
PAD SET, FR.	F11	55	2	PLUG, SPARK, 56	D1	24	8	SCREEN, OIL FILTER	D9	32	7
PANEL COMP., RR. BRAKE	F15	59	5	PLUG, SPARK, 57	D1	24	8	SCREW-WASHER, 3X22	F2	46	11
PANEL SUB COMP., FR. BRAKE ...	F10	54	10	PROTECTOR	F4	48	7	SCREW-WASHER, 3X8	E5	44	32
PEDAL COMP., BRAKE	G8	68	9	PROTECTOR, STARTER CHAIN	D12	35	4	SCREW-WASHER, 4X12	F4	48	20
PEDAL, GEAR CHANGE	G8	68	1	PUMP ASSY., OIL	D9	32	1	SCREW-WASHER, 4X14	E5	44	33
PIECE, CHANGE SWITCH DRIVE ...	E2	41	5	[R]				SCREW-WASHER, 4X16	F6	50	21
PIECE, RR. GRIP SETTING	G4	64	2	RACE, STEERING BOTTOM BALL	F7	51	4	SCREW-WASHER, 4X20	H5	81	15
PINION, KICK STARTER	E3	42	1	RACE, STEERING BOTTOM CONE	F7	51	7	SCREW-WASHER, 4X6	D13	36	4
PIN A, BOLT	F11	55	8	RACE, STEERING TOP BALL	F7	51	3	SCREW-WASHER, 6X16	G5	65	9
PIN C, JOINT	G8	68	17	RACE, STEERING TOP CONE	F7	51	6	SCREW-WASHER, SPECIAL	F2	46	16
PIN C, PILLION STEP	G9	69	23	RATCHET, STARTER DRIVE	E3	42	2	SCREW SET A	E4	43	6
PIN, BOLT	F11	55	14	RECTIFIER COMP., REGULATOR ...	H1	77	5	SCREW SET B	E4	43	9
PIN, GEARSHIFT DRUM	E2	41	8	REFLECTOR, REFLEX	G13	73	1	SCREW, 5X12	F5	49	16
			9	REFLECTOR, SIDE REFLEX	F8	52	1	SCREW, FLAT, 4X12	F4	48	19
PIN, GEARSHIFT FORK GUIDE	E2	41	2	RELAY COMP., STARTER	H1	77	10	SCREW, FLAT, 6X16	D12	35	19
PIN, GUIDE ROLLER	D4	27	10	RELAY COMP., WINKER	H1	77	8	SCREW, FR. COVER	H4	80	6
PIN, HANGER	F11	55	12	RETAINER, FUEL UNIT	G3	63	8	SCREW, OVAL, 5X16	F2	46	18
PIN, PISTON	D15	38	4	RETAINER, GEAR BOX	F14	58	6		F14	58	17
PIN, SHIFT RETURN SPRING	E2	41	16	RETAINER, KICK SPRING	E3	42	4	SCREW, OVAL, 5X20	F10	54	15
PIN, SPLIT, 1.6X15	G9	69	22	RETAINER, VALVE SPRING	D3	26	10	SCREW, PAN, 3X6	E5	44	30
PIN, SPLIT, 2.0X15	F15	59	18	RIM, FR. WHEEL	F12	56	8	SCREW, PAN, 5X10	D9	32	8
			14	RIM, RR. WHEEL	F16	60	11		E5	44	31
			G11	RING SET, PISTON	D15	38	2	SCREW, PAN, 5X11.5	G5	65	8
PIN, SPLIT, 3.0X25	G10	70	8	RING, HANDLE WEIGHT SNAP	F5	49	8		H5	81	13
PIPE COMP., FR. FORK	F9	53	3	RING, OIL SEAL STOPPER	F9	53	8	SCREW, PAN, 5X20	F3	47	18
PIPE, IN.	D2	25	7	RING, PISTON	F9	53	7		G6	66	15
PIPE, SEAT	F9	53	9	ROD COMP., RR. BRAKE	G8	68	8		H1	77	12
PIPE, STEERING HANDLE	F5	49	1	ROD COMP., TENSIONER PUSH	D4	27	7	SCREW, PAN, 5X25	F3	47	19
PISTON	D15	38	3	ROLLER COMP., CAM CHAIN GUIDE ..	D4	27	9	SCREW, PAN, 5X8	D7	30	20
			F11	ROLLER, 10X10	D12	35	13		G7	67	5
PIVOT, CAM CHAIN TENSIONER ...	D4	27	5	ROLLER, 3X8.5	E2	41	20	SCREW, PAN, 6X16	D9	32	9
PIVOT, OIL PUMP	D9	32	6	ROLLER, 5X11.8	D12	35	14	SCREW, PAN, 6X22	D9	32	10
PLATE ASSY., REFLECTING	F2	46	10	ROLLER, 5X8	D7	30	19	SCREW, SIDE STAND PIVOT	G10	70	6
PLATE COMP., PRIMARY DRIVE ...	D7	30	5	ROLLER, CAM CHAIN TENSIONER ...	D4	27	4	SCREW, SPECIAL, 6X15	G5	65	7
PLATE COMP., STOPPER	D3	26	3	ROTOR, OIL PUMP INNER	D9	32	4	SCREW, STEERING HANDLE WEIGHT ..	F6	50	18
PLATE SET, COCK	E4	43	19	ROTOR, OIL PUMP OUTER	D9	32	5	SCREW, TAPPET ADJUSTING	D3	26	13
PLATE, CLUTCH	D8	31	5	RUBBER A, TAILLIGHT MOUNTING ..	G15	75	6	SCREW, TAPPING, 3X10	G4	64	20
PLATE, CLUTCH LIFTER	D8	31	7	RUBBER B, SEAT MOUNTING	G4	64	10	SCREW, TAPPING, 4X12	F6	50	22
PLATE, CLUTCH LIFTER CAM	D6	29	5	RUBBER, CHANGE PEDAL	G8	68	15		G6	66	16
PLATE, CLUTCH PRESSURE	D8	31	6	RUBBER, CLUTCH DAMPER	D7	30	9		G14	74	9
PLATE, DIAPHRAGM	F4	48	11	RUBBER, HANDLE COVER	F5	49	13	SCREW, TAPPING, 4X16	F2	46	19
PLATE, DRUM LOCK	D16	39	15	RUBBER, HANDLE MOUNTING	F5	49	3		G14	74	8
PLATE, FIXING	D16	39	12	RUBBER, HANDLE WEIGHT	F5	49	7	SCREW, TAPPING, 4X20	G15	75	12
PLATE, FLOATING	E4	43	14	RUBBER, KICK STARTER	G8	68	3	SCREW, TAPPING, 5X12	H5	81	16
PLATE, GEARSHIFT DRUM STOPPER	E2	41	7					SCREW, TAPPING, 5X16	F2	46	20



PART NAME INDEX

J 5

Part name	Address	Page	Ref.	Part name	Address	Page	Ref.	Part name	Address	Page	Ref.	
SCREW, TAPPING, 5X16	G6	66	17	SPRING, STARTER PINION				TOP SET	E4	43	4	
SCREW, U-LOCK FLAT, 6X12	H2	78	8	FRICITION	E3	42	5	TRAP COMP., FRAME	G6	66	2	
SEAL SET, FR. FORK	F9	53	10	SPRING, STARTING CLUTCH ROLLER	D12	35	8	TUBE, 3.5X280	E5	44	35	
SEAL SET, PISTON	F11	55	1	SPRING, STOP SWITCH	G8	68	5	TUBE, 4.5X8.0X440	E5	44	29	
SEAL, AIR CLEANER CASE	G6	66	4	SPRING, TENSIONER	D4	27	6	TUBE, AIR CLEANER CONNECTING ..	G6	66	10	
SEAL, AIR CLEANER COVER	G6	66	3	SPRING, VALVE INNER	D3	26	9	TUBE, BATTERY BREATHER	G16	76	2	
SEAL, VALVE STEM	D3	26	1	SPRING, VALVE OUTER	D3	26	8	TUBE, BRAKE PEDAL SPRING	G8	68	11	
SEAT COMP., DOUBLE	G4	64	8	SPROCKET COMP., CAM CHAIN				TUBE, BREATHER	D14	37	4	
SEAT LOCK COMP.	G4	64	11	GUIDE	D4	27	11	TUBE, FUEL, 5.3X425	G3	63	4	
SEAT SET, VALVE FLOAT	E4	43	17	SPROCKET COMP., STARTING	D12	35	5	TUBE, FUEL, 5.3X75	G3	63	10	
SEAT, VALVE SPRING OUTER	D3	26	11	SPROCKET, CAM	D4	27	1	TUBE, TIRE	F12	56	1	
SET RING, 17MM	D8	31	11	SPROCKET, DRIVE	D16	39	11		F13	57	1	
SET RING, 20MM	E3	42	9	SPROCKET, FINAL DRIVEN	F16	60	3		F14	58	1	
SHAFT, ROCKER ARM	D3	26	5		G2	62	3		F16	60	13	
SHAFT, RR. BRAKE PIVOT	G10	70	2	SPROCKET, TIMING	D15	38	8		G2	62	11	
SHAFT, SCREW DRIVER	H3	79	5	STAND COMP., MAIN	G10	70	1	TUBE, VINYL, 11X15X45	G6	66	6	
SHIELD, L. LEG	H4	80	4	STATOR COMP.	D11	34	2					
SHIELD, R. LEG	H4	80	2	STAY, BODY COVER	G4	64	5	[V]				
SHOE SET, BRAKE	F10	54	1	STAY, FR. TOP COVER	H2	78	7	VALVE COMP., FLOAT	E4	43	23	
	F15	59	1	STAY, LEG SHIELD	H4	80	7	VALVE SET, FLOAT	E4	43	15	
SLEEVE, RR. WHEEL	F16	60	4	STAY, L. PILLION STEP	G9	69	8	VALVE SET, THROTTLE	E4	43	7	
	G2	62	4	STAY, R. PILLION STEP	G9	69	6	VALVE, EX.	D3	26	7	
SOCKET COMP.	F2	46	9	STEM SUB ASSY., STEERING	F7	51	11	VALVE, IN.	D3	26	6	
SOCKET COMP., HEADLIGHT	F1	45	2	STRAINER COMP., FUEL	G3	63	1					
SOCKET COMP., L. WINKER	G14	74	6	STRIPE A, L. BODY COVER	H8	84	8	[W]				
SOCKET COMP., R. WINKER	G14	74	3	STRIPE B, L. BODY COVER	H8	84	9	WASHER A, SEALING, 7MM	D1	24	11	
SPANNER, 10X12	H3	79	10	STRIPE, L. LEG SHIELD	H7	83	3	WASHER A, SPLINE, 20MM	D16	39	19	
SPANNER, 14X17	H3	79	11	STRIPE, L. MAIN PIPE SIDE				WASHER B, LOCK	D7	30	14	
SPEEDOMETER ASSY.	F2	46	4		COVER	H7	83	5	D8	31	14	
SPEEDOMETER COMP.	F2	46	5	STRIPE, R. BODY COVER	H8	84	5	WASHER B, SPLINE, 17MM	D8	31	15	
SPINDLE COMP., GEARSHIFT	E2	41	12	STRIPE, R. LEG SHIELD	H7	83	2	WASHER B, SPLINE, 20MM	D16	39	17	
SPINDLE, CAM CHAIN GUIDE				STRIPE, R. MAIN PIPE SIDE				WASHER B, THRUST, 20MM	E3	42	7	
SPROCKET	D4	27	12		COVER	H7	83	4	WASHER C, SPLINE, 20MM	D16	39	20
SPINDLE, KICK STARTER	E3	42	3	STRIPE, R. SIDE COVER	H8	84	6	WASHER, 10MM	D11	34	4	
SPOKE SET A, 10X158.5	G1	61	26	SUB HARNESS A	D13	36	2	WASHER, 10.2X20	G12	72	2	
SPOKE SET A, 10X159.0	G1	61	25	SUSPENSION, STARTER RELAY	H1	77	11	WASHER, 17MM	E3	42	8	
SPOKE SET A, 12X158	F12	56	14	SUSPENSION, WINKER RELAY	H1	77	9	WASHER, 30X45X0.8	D7	30	12	
SPOKE SET A, 12X159	F12	56	13	SWINGARM ASSY., RR.	G11	71	7	WASHER, 3.5X13	G4	64	19	
SPRING ASSY., RR. BRAKE RETURN	G8	68	10	SWITCH ASSY., CHANGE	D10	33	5	WASHER, 8MM	D4	27	17	
SPRING A, BRAKE ROD	G8	68	16	LOCK	H2	78	2		D6	29	9	
SPRING A, SIDE STAND	G10	70	10	SWITCH ASSY., FR. STOP	F3	47	5	WASHER, CHAIN CASE SETTING	G6	66	13	
SPRING D, MAIN STAND	G10	70	9	F4	48	1		WASHER, CHAIN SLIDER	G13	73	8	
SPRING, BRAKE ARM RETURN	F10	54	12	SWITCH ASSY., RR. STOP	G8	68	4	WASHER, LOCK	D7	30	13	
SPRING, BRAKE SHOE	F10	54	2	SWITCH SET, STARTER KILL	F3	47	3	WASHER, LOCK, 6MM	F1	45	6	
	F15	59	6	SWITCH SET, WINKER	F3	47	4	WASHER, OIL BOLT	F4	48	17	
SPRING, CLUTCH	D8	31	8					WASHER, PLAIN, 10MM	G12	72	5	
SPRING, FR. FORK	F9	53	2	[T]				H5	81	17		
SPRING, GEARSHIFT ARM	E2	41	14	TANK ASSY., FUEL	G3	63	2	WASHER, PLAIN, 12MM	G12	72	6	
SPRING, GEARSHIFT FRICTION	D16	39	14	THREAD COMP., STEERING HEAD				G5	65	11		
SPRING, GEARSHIFT RETURN	E2	41	15	TOP	F7	51	12	G7	67	6		
SPRING, KICK STARTER	E3	42	6	TIRE, FR.	F12	56	9	WASHER, PLAIN, 6MM	G4	64	22	
SPRING, LOCK KEY SETTING	G4	64	13		F13	57	6	G9	69	20		
SPRING, ONE WAY RETAINER	D7	30	4	TIRE, RR.	F14	58	7	WASHER, PLAIN, 8MM	G9	69	21	
SPRING, PAD	F11	55	6		F16	60	12	G11	71	14		
SPRING, PRIMARY CLUTCH	D7	30	6	TOOL SET	G2	62	10	WASHER, SEALING, 12MM	D1	24	12	
SPRING, REBOUND	F9	53	4		H3	79	4	D4	27	16		
SPRING, SEAT CATCH	G4	64	15									
SPRING, SHIFT DRUM STOPPER	E2	41	11									

PART NAME INDEX

J 6

Part name	Address	Page	Ref.	Part name	Address	Page	Ref.	Part name	Address	Page	Ref.
WASHER, SEALING, 14MM	D4	27	15								
WASHER, SEALING, 7MM	D1	24	10								
WASHER, SEAT LOCK	G4	64	14								
WASHER, SPECIAL, 8MM	F9	53	15								
WASHER, SPEEDOMETER GEAR	F10	54	9								
	F14	58	10								
WASHER, SPLINE, 17MM	D16	39	18								
WASHER, SPRING, 10MM	G11	71	15								
WASHER, SPRING, 5MM	G7	67	7								
WASHER, SPRING, 8MM	H2	78	10								
WASHER, STEERING HEAD DUST SEAL	F7	51	9								
WASHER, STEERING STEM NUT	F7	51	10								
WASHER, THRUST, 17MM	D16	39	16								
WASHER, THRUST, 19X28X1.5	D7	30	16								
WASHER, THRUST, 8MM	D7	30	15								
WASHER, WAVE	E4	43	12								
	F11	55	13								
WEIGHT A, STEERING HANDLE	F5	49	5								
WEIGHT B, STEERING HANDLE	F5	49	6								
WEIGHT SET, CLUTCH	D7	30	3								
WHEEL SUB ASSY., FR.	F12	56	7								
	F13	57	5								
	F14	58	5								
WHEEL SUB ASSY., RR.	F16	60	9								
	G2	62	8								
WINKER ASSY., L. FR.	G14	74	4								
WINKER ASSY., R. FR.	G14	74	1								
WRENCH, BOX	H3	79	7								
WRENCH, EYE, 19MM	H3	79	14								
WRENCH, SPARK PLUG	H3	79	8								

1

FOREWORD INDEX

2

ENGINE GROUP

3

FRAME GROUP

4

PART NUMBER INDEX

5

PART NAME INDEX

HONDA
The Power of Dreams