



# PARTS CATALOGUE

## GDR155-A ( BG33 ) MALAYSIA

---



1SBG3-440E1



GDR155-A  
PARTS CATALOGUE  
©2017 by Yamaha Motor Co., Ltd.  
1st edition, March 2017  
All rights reserved.  
Any reprinting or unauthorized use  
without the written permission of  
Yamaha Motor Co., Ltd.  
is expressly prohibited.  
Printed in Japan.

# FOREWORD

This Parts Catalogue is related to the parts for the model(s) on the cover page. When you are ordering replacement parts, please refer to this Parts Catalogue and quote both part numbers and part names correctly.

1. Modifications or additions which have been made after the issue of the Parts Catalogue will be announced in the Parts News.  
It is advisable that you make the necessary corrections to the Parts Catalogue according to the Parts News.

2. Abbreviations

The following abbreviations are used in this Parts Catalogue.

“UR” Use specified parts number.

“UN” Use as many as needed.

“AP” Alternate Parts

“LM” Locally Made (Parts need to be ordered locally)

“F#” Frame No. (Applicable machine No.)

“O/S” Over Size

3. The number of components for assembly

- Parts, which are to be supplied in an assembly, are listed with a dot (.) in front of the part name as shown below.
- The numeral appearing to the right of each component part indicates the quantity of parts for each assembly unit.

PART NO.	DESCRIPTION	Q'TY	REMARKS
2F5-83310-60	FRONT FLASHER LIGHT ASSY	2	
115-83311-60	.BULB (6V-18W)	1	

4. Applicable colours of graphics are represented in the “REMARKS” as shown below.

PART NO.	DESCRIPTION	Q'TY	REMARKS
2N4-24110-00-X5	FUEL TANK COMP.	2	MXR
3J1-24240-10	.GRAPHIC, FUEL TANK	1	FOR MXR

5. Note that the illustrations for reference in finding parts numbers are not to be used for assembling. When assembling, please use the applicable service manual.

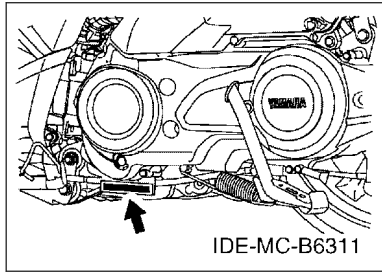
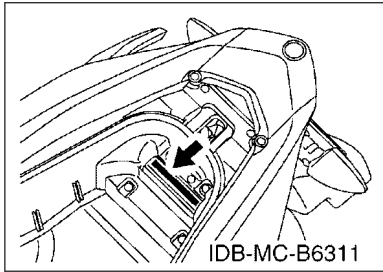
6. The asterisk (\*) before a reference number indicates modified items after the first edition.

# FOREWORD

7. Applicable Serial No.

Frame Serial No.

Engine Serial No.



8. Applicable Colour Code (The (\*) mark shows Model colour.)

Abbreviation	Colour Name	Colour Code
DPBM15	DEEP PURPLISH BLUE METALLIC 15	1329
DPBMC(*)	DEEP PURPLISH BLUE METALLIC C	0564
MBL2	MAT BLACK 2	0582
MDRM3(*)	MAT DEEP RED METALLIC 3	1258
SL	SILVER	0035
YB(*)	YAMAHA BLACK	0033

9. Applicable Starting Serial No.

Frame Serial No.

Serial No.	Name Of Q'ty Column	Model Code

Engine Serial No.

Serial No.	Name Of Q'ty Column	Model Code

# CONTENTS

## ENGINE

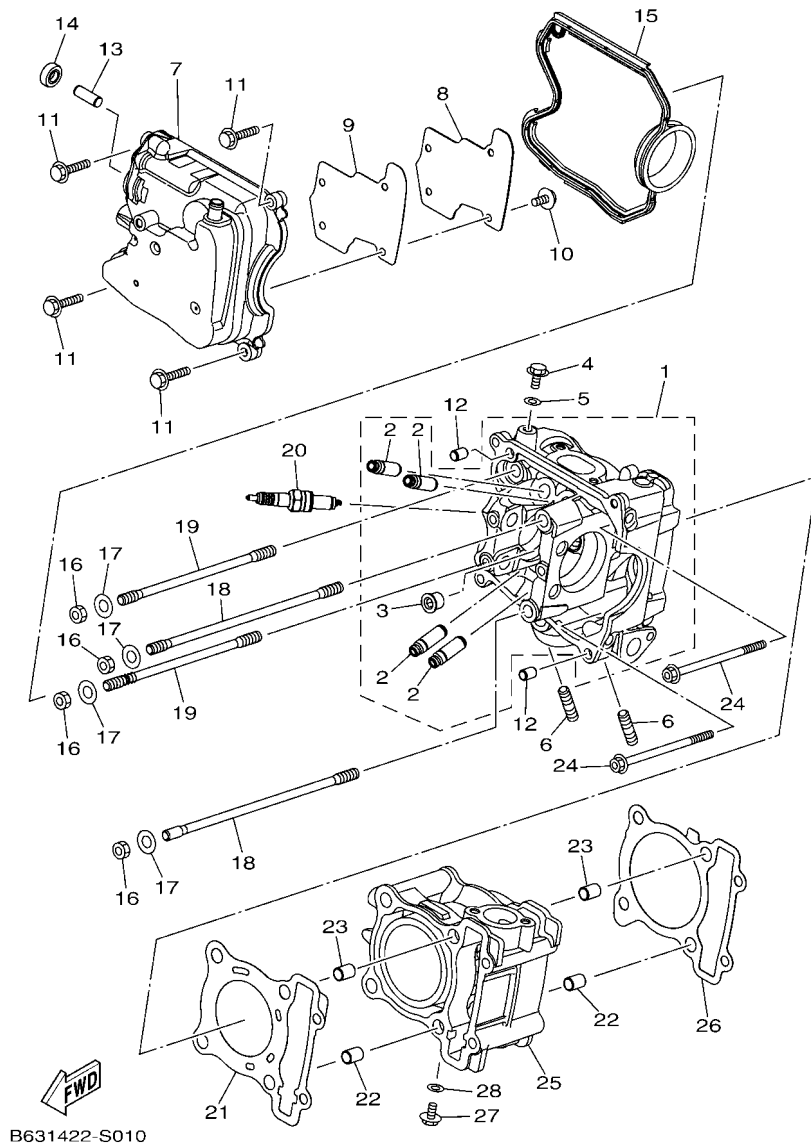
CYLINDER.....	1
CRANKSHAFT & PISTON.....	3
VALVE.....	4
CAMSHAFT & CHAIN.....	5
WATER PUMP.....	6
RADIATOR & HOSE.....	7
OIL PUMP.....	8
INTAKE.....	9
EXHAUST.....	11
CRANKCASE.....	12
CRANKCASE COVER 1.....	14
CLUTCH.....	15
TRANSMISSION.....	17

## CHASSIS

FRAME.....	18
FENDER.....	20
SIDE COVER.....	21
REAR ARM & SUSPENSION.....	24
STEERING.....	25
FUEL TANK.....	27
SEAT.....	28
FRONT WHEEL.....	30
FRONT BRAKE CALIPER.....	31
REAR WHEEL.....	32
STEERING HANDLE & CABLE.....	33
FRONT MASTER CYLINDER.....	35
STAND & FOOTREST.....	36
LEG SHIELD.....	38
GENERATOR.....	41
FLASHER LIGHT.....	42
METER.....	43
HEADLIGHT.....	44
TAILLIGHT.....	45
HANDLE SWITCH & LEVER.....	46
ELECTRICAL 1.....	47
ELECTRICAL 2.....	49
ELECTRICAL 3.....	50

## INDEX

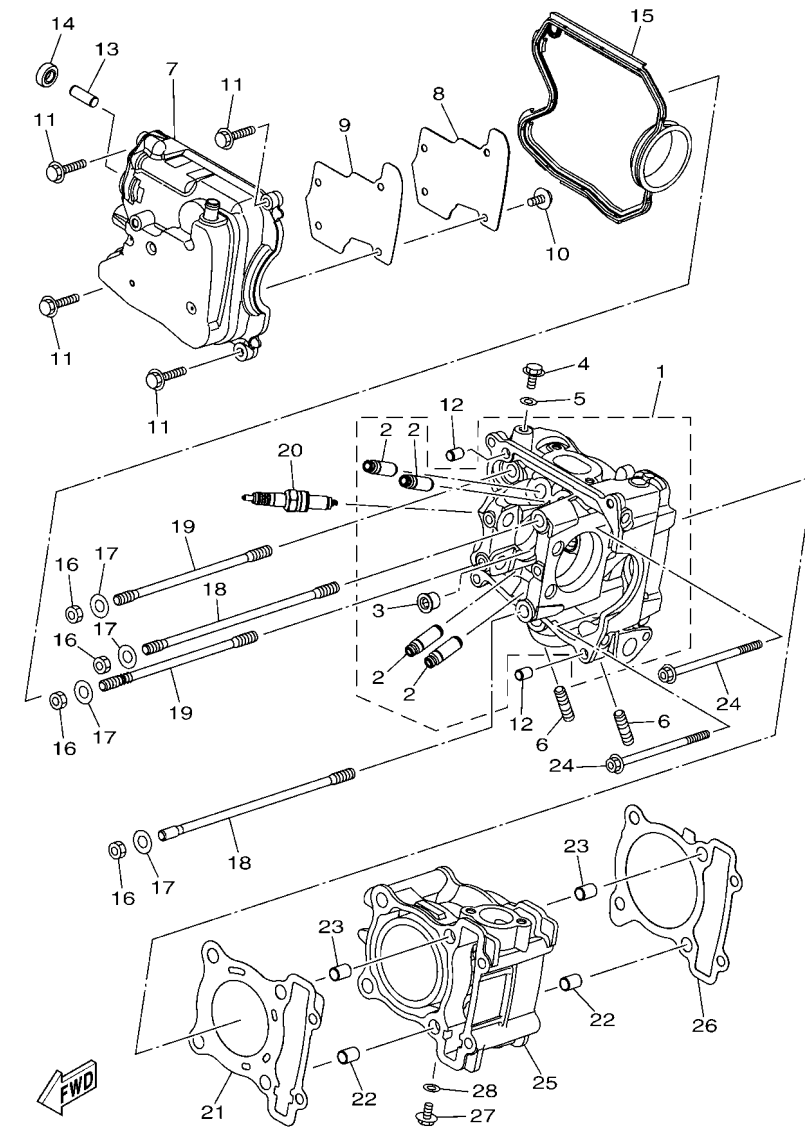
NUMERICAL INDEX.....	51
----------------------	----



B631422-S010

FIG. 1 CYLINDER

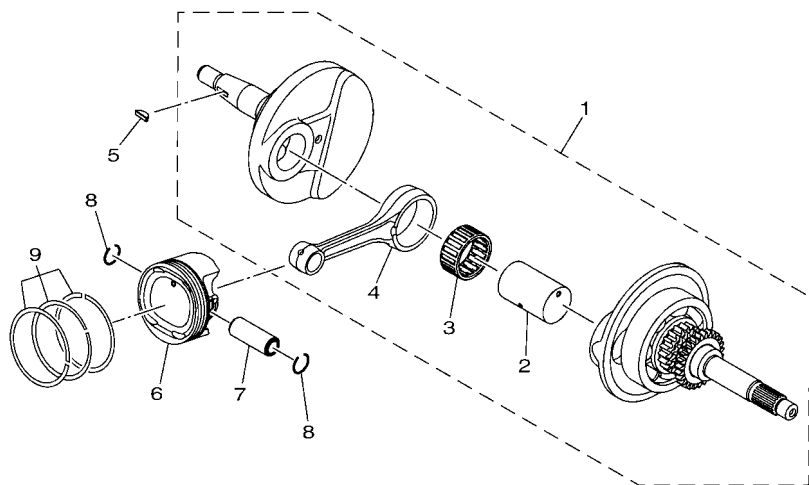
REF. NO.	PART NO.	DESCRIPTION	EG33				REMARKS
1	B65-E1102-00	CYLINDER HEAD ASSY	1				
2	2DP-E1133-10	.GUIDE, VALVE 1	4				
3	90340-12813	.PLUG, STRAIGHT SCREW	1				
4	95022-06010	BOLT, FLANGE	1				
5	90430-06014	GASKET	1				
6	95612-08618	BOLT, STUD	2				
7	2DP-E1191-00	COVER, CYLINDER HEAD 1	1				
8	2DP-E1165-00	PLATE, BREATHER	1				
9	2DP-E1169-00	GASKET, BREATHER COVER	1				
10	90149-05801	SCREW	4				
11	95022-06030	BOLT, FLANGE	4				
12	99530-08012	PIN, DOWEL	2				
13	2DP-E132G-00	ROD 1	1				
14	93102-08800	OIL SEAL	1				
15	BB8-E1193-00	GASKET, HEAD COVER 1	1				
16	95302-08600	NUT, HEXAGON	4				
17	90201-08859	WASHER, PLATE	4				
18	BB8-E1391-00	BOLT, STUD 1	2				
19	BB8-E1392-00	BOLT, STUD 2	2				
20	94700-00415	PLUG, SPARK (NGK CPR8EA)	1				UR
	94700-00870	PLUG, SPARK (DENSO U24EPR9)	1				UR
21	2DP-E1181-00	GASKET, CYLINDER HEAD 1	1				
22	91810-14809	PIN, DOWEL	2				
23	91810-14809	PIN, DOWEL	2				
24	90110-06378	BOLT, HEXAGON SOCKET HEAD	2				
25	2DP-E1311-10	CYLINDER 1	1				
26	B65-E1351-00	GASKET, CYLINDER	1				



**FIG. 1 CYLINDER**

REF. NO.	PART NO.	DESCRIPTION	EG33	REMARKS
27	95022-06010	BOLT, FLANGE	1	
28	90430-06014	GASKET	1	
<hr/>				
<hr/>				
<hr/>				
<hr/>				
<hr/>				
<hr/>				
<hr/>				
<hr/>				
<hr/>				
<hr/>				
<hr/>				
<hr/>				
<hr/>				
<hr/>				
<hr/>				
<hr/>				
<hr/>				
<hr/>				

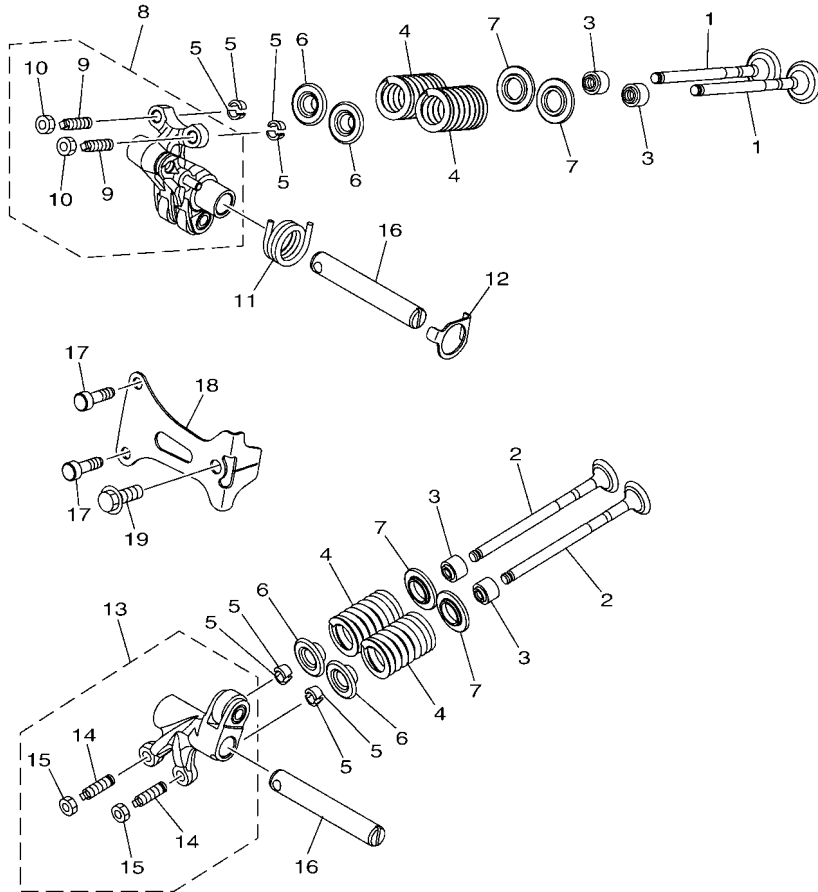
**FIG. 2 CRANKSHAFT & PISTON**



REF. NO.	PART NO.	DESCRIPTION	EG33				REMARKS
1	B65-E1400-00	CRANKSHAFT ASSY	1				
2	B63-E1681-00	.PIN, CRANK 1	1				
3	93310-528YK	.BEARING	1				
4	2DP-E1651-00	.ROD, CONNECTING	1				
5	90280-03017	KEY, WOODRUFF	1				
6	2DP-E1631-00	PISTON (STD)	1				
7	2DP-E1633-00	PIN, PISTON	1				
8	93450-16115	CIRCLIP	2				
9	B63-E1603-00	PISTON RING SET (STD)	1				

  
B651460-S020



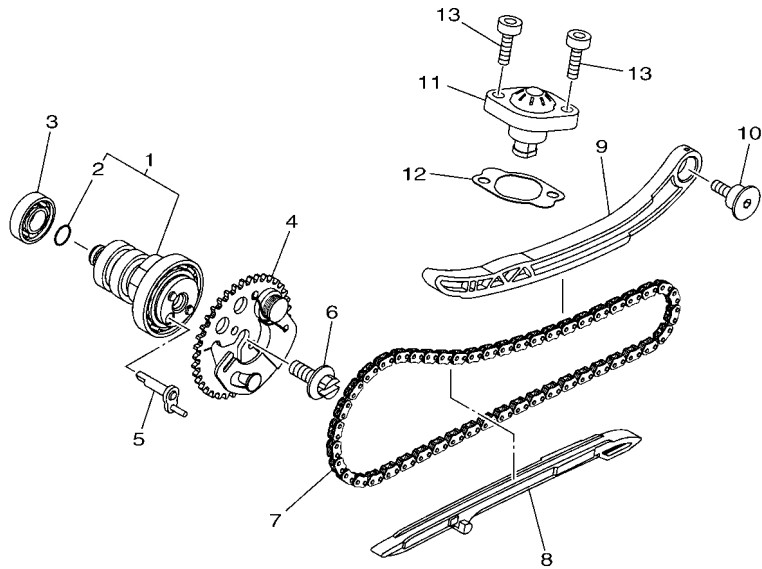


B631422-S030

FIG. 3 VALVE

REF. NO.	PART NO.	DESCRIPTION	BC33				REMARKS
1	2DP-E2111-00	VALVE, INTAKE	2				
2	2DP-E2121-00	VALVE, EXHAUST	2				
3	54P-E2119-00	SEAL, VALVE STEM	4				
4	B63-E2113-00	SPRING, VALVE INNER	4				
5	5TL-E2118-00	LOCK, VALVE SPRING RETAINER	8				
6	2DP-E2117-00	RETAINER, VALVE SPRING	4				
7	50C-E2126-00	SEAT, VALVE SPRING 2	4				
8	2DP-E2150-00	VALVE ROCKER ARM ASSY	1				
9	33S-E2159-01	.SCREW, VALVE ADJUSTING	2				
10	90170-05803	.NUT	2				
11	BB8-E2226-00	SPRING, COIL	1				
12	2DP-E2279-00	PLATE	1				
13	2DP-E2160-00	VALVE ROCKER ARM ASSY 2	1				
14	33S-E2159-01	.SCREW, VALVE ADJUSTING	2				
15	90170-05803	.NUT	2				
16	45P-E2156-00	SHAFT, ROCKER 2	2				
17	91312-05016	BOLT	2				
18	2DP-E111F-00	PLATE	1				
19	95022-06014	BOLT, FLANGE	1				

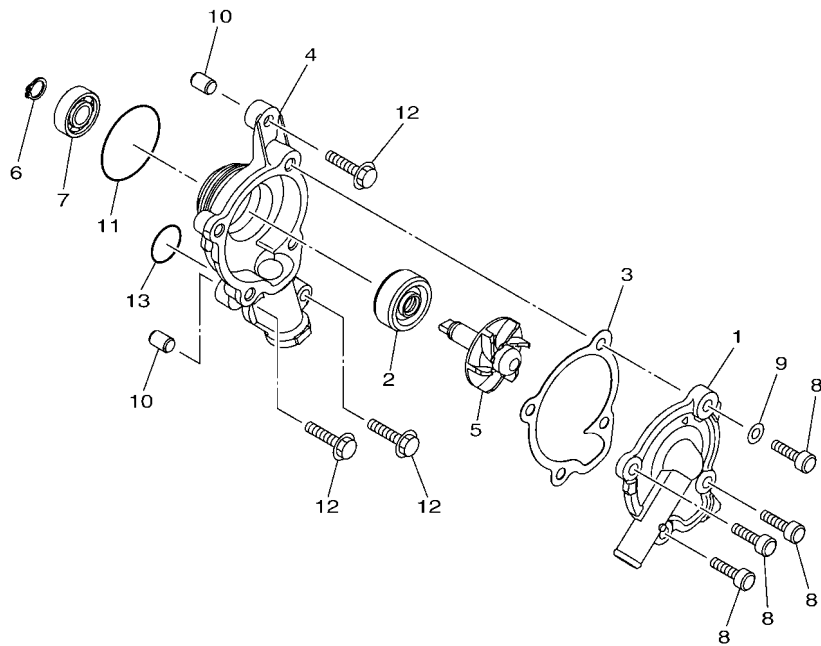
**FIG. 4 CAMSHAFT & CHAIN**



REF. NO.	PART NO.	DESCRIPTION	EG33				REMARKS
1	B65-E2170-00	CAMSHAFT ASSY 1	1				
2	93210-09806	.O-RING	1				
3	93306-001X9	BEARING	1				
4	B63-E2280-00	DECOMPRESSION ASSY	1				
5	2DP-E2288-00	CAM, DECOMPRESSION	1				
6	5YP-E2157-00	BOLT	1				
7	94568-F9096	CHAIN (DID SCR-0404 SV)	1				
8	B65-E2231-00	GUIDE, STOPPER 1	1				
9	2DP-E2241-00	GUIDE, STOPPER 2	1				
10	1LB-E2228-00	BOLT	1				
11	2ND-E2210-10	TENSIONER ASSY, CAM CHAIN	1				
12	B65-E2213-00	GASKET, TENSIONER CASE	1				
13	91312-06020	BOLT	2				

  
B631422-S040

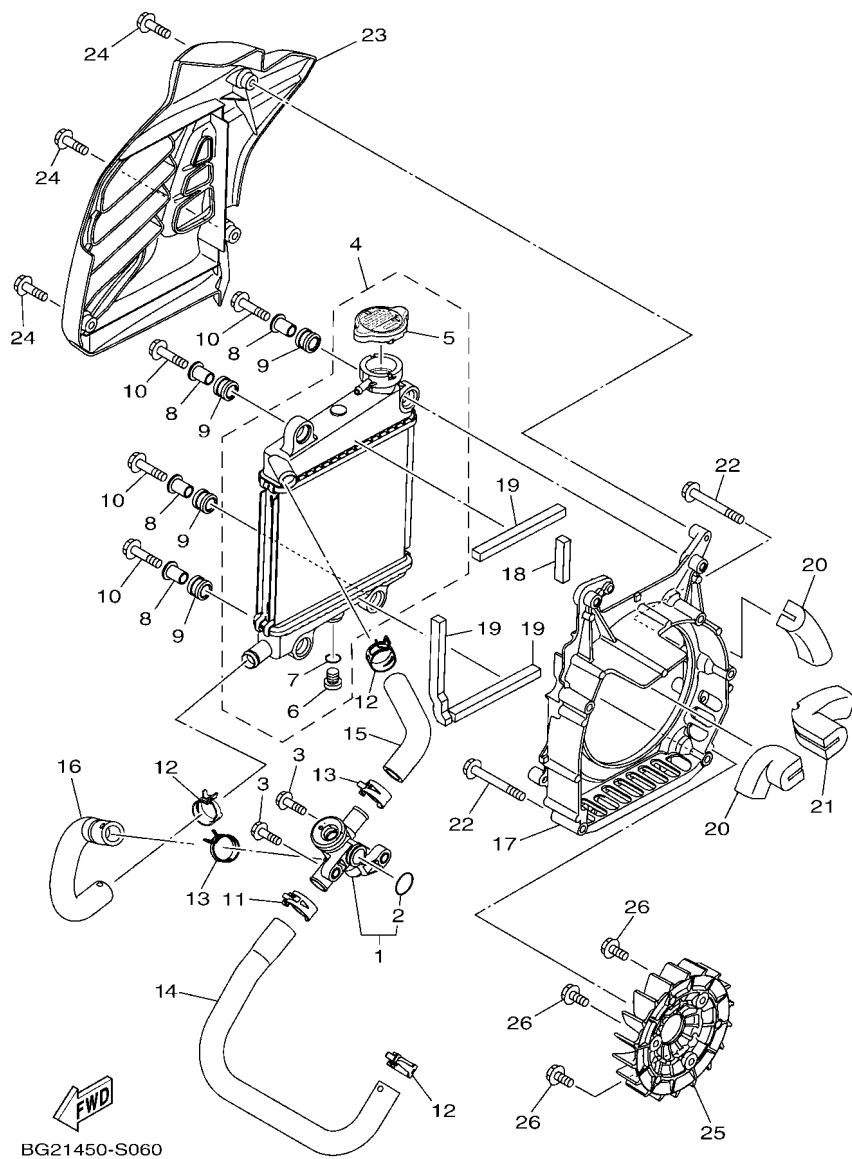
**FIG. 5 WATER PUMP**



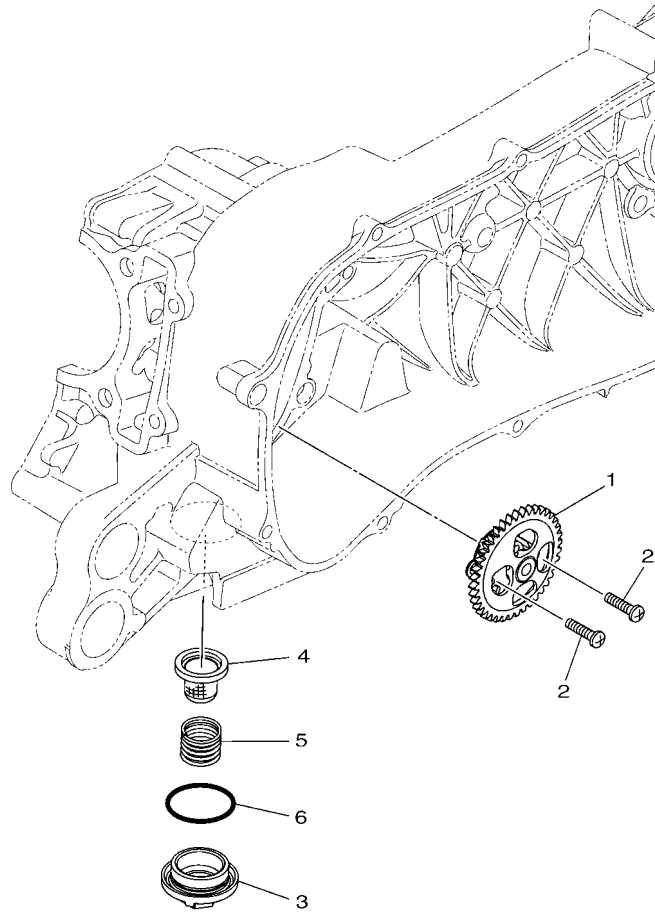
  
2DP1460-P050

REF. NO.	PART NO.	DESCRIPTION	EG33				REMARKS
1	2DP-E2422-00	COVER, HOUSING	1				
2	B63-E2223-00	SEAL	1				
3	2DP-E2428-00	GASKET, HOUSING COVER 2	1				
4	2DP-E1185-00	COVER, CYLINDER HEAD SIDE 3	1				
5	2DP-E2450-00	IMPELLER SHAFT ASSY	1				
6	99009-10400	CIRCLIP	1				
7	93306-000Y3	BEARING	1				
8	95027-06020	BOLT, FLANGE	4				
9	90430-06014	GASKET	1				
10	99530-08012	PIN, DOWEL	2				
11	93210-39803	O-RING	1				
12	95022-06025	BOLT, FLANGE	3				
13	93210-19809	O-RING	1				

**FIG. 6 RADIATOR & HOSE**

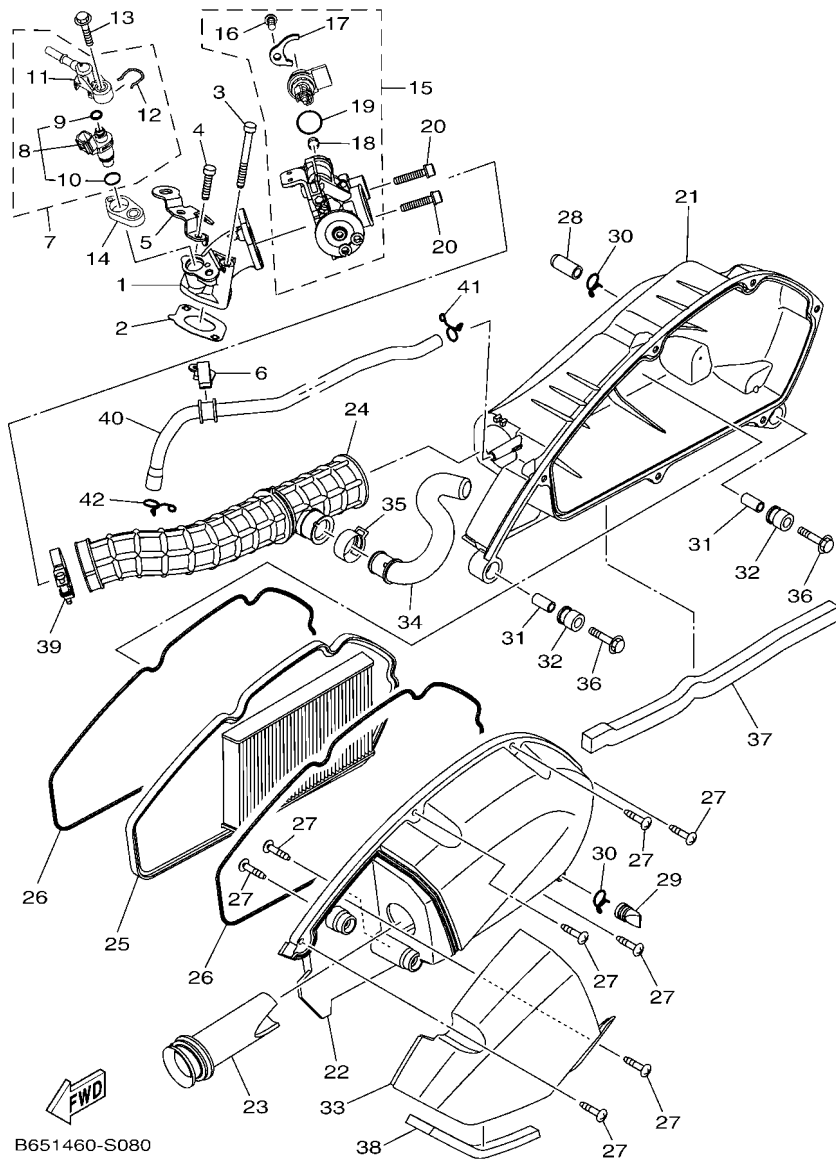


REF. NO.	PART NO.	DESCRIPTION	EG33	REMARKS
1	2DP-E2410-00	THERMOSTAT ASSY	1	
2	52S-12439-00	.O-RING	1	
3	95022-06020	BOLT, FLANGE	2	
4	2DP-E240A-00	RADIATOR ASSY	1	
5	5P0-E2590-00	.CONDUCTION ASSY	1	
6	5ST-E2615-00	.COCK, DRAIN	1	
7	5ST-E2843-00	.O-RING	1	
8	90387-08823	COLLAR	4	
9	90480-15811	GROMMET	4	
10	95D32-06030	BOLT, FLANGE DEEP RECESS	4	
11	90467-20806	CLIP	1	
12	90467-19803	CLIP	2	
13	90467-19803	CLIP	2	
14	B65-E2481-00	PIPE 1	1	
15	B65-E2482-00	PIPE 2	1	
16	B65-E2483-00	PIPE 3	1	
17	B65-E2621-00	CASE, FAN	1	
18	90520-10826	DAMPER, PLATE	1	
19	90520-10827	DAMPER, PLATE	3	
20	90520-10844	DAMPER, PLATE	2	
21	90520-10845	DAMPER, PLATE	1	
22	95022-06045	BOLT, FLANGE	5	
23	B65-E2467-00	COVER, RADIATOR	1	
24	95022-06020	BOLT, FLANGE	3	
25	B65-E2611-00	FAN	1	
26	95D32-06016	BOLT, FLANGE DEEP RECESS	3	



**FIG. 7 OIL PUMP**

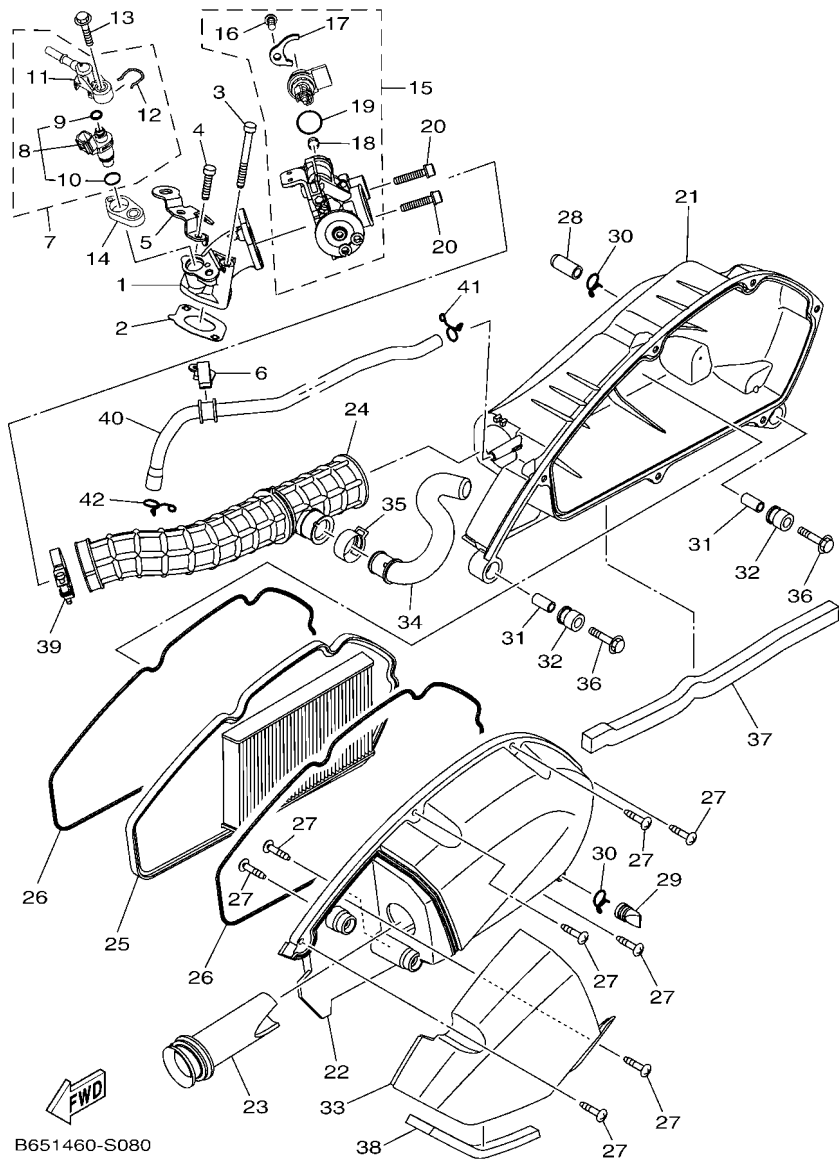
REF. NO.	PART NO.	DESCRIPTION	EG33			REMARKS
1	B65-E3300-01	OIL PUMP ASSY	1			
2	98502-05020	SCREW, PAN HEAD	2			
3	54P-E5351-00	PLUG, DRAIN	1			
4	54P-E3411-00	STRAINER, OIL	1			
5	90501-16004	SPRING, COMPRESSION	1			
6	93210-29800	O-RING	1			



B651460-S080

FIG. 8 INTAKE

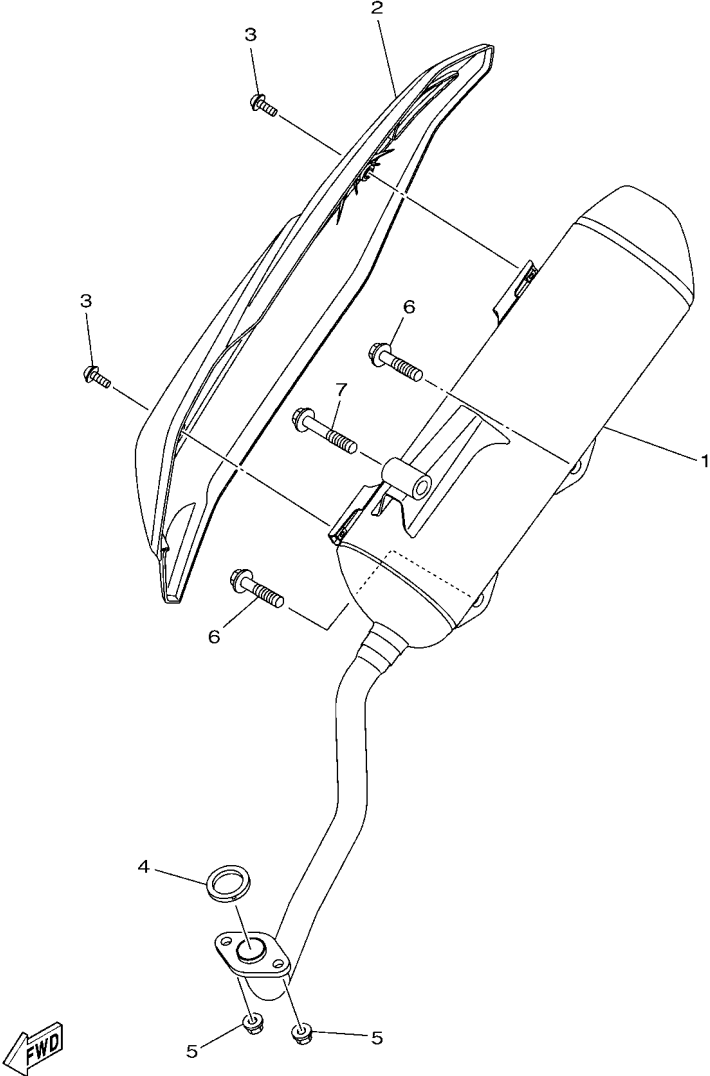
REF. NO.	PART NO.	DESCRIPTION	EG33				REMARKS
1	B65-E3585-00	MANIFOLD	1				
2	B65-E4199-00	GASKET	1				
3	91312-06055	BOLT	1				
4	91312-06025	BOLT, HEXAGON SOCKET HEAD	1				
5	B65-E4146-00	PLATE	1				
6	B65-E4346-00	PLATE	1				
7	BB8-E3770-00	INJECTOR ASSY	1				
8	BB8-E3761-00	.INJECTOR	1				
9	54P-E4147-00	..O-RING	1				
10	5CA-E4147-00	..O-RING	1				
11	54P-E3938-00	.PIPE	1				
12	54P-E4137-00	.CLIP	1				
13	95D32-06030	BOLT, FLANGE DEEP RECESS	1				
14	2DP-E3556-00	GASKET, MANIFOLD	1				
15	B65-E3750-00	THROTTLE BODY ASSY	1				
16	98502-06012	.SCREW, PAN HEAD	1				
17	54P-E4243-00	.PLATE	1				
18	54P-E4335-00	.SPRING, PLUNGER	1				
19	54P-E416A-00	.O-RING	1				
20	90110-06846	BOLT, HEXAGON SOCKET HEAD	2				
21	B65-E4411-00	CASE, AIR CLEANER 1	1				
22	B65-E4412-00	CAP, CLEANER CASE 1	1				
23	B65-E4437-00	DUCT	1				
24	B65-E4453-00	JOINT, AIR CLEANER 1	1				
25	B65-E4451-00	ELEMENT, AIR CLEANER	1				
26	B65-E4452-01	SEAL	2				
27	97707-50025	SCREW, TAPPING	8				



**FIG. 8 INTAKE**

REF. NO.	PART NO.	DESCRIPTION	EG33				REMARKS
28	52B-E443E-00	PIPE, DRAIN	1				
29	5TP-E443G-10	PIPE, DRAIN 2	1				
30	90467-12809	CLIP	2				
31	B74-E4449-00	COLLAR	2				
32	B74-E4435-00	GROMMET	2				
33	B65-E4417-00	COVER 1	1				
34	B65-E4419-00	PIPE	1				
35	90467-22802	CLIP	1				
36	95D32-06030	BOLT, FLANGE DEEP RECESS	2				
37	90520-15811	DAMPER, PLATE	1				
38	90520-10832	DAMPER, PLATE	1				
39	90450-43805	HOSE CLAMP ASSY	1				
40	B65-E1166-00	PIPE, BREATHER 1	1				
41	90467-11825	CLIP	1				
42	90467-12052	CLIP	1				

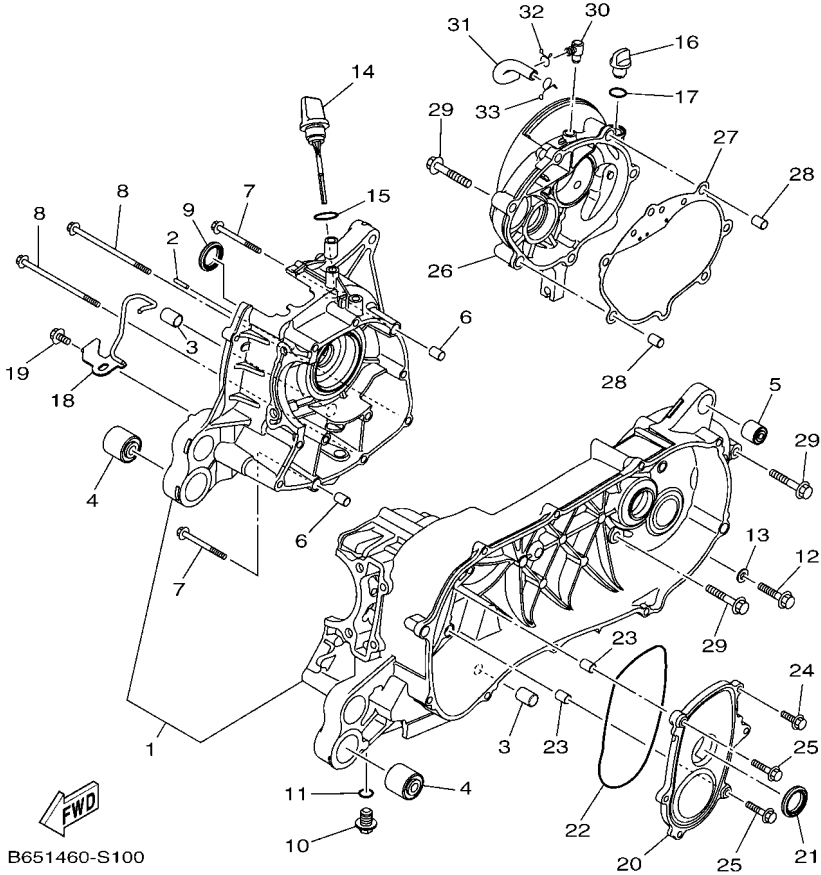
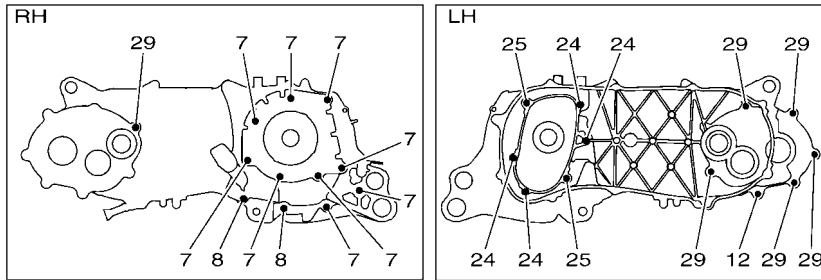
**FIG. 9 EXHAUST**



B631422-S090

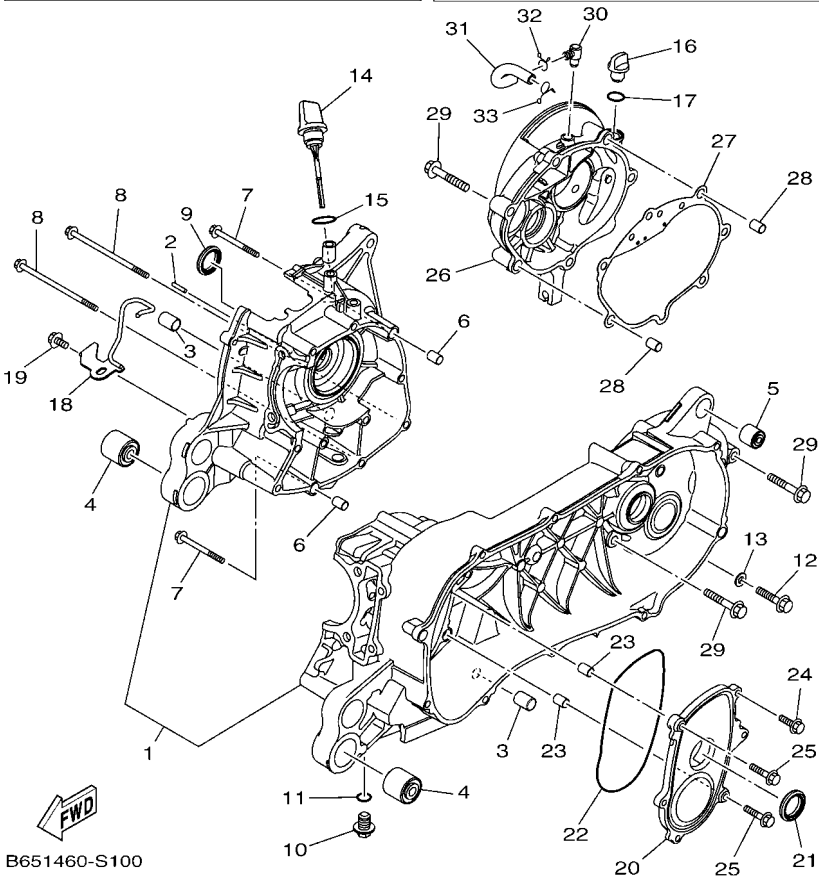
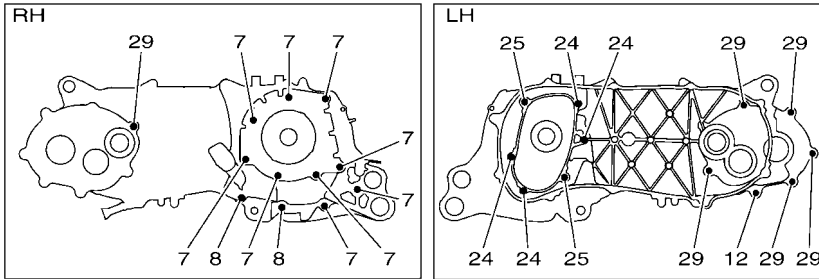
REF. NO.	PART NO.	DESCRIPTION	EG33				REMARKS
1	B65-E4711-00	MUFFLER 1	1				
2	B65-E4718-00	PROTECTOR, MUFFLER 1	1				
3	90111-06807	BOLT,HEX. SOCKET BUTTON	2				
4	2DP-E4613-00	GASKET, EXHAUST PIPE	1				
5	95702-08500	NUT, FLANGE	2				
6	95812-10045	BOLT, FLANGE	2				
7	95812-10060	BOLT, FLANGE	1				





**FIG. 10 CRANKCASE**

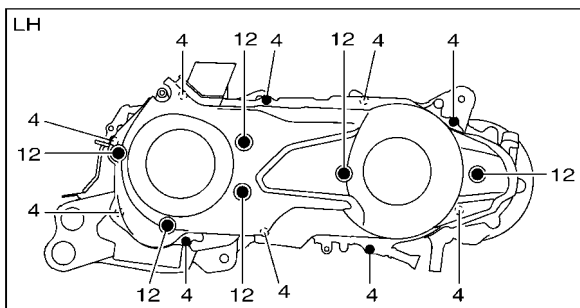
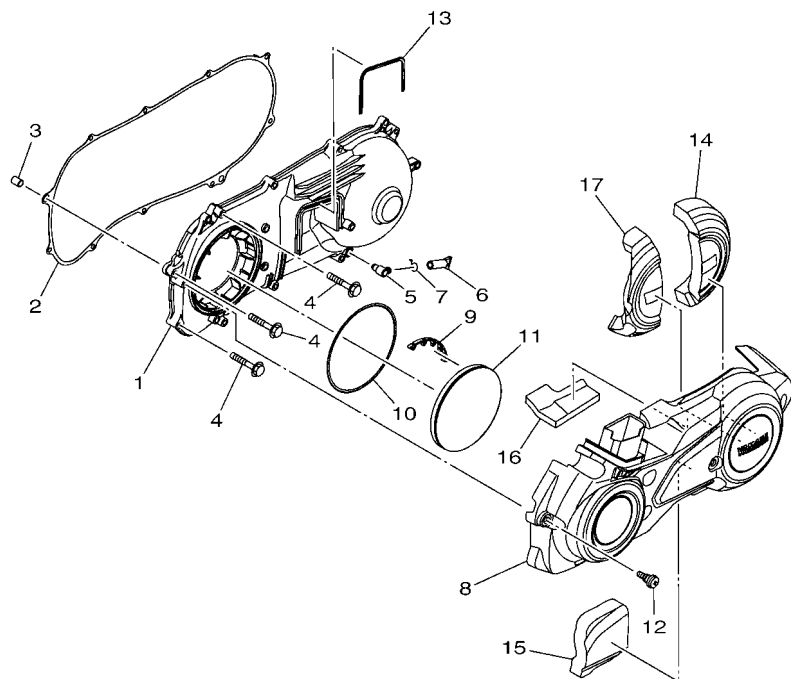
REF. NO.	PART NO.	DESCRIPTION	EG33	REMARKS
1	B65-E5150-00	CRANKCASE ASSY	1	
2	99480-03012	PIN	1	
3	54P-F7121-00	BUSH	2	
4	90388-10808	DAMPER	2	
5	5MX-F2216-00	BUSH, REAR SHOCK ABSORBER	1	
6	91810-14809	PIN, DOWEL	2	
7	95022-06060	BOLT, FLANGE	9	
8	95022-06110	BOLT, FLANGE	2	
9	93102-22829	OIL SEAL	1	
10	90340-12808	PLUG, STRAIGHT SCREW	1	
11	4YS-E1198-00	GASKET	1	
12	95D32-08035	BOLT, FLANGE DEEP RECESS	1	
13	90430-08119	GASKET	1	
14	2DP-E5362-00	PLUG, OIL LEVEL	1	
15	5LW-E3769-00	O-RING	1	
16	5LW-E5363-00	PLUG, OIL	1	
17	93210-14816	O-RING	1	
18	B65-E5199-00	BRACKET	1	
19	95022-06012	BOLT, FLANGE	1	
20	B65-E5423-00	COVER 2	1	
21	93102-24802	OIL SEAL	1	
22	93211-28800	O-RING	1	
23	91810-14809	PIN, DOWEL	2	
24	95022-06020	BOLT, FLANGE	4	
25	95022-06030	BOLT, FLANGE	2	
26	B65-E5421-00	COVER, CRANKCASE 2	1	
27	B65-E5461-00	GASKET, CRANKCASE COVER 2	1	



**FIG. 10 CRANKCASE**

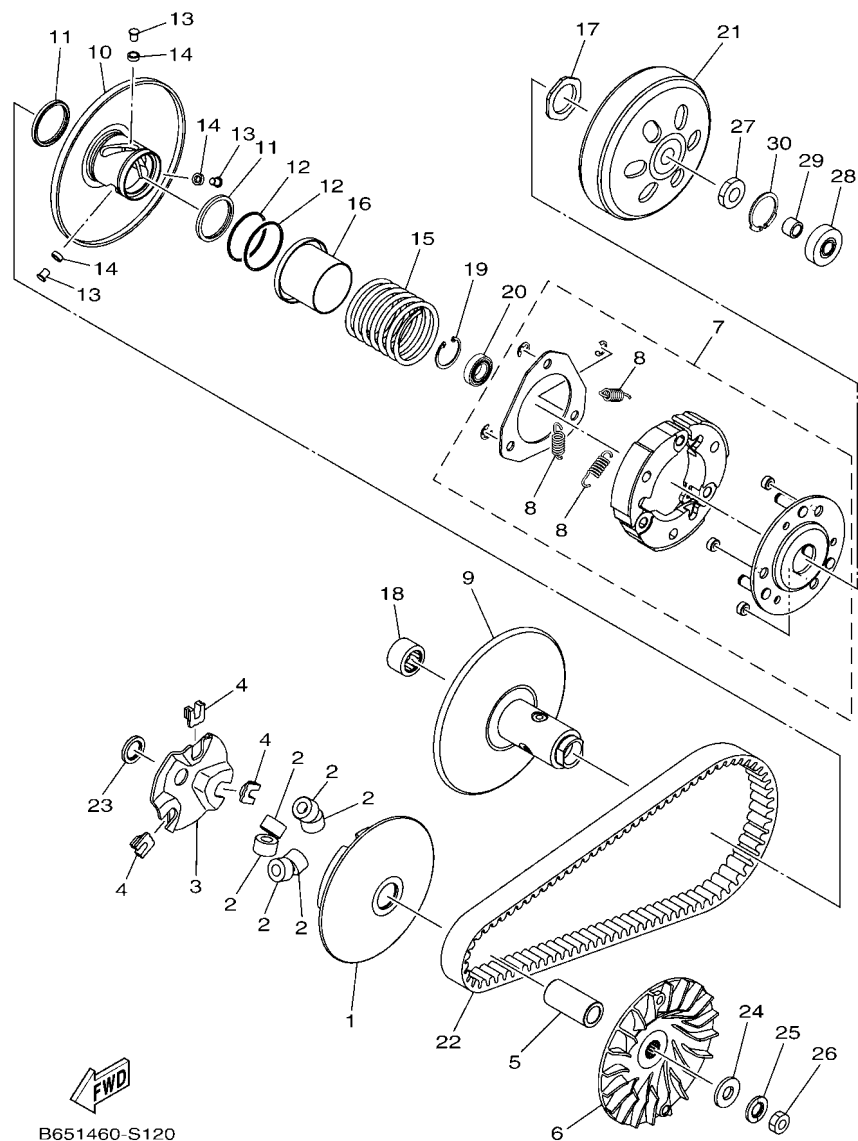
REF. NO.	PART NO.	DESCRIPTION	EG33				REMARKS
28	91810-14809	PIN, DOWEL	2				
29	95022-08045	BOLT, FLANGE	6				
30	5LW-E5371-01	BREATHER	1				
31	B65-E5373-00	PIPE, BREATHER	1				
32	90467-10008	CLIP	1				
33	90467-11825	CLIP	1				

**FIG. 11 CRANKCASE COVER 1**



B631422-S110

REF. NO.	PART NO.	DESCRIPTION	EG33				REMARKS
1	B65-E5411-00	COVER, CRANKCASE 1	1				
2	B65-E5451-00	GASKET, CRANKCASE COVER 1	1				
3	91810-14809	PIN, DOWEL	1				
4	95022-06035	BOLT, FLANGE	10				
5	5LW-E5371-01	BREATHER	1				
6	4ST-E443E-00	PIPE, DRAIN	1				
7	90467-11106	CLIP	1				
8	B65-E5431-00	COVER, CRANKCASE 3	1				
9	2DP-E5495-00	SEAL, PROTECTOR 1	1				
10	B65-E5472-00	SEAL, AIR DUCT	1				
11	2DP-E5407-00	ELEMENT 1	1				
12	2DP-E5481-00	BOLT 1	6				
13	2DP-E5474-00	SEAL, AIR DUCT	1				
14	B65-E5316-00	DAMPER 1	1				
15	B65-E5326-00	DAMPER 2	1				
16	B65-E5335-00	DAMPER 3	1				
17	B65-E5337-00	DAMPER 4	1				

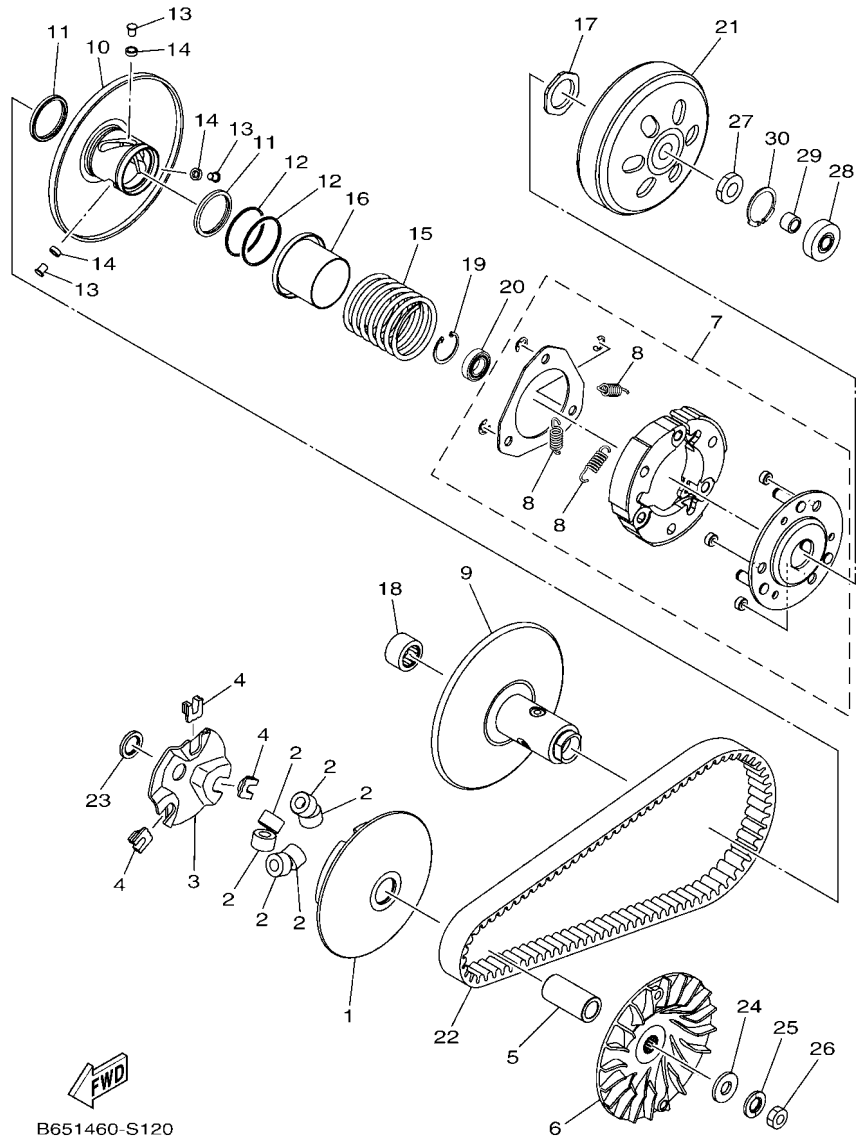


B651460-S120

FIG. 12 CLUTCH

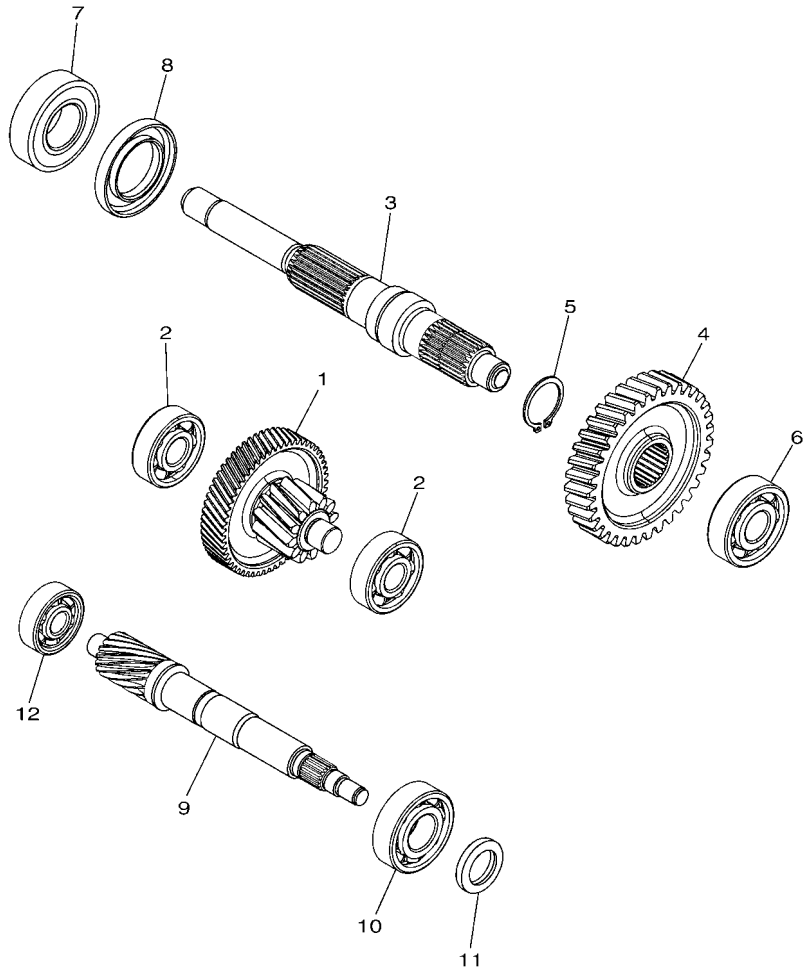
REF. NO.	PART NO.	DESCRIPTION	EG33				REMARKS
1	B65-E7620-00	PRIMARY SLIDING SHEAVE COMP.	1				
2	B65-E7632-00	WEIGHT	6				
3	2DP-E7623-00	CAM	1				
4	44D-E7653-00	SLIDER	3				
5	2DP-E7674-00	COLLAR, GUIDE	1				
6	2DP-E7611-00	SHEAVE, PRIMARY FIXED	1				
7	B65-E6620-00	CLUTCH CARRIER ASSY	1				
8	B65-E6626-00	.SPRING, CLUTCH WEIGHT 1	3				
9	2DP-E7660-00	SECONDARY FIXED SHEAVE COMP.	1				
10	B65-E7670-00	SECONDARY SLIDING SHEAVE	1				
11	2DP-E7465-00	SEAL	2				
12	2DP-E7465-10	SEAL	2				
13	B74-E7664-00	PIN, GUIDE	3				
14	2DP-E7674-10	COLLAR, GUIDE	3				
15	B65-E7683-00	SPRING, SECONDARY	1				
16	2DP-E7684-00	SEAT, SECONDARY SPRING	1				
17	2DP-E7668-00	NUT	1				
18	2DP-E7678-00	BEARING	1				
19	2DP-E5744-00	CIRCLIP	1				
20	2DP-E7678-10	BEARING	1				
21	B65-E6611-00	CLUTCH HOUSING COMP.	1				
22	B65-E7641-00	V-BELT	1				
23	90201-16819	WASHER, PLATE	1				
24	90201-163G6	WASHER, PLATE	1				
25	90208-12808	WASHER, CONICAL SPRING	1				
26	90170-12800	NUT	1				
27	90170-12802	NUT	1				

**FIG. 12 CLUTCH**



B651460-S120

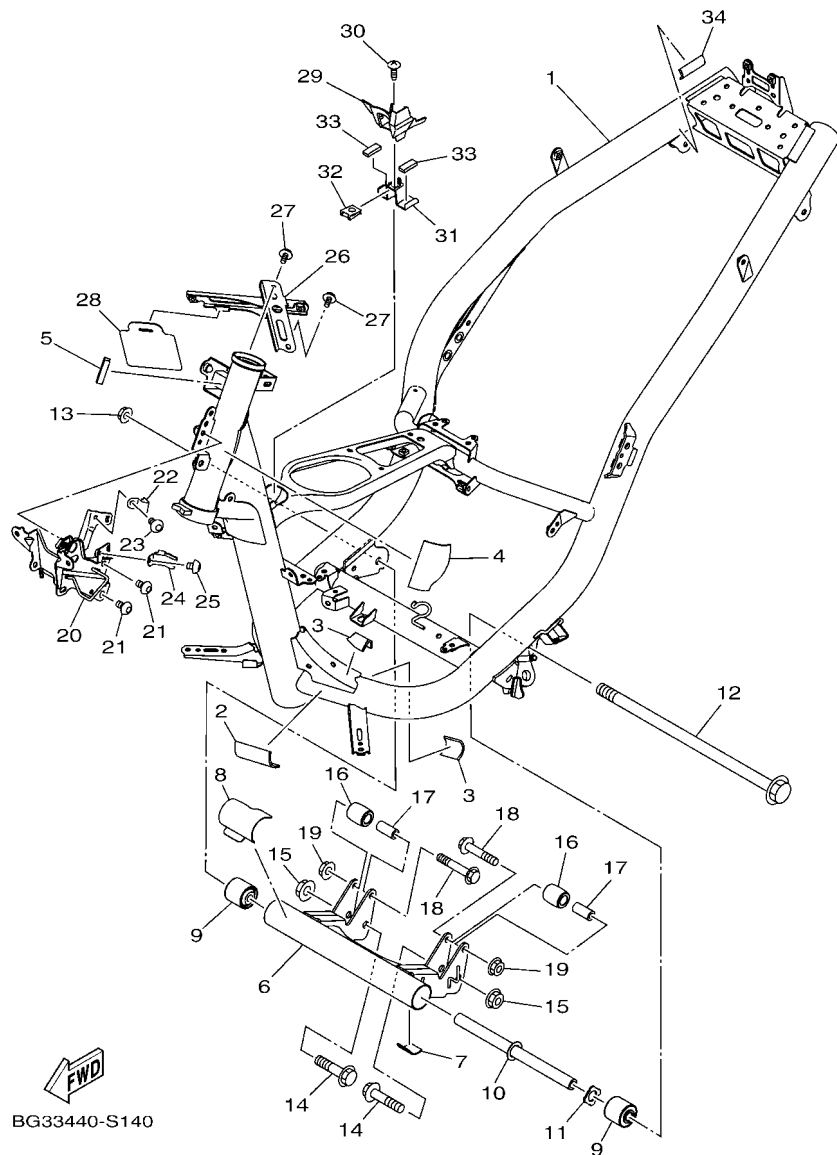
REF. NO.	PART NO.	DESCRIPTION	EG33				REMARKS
28	93306-252YR	BEARING	1				
29	90380-10803	BUSH, SOLID	1				
30	99009-35700	CIRCLIP	1				



  
2DP1460-P140

**FIG. 13 TRANSMISSION**

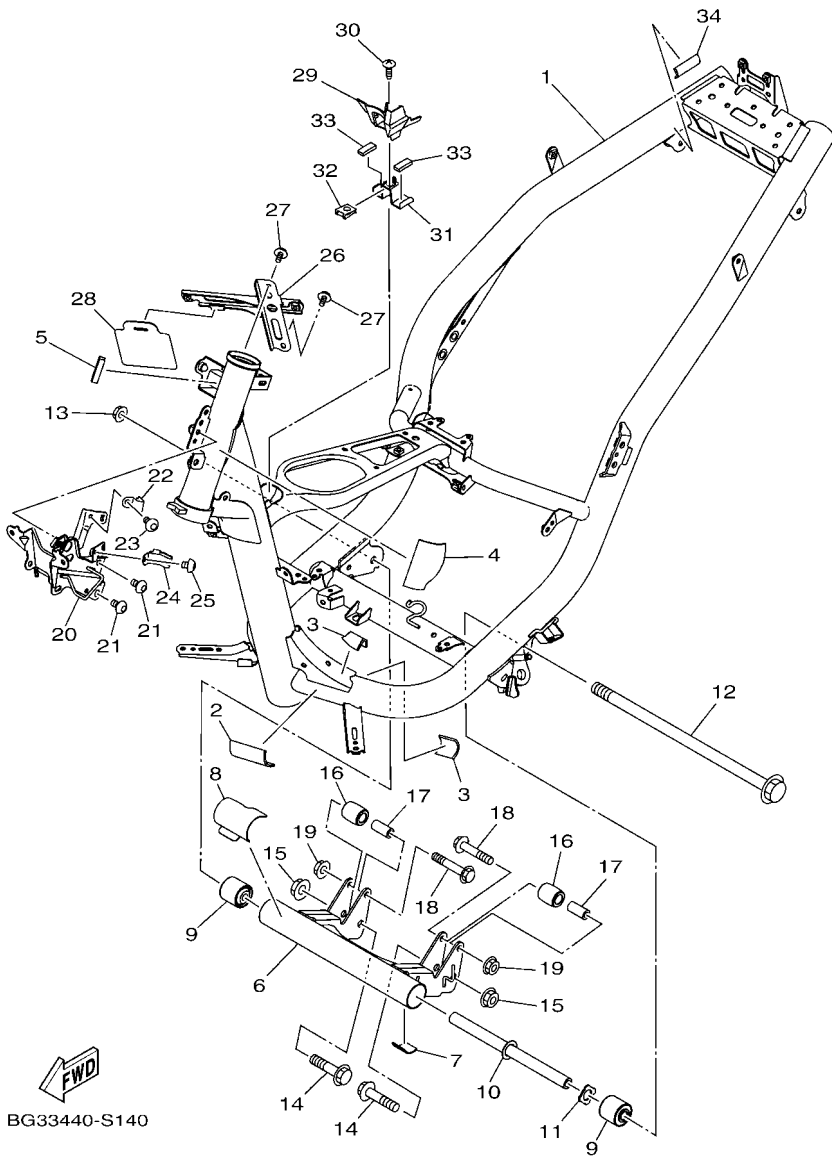
REF. NO.	PART NO.	DESCRIPTION	EG33				REMARKS
1	B65-E7410-00	MAIN AXLE COMP. (13T/56T)	1				UR
	B65-E7410-10	MAIN AXLE COMP. (13T/56T)	1				UR
	B65-E7410-20	MAIN AXLE COMP. (13T/56T)	1				UR
2	93306-302YP	BEARING	2				
3	B65-E7421-00	AXLE, DRIVE	1				UR
	B65-E7421-10	AXLE, DRIVE	1				UR
4	B65-E7211-00	GEAR, 1ST WHEEL (40T)	1				UR
	B65-E7211-10	GEAR, 1ST WHEEL (40T)	1				UR
5	99009-25400	CIRCLIP	1				
6	93306-303YT	BEARING	1				
7	93306-255X5	BEARING	1				
8	93102-32807	OIL SEAL	1				
9	B65-E6111-00	GEAR, PRIMARY DRIVE (16T)	1				UR
	B65-E6111-10	GEAR, PRIMARY DRIVE (16T)	1				UR
10	93306-204XW	BEARING	1				
11	93102-20815	OIL SEAL	1				
12	93306-351Y5	BEARING	1				



BG33440-S140

FIG. 14 FRAME

REF. NO.	PART NO.	DESCRIPTION	BG33				REMARKS
1	B65-F1110-00	FRAME COMP.	1				
2	5D9-F414G-00	SEAL	1				
3	5D9-F414G-10	SEAL	2				
4	90520-02829	DAMPER, PLATE	1				
5	90520-08803	DAMPER, PLATE	1				
6	B65-F1410-00	ENGINE BRACKET COMP.	1				
7	5D9-F414G-10	SEAL	1				
8	B65-F117G-00	PROTECTOR	1				
9	90388-10818	DAMPER	2				
10	90387-10857	COLLAR	1				
11	B65-F113B-00	DAMPER	1				
12	B65-F2141-00	SHAFT, PIVOT	1				
13	95602-10200	NUT, S/L FLANGE	1				
14	90105-10283	BOLT, FLANGE	2				
15	95602-10200	NUT, S/L FLANGE	2				
16	5P2-F7114-00	STOPPER, MAIN STAND	2				
17	90387-08821	COLLAR	2				
18	90105-088E3	BOLT, FLANGE	2				
19	95602-08200	NUT, U FLANGE	2				
20	B65-F8356-10	STAY 1	1				
21	92012-08012	BOLT, BUTTON HEAD	2				
22	B65-F5887-00	HOLDER, BRAKE HOSE	1				
23	92012-06010	BOLT, BUTTON HEAD	1				
24	B65-F587A-00	HOLDER, BRAKE HOSE	1				
25	92012-06010	BOLT, BUTTON HEAD	1				
26	B65-F8358-00	STAY 3	1				
27	95D32-06010	BOLT, FLANGE DEEP RECESS	2				

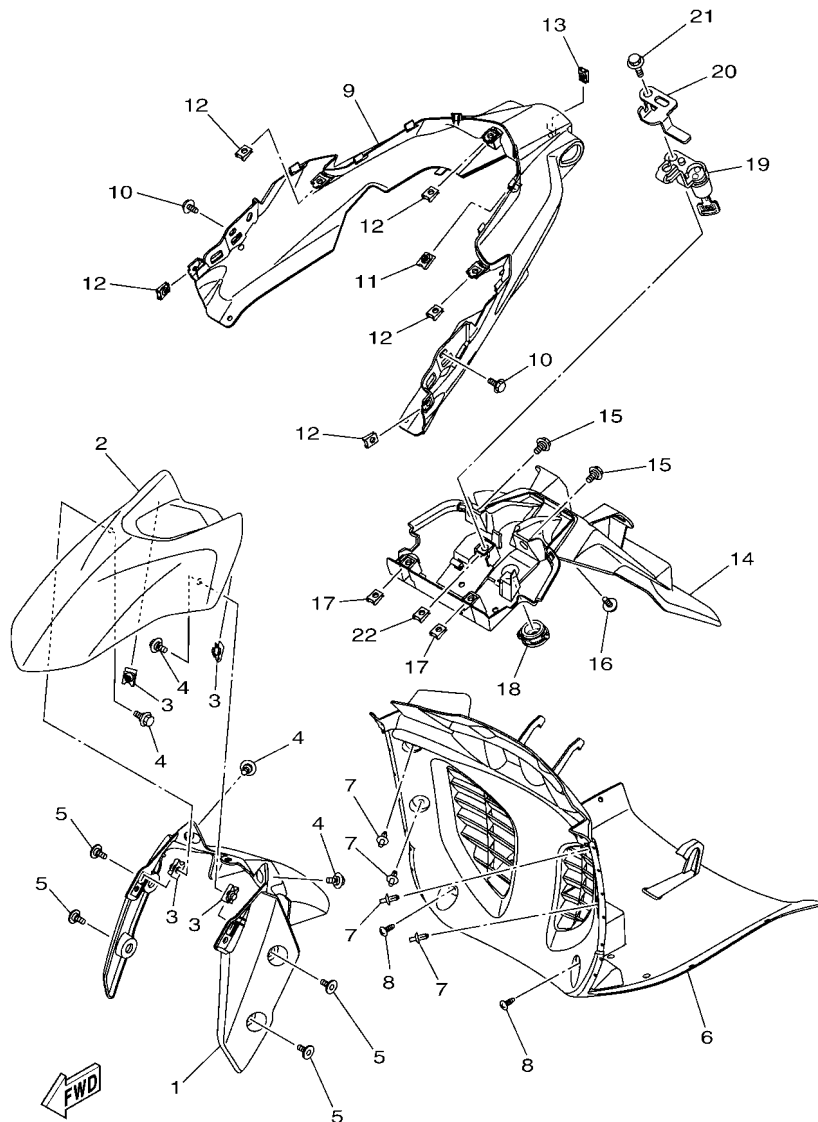


BG33440-S140

FIG. 14 FRAME

REF. NO.	PART NO.	DESCRIPTION	BG33				REMARKS
28	B65-F1521-00	FLAP, FRONT FENDER	1				
29	B65-F472T-00	COVER, SEAT LOCK	1				
30	97707-50016	SCREW, TRUSS HEAD TAPPING	1				
31	B65-F4738-00	BRACKET, SEAT	1				
32	90183-05807	NUT, SPRING	1				
33	90520-05815	DAMPER, PLATE	2				
34	90520-10834	DAMPER, PLATE	1				





BG33440-S150

FIG. 15 FENDER

REF. NO.	PART NO.	DESCRIPTION	BG33				REMARKS
1	B65-F1511-00	FENDER, FRONT	1				
2	BG3-F1556-00-33	FENDER, FRONT 2	1				UR FOR YB
	BG3-F1556-00-P0	FENDER, FRONT 2	1				UR FOR MDRM3
	BG3-F1556-00-P1	FENDER, FRONT 2	1				UR FOR DPBMC
3	90183-06818	NUT, SPRING	4				
4	90109-06220	BOLT	4				
5	90109-068A4	BOLT	4				
6	B65-F1552-00	FENDER, INNER	1				
7	90269-06816	RIVET	4				
8	97707-50016	SCREW, TRUSS HEAD TAPPING	2				
9	B65-F1611-00	FENDER, REAR	1				
10	90119-06044	BOLT, WITH WASHER	2				
11	90183-06800	NUT, SPRING	1				
12	90183-05807	NUT, SPRING	5				
13	90183-04039	NUT, SPRING	1				
14	B65-F162R-10	FENDER 2	1				
15	90109-06220	BOLT	2				
16	90119-06096	BOLT, WITH WASHER	1				
17	90183-05807	NUT, SPRING	2				
18	B65-F482H-00	CAP	1				
19	B65-F465E-00	ROTOR COMP.	1				
20	B65-F117K-00	STAY, LOCK	1				
21	95022-06020	BOLT, FLANGE	1				
22	90183-06800	NUT, SPRING	1				

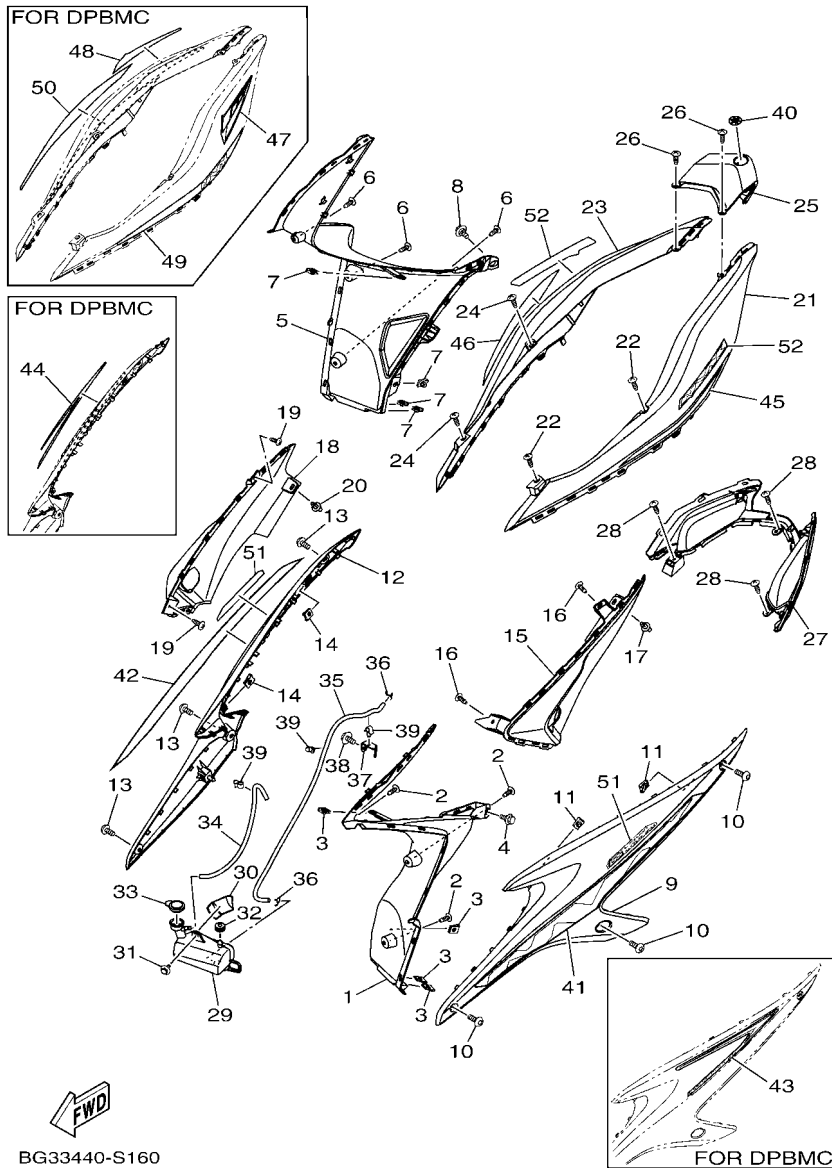
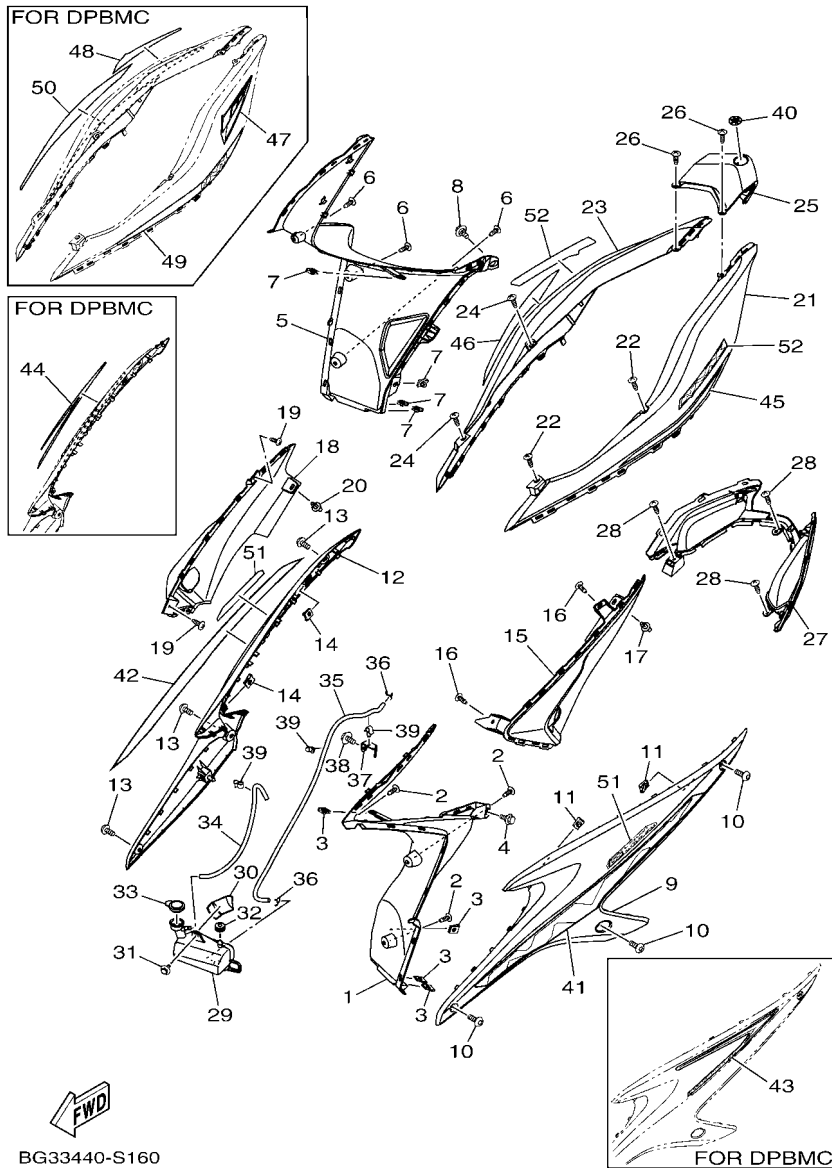


FIG. 16 SIDE COVER

REF. NO.	PART NO.	DESCRIPTION	BG33	REMARKS
1	B65-F1711-00	COVER, SIDE 1	1	
2	97707-50016	SCREW, TRUSS HEAD TAPPING	3	
3	90183-05807	NUT, SPRING	4	
4	90109-06220	BOLT	1	
5	B65-F1721-00	COVER, SIDE 2	1	
6	97707-50016	SCREW, TRUSS HEAD TAPPING	3	
7	90183-05807	NUT, SPRING	4	
8	90109-06220	BOLT	1	
9	BG3-F1731-00-P0	COVER, SIDE 3	1	MBL2 FOR YB,MDRM3
	BG3-F1731-00-35	COVER, SIDE 3	1	SL FOR DPBMC
10	90167-05801	SCREW, TAPPING	3	
11	90183-05807	NUT, SPRING	2	
12	BG3-F1741-00-P0	COVER, SIDE 4	1	MBL2 FOR YB,MDRM3
	BG3-F1741-00-35	COVER, SIDE 4	1	SL FOR DPBMC
13	90167-05801	SCREW, TAPPING	3	
14	90183-05807	NUT, SPRING	2	
15	B65-F171N-00	MOLE, SIDE COVER 3	1	
16	97707-50016	SCREW, TRUSS HEAD TAPPING	2	
17	90269-06816	RIVET	1	
18	B65-F171R-00	MOLE, SIDE COVER 4	1	
19	97707-50016	SCREW, TRUSS HEAD TAPPING	2	
20	90269-06816	RIVET	1	
21	BG3-F171E-00-33	COVER, SIDE 5	1	UR FOR YB
	BG3-F171E-00-P0	COVER, SIDE 5	1	UR FOR MDRM3
	BG3-F171E-00-P1	COVER, SIDE 5	1	UR FOR DPBMC
22	97707-50016	SCREW, TRUSS HEAD TAPPING	2	
23	BG3-F171X-00-33	COVER, SIDE 6	1	UR FOR YB

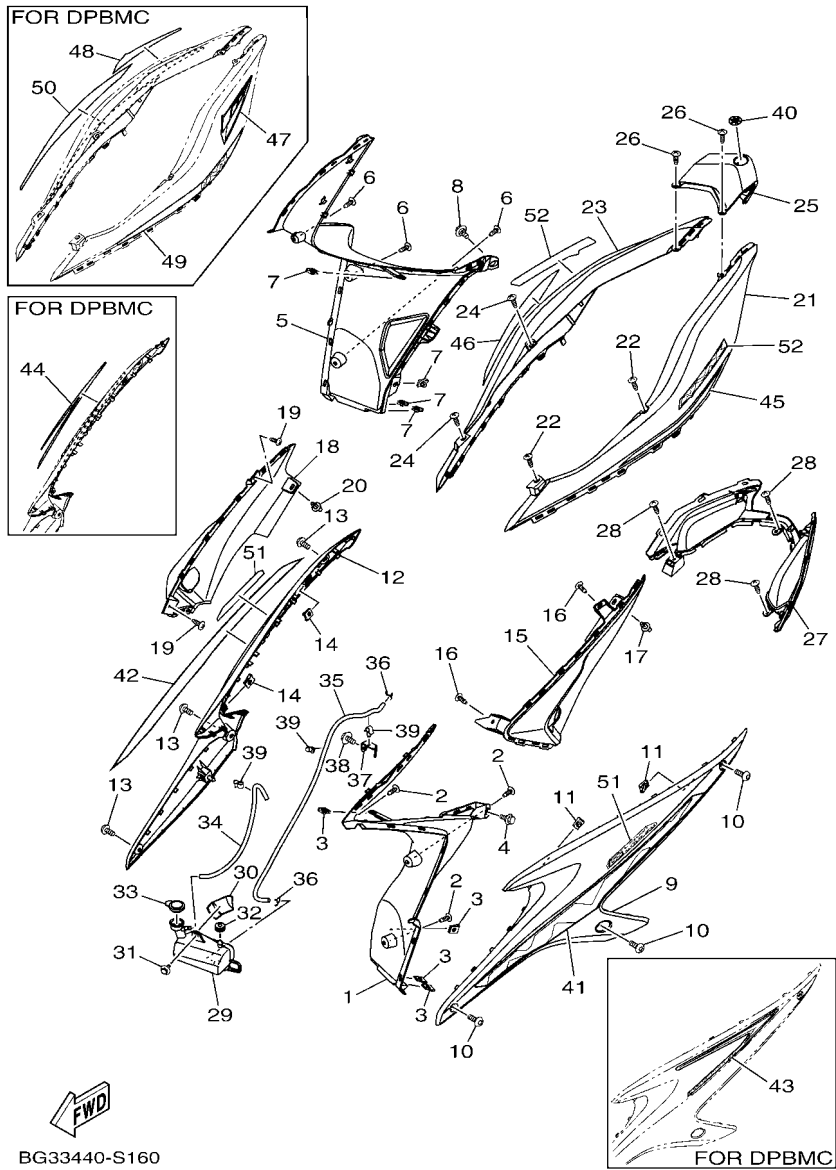


BG33440-S160

FIG. 16 SIDE COVER

REF. NO.	PART NO.	DESCRIPTION	BG33	REMARKS
23	BG3-F171X-00-P0	COVER, SIDE 6	1	UR FOR MDRM3
	BG3-F171X-00-P1	COVER, SIDE 6	1	UR FOR DPBMC
24	97707-50016	SCREW, TRUSS HEAD TAPPING	2	
25	BG3-F471K-00-33	COVER, TAIL 1	1	UR FOR YB
	BG3-F471K-00-P0	COVER, TAIL 1	1	UR FOR MDRM3
	BG3-F471K-00-P1	COVER, TAIL 1	1	UR FOR DPBMC
26	97707-50016	SCREW, TRUSS HEAD TAPPING	2	
27	B65-F472K-00	COVER, TAIL 2	1	
28	97707-50016	SCREW, TRUSS HEAD TAPPING	3	
29	B65-F1871-00	TANK, RECOVERY	1	
30	90520-02829	DAMPER, PLATE	1	
31	90109-06220	BOLT	1	
32	90480-14808	GROMMET	1	
33	1S7-F1875-00	CAP	1	
34	B65-F1816-00	PIPE 1	1	
35	B65-F1817-00	PIPE 2	1	
36	90467-08003	CLIP	2	
37	B65-F2957-00	BRACKET, HOSE	1	
38	95D02-06012	BOLT, FLANGE DEEP RECESS	1	
39	90464-07805	CLAMP	3	
40	5P2-F1737-00	EMBLEM	1	
41	BG3-F173E-00	GRAPHIC 1	1	UR FOR YB
	BG3-F173E-10	GRAPHIC 1	1	UR FOR MDRM3
42	BG3-F173F-00	GRAPHIC 2	1	UR FOR YB
	BG3-F173F-10	GRAPHIC 2	1	UR FOR MDRM3
43	BG3-F174G-00	GRAPHIC 3	1	FOR DPBMC
44	BG3-F174H-00	GRAPHIC 4	1	FOR DPBMC

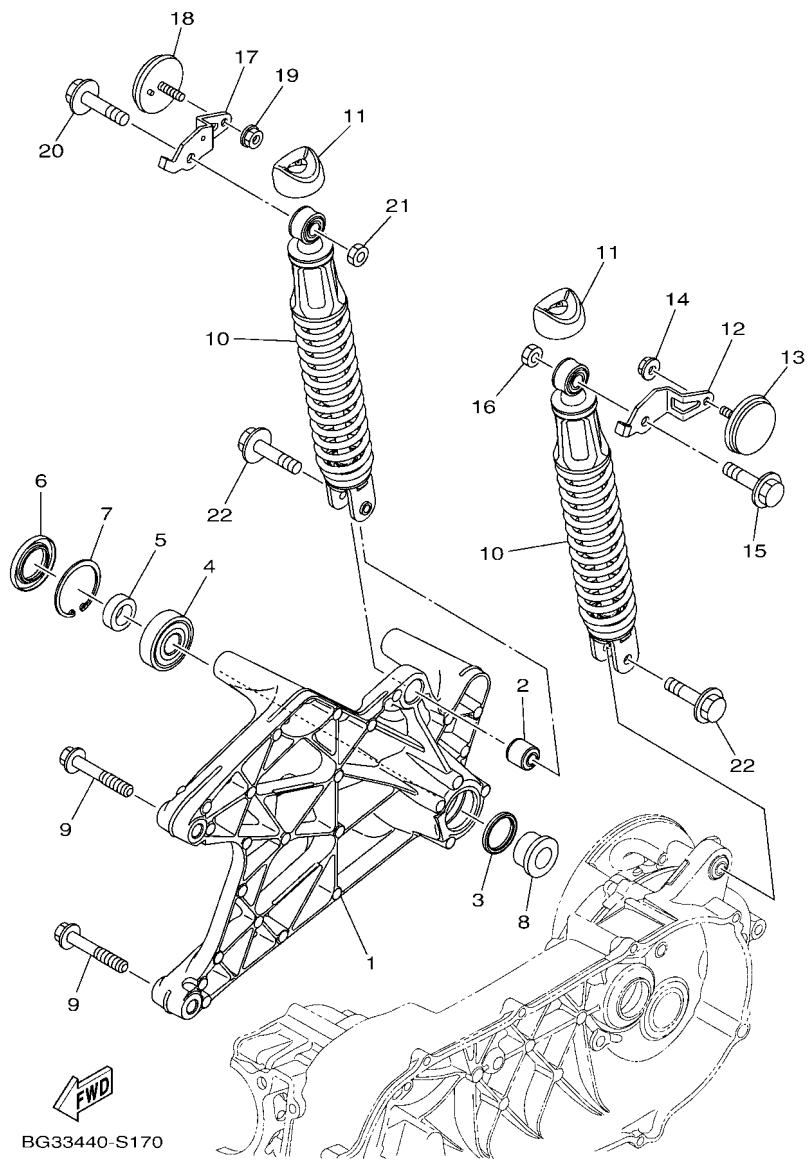
**FIG. 16 SIDE COVER**



BG33440-S160

REF. NO.	PART NO.	DESCRIPTION	BG33			REMARKS
45	BG3-F174J-00	GRAPHIC 5	1			UR FOR YB
	BG3-F174J-10	GRAPHIC 5	1			UR FOR MDRM3
46	BG3-F174K-00	GRAPHIC 6	1			UR FOR YB
	BG3-F174K-10	GRAPHIC 6	1			UR FOR MDRM3
47	BG3-F179J-00	GRAPHIC 7	1			FOR DPBMC
48	BG3-F179K-00	GRAPHIC 8	1			FOR DPBMC
49	BG3-F179L-00	GRAPHIC 9	1			FOR DPBMC
50	BG3-F179M-00	GRAPHIC 10	1			FOR DPBMC
51	BG3-F1781-00	EMBLEM 1	2			UR FOR YB
	BG3-F1781-10	EMBLEM 1	2			UR FOR MDRM3
52	BG3-F1783-00	EMBLEM 3	2			UR FOR YB
	BG3-F1783-10	EMBLEM 3	2			UR FOR MDRM3

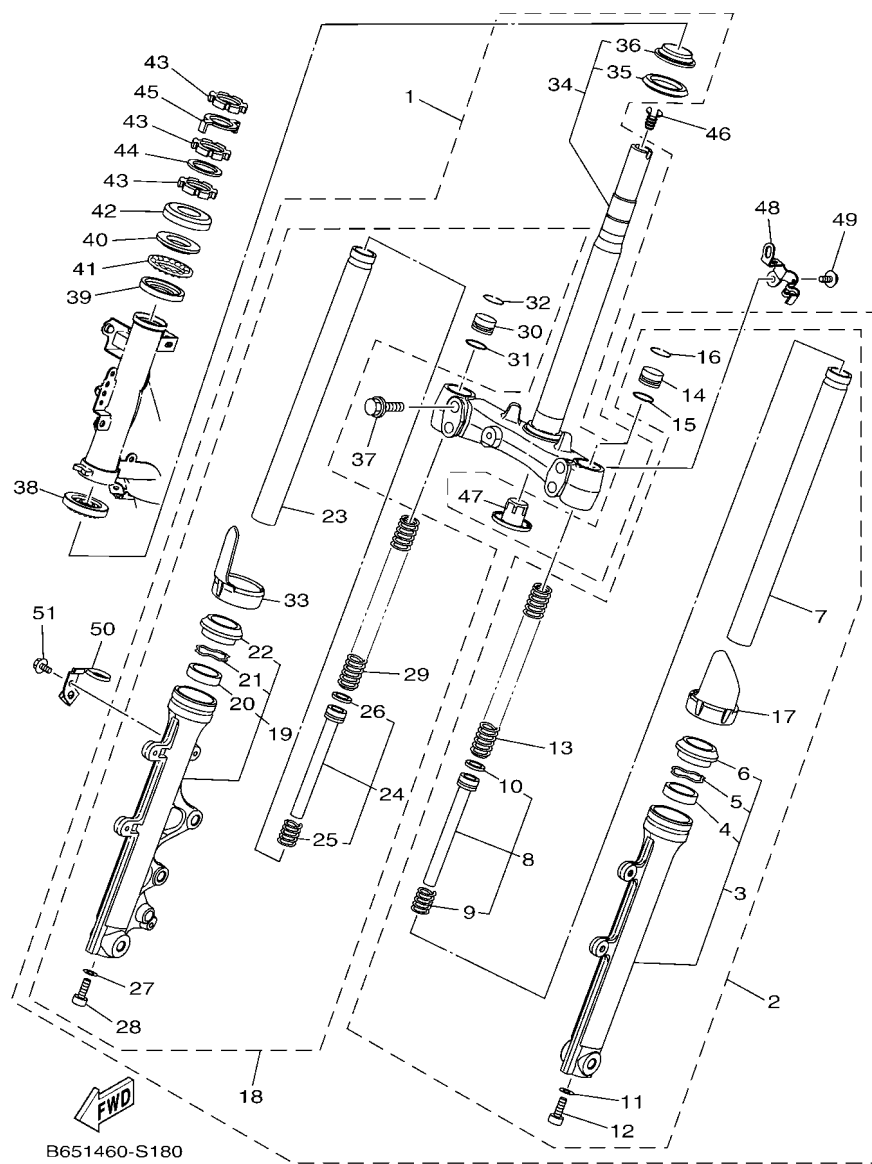
**FIG. 17 REAR ARM & SUSPENSION**



BG33440-S170

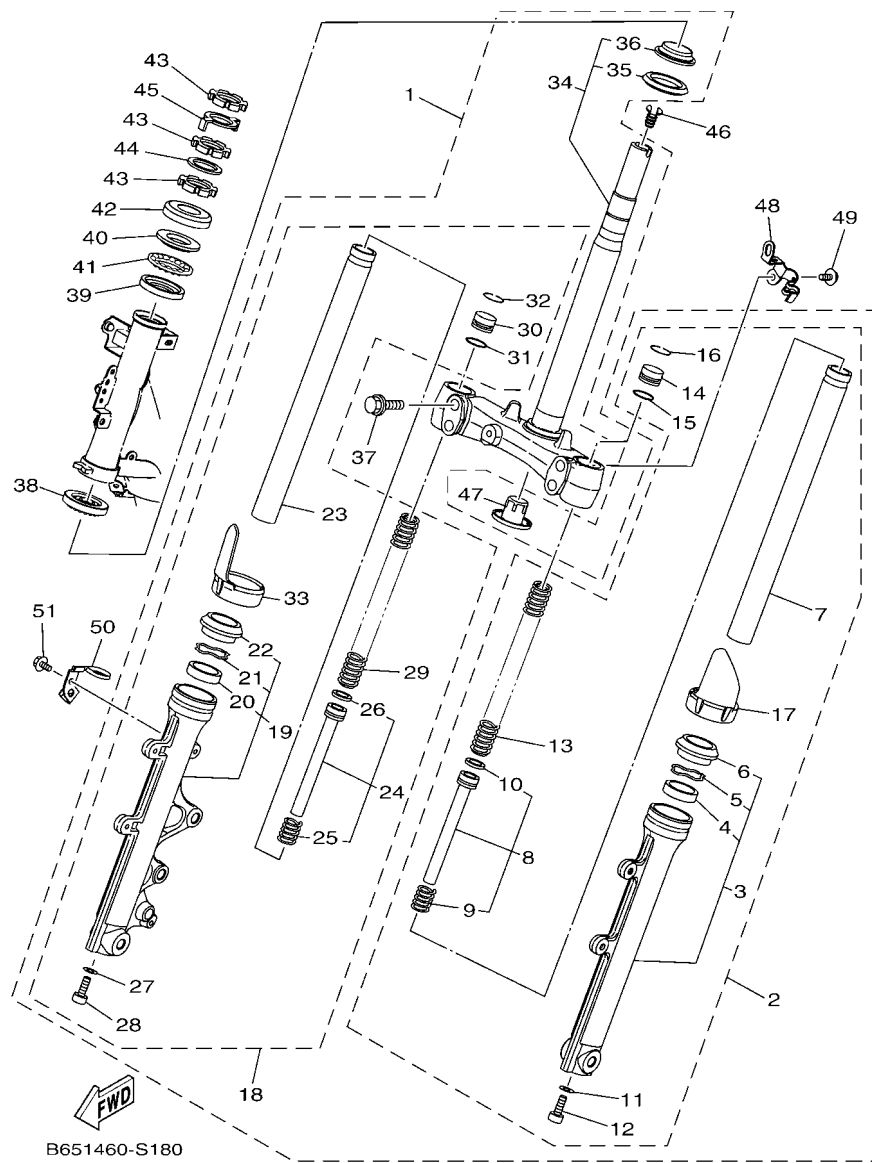
REF. NO.	PART NO.	DESCRIPTION	BG33				REMARKS
1	B65-F2171-00	ARM, REAR 1	1				
2	5MX-F2216-00	BUSH, REAR SHOCK ABSORBER	1				
3	93106-28801	OIL SEAL	1				
4	93306-303YV	BEARING	1				
5	90387-17807	COLLAR	1				
6	93106-28813	OIL SEAL	1				
7	99009-47500	CIRCLIP	1				
8	90387-17808	COLLAR	1				
9	95D32-10060	BOLT, FLANGE DEEP RECESS	2				
10	B65-F2210-00	SHOCK ABSORBER ASSY, REAR	2				
11	B65-F2211-00	COVER	2				
12	BG3-F221A-00	BRACKET 1	1				
13	2FC-H5111-00	REFLECTOR, FRONT 1	1				
14	95702-05500	NUT, FLANGE	1				
15	90105-088H0	BOLT, FLANGE	1				
16	95302-08600	NUT, HEXAGON	1				
17	BG3-F221B-00	BRACKET 2	1				
18	2FC-H5111-00	REFLECTOR, FRONT 1	1				
19	95702-05500	NUT, FLANGE	1				
20	90105-088H0	BOLT, FLANGE	1				
21	95302-08600	NUT, HEXAGON	1				
22	90105-088H0	BOLT, FLANGE	2				

FIG. 18 STEERING



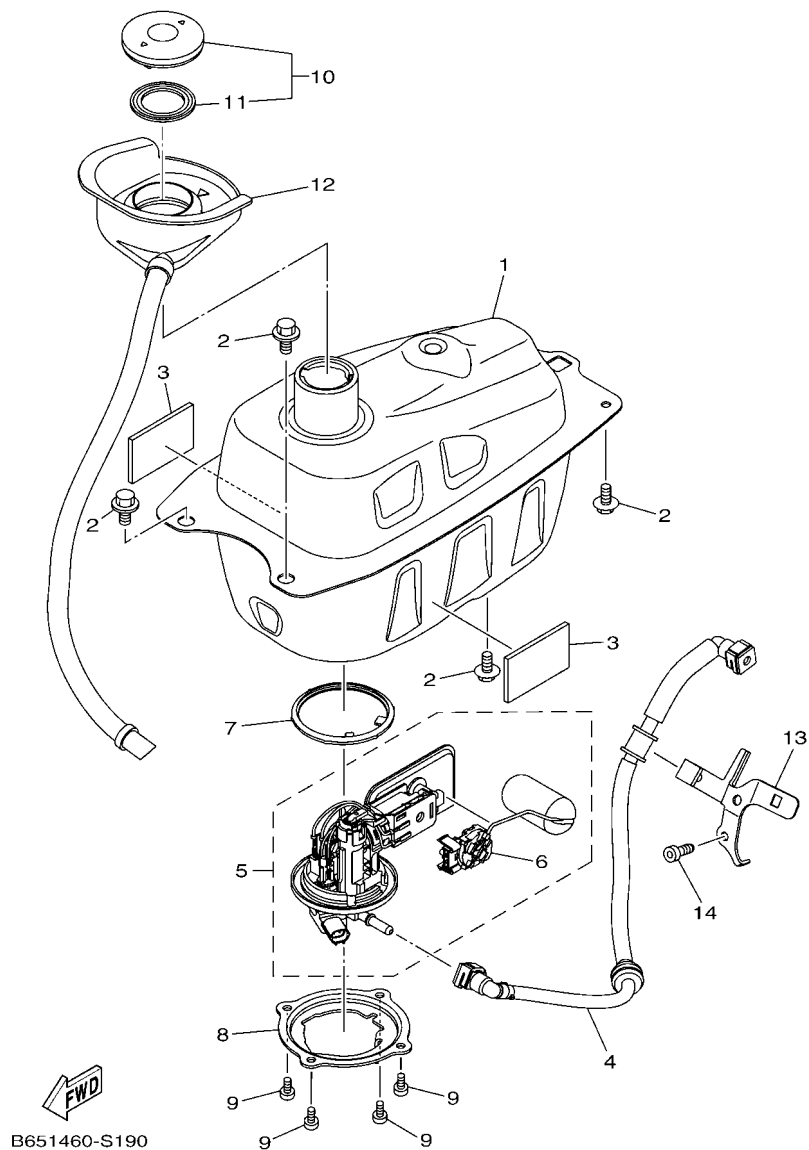
REF. NO.	PART NO.	DESCRIPTION	EG33				REMARKS
1	B65-F3100-00	FRONT FORK ASSY	1				
2	B65-F3102-00	.FRONT FORK ASSY (L.H)	1				
3	B65-F3126-00	..TUBE, OUTER (L.H)	1				
4	3AY-F3145-00	...OIL SEAL	1				
5	5P0-F3156-00	...RING, SNAP	1				
6	5LM-F3144-00	...SEAL, DUST	1				
7	B65-F3110-00	..INNER TUBE COMP.1	1				
8	B63-F3170-00	..CYLINDER COMP., FRONT FORK	1				
9	5LM-F3152-00	...SPRING, SUB	1				
10	2JG-F3157-00	...RING, PISTON	1				
11	2BU-F3158-00	..GASKET	1				
12	278-F3181-50	..BOLT, HEXAGON SOCKET HEAD	1				
13	B63-F3141-00	..SPRING, FRONT FORK	1				
14	1FC-F3111-10	..BOLT, CAP	1				
15	2JG-F3147-00	..O-RING	1				
16	31B-F3153-00	..RING, SNAP	1				
17	B65-F315H-00	..PROTECTOR 1	1				
18	B65-F3103-00	.FRONT FORK ASSY (R.H)	1				
19	B65-F3136-00	..TUBE, OUTER 2	1				
20	3AY-F3145-00	...OIL SEAL	1				
21	5P0-F3156-00	...RING, SNAP	1				
22	5LM-F3144-00	...SEAL, DUST	1				
23	B65-F3110-00	..INNER TUBE COMP.1	1				
24	B63-F3170-00	..CYLINDER COMP., FRONT FORK	1				
25	5LM-F3152-00	...SPRING, SUB	1				
26	2JG-F3157-00	...RING, PISTON	1				
27	2BU-F3158-00	..GASKET	1				

FIG. 18 STEERING



REF. NO.	PART NO.	DESCRIPTION	EG33				REMARKS
28	278-F3181-50	..BOLT, HEXAGON SOCKET HEAD	1				
29	B63-F3141-00	..SPRING, FRONT FORK	1				
30	1FC-F3111-10	..BOLT, CAP	1				
31	2JG-F3147-00	..O-RING	1				
32	31B-F3153-00	..RING, SNAP	1				
33	B65-F315J-00	..PROTECTOR 2	1				
34	B65-F3340-00	..UNDER BRACKET COMP.	1				
35	B63-F3462-00	..SEAL, DUST	1				
36	2TD-F3875-00	..BEARING, STEERING LOWER	1				
37	4D0-F3346-00	..BOLT 1	4				
38	2TD-F3873-00	BEARING, STEERING UPPER	1				
39	4RT-F3412-10	RACE, BALL 2	1				
40	4RT-F3411-10	RACE, BALL 1	1				
41	1P6-F341E-10	RETAINER, BALL BEARING	1				
42	5TL-F3416-00	COVER, BALL RACE 2	1				
43	90179-25810	NUT	3				
44	90202-26142	WASHER, PLATE	1				
45	1PA-F3418-00	WASHER, SPECIAL	1				
46	B65-F312G-00	PLUG, HOLE	1				
47	B65-F3123-00	COVER, UNDER 1	1				
48	B65-F5875-00	HOLDER, BRAKE HOSE 1	1				
49	95D02-06012	BOLT, FLANGE DEEP RECESS	1				
50	B65-F5876-00	HOLDER, BRAKE HOSE 2	1				
51	95D02-06012	BOLT, FLANGE DEEP RECESS	1				

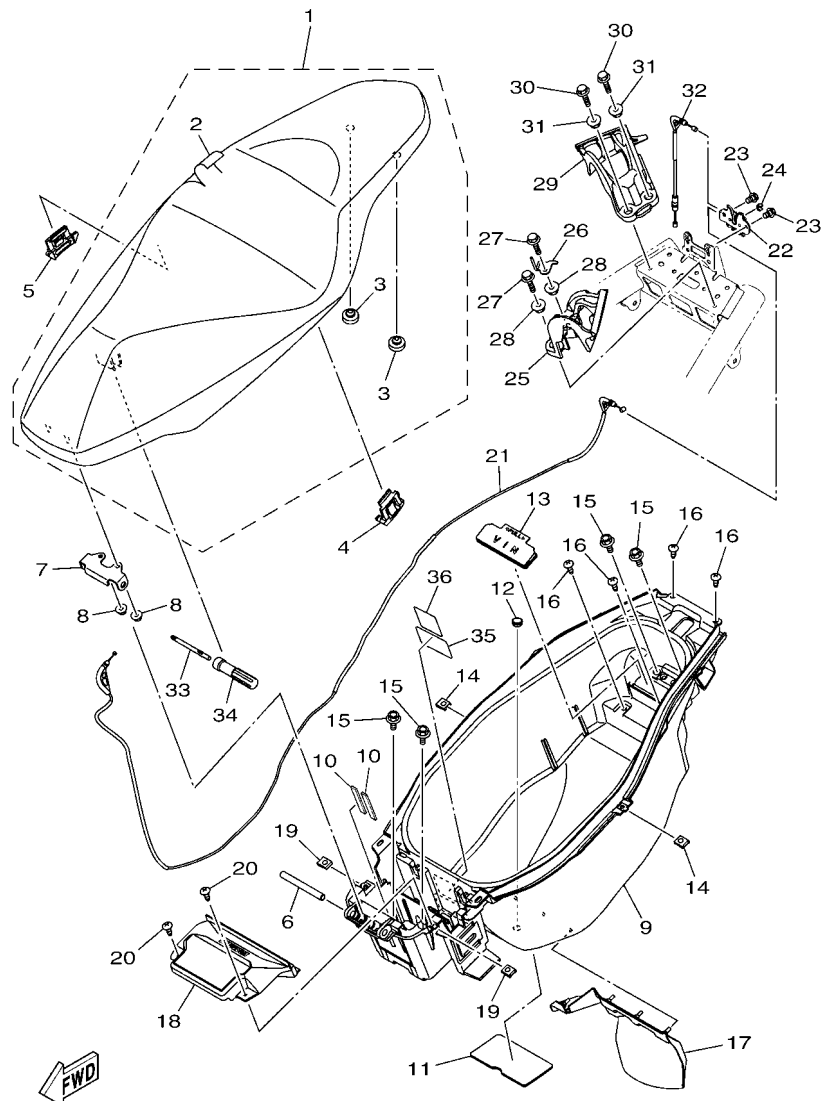
**FIG. 19 FUEL TANK**



B651460-S190

REF. NO.	PART NO.	DESCRIPTION	EG33				REMARKS
1	B65-F4110-00	FUEL TANK COMP.	1				
2	90119-068B7	BOLT, WITH WASHER	4				
3	90520-02829	DAMPER, PLATE	2				
4	B65-E3971-00	PIPE, FUEL 1	1				
5	B65-E3907-10	FUEL PUMP COMP.	1				
6	B65-H5752-00	.SENDER UNIT ASSY, FUEL METER	1				
7	54P-F414G-10	SEAL	1				
8	2DP-F4491-00	BRACKET, FUEL PUMP	1				
9	91312-05010	BOLT	4				
10	4YY-F4610-00	CAP ASSY	1				
11	4YY-F4612-00	.PACKING, CAP	1				
12	B65-F414A-00	COVER, FILLER	1				
13	B65-F419A-00	HOLDER	1				
14	91317-06016	BOLT,HEX.SOCKET HEAD	1				

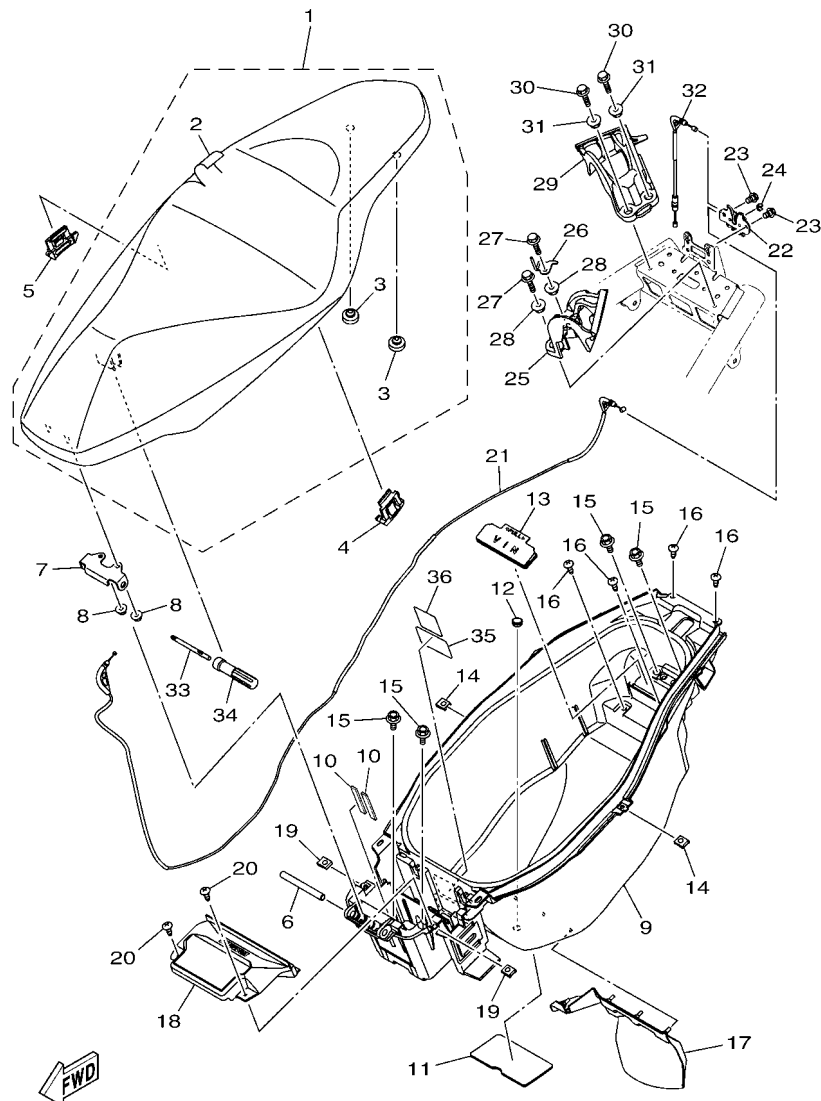




BG33440-S200

FIG. 20 SEAT

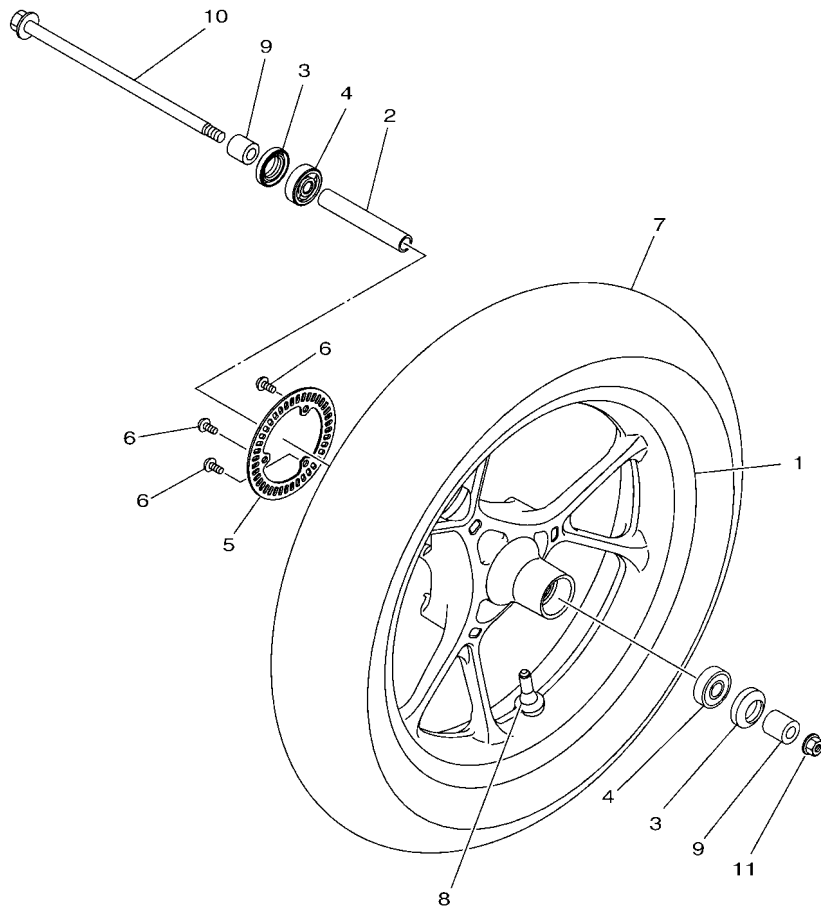
REF. NO.	PART NO.	DESCRIPTION	BG33				REMARKS
1	B65-F4730-00	DOUBLE SEAT ASSY	1				
2	B65-F470F-00	.SEAT COVER COMP.	1				
3	3C1-F4741-00	.PAD, SEAT	2				
4	B65-F476A-00	PLATE, GUIDE 1	1				
5	B65-F476E-00	PLATE, GUIDE 2	1				
6	2WB-F4727-00	PIN, SEAT FITTING	1				
7	B65-F4726-00	HINGE, SEAT	1				
8	95702-06500	NUT, FLANGE	2				
9	B65-F473R-10	BOX 1	1				
10	90520-04806	DAMPER, PLATE	2				
11	B63-F4737-00	DAMPER, SEAT	1				
12	4US-F6199-00	PLUG, BLIND	1				
13	B65-F384L-00	COVER, DUST	1				
14	90183-05807	NUT, SPRING	2				
15	90109-06220	BOLT	4				
16	97707-50016	SCREW, TRUSS HEAD TAPPING	4				
17	B65-F1621-00	FLAP	1				
18	B65-H2129-00	COVER, BATTERY	1				
19	90183-05807	NUT, SPRING	2				
20	97707-50016	SCREW, TRUSS HEAD TAPPING	2				
21	B65-F478E-00	CABLE, SEAT LOCK	1				
22	B65-F4780-00	SEAT LOCK ASSY	1				
23	95022-06010	BOLT, FLANGE	2				
24	1S8-F4768-00	STOPPER	1				
25	B65-F474A-00	ASSIST, GRIP	1				
26	B65-F472J-00	GUIDE	1				
27	95D32-06025	BOLT, FLANGE DEEP RECESS	2				



BG33440-S200

FIG. 20 SEAT

REF. NO.	PART NO.	DESCRIPTION	BG33				REMARKS
28	90387-08840	COLLAR	2				
29	B65-F474W-00	ASSIST,GRIP 2	1				
30	95D32-06025	BOLT, FLANGE DEEP RECESS	2				
31	90387-08840	COLLAR	2				
32	B65-F479D-00	WIRE, SEAT LOCK 2	1				
33	1DY-F8153-00	DRIVER PLUS	1				
34	5LM-F8151-00	GRIP, DRIVER	1				
35	B17-F1668-00	LABEL, TIRE	1				
36	BG3-F811T-00	LABEL, UNR EC	1				

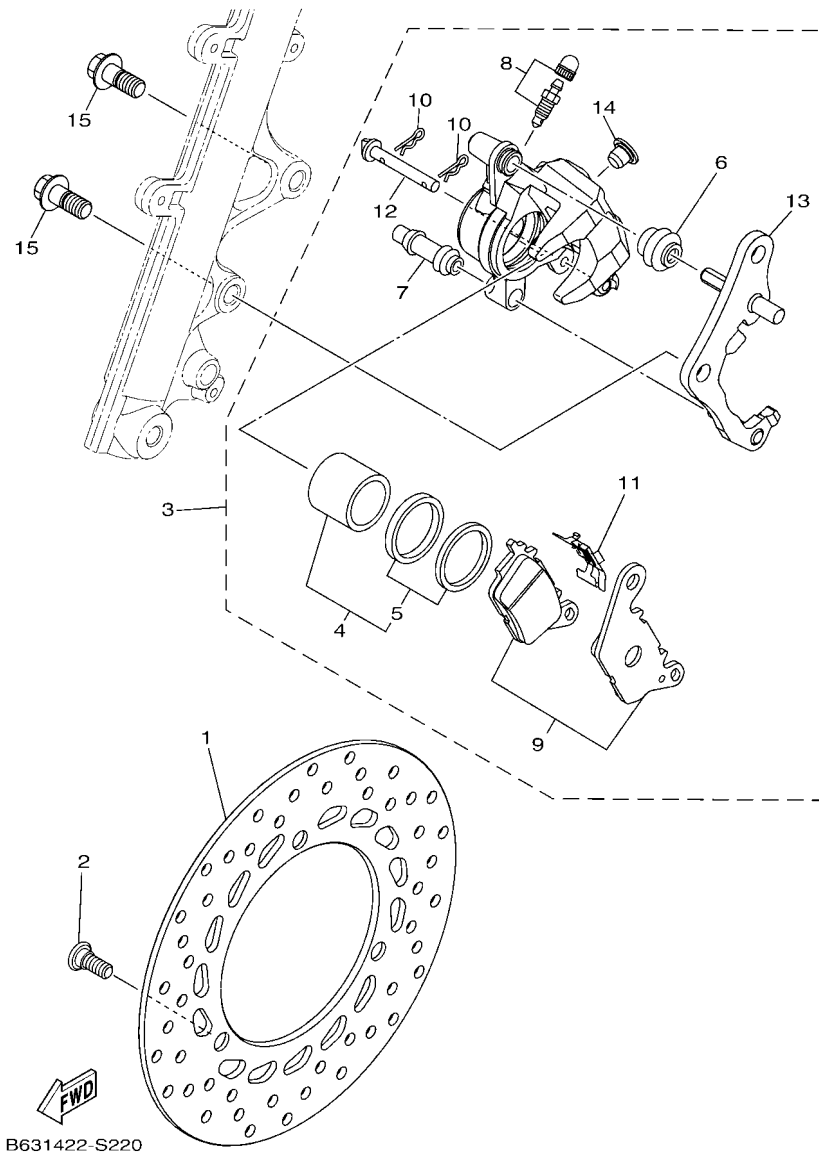


**FIG. 21 FRONT WHEEL**

REF. NO.	PART NO.	DESCRIPTION	EG33				REMARKS
1	B65-F5168-00-33	CAST WHEEL, FRONT	1				FOR YB,MDRM3
	B65-F5168-00-P0	CAST WHEEL, FRONT	1				DPBM15 FOR DPBMC
2	90387-10848	COLLAR	1				
3	93106-20816	OIL SEAL	2				
4	93306-300YF	BEARING	2				
5	2DP-F517G-00	ROTOR, SENSOR	1				
6	90149-05030	SCREW	3				
7	94111-14804	TIRE (110/80-14 M/C 53P)	1				INOUE
8	93900-00828	VALVE, RIM	1				
9	90387-10277	COLLAR	2				
10	B65-F5181-00	AXLE, WHEEL	1				
11	95602-10200	NUT, S/L FLANGE	1				

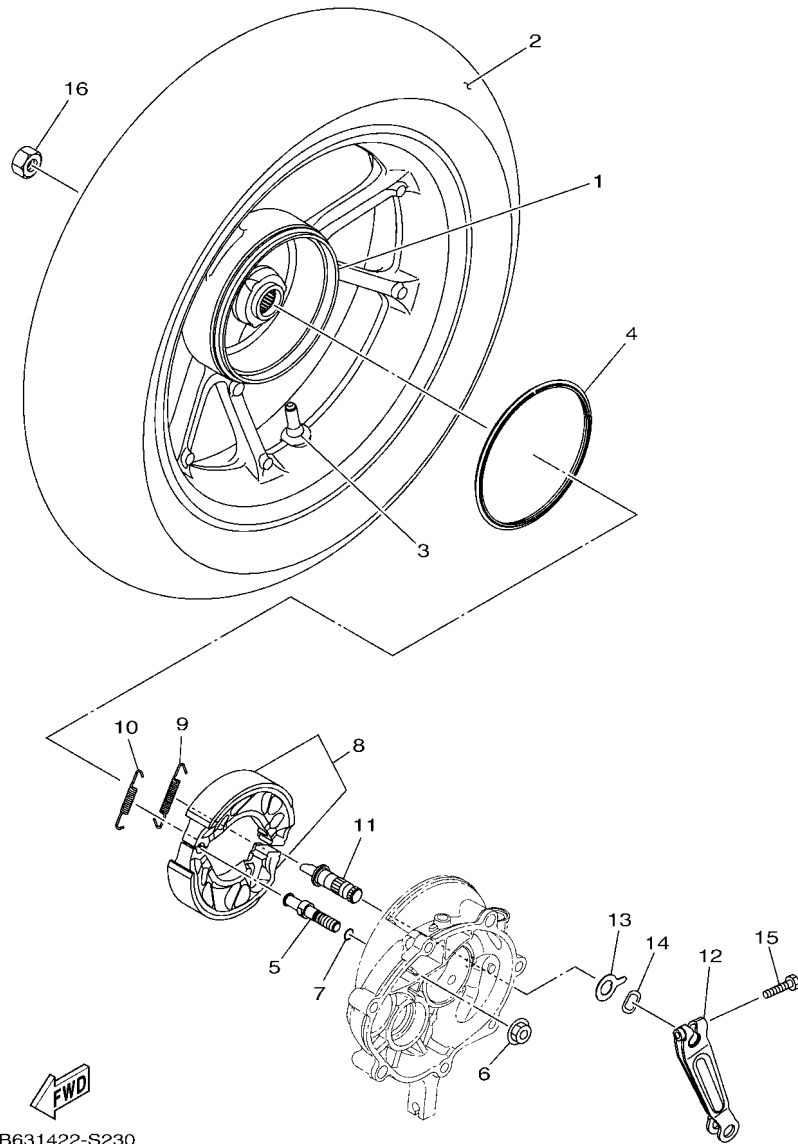


B631422-S210



**FIG. 22 FRONT BRAKE CALIPER**

REF. NO.	PART NO.	DESCRIPTION	EG33				REMARKS
1	2DP-F582U-00	DISK, BRAKE (RIGHT)	1				
2	90109-08232	BOLT	3				
3	B63-F580U-00	CALIPER ASSY (RIGHT)	1				
4	2BM-F5802-00	.PISTON ASSY, CALIPER	1				
5	5YP-F5803-50	.CALIPER SEAL KIT	1				
6	2BM-F5917-00	.BOOT, CALIPER	1				
7	5YP-F5937-00	.BOOT 2	1				
8	4C9-W0048-00	.BLEED SCREW KIT	1				
9	B63-F5805-00	.BRAKE PAD KIT	1				
10	5YP-F5925-01	.CLIP	2				
11	2BM-F5919-00	.SUPPORT, PAD	1				
12	5YP-F5924-00	.PIN, PAD	1				
13	2DP-F5920-00	.SUPT. BRKT. ASSY.	1				
14	2R6-F5916-00	.PLUG	1				
15	90105-10831	BOLT, FLANGE	2				

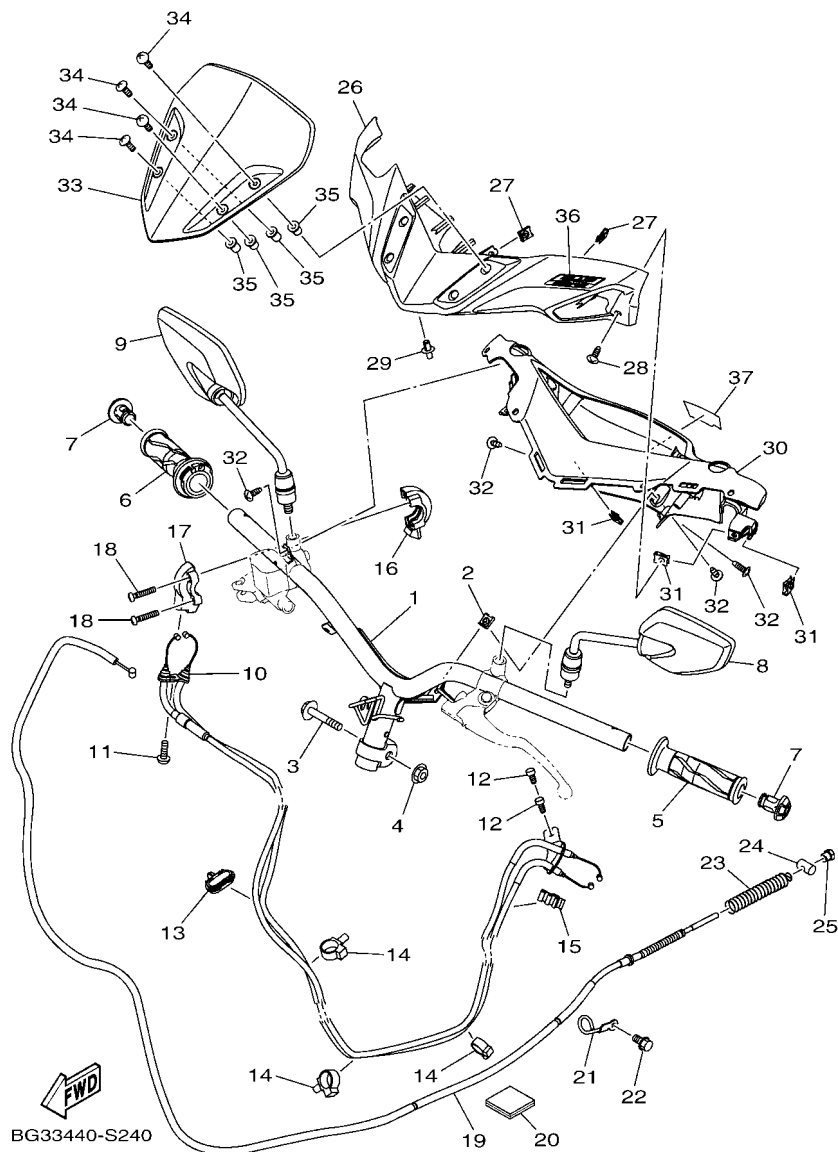


B631422-S230

FIG. 23 REAR WHEEL

REF. NO.	PART NO.	DESCRIPTION	EG33				REMARKS
1	B65-F5338-00-33	CAST WHEEL, REAR	1				FOR YB,MDRM3
	B65-F5338-00-P0	CAST WHEEL, REAR	1				DPBM15 FOR DPBMC
2	94114-14801	TIRE (140/70-14 M/C 62P)	1				INOUE
3	93900-00828	VALVE, RIM	1				
4	B65-F5336-00	RING 2	1				
5	54P-F5326-00	PIN, PIVOT	1				
6	95702-10500	NUT, FLANGE	1				
7	93210-07802	O-RING	1				
8	5BP-F530K-20	BRAKE SHOE SET	1				
9	90506-12001	SPRING, TENSION	1				
10	90506-15001	SPRING, TENSION	1				
11	B65-F5351-00	CAMSHAFT	1				
12	B65-F5355-00	LEVER, CAMSHAFT	1				
13	5LW-F533A-00	PLATE, INDICATOR	1				
14	90206-14093	WASHER, WAVE	1				
15	90101-06046	BOLT	1				
16	90185-16800	NUT, SELF-LOCKING	1				

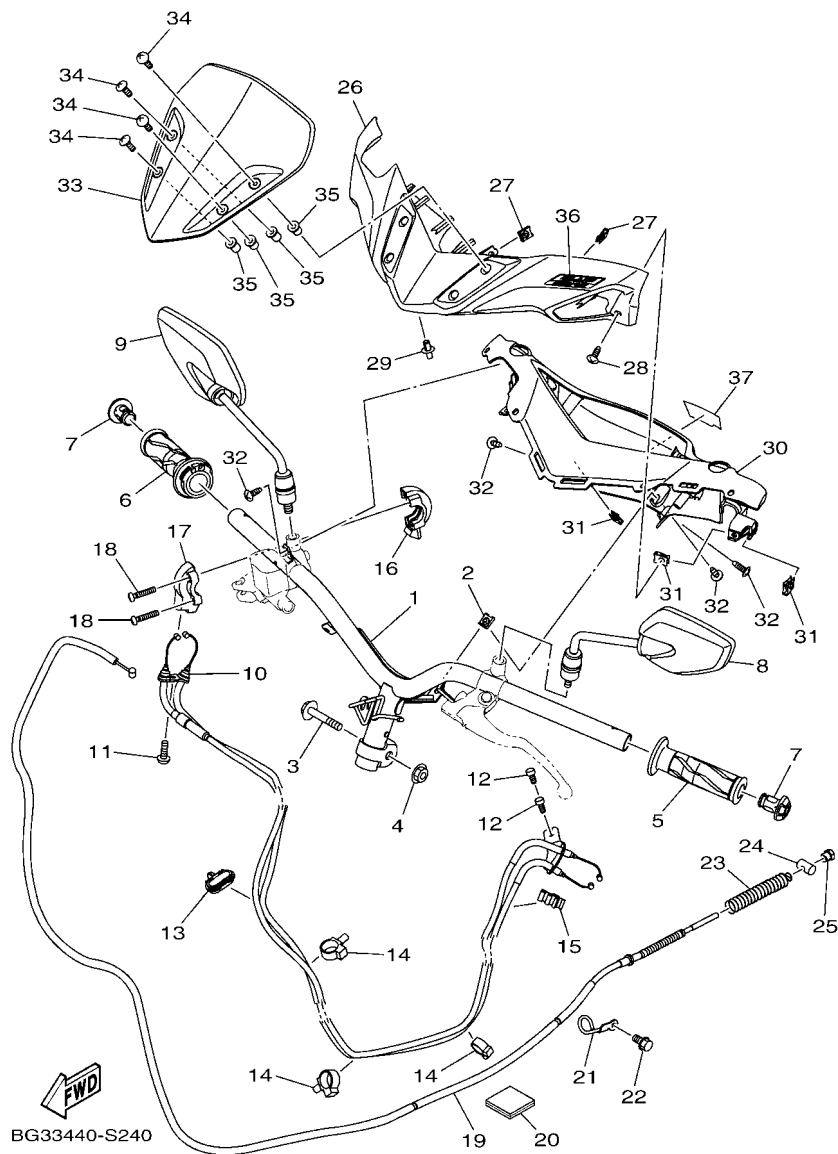
**FIG. 24 STEERING HANDLE & CABLE**



BG33440-S240

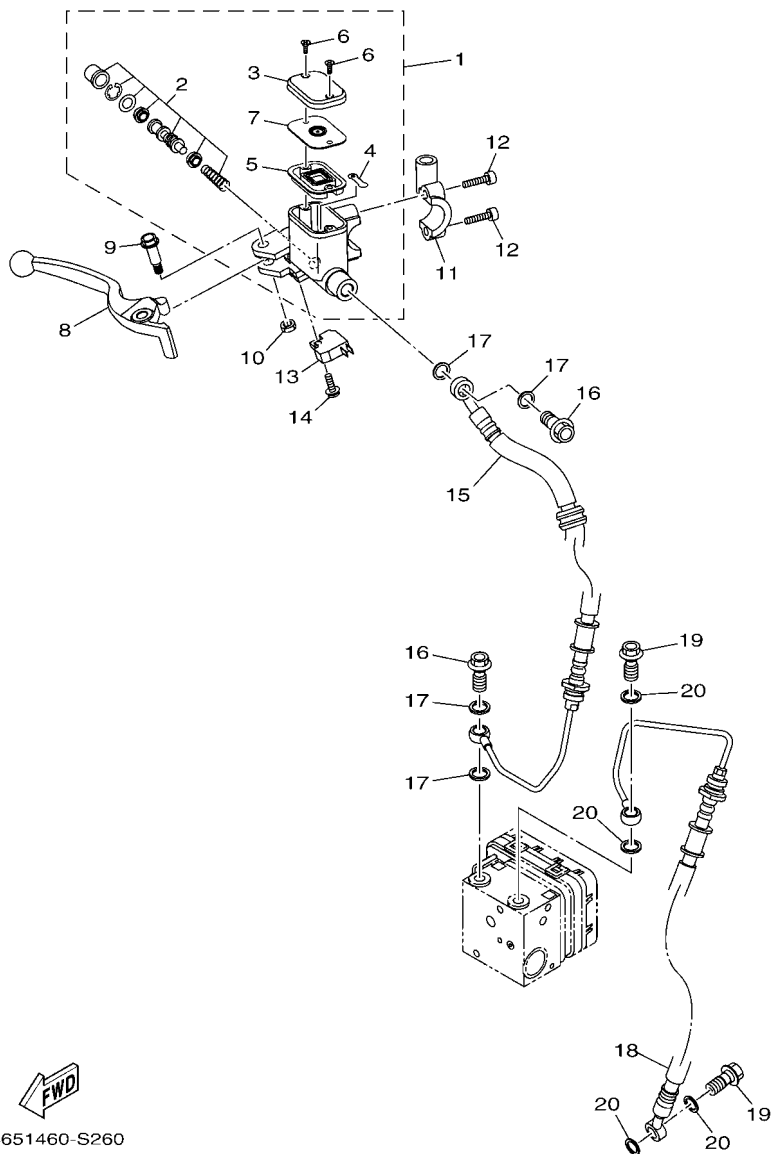
REF. NO.	PART NO.	DESCRIPTION	BG33				REMARKS
1	B65-F6110-00	HANDLE COMP.	1				
2	90183-05807	NUT, SPRING	1				
3	90105-10896	BOLT, FLANGE	1				
4	90185-10011	NUT, SELF-LOCKING	1				
5	1VP-F6241-00	GRIP	1				
6	B92-F6240-00	GRIP ASSY	1				
7	B92-F6246-00	END, GRIP	2				
8	2DP-F6280-00	REAR VIEW MIRROR ASSY (LEFT)	1				
9	2DP-F6290-00	REAR VIEW MIRROR ASSY (RIGHT)	1				
10	B65-F6301-00	THROTTLE CABLE ASSY	1				
11	92012-05016	BOLT, BUTTON HEAD	1				
12	91312-05010	BOLT	2				
13	90464-10802	CLAMP	1				
14	90464-16006	CLAMP	3				
15	90464-07807	CLAMP	1				
16	54P-F6281-01	CAP, GRIP UPPER	1				
17	54P-F6282-00	CAP, GRIP UNDER	1				
18	98502-05025	SCREW, PAN HEAD	2				
19	B65-F6351-00	CABLE, BRAKE	1				
20	BG3-F7485-00	SEAL	1				
21	B65-F637G-00	HOLDER, WIRE	1				
22	95022-06012	BOLT, FLANGE	1				
23	90501-16804	SPRING, COMPRESSION	1				
24	90249-12008	PIN	1				
25	90179-06835	NUT	1				
26	B65-F6143-00	COVER, HANDLE UPPER 1	1				
27	90183-05807	NUT, SPRING	2				

**FIG. 24 STEERING HANDLE & CABLE**



REF. NO.	PART NO.	DESCRIPTION	BG33	REMARKS
28	97707-50016	SCREW, TRUSS HEAD TAPPING	1	
29	90269-06816	RIVET	1	
30	BG3-F6145-00-33	COVER, HANDLE UPPER 2	1	UR FOR YB
	BG3-F6145-00-P0	COVER, HANDLE UPPER 2	1	UR FOR MDRM3
	BG3-F6145-00-P1	COVER, HANDLE UPPER 2	1	UR FOR DPBMC
31	90183-05807	NUT, SPRING	3	
32	97707-50016	SCREW, TRUSS HEAD TAPPING	4	
33	B65-F61AA-00	VISOR	1	
34	90150-05023	SCREW, ROUND HEAD	4	
35	90179-05849	NUT	4	
36	B92-F1737-00	EMBLEM	1	
37	BG3-F60C1-00	EMBLEM 1	1	UR FOR YB
	BG3-F60C1-10	EMBLEM 1	1	UR FOR MDRM3
	BG3-F60C1-20	EMBLEM 1	1	UR FOR DPBMC

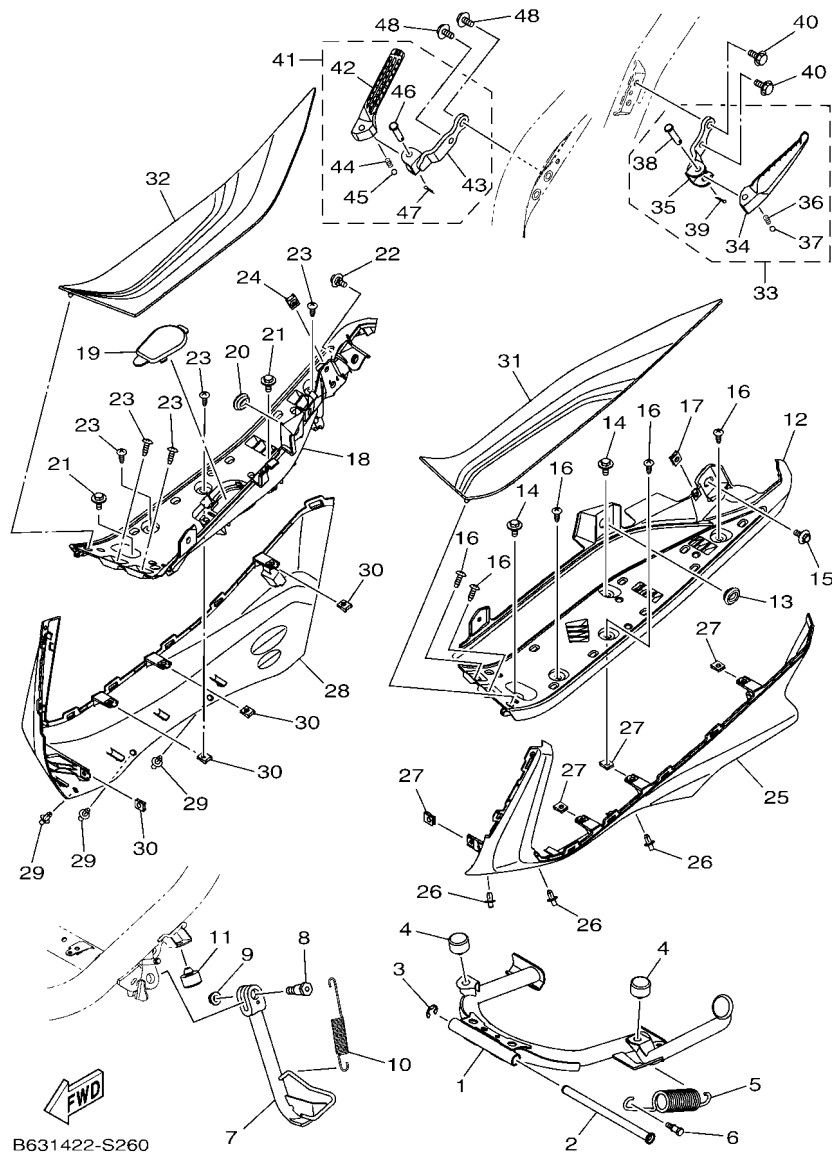
**FIG. 25 FRONT MASTER CYLINDER**



B651460-S260

REF. NO.	PART NO.	DESCRIPTION	BC33				REMARKS
1	B63-F5870-00	MASTER CYLINDER SUB ASSY	1				
2	1WD-F5807-00	.CYLINDER KIT, MASTER	1				
3	B63-F5852-00	.CAP, RESERVOIR	1				
4	3RW-25889-00	.SEPARATOR	1				
5	2ND-F5854-00	.DIAPHRAGM, RESERVOIR	1				
6	36Y-2589H-00	.SCREW	2				
7	2ND-F5855-00	.BUSH,DIAPHRAGM	1				
8	2PV-H3922-00	LEVER 2	1				
9	90109-06577	BOLT	1				
10	95602-06100	NUT, S/L	1				
11	5TL-F5867-11	BRACKET,MASTER CYLINDER(BLACK)	1				
12	91317-06025	BOLT,HEX.SOCKET HEAD	2				
13	2DP-H3980-00	FRONT STOP SWITCH ASSY	1				
14	97602-04312	SCREW, PAN HEAD WITH WASHER	1				
15	B65-F5873-00	HOSE, BRAKE 2	1				
16	90401-10812	BOLT, UNION	2				
17	90201-10118	WASHER, PLATE	4				
18	B65-F5874-00	HOSE, BRAKE	1				
19	90401-10812	BOLT, UNION	2				
20	90201-10118	WASHER, PLATE	4				

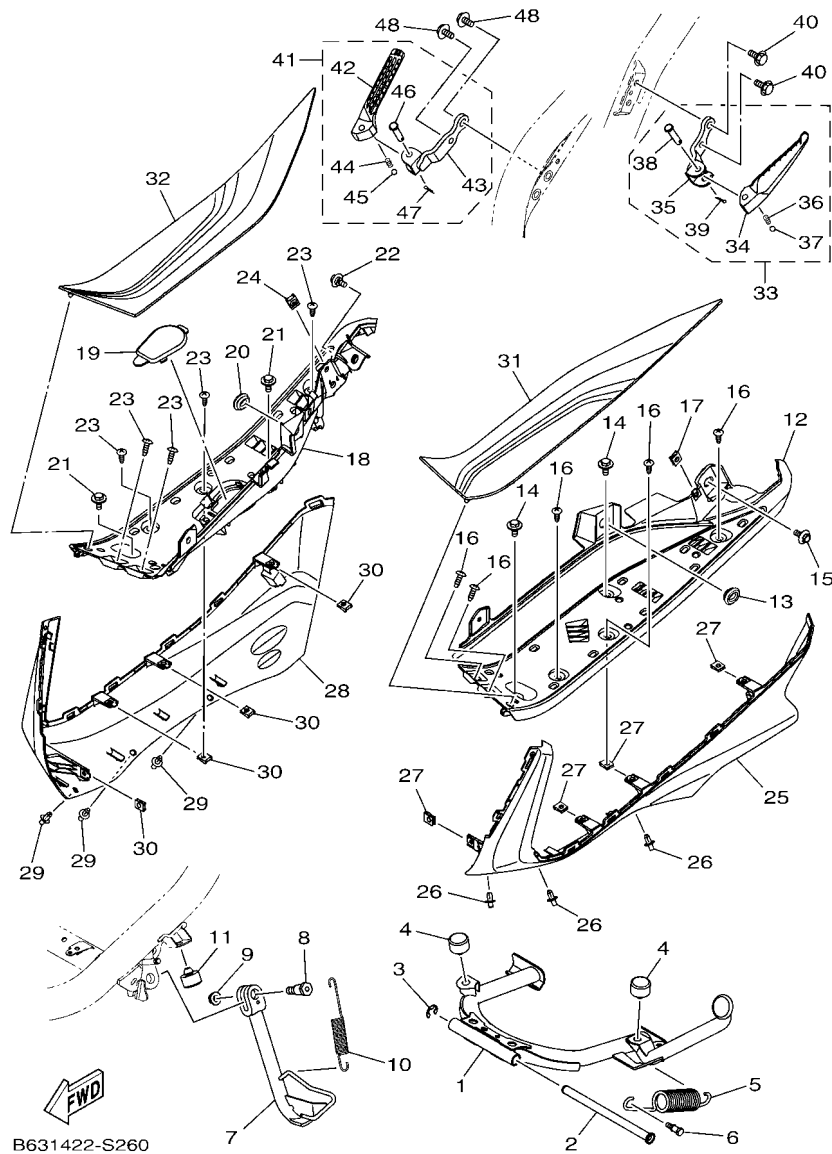




B631422-S260

**FIG. 26 STAND & FOOTREST**

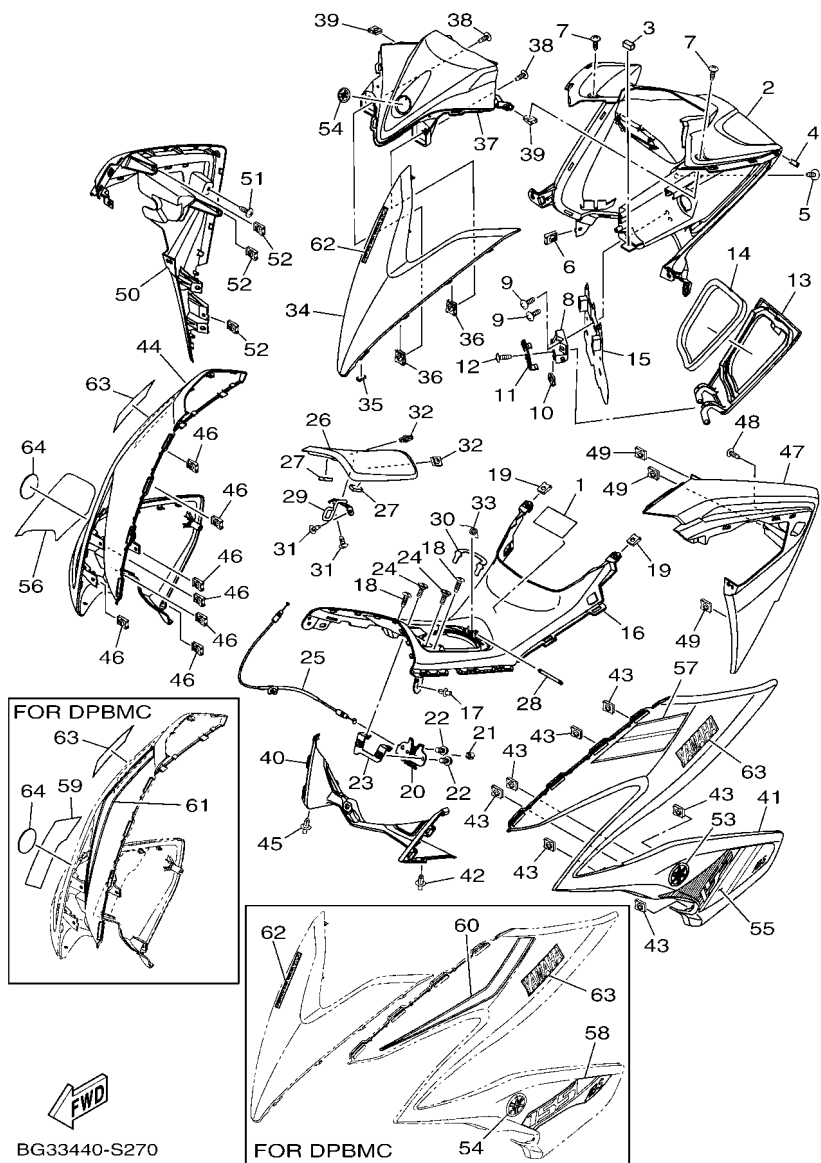
REF. NO.	PART NO.	DESCRIPTION	EG33				REMARKS
1	B65-F7111-00	STAND, MAIN	1				
2	2PH-F7112-00	SHAFT, MAIN STAND	1				
3	99002-09600	CIRCLIP	1				
4	5VW-F7214-00	STOPPER	2				
5	90506-40804	SPRING, TENSION	1				
6	5LW-F7254-00	HOOK	1				
7	B65-F7311-00	STAND, SIDE	1				
8	B65-F7217-00	BOLT	1				
9	95602-10200	NUT, S/L FLANGE	1				
10	90506-20818	SPRING, TENSION	1				
11	5VW-F7214-00	STOPPER	1				
12	B65-F7481-00	BOARD, FOOTREST	1				
13	90480-01559	GROMMET	1				
14	90119-06044	BOLT, WITH WASHER	2				
15	90109-06220	BOLT	1				
16	97707-50016	SCREW, TRUSS HEAD TAPPING	5				
17	90183-05807	NUT, SPRING	1				
18	B65-F7488-00	BOARD, FOOTREST 2	1				
19	2DP-F172W-00	COVER	1				
20	90480-01559	GROMMET	1				
21	90119-06044	BOLT, WITH WASHER	2				
22	90109-06220	BOLT	1				
23	97707-50016	SCREW, TRUSS HEAD TAPPING	5				
24	90183-05807	NUT, SPRING	1				
25	B65-F171L-00	MOLE, SIDE COVER 1	1				
26	90269-06816	RIVET	3				
27	90183-05807	NUT, SPRING	4				



**FIG. 26 STAND & FOOTREST**

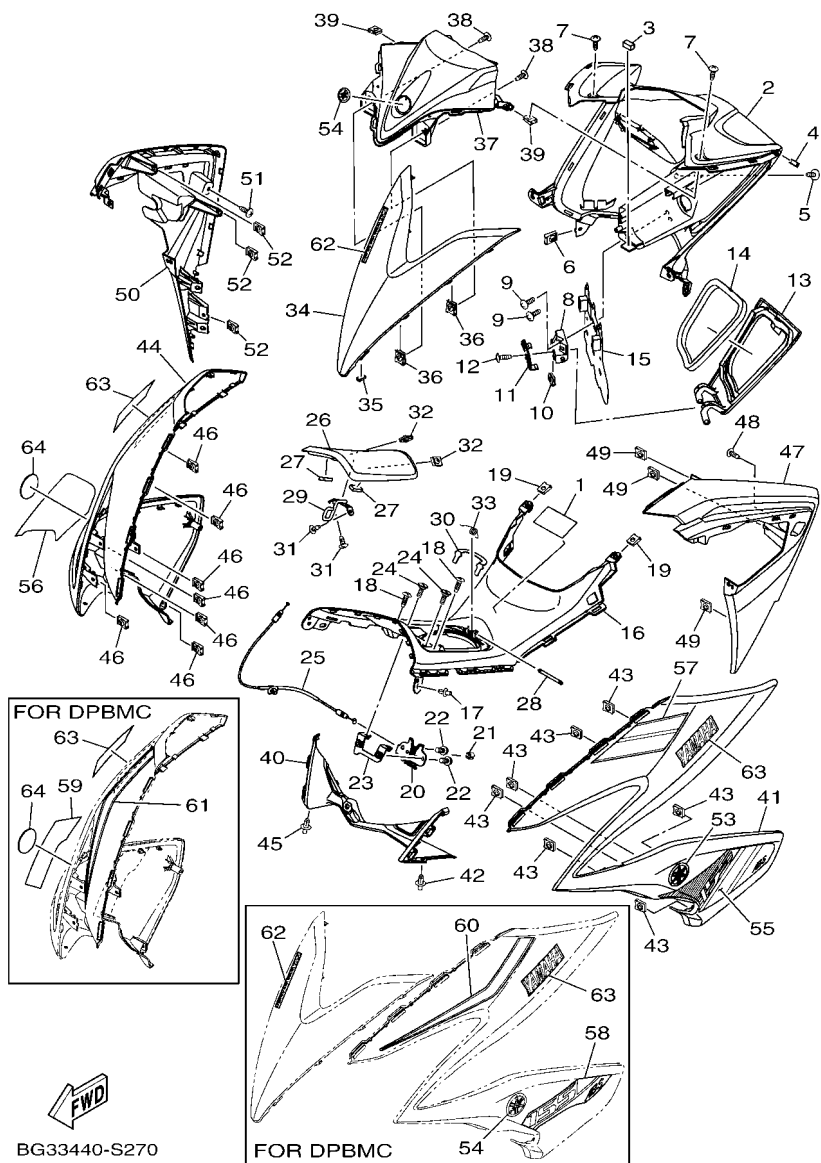
REF. NO.	PART NO.	DESCRIPTION	EG33				REMARKS
28	B65-F171M-00	MOLE, SIDE COVER 2	1				
29	90269-06816	RIVET	3				
30	90183-05807	NUT, SPRING	4				
31	B65-F7483-00	MAT 1	1				
32	B65-F7484-00	MAT 2	1				
33	B65-F7430-00	REAR FOOTREST ASSY 1	1				
34	B65-F7431-00	.FOOTREST, REAR 1	1				
35	B65-F7452-00	.BRACKET, FOOTREST 1	1				
36	90501-12743	.SPRING, COMPRESSION	1				
37	93501-04830	.BALL	1				
38	91701-08035	.PIN	1				
39	91401-25015	.PIN, COTTER	1				
40	95D32-08020	BOLT, FLANGE DEEP RECESS	2				
41	B65-F7440-00	REAR FOOTREST ASSY 2	1				
42	B65-F7441-00	.FOOTREST, REAR 2	1				
43	B65-F7462-00	.BRACKET, FOOTREST 2	1				
44	90501-12743	.SPRING, COMPRESSION	1				
45	93501-04830	.BALL	1				
46	91701-08035	.PIN	1				
47	91401-25015	.PIN, COTTER	1				
48	95D32-08020	BOLT, FLANGE DEEP RECESS	2				

**FIG. 27 LEG SHIELD**



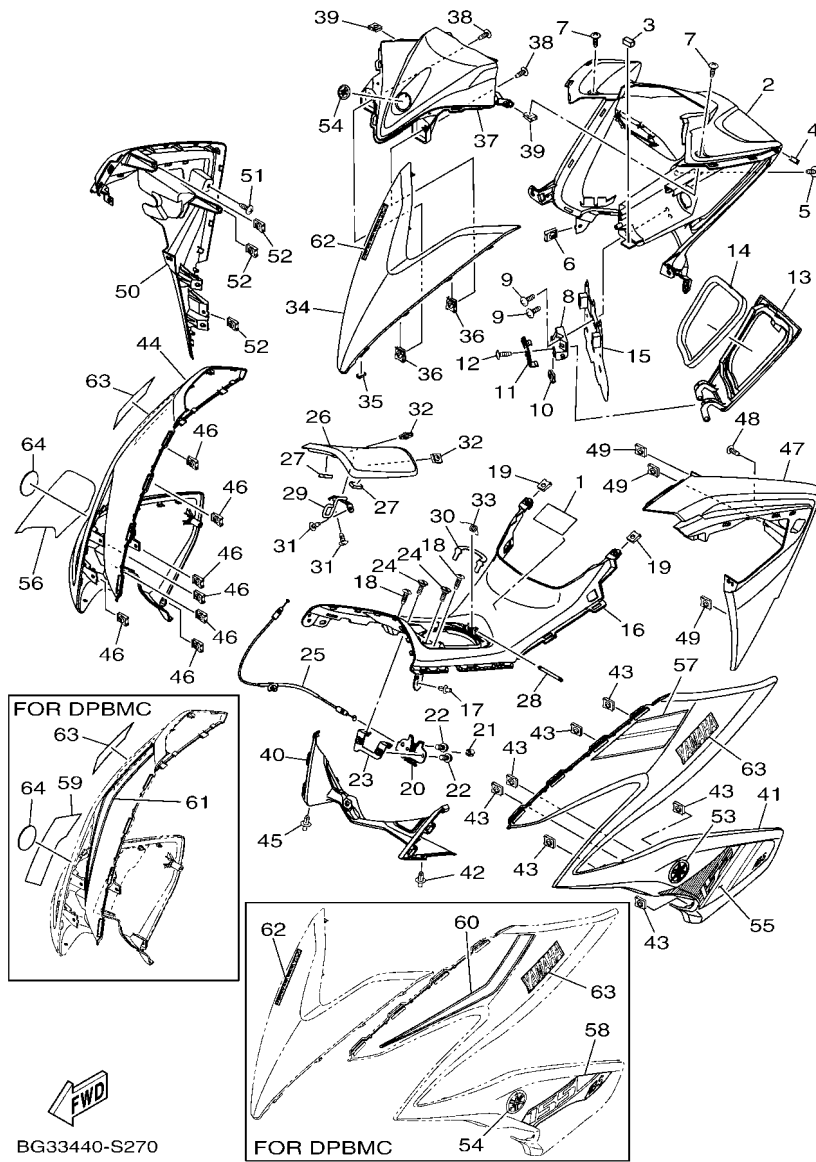
REF. NO.	PART NO.	DESCRIPTION	BG33	REMARKS
1	BG3-F1568-00	LABEL, WARNING	1	
2	B65-F8311-00	LEG SHIELD 1	1	
3	90520-10839	DAMPER, PLATE	1	
4	4HC-24618-00	PLATE, LOCK 3	1	
5	90159-06810	SCREW, WITH WASHER	1	
6	90183-05807	NUT, SPRING	1	
7	97707-50016	SCREW, TRUSS HEAD TAPPING	2	
8	B65-F8321-00	STAY 1	1	
9	90160-05012	SCREW, ROUND TAPPING	2	
10	90183-05807	NUT, SPRING	1	
11	B65-F1796-00	HINGE	1	
12	97707-50016	SCREW, TRUSS HEAD TAPPING	1	
13	B65-F177E-00	LID	1	
14	90520-03831	DAMPER, PLATE	1	
15	B65-F179E-00	BAND	1	
16	B65-F842M-00	COVER 1	1	
17	90269-06816	RIVET	1	
18	97707-50016	SCREW, TRUSS HEAD TAPPING	2	
19	90183-05807	NUT, SPRING	2	
20	40D-F4780-01	SEAT LOCK ASSY	1	
21	1S8-F4768-00	STOPPER	1	
22	95022-06012	BOLT, FLANGE	2	
23	B65-F8357-00	STAY 2	1	
24	90149-05804	SCREW	2	
25	B65-F4494-00	WIRE, PULL	1	
26	B65-F74A8-00	LID, FUEL	1	
27	90520-06810	DAMPER, PLATE	2	

FIG. 27 LEG SHIELD



REF. NO.	PART NO.	DESCRIPTION	BG33	REMARKS
28	B65-F818A-00	PIN	1	
29	B65-F131C-00	BAR LOCK	1	
30	B65-F8227-00	DAMPER 2	1	
31	97707-50012	SCREW, TRUSS HEAD TAPPING	2	
32	90183-05807	NUT, SPRING	2	
33	B65-F7426-00	SPRING, RETURN	1	
34	BG3-F2865-00-P0	COVER, FRONT	1	MBL2 FOR YB,MDRM3
	BG3-F2865-00-35	COVER, FRONT	1	SL FOR DPBMC
35	90520-02005	DAMPER, PLATE	1	
36	90183-05807	NUT, SPRING	2	
37	B65-F842N-00	COVER 2	1	
38	97707-50016	SCREW, TRUSS HEAD TAPPING	2	
39	90183-05807	NUT, SPRING	2	
40	B65-F286F-00	COVER, FRONT 2	1	
41	BG3-F8351-00-33	BODY, COWLING	1	UR FOR YB
	BG3-F8351-00-P0	BODY, COWLING	1	UR FOR MDRM3
	BG3-F8351-00-P1	BODY, COWLING	1	UR FOR DPBMC
42	90269-06816	RIVET	1	
43	90183-05807	NUT, SPRING	7	
44	BG3-F8377-00-33	BODY, COWLING 2	1	UR FOR YB
	BG3-F8377-00-P0	BODY, COWLING 2	1	UR FOR MDRM3
	BG3-F8377-00-P1	BODY, COWLING 2	1	UR FOR DPBMC
45	90269-06816	RIVET	1	
46	90183-05807	NUT, SPRING	7	
47	B65-F835U-00	PANEL 1	1	
48	97707-50016	SCREW, TRUSS HEAD TAPPING	1	
49	90183-05807	NUT, SPRING	3	

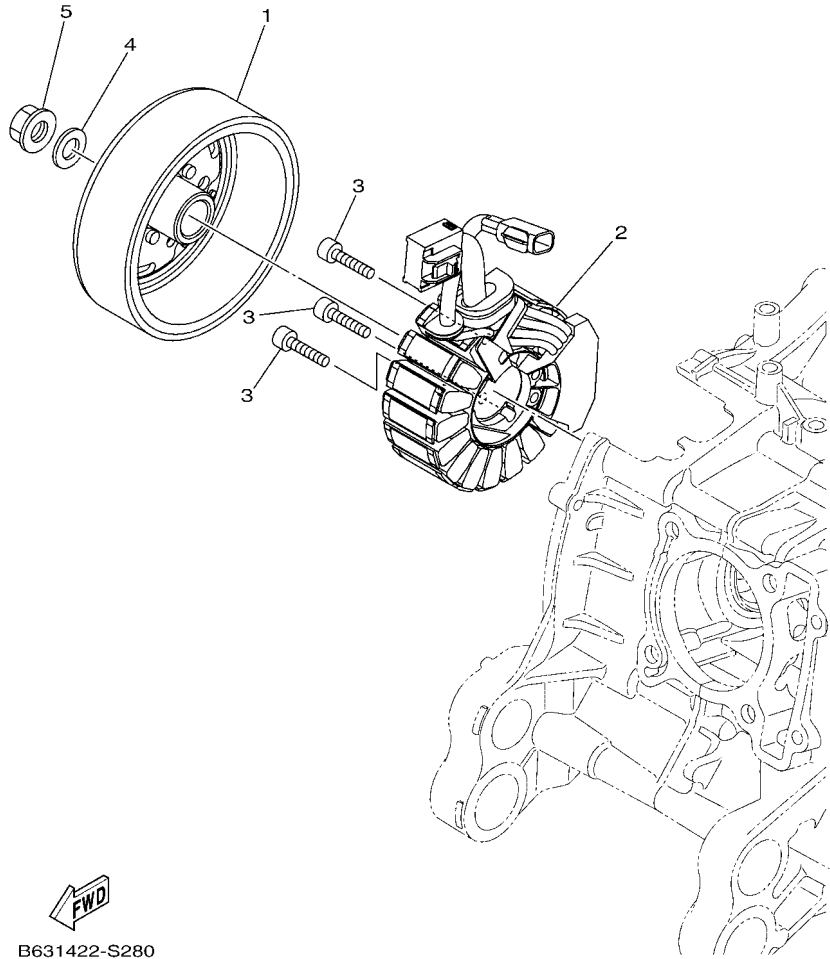
**FIG. 27 LEG SHIELD**



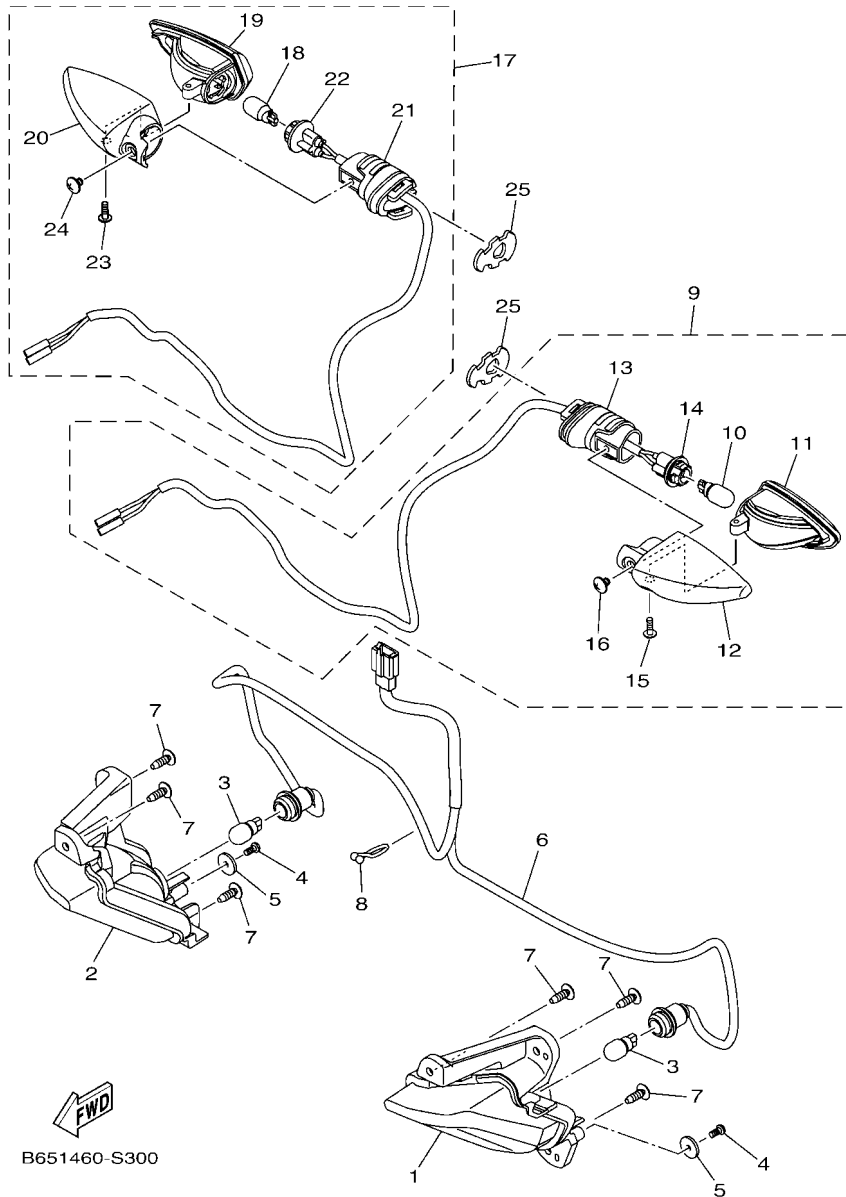
REF. NO.	PART NO.	DESCRIPTION	BG33			REMARKS
50	B65-F835V-00	PANEL 2	1			
51	97707-50016	SCREW, TRUSS HEAD TAPPING	1			
52	90183-05807	NUT, SPRING	3			
53	5P2-F839B-00	EMBLEM 3D	1			
54	5P2-F1737-00	EMBLEM	1			
55	BG3-F8391-00	GRAPHIC 1	1			UR FOR YB
	BG3-F8391-10	GRAPHIC 1	1			UR FOR MDRM3
56	BG3-F8392-00	GRAPHIC 2	1			UR FOR YB
	BG3-F8392-10	GRAPHIC 2	1			UR FOR MDRM3
57	BG3-F8393-00	GRAPHIC 3	1			UR FOR YB
	BG3-F8393-10	GRAPHIC 3	1			UR FOR MDRM3
58	BG3-F8398-00	GRAPHIC 5	1			FOR DPBMC
59	BG3-F8399-00	GRAPHIC 6	1			FOR DPBMC
60	BG3-F839A-00	GRAPHIC 7	1			FOR DPBMC
61	BG3-F839E-00	GRAPHIC 8	1			FOR DPBMC
62	BG3-F8315-00	EMBLEM	1			UR FOR YB
	BG3-F8315-10	EMBLEM	1			UR FOR MDRM3
	BG3-F8315-20	EMBLEM	1			UR FOR DPBMC
63	99236-00080	EMBLEM, YAMAHA	2			UR FOR YB
	99234-00080	EMBLEM, YAMAHA	2			UR FOR MDRM3
	99231-00080	EMBLEM, YAMAHA	2			UR FOR DPBMC
64	5P2-F839B-00	EMBLEM 3D	1			

FIG. 28 GENERATOR

REF. NO.	PART NO.	DESCRIPTION	EG33				REMARKS
1	B63-H1450-00	ROTOR ASSY	1				
2	B63-H1410-00	STATOR ASSY	1				
3	90110-06880	BOLT, HEXAGON SOCKET HEAD	3				
4	90201-12688	WASHER, PLATE	1				
5	90179-12004	NUT	1				



B631422-S280



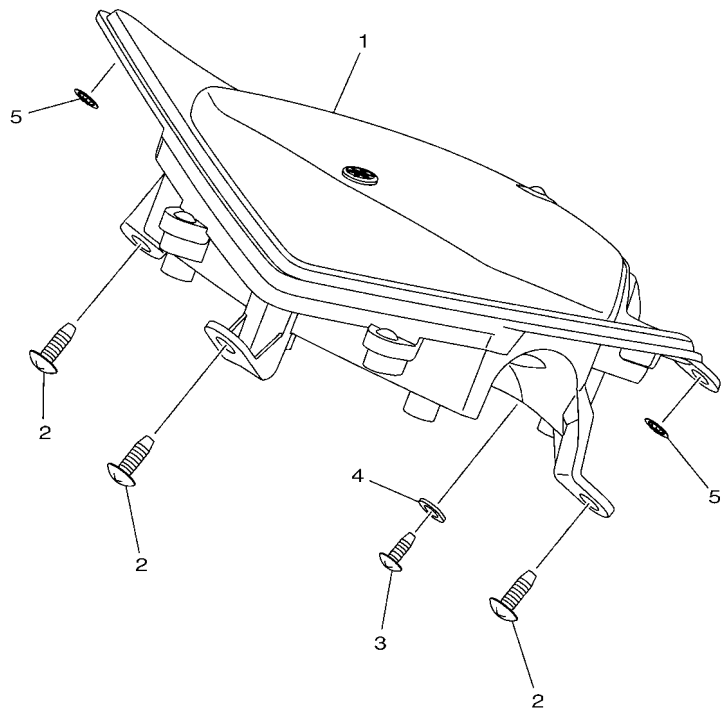
B651460-S300

**FIG. 29 FLASHER LIGHT**

REF. NO.	PART NO.	DESCRIPTION	BG33				REMARKS
1	B63-H3310-00	FRONT FLASHER LIGHT ASSY 1	1				
2	B63-H3320-00	FRONT FLASHER LIGHT ASSY 2	1				
3	2CB-H3311-00	BULB, FLASHER (12V-10W)	2				
4	97702-40612	SCREW, TAPPING	2				
5	1PB-H4127-00	WASHER, SPECIAL	2				
6	B63-H331E-00	CORD ASSY	1				
7	97707-50016	SCREW, TRUSS HEAD TAPPING	6				
8	90464-15804	CLAMP	1				
9	BG3-H3330-00	REAR FLASHER LIGHT ASSY 1	1				
10	55D-H3311-00	.BULB, FLASHER (12V-10W)	1				
11	55D-H333A-00	.LENS COMP 1	1				
12	55D-H3323-00	.BODY	1				
13	55D-H3328-00	.STAY, FLASHER 2	1				
14	BG3-H333E-00	.CORD ASSY	1				
15	55D-H3333-00	.SCREW, LENS FITTING	1				
16	55D-H3358-00	.SCREW, SPECIAL	1				
17	BG3-H3340-00	REAR FLASHER LIGHT ASSY 2	1				
18	55D-H3311-00	.BULB, FLASHER (12V-10W)	1				
19	55D-H334A-00	.LENS COMP 2	1				
20	55D-H332M-00	.BODY 2	1				
21	55D-H3328-00	.STAY, FLASHER 2	1				
22	BG3-H334E-00	.CORD ASSY	1				
23	55D-H3333-00	.SCREW, LENS FITTING	1				
24	55D-H3358-00	.SCREW, SPECIAL	1				
25	1VP-H3318-00	STAY, FLASHER 1	2				

**FIG. 30 METER**

REF. NO.	PART NO.	DESCRIPTION	EG33				REMARKS
1	B65-H3500-21	METER ASSY	1				
2	97702-50016	SCREW, TAPPING	3				
3	97707-40012	SCREW, TAPPING	1				
4	90201-04803	WASHER, PLATE	1				
5	90183-05801	NUT, SPRING	2				

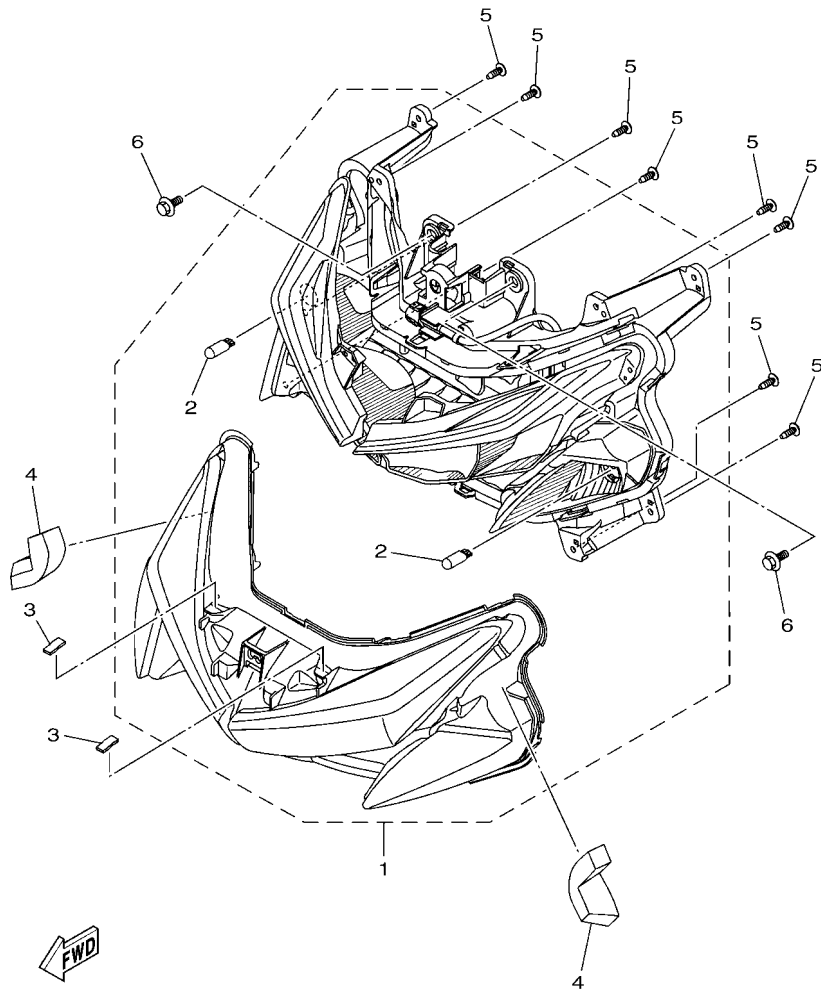


  
BF61431-S310



**FIG. 31 HEADLIGHT**

REF. NO.	PART NO.	DESCRIPTION	EG33	REMARKS
1	B63-H4300-00	HEADLIGHT ASSY	1	
2	31B-H5353-00	.BULB (12V-5W)	2	
3	90520-02014	DAMPER, PLATE	2	
4	1S7-F6113-00	DAMPER	2	
5	97707-50016	SCREW, TRUSS HEAD TAPPING	8	
6	90109-06220	BOLT	2	



B631422-S310

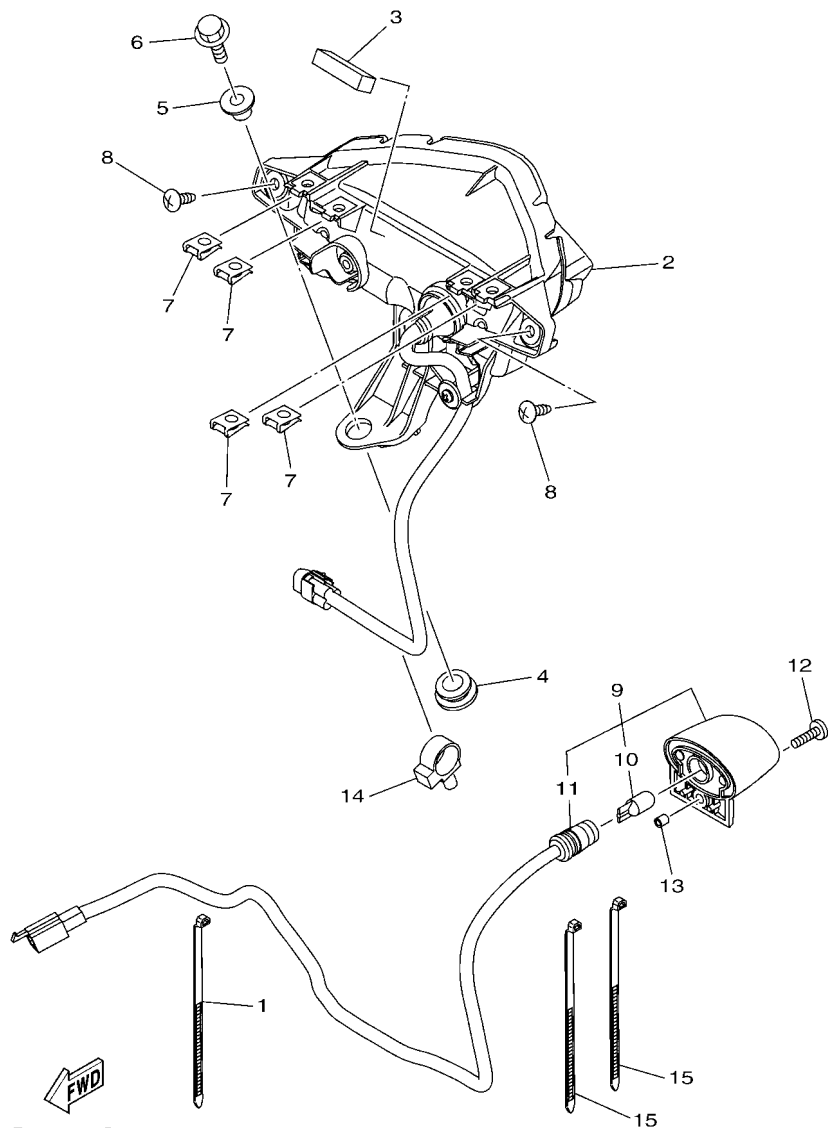
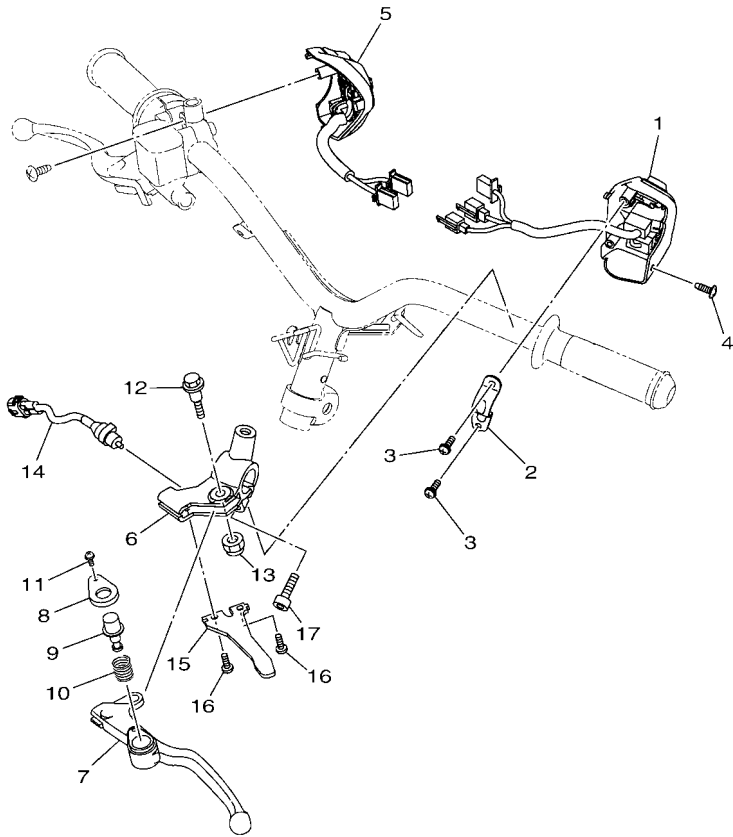


FIG. 32 TAILLIGHT

REF. NO.	PART NO.	DESCRIPTION	BG33				REMARKS
1	90464-50800	CLAMP	1				
2	B65-H4710-00	TAILLIGHT UNIT ASSY	1				
3	90520-10834	DAMPER, PLATE	1				
4	90480-14823	GROMMET	1				
5	90387-068G3	COLLAR	1				
6	95D32-06020	BOLT, FLANGE DEEP RECESS	1				
7	90183-05807	NUT, SPRING	4				
8	97707-50016	SCREW, TRUSS HEAD TAPPING	2				
9	B63-H4740-00	LICENCE LIGHT ASSY	1				
10	1CK-H4744-00	.BULB (12V-5W)	1				
11	1WD-H4547-00	.CORD, LICENCE LIGHT	1				
12	98907-04014	SCREW, BIND	1				
13	90445-05004	HOSE	1				
14	90464-16006	CLAMP	1				
15	90464-50800	CLAMP	2				

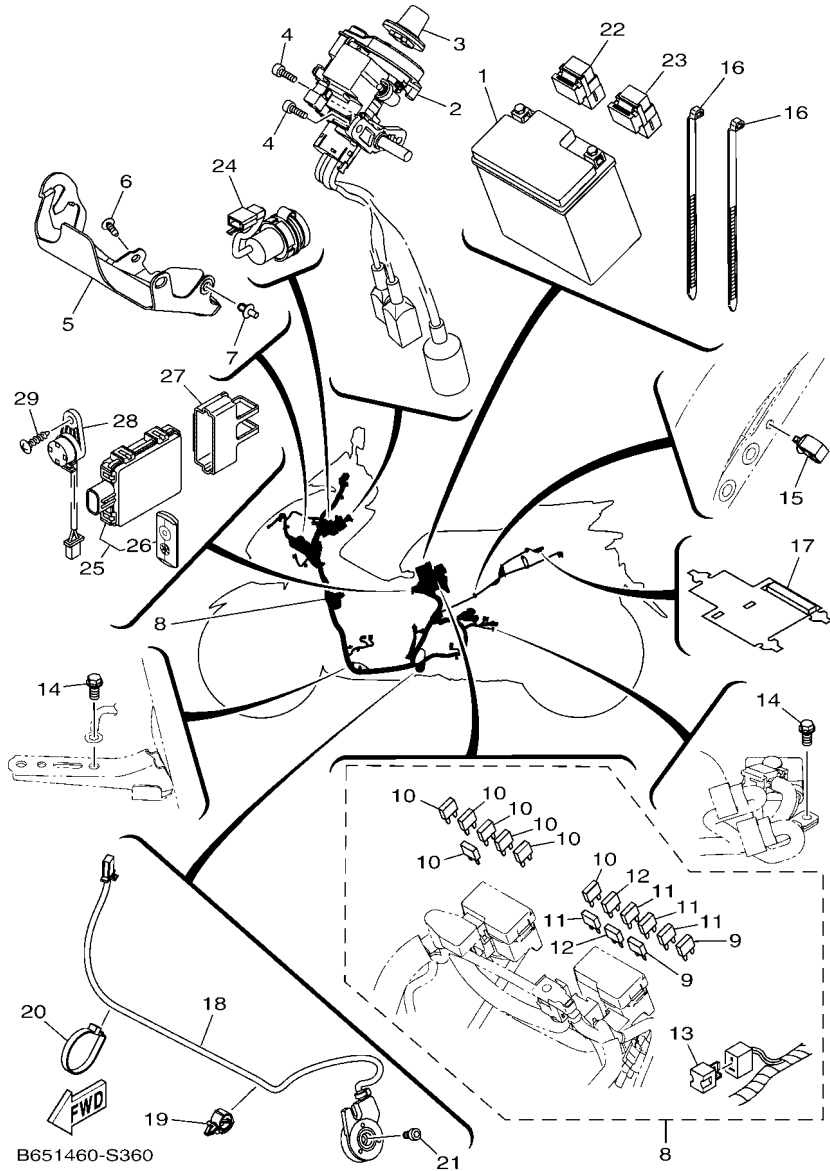


  
BG33440-S330

**FIG. 33 HANDLE SWITCH & LEVER**

REF. NO.	PART NO.	DESCRIPTION	BG33				REMARKS
1	B65-H3973-10	SWITCH, HANDLE 3	1				
2	5TL-H3955-20	BRACKET 1	1				
3	97602-05216	SCREW, PAN HEAD WITH WASHER	2				
4	97707-50016	SCREW, TRUSS HEAD TAPPING	1				
5	BN1-H3975-10	SWITCH, HANDLE 2	1				
6	1LB-H2911-10	HOLDER, LEVER 1	1				
7	1LB-H3912-00	LEVER 1	1				
8	1LB-H3935-00	COVER	1				
9	1LB-H3967-00	PIN, LOCK 1	1				
10	40D-H3962-00	SPRING	1				
11	40D-H396X-00	SCREW, LEVER FITTING	1				
12	90109-06814	BOLT	1				
13	95607-06100	NUT, U	1				
14	40D-H3980-20	FRONT STOP SWITCH ASSY	1				
15	1LB-H2556-00	DAMPER, STOPPER	1				
16	98502-05010	SCREW, PAN HEAD	2				
17	91317-06020	BOLT, HEX. SOCKET HEAD	1				

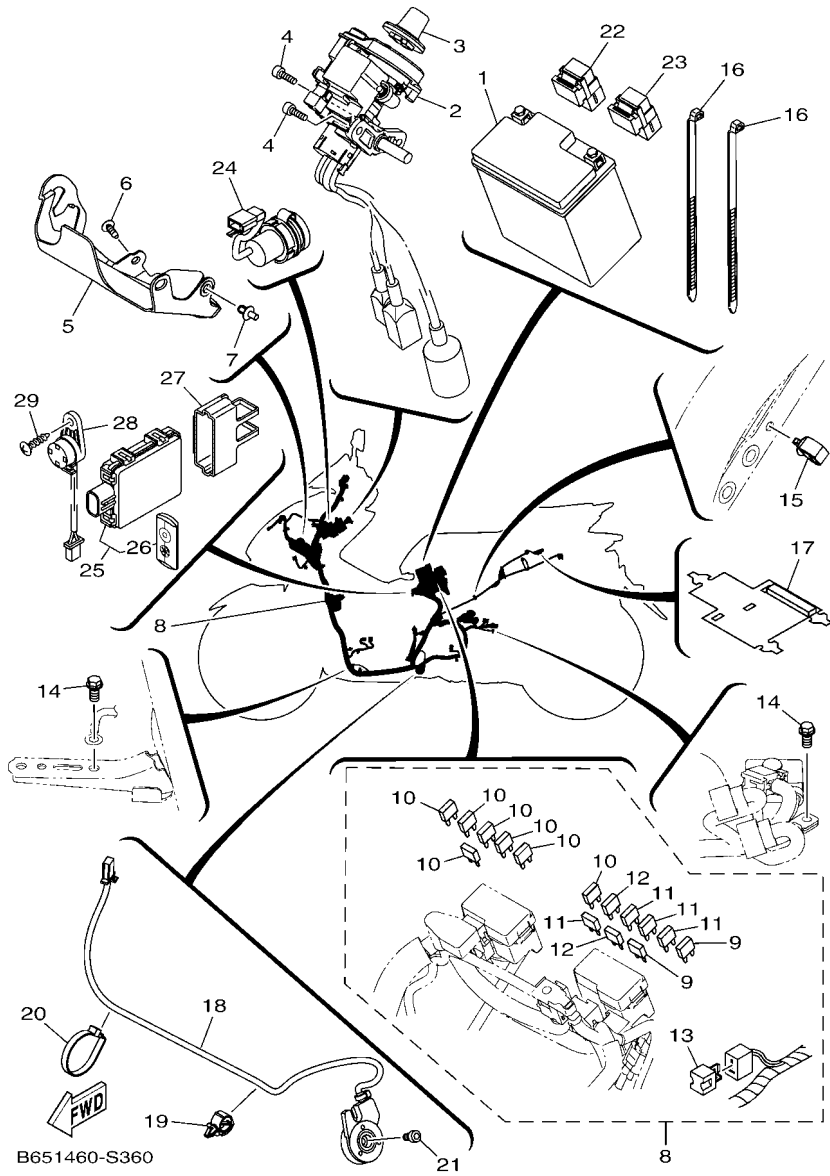
**FIG. 34 ELECTRICAL 1**



B651460-S360

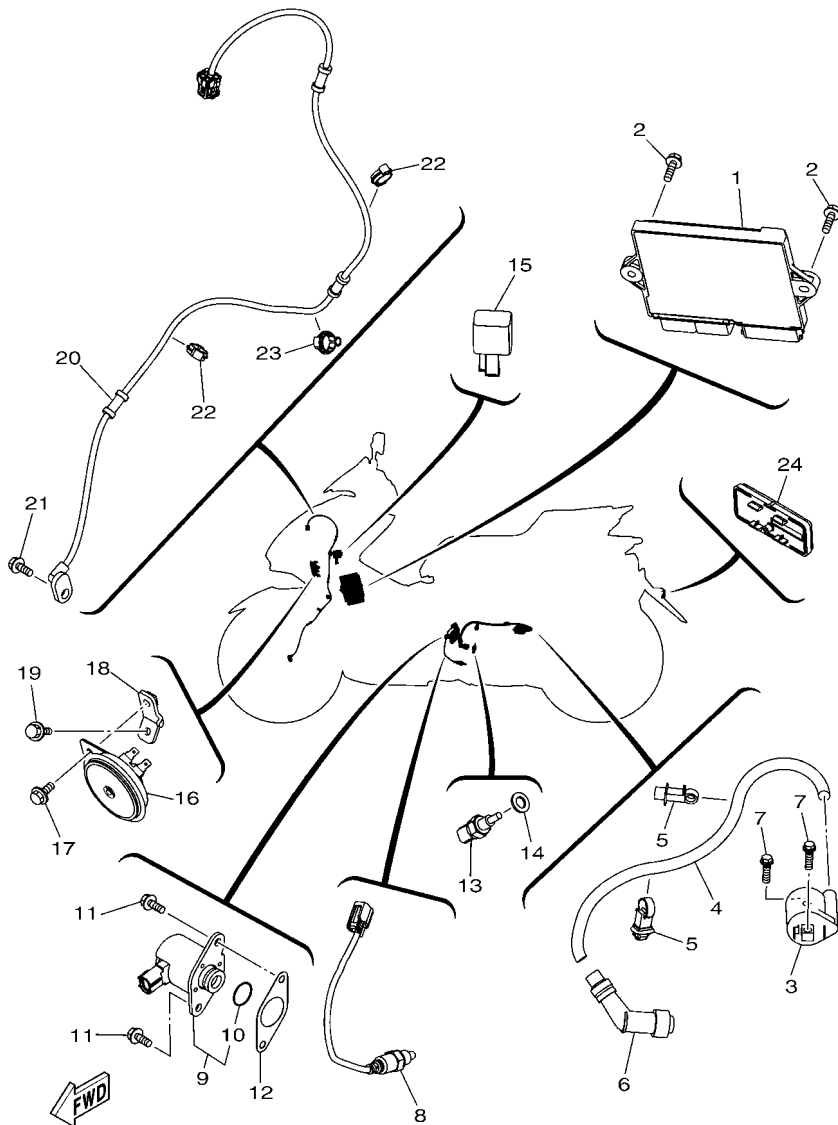
REF. NO.	PART NO.	DESCRIPTION	BG33				REMARKS
1	BC1-H2100-00	BATTERY ASSY (YUASA YTZ7V)	1				
2	BG3-H2501-00	MAIN SWITCH STEERING LOCK	1				
3	B65-H276E-01	KNOB COMP.	1				
4	90111-06162	BOLT,HEX. SOCKET BUTTON	2				
5	B65-H2568-00	COVER, MAIN SWITCH	1				
6	97707-50016	SCREW, TRUSS HEAD TAPPING	1				
7	90269-06816	RIVET	1				
8	B65-H2590-10	WIRE HARNESS ASSY	1				
9	B65-H2151-60	.FUSE (30A)	2				
10	B65-H2151-00	.FUSE (7.5A)	7				
11	B65-H2151-80	.FUSE (2A)	4				
12	1LB-H2151-00	.FUSE (10A)	2				
13	3WP-81980-00	.DIODE ASSY	1				
14	95022-06012	BOLT, FLANGE	2				
15	90464-13249	CLAMP	1				
16	90464-50800	CLAMP	2				
17	B65-H7229-00	BAND	1				
18	B65-H2566-00	SWITCH, SIDE STAND	1				
19	90464-13249	CLAMP	1				
20	90464-50800	CLAMP	1				
21	90110-06881	BOLT, HEXAGON SOCKET HEAD	1				
22	B63-H1950-00	RELAY ASSY	1				
23	2PH-H1940-01	STARTER RELAY ASSY	1				
24	BB8-H254B-00	TERMINAL COMP.	1				
25	B74-H6260-01	REMOTE CONTROL UNIT ASSY	1				
26	B74-H6261-01	.XMTR. COMP.	1				
27	B65-H5546-00	BAND	1				

**FIG. 34 ELECTRICAL 1**



B651460-S360

REF. NO.	PART NO.	DESCRIPTION	EG33				REMARKS
28	2BL-H3383-00	BUZZER	1				
29	97707-50016	SCREW, TRUSS HEAD TAPPING	1				

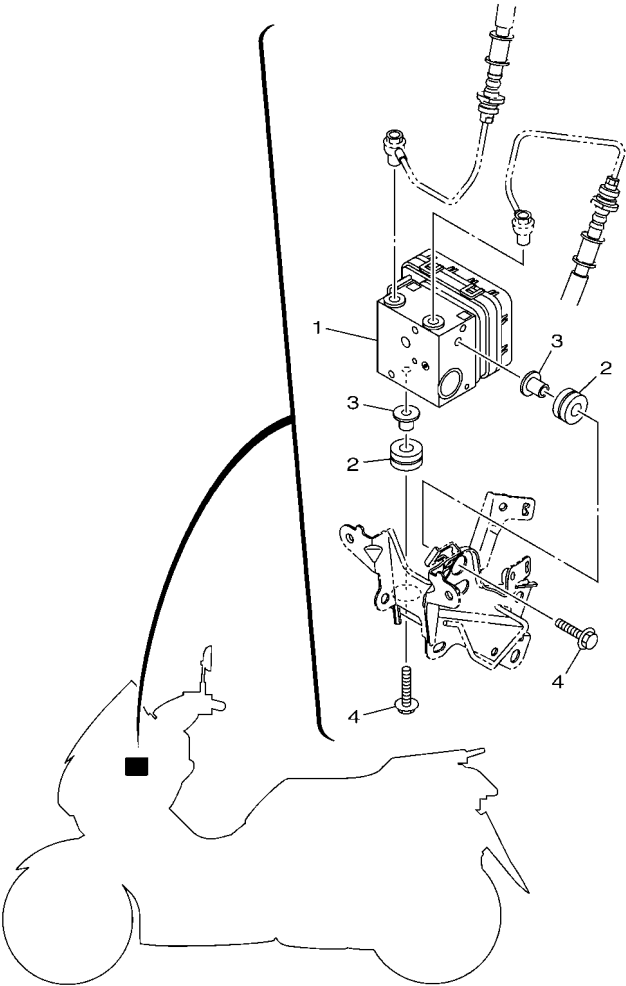


B631422-S350

FIG. 35 ELECTRICAL 2

REF. NO.	PART NO.	DESCRIPTION	EG33				REMARKS
1	B63-H594A-11	STARTER GEN. CONT. UNIT ASSY	1				
2	95D32-06020	BOLT, FLANGE DEEP RECESS	2				
3	B65-H2310-00	IGNITION COIL ASSY	1				
4	B65-H2351-00	TUBE, CORD	1				
5	90464-14809	CLAMP	2				
6	2DP-H2370-00	PLUG CAP ASSY	1				
7	95022-06020	BOLT, FLANGE	2				
8	2BM-H592A-10	SENSOR, OXYGEN	1				
9	BB8-H6110-01	SOLENOID	1				
10	2DP-H1847-00	.O-RING	2				
11	95D32-06016	BOLT, FLANGE DEEP RECESS	2				
12	2DP-H1861-00	GASKET	1				
13	54P-H3591-00	THERMO UNIT	1				
14	90430-10804	GASKET	1				
15	1PA-H3350-00	FLASHER RELAY ASSY	1				
16	2DP-H3371-00	HORN	1				
17	95D02-06012	BOLT, FLANGE DEEP RECESS	1				
18	B65-H3378-00	STAY, HORN	1				
19	95D02-06012	BOLT, FLANGE DEEP RECESS	1				
20	B63-H5970-00	WHEEL SENSOR ASSY, FRONT	1				
21	95D32-06016	BOLT, FLANGE DEEP RECESS	1				
22	90464-14803	CLAMP	2				
23	90464-14810	CLAMP	1				
24	55D-H5130-00	REAR REFLECTOR ASSY	1				

**FIG. 36 ELECTRICAL 3**



B633422-S360

REF. NO.	PART NO.	DESCRIPTION	BG33	REMARKS
1	B63-H5930-09	HYDRAULIC UNIT ASSY	1	
2	90480-14816	GROMMET	2	
3	90387-068N8	COLLAR	2	
4	95817-06020	BOLT, FLANGE	2	

NUMERICAL INDEX

PART NO.	REF. NO.	PART NO.	REF. NO.	PART NO.	REF. NO.	PART NO.	REF. NO.	PART NO.	REF. NO.	PART NO.	REF. NO.
52S-12439-00	6 - 2	2DP-E2279-00	3 - 12	B65-E4452-01	8 - 26	44D-E7653-00	12 - 4	BG3-F173F-00	16 - 42	B63-F3141-00	18 - 13
4HC-24618-00	27 - 4	B63-E2280-00	4 - 4	B65-E4453-00	8 - 24	2DP-E7660-00	12 - 9	BG3-F173F-10	16 - 42		18 - 29
3RW-25889-00	25 - 4	2DP-E2288-00	4 - 5	B65-E4453-00	9 - 4	B74-E7664-00	12 - 13	BG3-F1741-00-35	16 - 12	5LM-F3144-00	18 - 6
36Y-2589H-00	25 - 6	2DP-E240A-00	6 - 4	B65-E4711-00	9 - 1	2DP-E7668-00	12 - 17	BG3-F1741-00-P0	16 - 12		18 - 22
3WP-81980-00	34 - 13	2DP-E2410-00	6 - 1	B65-E4718-00	9 - 2	B65-E7670-00	12 - 10	BG3-F174G-00	16 - 43	3AY-F3145-00	18 - 4
B65-E1102-00	1 - 1	2DP-E2422-00	5 - 1	B65-E5150-00	10 - 1	2DP-E7674-00	12 - 5	BG3-F174H-00	16 - 44		18 - 20
2DP-E111F-00	3 - 18	2DP-E2428-00	5 - 3	B65-E5199-00	10 - 18	2DP-E7674-10	12 - 14	BG3-F174J-00	16 - 45	2JG-F3147-00	18 - 15
2DP-E1133-10	1 - 2	2DP-E2450-00	5 - 5	B65-E5316-00	11 - 14	2DP-E7678-00	12 - 18	BG3-F174J-10	16 - 45		18 - 31
2DP-E1165-00	1 - 8	B65-E2467-00	6 - 23	B65-E5326-00	11 - 15	2DP-E7678-10	12 - 20	BG3-F174K-00	16 - 46	5LM-F3152-00	18 - 9
B65-E1166-00	8 - 40	B65-E2481-00	6 - 14	B65-E5335-00	11 - 16	B65-E7683-00	12 - 15	BG3-F174K-10	16 - 46		18 - 25
2DP-E1169-00	1 - 9	B65-E2482-00	6 - 15	B65-E5337-00	11 - 17	2DP-E7684-00	12 - 16	B65-F177E-00	27 - 13	31B-F3153-00	18 - 16
2DP-E1181-00	1 - 21	B65-E2483-00	6 - 16	54P-E5351-00	7 - 3	B65-F1110-00	14 - 1	BG3-F1781-00	16 - 51		18 - 32
2DP-E1185-00	5 - 4	5P0-E2590-00	6 - 5	2DP-E5362-00	10 - 14	B65-F113B-00	14 - 11	BG3-F1781-10	16 - 51	5P0-F3156-00	18 - 5
2DP-E1191-00	1 - 7	B65-E2611-00	6 - 25	5LW-E5363-00	10 - 16	B65-F117G-00	14 - 8	BG3-F1783-00	16 - 52		18 - 21
BB8-E1193-00	1 - 15	5ST-E2615-00	6 - 6	5LW-E5371-01	10 - 30	B65-F117K-00	15 - 20	BG3-F1783-10	16 - 52	2JG-F3157-00	18 - 10
4YS-E1198-00	10 - 11	B65-E2621-00	6 - 17		11 - 5	B65-F131C-00	27 - 29	B65-F1796-00	27 - 11		18 - 26
2DP-E1311-10	1 - 25	5ST-E2843-00	6 - 7	B65-E5373-00	10 - 31	B65-F1410-00	14 - 6	B65-F179E-00	27 - 15	2BU-F3158-00	18 - 11
2DP-E132G-00	1 - 13	B65-E3300-01	7 - 1	2DP-E5407-00	11 - 11	B65-F1511-00	15 - 1	BG3-F179J-00	16 - 47		18 - 27
B65-E1351-00	1 - 26	54P-E3411-00	7 - 4	B65-E5411-00	11 - 1	B65-F1521-00	14 - 28	BG3-F179K-00	16 - 48	B65-F315H-00	18 - 17
BB8-E1391-00	1 - 18	2DP-E3556-00	8 - 14	B65-E5421-00	10 - 26	B65-F1552-00	15 - 6	BG3-F179L-00	16 - 49	B65-F315J-00	18 - 33
BB8-E1392-00	1 - 19	B65-E3585-00	8 - 1	B65-E5423-00	10 - 20	BG3-F1556-00-33	15 - 2	BG3-F179M-00	16 - 50	B63-F3170-00	18 - 8
B65-E1400-00	2 - 1	B65-E3750-00	8 - 15	B65-E5431-00	11 - 8	BG3-F1556-00-P0	15 - 2	B65-F1816-00	16 - 34		18 - 24
B63-E1603-00	2 - 9	BB8-E3761-00	8 - 8	B65-E5451-00	11 - 2	BG3-F1556-00-P1	15 - 2	B65-F1817-00	16 - 35	278-F3181-50	18 - 12
2DP-E1631-00	2 - 6	5LW-E3769-00	10 - 15	B65-E5461-00	10 - 27	BG3-F1568-00	27 - 1	B65-F1871-00	16 - 29		18 - 28
2DP-E1633-00	2 - 7	BB8-E3770-00	8 - 7	B65-E5472-00	11 - 10	B65-F1611-00	15 - 9	1S7-F1875-00	16 - 33	B65-F3340-00	18 - 34
2DP-E1651-00	2 - 4	B65-E3907-10	19 - 5	2DP-E5474-00	11 - 13	B65-F1621-00	20 - 17	B65-F2141-00	14 - 12	4D0-F3346-00	18 - 37
B63-E1681-00	2 - 2	54P-E3938-00	8 - 11	2DP-E5481-00	11 - 12	B65-F162R-10	15 - 14	B65-F2171-00	17 - 1	4RT-F3411-10	18 - 40
2DP-E2111-00	3 - 1	B65-E3971-00	19 - 4	2DP-E5495-00	11 - 9	B17-F1668-00	20 - 35	B65-F2210-00	17 - 10	4RT-F3412-10	18 - 39
B63-E2113-00	3 - 4	54P-E4137-00	8 - 12	2DP-E5744-00	12 - 19	B65-F1711-00	16 - 1	B65-F2211-00	17 - 11	5TL-F3416-00	18 - 42
2DP-E2117-00	3 - 6	B65-E4146-00	8 - 5	B65-E6111-00	13 - 9	BG3-F171E-00-33	16 - 21	5MX-F2216-00	10 - 5	1PA-F3418-00	18 - 45
5TL-E2118-00	3 - 5	54P-E4147-00	8 - 9	B65-E6111-10	13 - 9	BG3-F171E-00-P0	16 - 21		17 - 2	1P6-F341E-10	18 - 41
54P-E2119-00	3 - 3	5CA-E4147-00	8 - 10	B65-E6611-00	12 - 21	BG3-F171E-00-P1	16 - 21	BG3-F221A-00	17 - 12	B63-F3462-00	18 - 35
2DP-E2121-00	3 - 2	54P-E416A-00	8 - 19	B65-E6620-00	12 - 7	B65-F171L-00	26 - 25	BG3-F221B-00	17 - 17	B65-F384L-00	20 - 13
50C-E2126-00	3 - 7	B65-E4199-00	8 - 2	B65-E6626-00	12 - 8	B65-F171M-00	26 - 28	BG3-F2865-00-35	27 - 34	2TD-F3873-00	18 - 38
2DP-E2150-00	3 - 8	54P-E4243-00	8 - 17	B65-E7211-00	13 - 4	B65-F171N-00	16 - 15	BG3-F2865-00-P0	27 - 34	2TD-F3875-00	18 - 36
45P-E2156-00	3 - 16	54P-E4335-00	8 - 18	B65-E7211-10	13 - 4	B65-F171R-00	16 - 18	B65-F286F-00	27 - 40	B65-F4110-00	19 - 1
5YP-E2157-00	4 - 6	B65-E4346-00	8 - 6	B65-E7410-00	13 - 1	BG3-F171X-00-33	16 - 23	B65-F2957-00	16 - 37	B65-F414A-00	19 - 12
33S-E2159-01	3 - 9	B65-E4411-00	8 - 21	B65-E7410-10	13 - 1	BG3-F171X-00-P0	16 - 23	B65-F3100-00	18 - 1	5D9-F414G-00	14 - 2
	3 - 14	B65-E4412-00	8 - 22	B65-E7410-20	13 - 1	BG3-F171X-00-P1	16 - 23	B65-F3102-00	18 - 2	54P-F414G-10	19 - 7
2DP-E2160-00	3 - 13	B65-E4417-00	8 - 33	B65-E7421-00	13 - 3	B65-F1721-00	16 - 5	B65-F3103-00	18 - 18	5D9-F414G-10	14 - 3
B65-E2170-00	4 - 1	B65-E4419-00	8 - 34	B65-E7421-10	13 - 3	2DP-F172W-00	26 - 19	B65-F3110-00	18 - 7		14 - 7
2ND-E2210-10	4 - 11	B74-E4435-00	8 - 32	2DP-E7465-00	12 - 11	BG3-F1731-00-35	16 - 9		18 - 23	B65-F419A-00	19 - 13
B65-E2213-00	4 - 12	B65-E4437-00	8 - 23	2DP-E7465-10	12 - 12	BG3-F1731-00-P0	16 - 9	1FC-F3111-10	18 - 14	2DP-F4491-00	19 - 8
B63-E2223-00	5 - 2	4ST-E443E-00	11 - 6	2DP-E7611-00	12 - 6	5P2-F1737-00	16 - 40		18 - 30	B65-F4494-00	27 - 25
BB8-E2226-00	3 - 11	52B-E443E-00	8 - 28	B65-E7620-00	12 - 1		27 - 54	B65-F3123-00	18 - 47	4YY-F4610-00	19 - 10
1LB-E2228-00	4 - 10	5TP-E443G-10	8 - 29	2DP-E7623-00	12 - 3	B92-F1737-00	24 - 36	B65-F3126-00	18 - 3	4YY-F4612-00	19 - 11
B65-E2231-00	4 - 8	B74-E4449-00	8 - 31	B65-E7632-00	12 - 2	BG3-F173E-00	16 - 41	B65-F312G-00	18 - 46	B65-F465E-00	15 - 19
2DP-E2241-00	4 - 9	B65-E4451-00	8 - 25	B65-E7641-00	12 - 22	BG3-F173E-10	16 - 41	B65-F3136-00	18 - 19	B65-F470F-00	20 - 2



NUMERICAL INDEX

PART NO.	REF. NO.	PART NO.	REF. NO.	PART NO.	REF. NO.	PART NO.	REF. NO.	PART NO.	REF. NO.	PART NO.	REF. NO.
BG3-F471K-00-33	16 - 25	B65-F5874-00	25 - 18	B65-F7462-00	26 - 43	BC1-H2100-00	34 - 1	40D-H3962-00	33 - 10	90109-08232	22 - 2
BG3-F471K-00-P0	16 - 25	B65-F5875-00	18 - 48	B65-F7481-00	26 - 12	B65-H2129-00	20 - 18	1LB-H3967-00	33 - 9	90110-06378	1 - 24
BG3-F471K-00-P1	16 - 25	B65-F5876-00	18 - 50	B65-F7481-00	26 - 31	1LB-H2151-00	34 - 12	40D-H396X-00	33 - 11	90110-06846	8 - 20
B65-F4726-00	20 - 7	B65-F587A-00	14 - 24	B65-F7484-00	26 - 32	B65-H2151-00	34 - 10	B65-H3973-10	33 - 1	90110-06880	28 - 3
2WB-F4727-00	20 - 6	B65-F5887-00	14 - 22	BG3-F7485-00	24 - 20	B65-H2151-60	34 - 9	BN1-H3975-10	33 - 5	90110-06881	34 - 21
B65-F472J-00	20 - 26	2R6-F5916-00	22 - 14	B65-F7488-00	26 - 18	B65-H2151-80	34 - 11	2DP-H3980-00	25 - 13	90111-06162	34 - 4
B65-F472K-00	16 - 27	2BM-F5917-00	22 - 6	B65-F74A8-00	27 - 26	B65-H2310-00	35 - 3	40D-H3980-20	33 - 14	90111-06807	9 - 3
B65-F472T-00	14 - 29	2BM-F5919-00	22 - 11	BG3-F811T-00	20 - 36	B65-H2351-00	35 - 4	1PB-H4127-00	29 - 5	90119-06044	15 - 10
B65-F4730-00	20 - 1	2DP-F5920-00	22 - 13	5LM-F8151-00	20 - 34	2DP-H2370-00	35 - 6	B63-H4300-00	31 - 1		26 - 14
B63-F4737-00	20 - 11	5YP-F5924-00	22 - 12	1DY-F8153-00	20 - 33	BG3-H2501-00	34 - 2	1WD-H4547-00	32 - 11		26 - 21
B65-F4738-00	14 - 31	5YP-F5925-01	22 - 10	B65-F818A-00	27 - 28	BB8-H254B-00	34 - 24	B65-H4710-00	32 - 2	90119-06096	15 - 16
B65-F473R-10	20 - 9	5YP-F5937-00	22 - 7	B65-F8227-00	27 - 30	1LB-H2556-00	33 - 15	B63-H4740-00	32 - 9	90119-068B7	19 - 2
3C1-F4741-00	20 - 3	BG3-F60C1-00	24 - 37	B65-F8311-00	27 - 2	B65-H2566-00	34 - 18	1CK-H4744-00	32 - 10	90149-05030	21 - 6
B65-F474A-00	20 - 25	BG3-F60C1-10	24 - 37	BG3-F8315-00	27 - 62	B65-H2568-00	34 - 5	2FC-H5111-00	17 - 13	90149-05801	1 - 10
B65-F474W-00	20 - 29	BG3-F60C1-20	24 - 37	BG3-F8315-10	27 - 62	BG3-H2590-10	34 - 8		17 - 18	90149-05804	27 - 24
1S8-F4768-00	20 - 24	B65-F6110-00	24 - 1	BG3-F8315-20	27 - 62	B65-H276E-01	34 - 3	55D-H5130-00	35 - 24	90150-05023	24 - 34
	27 - 21	1S7-F6113-00	31 - 4	B65-F8321-00	27 - 8	1LB-H2911-10	33 - 6	31B-H5353-00	31 - 2	90159-06810	27 - 5
B65-F476A-00	20 - 4	B65-F6143-00	24 - 26	BG3-F8351-00-33	27 - 41	BG3-H3310-00	29 - 1	B65-H5546-00	34 - 27	90160-05012	27 - 9
B65-F476E-00	20 - 5	BG3-F6145-00-33	24 - 30	BG3-F8351-00-P0	27 - 41	2CB-H3311-00	29 - 3	B65-H5752-00	19 - 6	90167-05801	16 - 10
B65-F4780-00	20 - 22	BG3-F6145-00-P0	24 - 30	BG3-F8351-00-P1	27 - 41	55D-H3311-00	29 - 10	2BM-H592A-10	35 - 8		16 - 13
40D-F4780-01	27 - 20	BG3-F6145-00-P1	24 - 30	B65-F8356-10	14 - 20		29 - 18	B63-H5930-09	36 - 1	90170-05803	3 - 10
B65-F478E-00	20 - 21	4US-F6199-00	20 - 12	B65-F8357-00	27 - 23	1VP-H3318-00	29 - 25	B63-H594A-11	35 - 1		3 - 15
B65-F479D-00	20 - 32	B65-F61AA-00	24 - 33	B65-F8358-00	14 - 26	B63-H331E-00	29 - 6	B63-H5970-00	35 - 20	90170-12800	12 - 26
B65-F482H-00	15 - 18	B92-F6240-00	24 - 6	B65-F835U-00	27 - 47	B63-H3320-00	29 - 2	BB8-H6110-01	35 - 9	90170-12802	12 - 27
B65-F5168-00-33	21 - 1	1VP-F6241-00	24 - 5	B65-F835V-00	27 - 50	55D-H3323-00	29 - 12	B74-H6260-01	34 - 25	90179-05849	24 - 35
B65-F5168-00-P0	21 - 1	B92-F6246-00	24 - 7	BG3-F8377-00-33	27 - 44	55D-H3328-00	29 - 13	B74-H6261-01	34 - 26	90179-06835	24 - 25
2DP-F517G-00	21 - 5	2DP-F6280-00	24 - 8	BG3-F8377-00-P0	27 - 44		29 - 21	B65-H7229-00	34 - 17	90179-12004	28 - 5
B65-F5181-00	21 - 10	54P-F6281-01	24 - 16	BG3-F8377-00-P1	27 - 44	55D-H332M-00	29 - 20	4C9-W0048-00	22 - 8	90179-25810	18 - 43
5BP-F530K-20	23 - 8	54P-F6282-00	24 - 17	BG3-F8391-00	27 - 55	BG3-H3330-00	29 - 9	90101-06046	23 - 15	90183-04039	15 - 13
54P-F5326-00	23 - 5	2DP-F6290-00	24 - 9	BG3-F8391-10	27 - 55	55D-H3333-00	29 - 15	90105-088E3	14 - 18	90183-05801	30 - 5
B65-F5336-00	23 - 4	B65-F6301-00	24 - 10	BG3-F8392-00	27 - 56		29 - 23	90105-088H0	17 - 15	90183-05807	14 - 32
B65-F5338-00-33	23 - 1	B65-F6351-00	24 - 19	BG3-F8392-10	27 - 56	55D-H333A-00	29 - 11		17 - 20		15 - 12
B65-F5338-00-P0	23 - 1	B65-F637G-00	24 - 21	BG3-F8393-00	27 - 57	BG3-H333E-00	29 - 14		17 - 22		15 - 17
5LW-F533A-00	23 - 13	B65-F7111-00	26 - 1	BG3-F8393-10	27 - 57	BG3-H3340-00	29 - 17	90105-10283	14 - 14		16 - 3
B65-F5351-00	23 - 11	2PH-F7112-00	26 - 2	BG3-F8398-00	27 - 58	55D-H334A-00	29 - 19	90105-10831	22 - 15		16 - 7
B65-F5355-00	23 - 12	5P2-F7114-00	14 - 16	BG3-F8399-00	27 - 59	BG3-H334E-00	29 - 22	90105-10896	24 - 3		16 - 11
2BM-F5802-00	22 - 4	54P-F7121-00	10 - 3	BG3-F839A-00	27 - 60	1PA-H3350-00	35 - 15	90109-06220	15 - 4		16 - 14
5YP-F5803-50	22 - 5	5VW-F7214-00	26 - 4	5P2-F839B-00	27 - 53	55D-H3358-00	29 - 16		15 - 15		20 - 14
B63-F5805-00	22 - 9		26 - 11		27 - 64		29 - 24		16 - 4		20 - 19
1WD-F5807-00	25 - 2	B65-F7217-00	26 - 8	BG3-F839E-00	27 - 61	2DP-H3371-00	35 - 16		16 - 8		24 - 2
B63-F580U-00	22 - 3	5LW-F7254-00	26 - 6	B65-F842M-00	27 - 16	B65-H3378-00	35 - 18		16 - 31		24 - 27
2DP-F582U-00	22 - 1	B65-F7311-00	26 - 7	B65-F842N-00	27 - 37	2BL-H3383-00	34 - 28		20 - 15		24 - 31
B63-F5852-00	25 - 3	B65-F7426-00	27 - 33	B63-H1410-00	28 - 2	B65-H3500-21	30 - 1		26 - 15		26 - 17
2ND-F5854-00	25 - 5	B65-F7430-00	26 - 33	B63-H1450-00	28 - 1	54P-H3591-00	35 - 13		26 - 22		26 - 24
2ND-F5855-00	25 - 7	B65-F7431-00	26 - 34	2DP-H1847-00	35 - 10	1LB-H3912-00	33 - 7		31 - 6		26 - 27
5TL-F5867-11	25 - 11	B65-F7440-00	26 - 41	2DP-H1861-00	35 - 12	2PV-H3922-00	25 - 8	90109-06577	25 - 9		26 - 30
B63-F5870-00	25 - 1	B65-F7441-00	26 - 42	2PH-H1940-01	34 - 23	1LB-H3935-00	33 - 8	90109-06814	33 - 12		27 - 6
B65-F5873-00	25 - 15	B65-F7452-00	26 - 35	B63-H1950-00	34 - 22	5TL-H3955-20	33 - 2	90109-068A4	15 - 5		27 - 10

NUMERICAL INDEX

PART NO.	REF. NO.	PART NO.	REF. NO.	PART NO.	REF. NO.	PART NO.	REF. NO.	PART NO.	REF. NO.	PART NO.	REF. NO.
90183-05807	27 - 19	90387-17807	17 - 5	90501-16804	24 - 23	93102-20815	13 - 11	95022-06025	5 - 12	97602-04312	25 - 14
	27 - 32	90387-17808	17 - 8	90506-12001	23 - 9	93102-22829	10 - 9	95022-06030	1 - 11	97602-05216	33 - 3
	27 - 36	90388-10808	10 - 4	90506-12001	23 - 10	93102-24802	10 - 21		10 - 25	97702-40612	29 - 4
	27 - 39	90388-10818	14 - 9	90506-20818	26 - 10	93102-32807	13 - 8	95022-06035	11 - 4	97702-50016	30 - 2
	27 - 43	90401-10812	25 - 16	90506-40804	26 - 5	93106-20816	21 - 3	95022-06045	6 - 22	97707-40012	30 - 3
	27 - 46		25 - 19	90520-02005	27 - 35	93106-28801	17 - 3	95022-06060	10 - 7	97707-50012	27 - 31
	27 - 49	90430-06014	1 - 5	90520-02014	31 - 3	93106-28813	17 - 6	95022-06110	10 - 8	97707-50016	14 - 30
	27 - 52		1 - 28	90520-02829	14 - 4	93210-07802	23 - 7	95022-08045	10 - 29		15 - 8
	32 - 7		5 - 9		16 - 30	93210-09806	4 - 2	95027-06020	5 - 8		16 - 2
90183-06800	15 - 11	90430-08119	10 - 13		19 - 3	93210-14816	10 - 17	95302-08600	1 - 16		16 - 6
	15 - 22	90430-10804	35 - 14	90520-03831	27 - 14	93210-19809	5 - 13		17 - 16		16 - 19
90183-06818	15 - 3	90445-05004	32 - 13	90520-04806	20 - 10	93210-29800	7 - 6		17 - 21		16 - 16
90185-10011	24 - 4	90450-43805	8 - 39	90520-05815	14 - 33	93210-39803	5 - 11	95602-06100	25 - 10		16 - 22
90185-16800	23 - 16	90464-07805	16 - 39	90520-06810	27 - 27	93211-28800	10 - 22	95602-08200	14 - 19		16 - 24
90201-04803	30 - 4	90464-07807	24 - 15	90520-08803	14 - 5	93306-000Y3	5 - 7	95602-10200	14 - 13		16 - 26
90201-08859	1 - 17	90464-10802	24 - 13	90520-10826	6 - 18	93306-001X9	4 - 3		14 - 15		16 - 28
90201-10118	25 - 17	90464-13249	34 - 15	90520-10827	6 - 19	93306-204XW	13 - 10		21 - 11		20 - 16
	25 - 20		34 - 19	90520-10832	8 - 38	93306-252YR	12 - 28		26 - 9		20 - 20
90201-12688	28 - 4	90464-14803	35 - 22	90520-10834	14 - 34	93306-255X5	13 - 7	95607-06100	33 - 13		24 - 28
90201-163G6	12 - 24	90464-14809	35 - 5		32 - 3	93306-300YF	21 - 4	95612-08618	1 - 6		24 - 32
90201-16819	12 - 23	90464-14810	35 - 23	90520-10839	27 - 3	93306-302YP	13 - 2	95702-05500	17 - 14		26 - 16
90202-26142	18 - 44	90464-15804	29 - 8	90520-10844	6 - 20	93306-303YT	13 - 6		17 - 19		26 - 23
90206-14093	23 - 14	90464-16006	24 - 14	90520-10845	6 - 21	93306-303YV	17 - 4	95702-06500	20 - 8		27 - 7
90208-12808	12 - 25		32 - 14	90520-15811	8 - 37	93306-351Y5	13 - 12	95702-08500	9 - 5		27 - 12
90249-12008	24 - 24	90464-50800	32 - 1	91312-05010	19 - 9	93310-528YK	2 - 3	95702-10500	23 - 6		27 - 18
90269-06816	15 - 7		32 - 15		24 - 12	93450-16115	2 - 8	95812-10045	9 - 6		27 - 38
	16 - 17		34 - 16	91312-05016	3 - 17	93501-04830	26 - 37	95812-10060	9 - 7		27 - 48
	16 - 20		34 - 20	91312-06020	4 - 13		26 - 45	95817-06020	36 - 4		27 - 51
	24 - 29	90467-08003	16 - 36	91312-06025	8 - 4	93900-00828	21 - 8	95D02-06012	16 - 38		29 - 7
	26 - 26	90467-10008	10 - 32	91312-06055	8 - 3		23 - 3		18 - 49		31 - 5
	26 - 29	90467-11106	11 - 7	91317-06016	19 - 14	94111-14804	21 - 7		18 - 51		32 - 8
	27 - 17	90467-11825	8 - 41	91317-06020	33 - 17	94114-14801	23 - 2		35 - 17		33 - 4
	27 - 42		10 - 33	91317-06025	25 - 12	94568-F9096	4 - 7		35 - 19		34 - 6
	27 - 45	90467-12052	8 - 42	91401-25015	26 - 39	94700-00415	1 - 20	95D32-06010	14 - 27		34 - 29
	34 - 7	90467-12809	8 - 30		26 - 47	94700-00870	1 - 20	95D32-06016	6 - 26	97707-50025	8 - 27
90280-03017	2 - 5	90467-19803	6 - 12	91701-08035	26 - 38	95022-06010	1 - 4		35 - 11	98502-05010	33 - 16
90340-12808	10 - 10		6 - 13		26 - 46		1 - 27		35 - 21	98502-05020	7 - 2
90340-12813	1 - 3	90467-20806	6 - 11	91810-14809	1 - 22		20 - 23	95D32-06020	32 - 6	98502-05025	24 - 18
90380-10803	12 - 29	90467-22802	8 - 35		1 - 23	95022-06012	10 - 19		35 - 2	98502-06012	8 - 16
90387-068G3	32 - 5	90480-01559	26 - 13		10 - 6		24 - 22	95D32-06025	20 - 27	98907-04014	32 - 12
90387-068N8	36 - 3		26 - 20		10 - 23		27 - 22		20 - 30	99002-09600	26 - 3
90387-08821	14 - 17	90480-14808	16 - 32		10 - 28		34 - 14	95D32-06030	6 - 10	99009-10400	5 - 6
90387-08823	6 - 8	90480-14816	36 - 2		11 - 3	95022-06014	3 - 19		8 - 13	99009-25400	13 - 5
90387-08840	20 - 28	90480-14823	32 - 4	92012-05016	24 - 11	95022-06020	6 - 3		8 - 36	99009-35700	12 - 30
	20 - 31	90480-15811	6 - 9	92012-06010	14 - 23		6 - 24	95D32-08020	26 - 40	99009-47500	17 - 7
90387-10277	21 - 9	90501-12743	26 - 36		14 - 25		10 - 24		26 - 48	99231-00080	27 - 63
90387-10848	21 - 2		26 - 44	92012-08012	14 - 21		15 - 21	95D32-08035	10 - 12	99234-00080	27 - 63
90387-10857	14 - 10	90501-16004	7 - 5	93102-08800	1 - 14		35 - 7	95D32-10060	17 - 9	99236-00080	27 - 63

NUMERICAL INDEX

PART NO.	REF. NO.	PART NO.	REF. NO.	PART NO.	REF. NO.	PART NO.	REF. NO.	PART NO.	REF. NO.	PART NO.	REF. NO.
99480-03012	10 - 2										
99530-08012	1 - 12										
	5 - 10										