



# PARTS CATALOGUE

## RX-Z (5PV2) MALAYSIA

---



1D5PV-440E1

( )

RX-Z  
PARTS CATALOGUE  
©2004 by Yamaha Motor Co., Ltd.  
1st edition, October 2004  
All rights reserved.  
Any reprinting or unauthorized use  
without the written permission of  
Yamaha Motor Co., Ltd.  
is expressly prohibited.  
Printed in Japan.

# FOREWORD

This Parts Catalogue is related to the parts for the model(s) on the cover page. When you are ordering replacement parts, please refer to this Parts Catalogue and quote both part numbers and part names correctly.

1. Modifications or additions which have been made after the issue of the Parts Catalogue will be announced in the Parts News.

It is advisable that you make the necessary corrections to the Parts Catalogue according to the Parts News.

2. Abbreviations

The following abbreviations are used in this Parts Catalogue.

“UR” Use specified parts number.

“UN” Use as many as needed.

“AP” Alternate Parts

“LM” Locally Made (Parts need to be ordered locally)

“F#” Frame No. (Applicable machine No.)

“O/S” Over Size

3. The number of components for assembly

- Parts, which are to be supplied in an assembly, are listed with a dot (.) in front of the part name as shown below.
- The numeral appearing to the right of each component part indicates the quantity of parts for each assembly unit.

PART NO.	DESCRIPTION	Q'TY	REMARKS
2F5-83310-60	FRONT FLASHER LIGHT ASSY	2	
115-83311-60	.BULB (6V-18W)	1	

4. Applicable colours of graphics are represented in the “REMARKS” as shown below.

PART NO.	DESCRIPTION	Q'TY	REMARKS
2N4-24110-00-X5	FUEL TANK COMP.	2	MXR
3J1-24240-10	.GRAPHIC, FUEL TANK	1	FOR MXR

5. Note that the illustrations for reference in finding parts numbers are not to be used for assembling. When assembling, please use the applicable service manual.

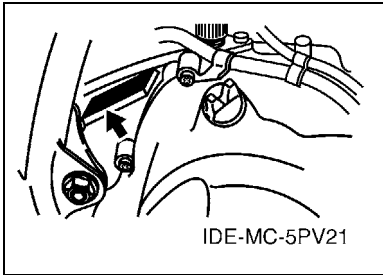
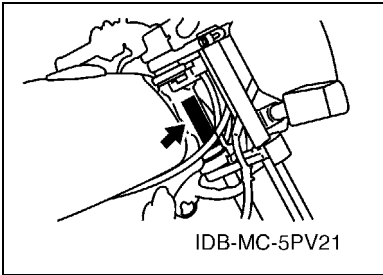
6. The asterisk (\*) before a reference number indicates modified items after the first edition.

# FOREWORD

7. Applicable Serial No.

Frame Serial No.

Engine Serial No.



8. Applicable Colour Code (The (\*) mark shows Model colour.)

Abbreviation	Colour Name	Colour Code
BWC1	BLUISH WHITE COCKTAIL 1	0390
CIS	CIRCUIT SILVER	00WN
DPBMC(*)	DEEP PURPLISH BLUE METALLIC C	0564
LGB	LOW GLOSS BLACK	0098
VRC1(*)	VIVID RED COCKTAIL 1	0121
YB(*)	YAMAHA BLACK	0033

9. Applicable Starting Serial No.

Frame Serial No.

Serial No.	Name Of Q'ty Column	Model Code

Engine Serial No.

Serial No.	Name Of Q'ty Column	Model Code

# CONTENTS

## ENGINE

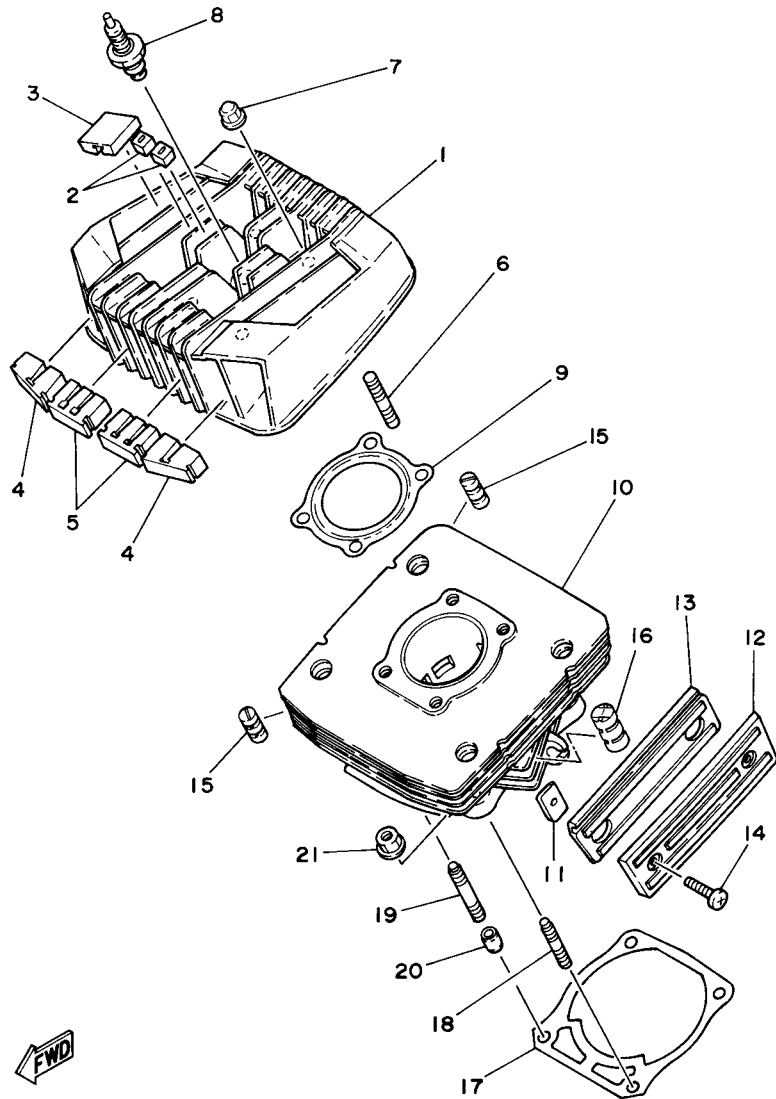
CYLINDER .....	1
CRANKSHAFT & PISTON .....	2
OIL PUMP .....	4
INTAKE .....	6
CARBURETOR .....	8
EXHAUST .....	9
CRANKCASE .....	10
CRANKCASE COVER 1 .....	11
STARTER .....	12
CLUTCH .....	13
TRANSMISSION .....	14
TACHOMETER GEAR .....	16
SHIFT CAM & FORK .....	17
SHIFT SHAFT .....	18

## CHASSIS

FRAME .....	19
FENDER .....	20
SIDE COVER .....	21
OIL TANK .....	23
REAR ARM & SUSPENSION .....	24
STEERING .....	25
FRONT FORK .....	26
FUEL TANK .....	28
SEAT .....	30
FRONT WHEEL .....	31
FRONT BRAKE CALIPER .....	32
REAR WHEEL .....	33
STEERING HANDLE & CABLE .....	35
FRONT MASTER CYLINDER .....	36
STAND & FOOTREST .....	37
COWLING 1 .....	39
GENERATOR .....	41
FLASHER LIGHT .....	42
METER .....	43
HEADLIGHT .....	44
TAILLIGHT .....	45
HANDLE SWITCH & LEVER .....	46
ELECTRICAL 1 .....	47
ELECTRICAL 2 .....	48

## INDEX

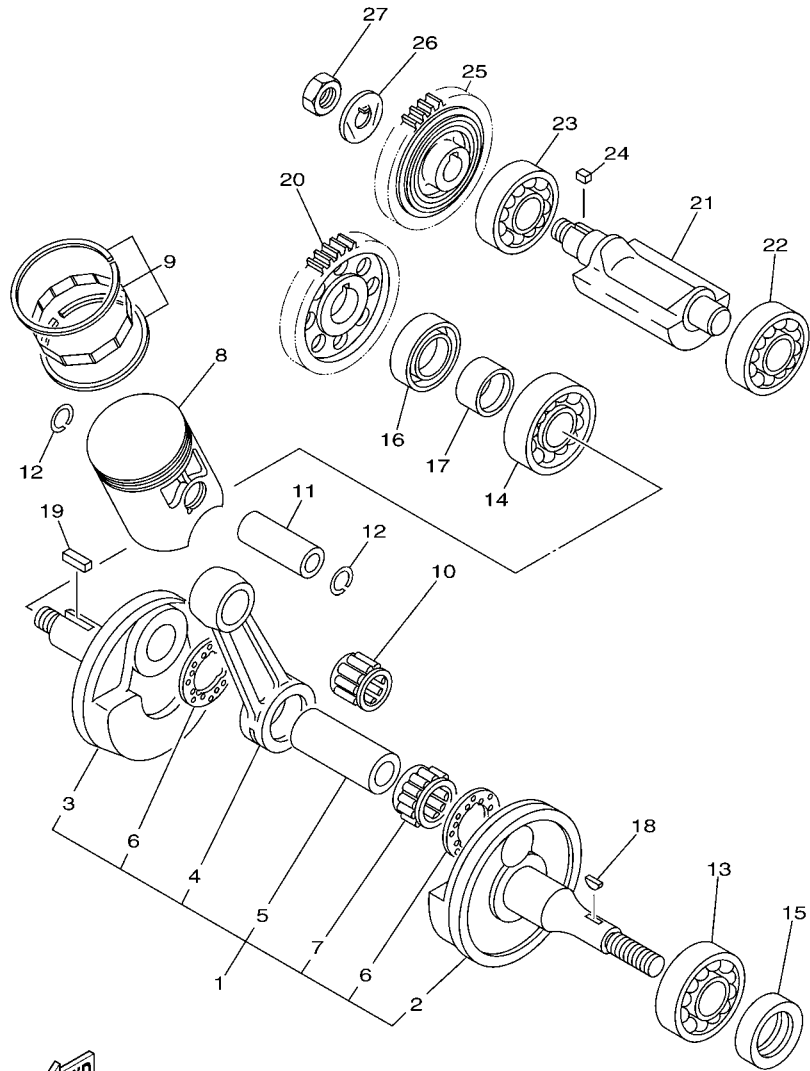
NUMERICAL INDEX .....	49
-----------------------	----



55F440-6010

FIG. 1 CYLINDER

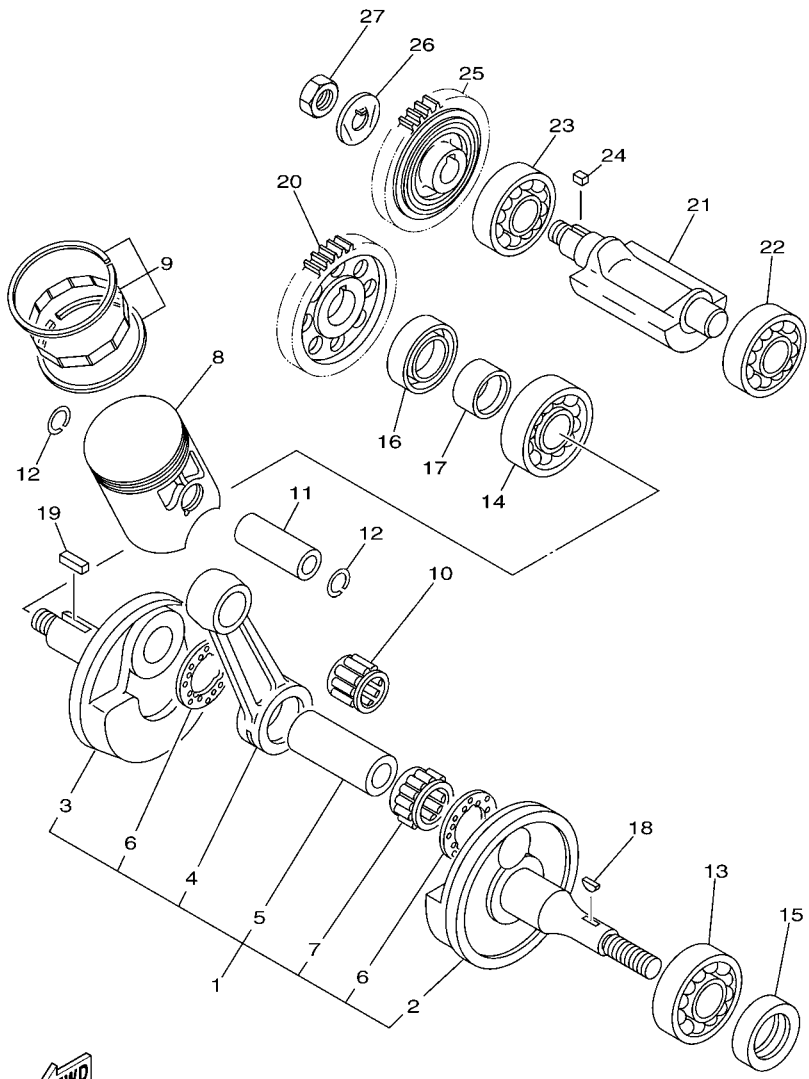
REF. NO.	PART NO.	DESCRIPTION	SPVZ				REMARKS
1	55K-11111-10	HEAD, CYLINDER 1	1				
2	463-11127-02	ABSORBER 3	6				
3	55K-11161-00	ABSORBER 1	2				
4	55K-11127-00	ABSORBER 3	2				
5	4Y2-11129-00	ABSORBER 5	2				
6	90116-08393	BOLT, STUD	4				
7	90176-08061	NUT, CROWN	4				
8	94701-00261	PLUG SPARK (NGK BR9ES)	1				
9	55G-11181-00	GASKET, CYLINDER HEAD 1	1				
10	5PV-11311-00	CYLINDER 1	1				
11	55K-1131E-00	HOLDER 1	4				
12	55K-1131M-10	COVER	2				
13	55K-11326-00	SEAT	2				
14	90154-06029	SCREW, BINDING	4				
15	4X8-11162-00	ABSORBER 2	4				
16	30X-11127-00	ABSORBER 3	2				
17	55K-11351-01	GASKET, CYLINDER	1				
18	90116-08318	BOLT, STUD	2				
19	90116-08388	BOLT, STUD	2				
20	99530-10114	PIN, DOWEL	2				
21	90179-08299	NUT	4				



**FWD**  
3XL3440-0020

**FIG. 2 CRANKSHAFT & PISTON**

REF. NO.	PART NO.	DESCRIPTION	SPV2				REMARKS
1	55K-11400-01	CRANKSHAFT ASSY	1				
2	55K-11412-01	.CRANK 1	1				
3	55K-11422-00	.CRANK 2	1				
4	55K-11651-00	.ROD, CONNECTING	1				
5	55K-11681-00	.PIN, CRANK 1	1				
6	90209-22257	.WASHER	2				
7	93310-522J0	.BEARING	1				
8	5PV-11631-00-A0	PISTON (STD)	1				
	5PV-11635-00	PISTON (0.25MM O/S)	1				AP
	5PV-11636-00	PISTON (0.50MM O/S)	1				AP
	5PV-11637-00	PISTON (0.75MM O/S)	1				AP
	5PV-11638-00	PISTON (1.00MM O/S)	1				AP
9	5PV-11603-00	PISTON RING SET (STD)	1				
	5PV-11604-00	PISTON RING SET (0.25MM O/S)	1				AP
	5PV-11605-00	PISTON RING SET (0.50MM O/S)	1				AP
	5PV-11606-00	PISTON RING SET (0.75MM O/S)	1				AP
	5PV-11607-00	PISTON RING SET (1.00MM O/S)	1				AP
10	93310-216J2	BEARING	1				
11	4Y2-11633-00	PIN, PISTON	1				
12	93450-17044	CIRCLIP	2				
13	93306-20529	BEARING	1				
14	93306-30421	BEARING	1				
15	93103-25098	OIL SEAL	1				
16	93103-28097	OIL SEAL	1				
17	90387-207F3	COLLAR	1				
18	90280-03017	KEY, WOODRUFF	1				
19	90282-05047	KEY, STRAIGHT	1				

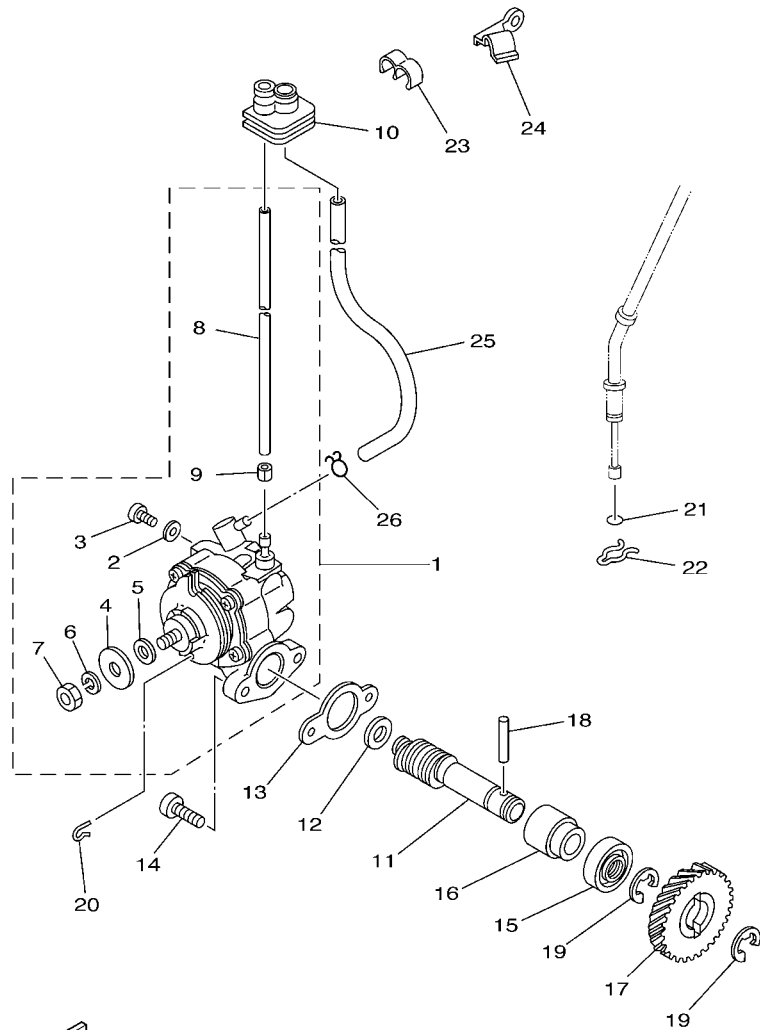


3XL3440-0020

FIG. 2 CRANKSHAFT & PISTON

REF. NO.	PART NO.	DESCRIPTION	SPV2					REMARKS
20	10V-11536-01	GEAR, DRIVE (43T)	1					
21	55K-11454-00	WEIGHT 1	1					
22	93306-20216	BEARING	1					
23	93306-20313	BEARING	1					
24	90282-05013	KEY, STRAIGHT	1					
25	55K-11530-00	BALANCER WIEGHT GEAR COMP.43T	1					
26	90215-12235	WASHER, LOCK	1					
27	90170-12337	NUT	1					
-----								
-----								
-----								
-----								
-----								
-----								
-----								
-----								



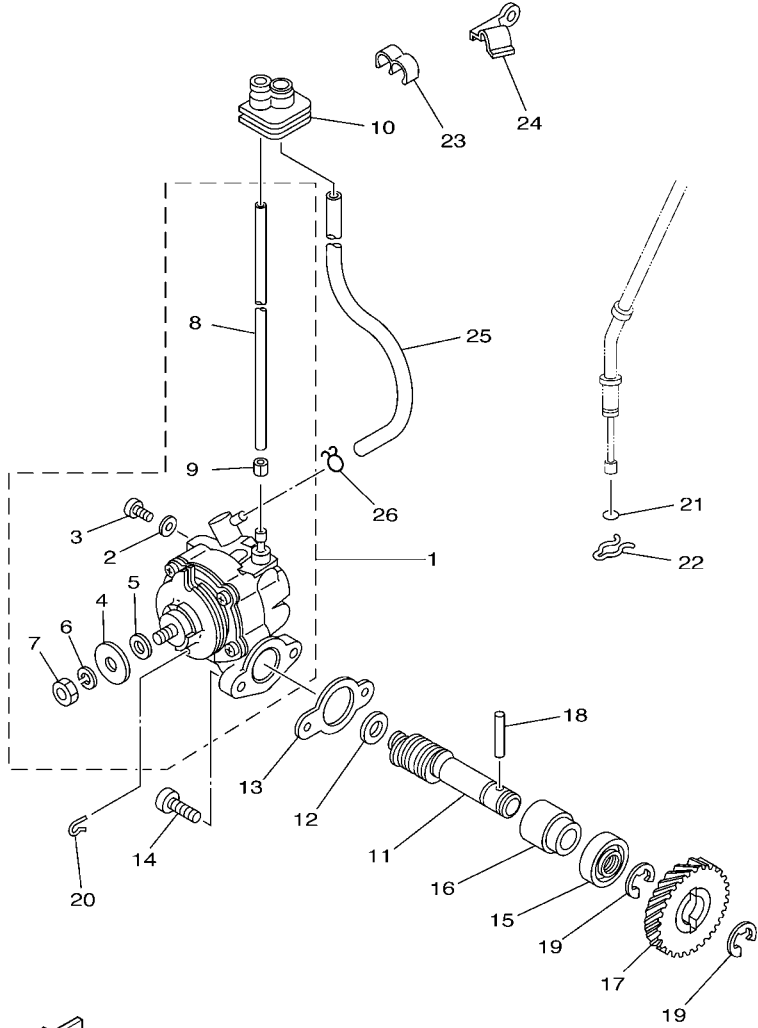


5PV1440-1030

FIG. 3 OIL PUMP

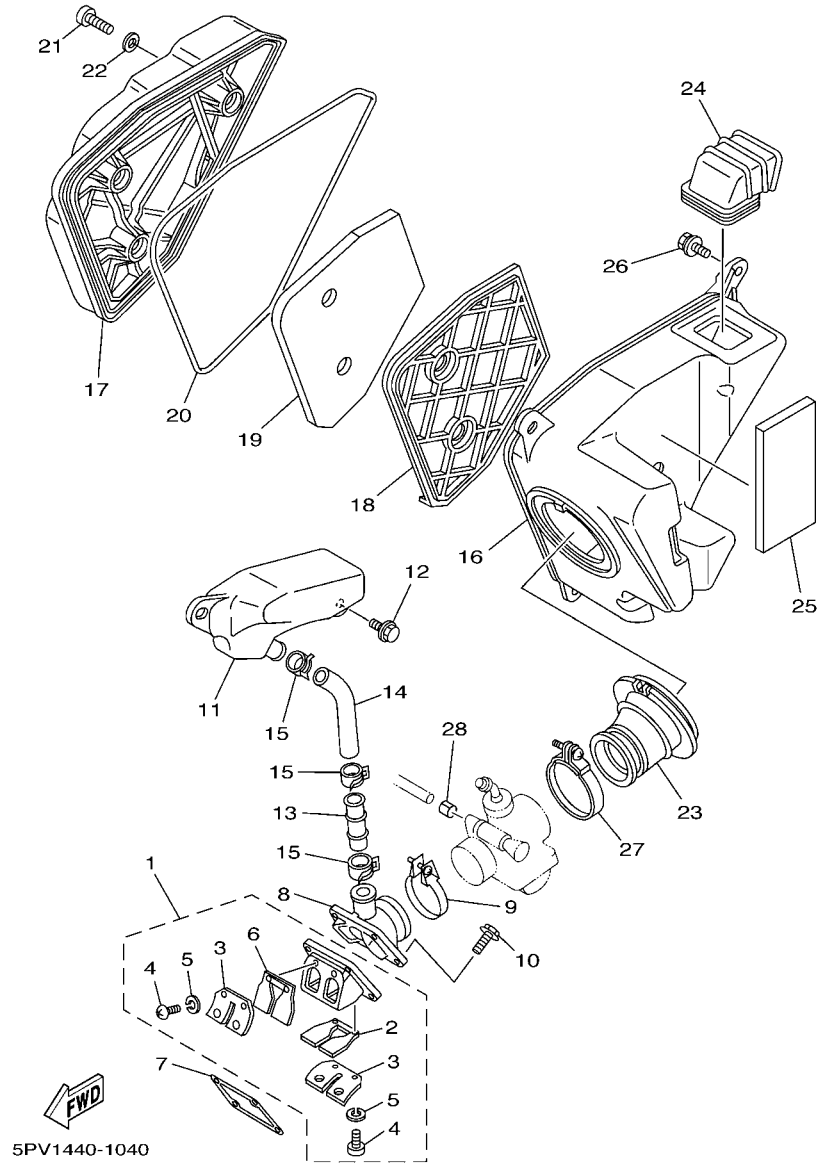
REF. NO.	PART NO.	DESCRIPTION	5PV2				REMARKS
1	55K-13101-02	OIL PUMP ASSY	1				
2	90430-04004	.GASKET	1				
3	98901-04008	.SCREW, BIND	1				
4	137-13138-01	.PLATE, ADJUSTING	1				
5	137-13137-00-03	.SHIM (T=0.3)	1				UR
5	137-13137-00-05	.SHIM (T=0.5)	1				UR
5	137-13137-00-10	.SHIM (T=1.0)	1				UR
6	92901-05100	.WASHER, SPRING	1				
7	95301-05600	.NUT	1				
8	90445-05681	.HOSE (L210)	1				
9	90468-02033	.CLIP	1				
10	18G-13174-00	HOLDER, OIL PIPE	1				
11	55K-13175-01	SHAFT, WORM	1				
12	90201-08624	WASHER, PLATE	1				
13	126-13116-01	GASKET, PUMP CASE	1				
14	98507-05014	SCREW, PAN HEAD	2				
15	93101-10001	OIL SEAL	1				
16	137-13176-00	METAL, WORM SHAFT OUTER	1				
17	10V-13178-01	GEAR, PUMP DRIVE	1				
18	93603-22028	PIN, DOWEL	1				
19	93430-08007	CIRCLIP	2				
20	363-13133-01	CLIP	1				
21	93210-07100	O-RING	1				
22	90468-08086	CLIP	1				
23	90468-15020	CLIP	1				
24	367-13174-00	HOLDER, OIL PIPE	1				
25	90445-092E8	HOSE (L450)	1				

FIG. 3 OIL PUMP



  
5PV1440-1030

REF. NO.	PART NO.	DESCRIPTION	5PV2				REMARKS
26	90467-08075	CLIP	1				



**FIG. 4 INTAKE**

REF. NO.	PART NO.	DESCRIPTION	5PV2				REMARKS
1	3BS-13610-00	REED VALVE ASSY	1				
2	3BS-13613-00	.REED, VALVE	1				
3	10V-13616-01	.STOPPER, REED VALVE	2				
4	98507-03008	.SCREW, PAN HEAD	4				
5	92907-03100	.WASHER, SPRING	4				
6	3BS-13613-10	.REED, VALVE	1				
7	3GG-13621-00	GASKET, VALVE SEAT	1				
8	31K-13565-01	JOINT, CARBURETOR	1				
9	3XL-13575-00	BAND	1				
10	95027-06025	BOLT, FLANGE	4				
11	55K-13581-01	CHAMBER, AIR	1				
12	90119-06117	BOLT, WITH WASHER	2				
13	55K-13584-00	PIPE, INTAKE MANIFOLD	1				
14	90445-21551	HOSE (L165)	1				
15	90467-20050	CLIP	3				
16	55F-E4411-00	CASE, AIR CLEANER 1	1				
17	55F-E4412-00	CAP, CLEANER CASE 1	1				
18	55F-E4468-00	PLATE,ELEMENT FITTING	1				
19	3BS-E4451-00	ELEMENT, AIR CLEANER	1				
20	3XL-E4476-00	SEAL	1				
21	98507-06025	SCREW, PAN HEAD	3				
22	92907-06600	WASHER, PLATE	3				
23	3XL-E4453-00	JOINT, AIR CLEANER 1	1				
24	29N-14437-00	DUCT	1				
25	3BS-F1747-00	DAMPER	1				
26	90159-06084	SCREW, WITH WASHER	2				
27	90460-49058	CLAMP, HOSE	1				

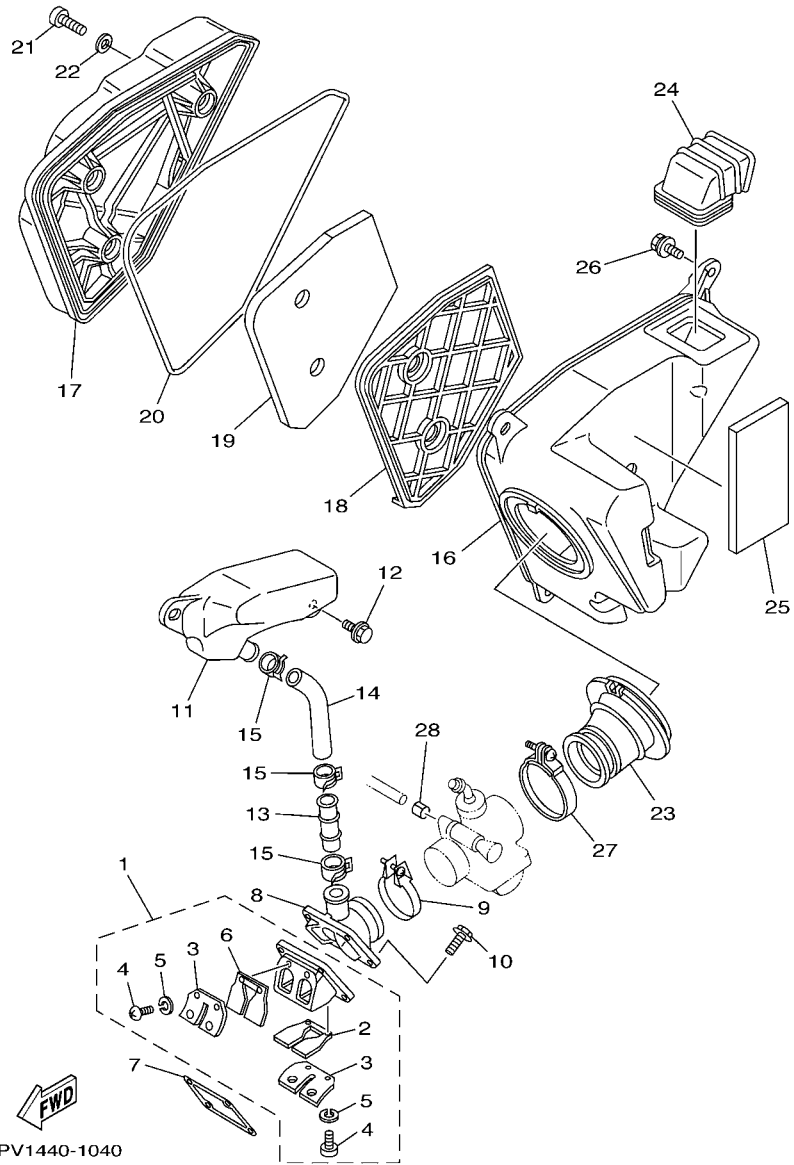
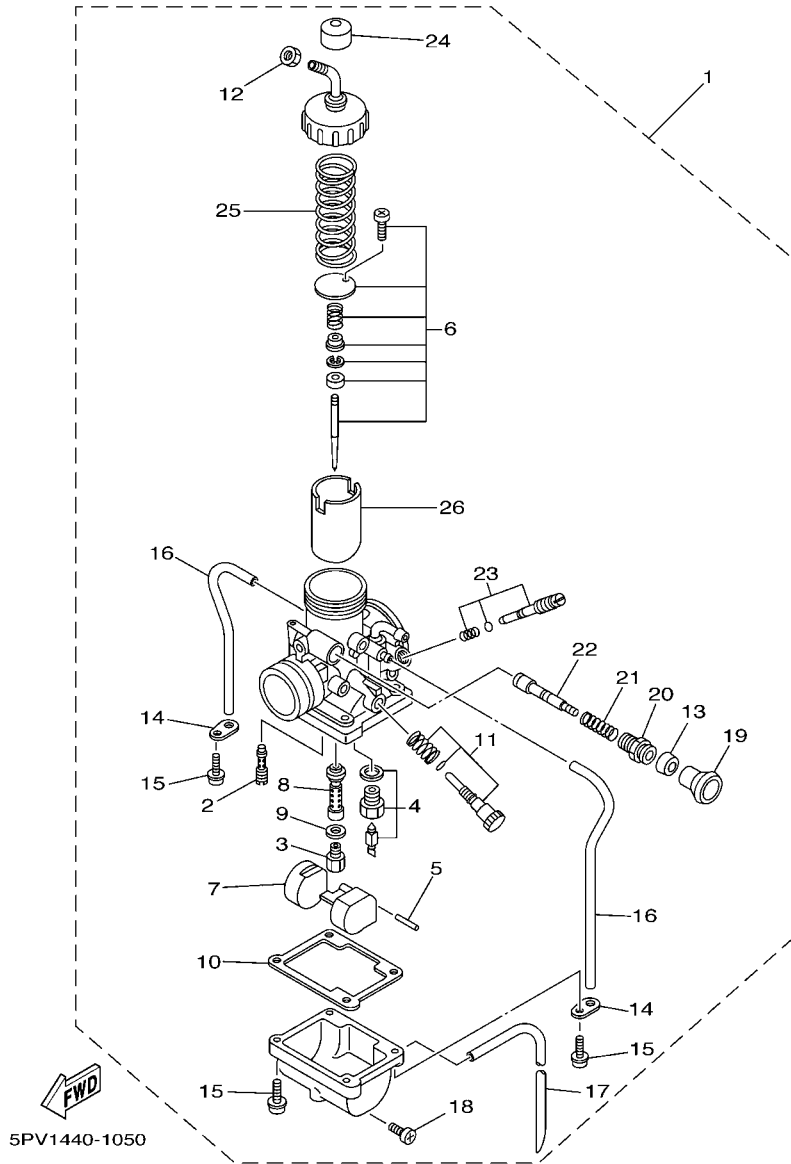


FIG. 4 INTAKE

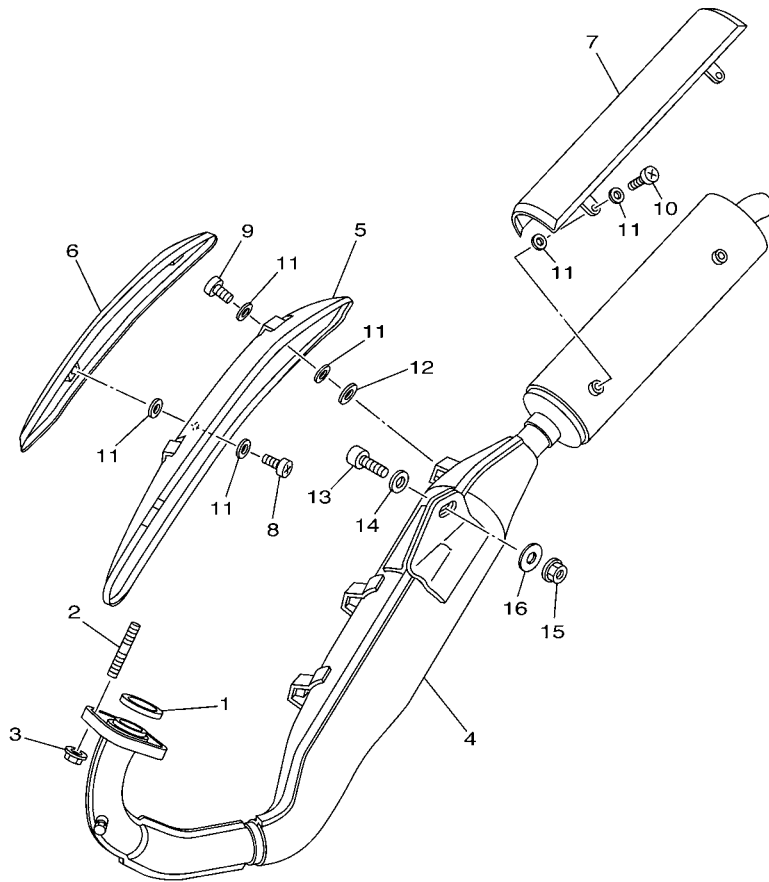
REF. NO.	PART NO.	DESCRIPTION	5PV2				REMARKS
28	90468-02033	CLIP	1				



5PV1440-1050

FIG. 5 CARBURETOR

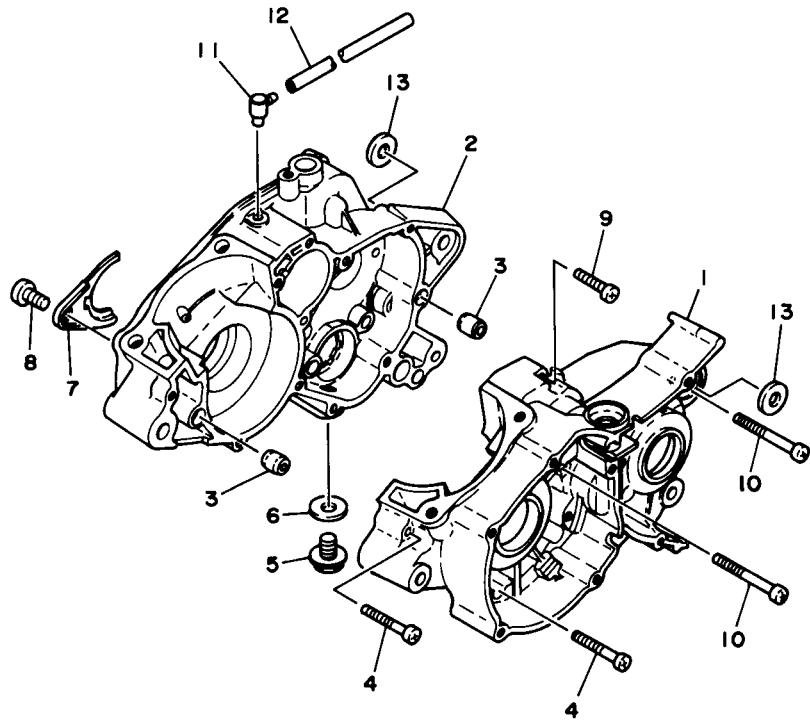
REF. NO.	PART NO.	DESCRIPTION	SPV2				REMARKS
1	5PV-E4101-00	CARBURETOR ASSY 1	1				
2	1NT-14142-22	.JET, PILOT (# 22.5)	1				
3	137-14143-39	.JET, MAIN (#195)	1				
4	1TT-14107-25	.NEEDLE VALVE SET	1				
5	127-14186-00	.PIN, FLOAT	1				
6	5PV-1490J-00	.NEEDLE SET	1				
7	314-14185-00	.FLOAT	1				
8	5PV-14141-38	.NOZZLE, MAIN	1				
9	137-14153-00	.WASHER, MAIN JET	1				
10	304-14184-00	.GASKET, FLOAT CHAMBER	1				
11	31J-14103-00	.THROTTLE SCREW SET	1				
12	802-14161-00	.NUT, CABLE ADJUSTING	1				
13	353-14138-00	.CLIP, PLUNGER	1				
14	132-14146-00	.PLATE	2				
15	97607-04116	.SCREW, WITH WASHER	4				
16	183-14197-00	.PIPE	2				
17	3RR-14193-10	.PIPE	1				
18	12R-14191-00	.PLUG, DRAIN	1				
19	132-14173-00	.COVER, PLUNGER CAP	1				
20	152-14174-00	.CAP, PLUNGER	1				
21	156-14135-00	.SPRING, PLUNGER	1				
22	5PV-14171-00	.PLUNGER, STARTER	1				
23	10W-14104-00	.AIR SCREW SET	1				
24	3X3-14169-00	.CAP	1				
25	248-14131-00	.SPRING, THROTTLE VALVE	1				
26	3RR-1411F-20	.VALVE, THROTTLE 2	1				



5PV2440-D060

FIG. 6 EXHAUST

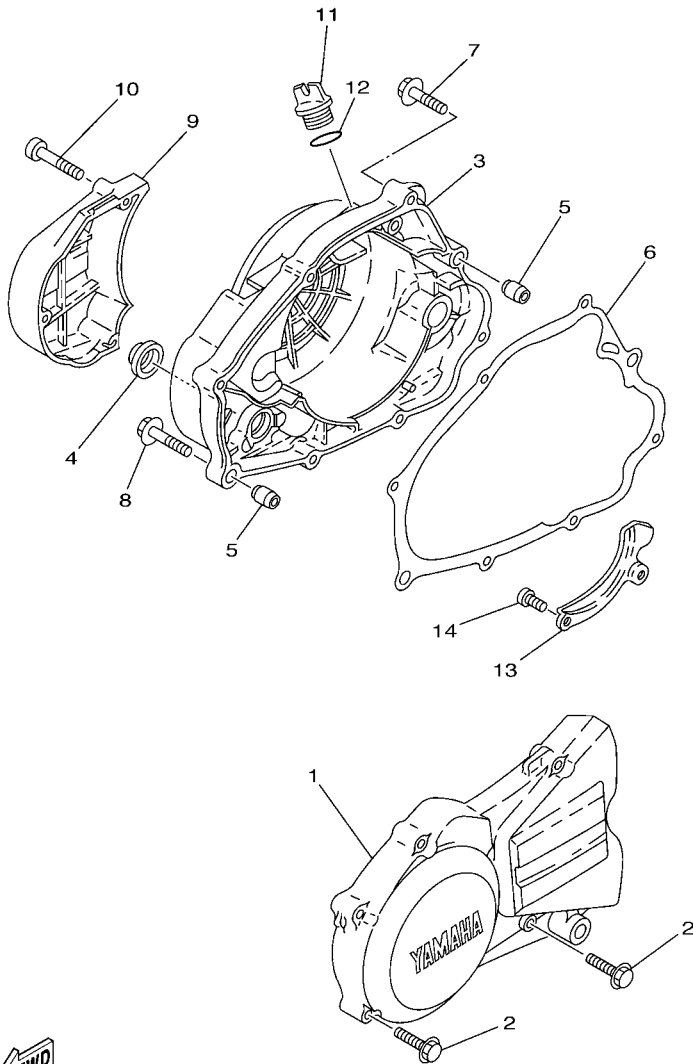
REF. NO.	PART NO.	DESCRIPTION	5PV2				REMARKS
1	3PA-14613-10	GASKET, EXHAUST PIPE	1				
2	90116-08166	BOLT, STUD	2				
3	95707-08500	NUT, FLANGE	2				
4	5PV-E4711-01	MUFFLER 1	1				
5	5PV-E4718-00	PROTECTOR, MUFFLER 1	1				
6	5PV-E4728-00	PROTECTOR, MUFFLER 2	1				
7	5PV-E4758-00	PROTECTOR, SILENCER	1				
8	98907-06010	SCREW, BIND	3				
9	98980-06010	SCREW, BIND	2				
10	98907-06008	SCREW, BIND	4				
11	90201-05013	WASHER, PLATE	18				
12	90201-06055	WASHER, PLATE	3				
13	91314-10035	BOLT	1				
14	92907-10600	WASHER, PLATE	1				
15	95707-10500	NUT, FLANGE	1				
16	90201-101J1	WASHER, PLATE	1				



  
55K400-5070

**FIG. 7 CRANKCASE**

REF. NO.	PART NO.	DESCRIPTION	SPV2				REMARKS
1	55K-15111-00	CRANKCASE 1	1				
2	55K-15121-00	CRANKCASE 2	1				
3	99530-12016	PIN, DOWEL	2				
4	98507-06045	SCREW, PAN HEAD	6				
5	90340-12059	PLUG, STRAIGHT SCREW	1				
6	90430-12227	GASKET	1				
7	55K-15128-00	HOLDER	1				
8	98507-08010	SCREW, PAN HEAD	1				
9	98507-06030	SCREW, PAN HEAD	1				
10	98507-06060	SCREW, PAN HEAD	5				
11	120-15371-00	BREATHER	1				
12	90446-07009	HOSE	1				
13	90201-122F8	WASHER, PLATE	2				

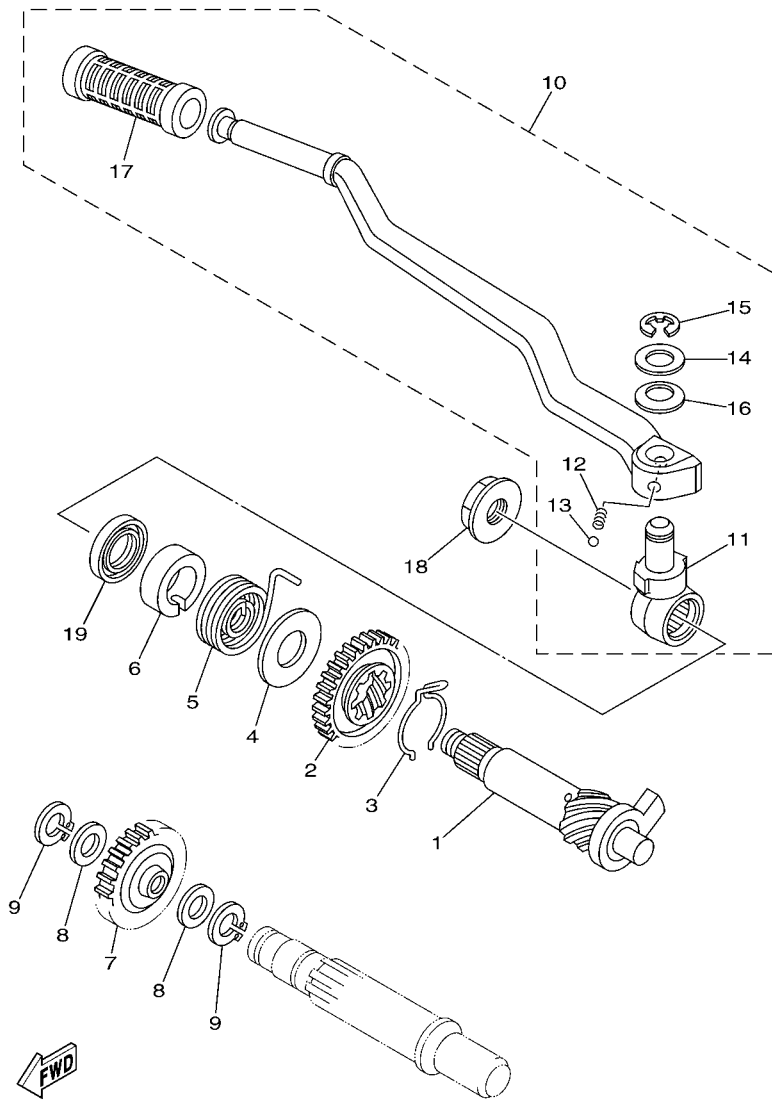


5PV1440-1080

FIG. 8 CRANKCASE COVER 1

REF. NO.	PART NO.	DESCRIPTION	5PV2				REMARKS
1	55K-15411-00	COVER, CRANKCASE 1	1				
2	95027-06030	BOLT, FLANGE	6				
3	55K-15421-10	COVER, CRANKCASE 2	1				
4	3Y1-15361-00	GAUGE, LEVEL	1				
5	99530-10114	PIN, DOWEL	2				
6	55K-15451-01	GASKET, CRANKCASE COVER 1	1				
7	95027-06030	BOLT, FLANGE	6				
8	95027-06035	BOLT, FLANGE	2				
9	55K-15416-10	COVER, OIL PUMP	1				
10	95027-06040	BOLT, FLANGE	2				
11	3Y1-15363-00	PLUG, OIL	1				
12	93210-19123	O-RING	1				
13	2RH-15492-00	COVER	1				
14	90157-06071	SCREW, PAN HEAD	2				

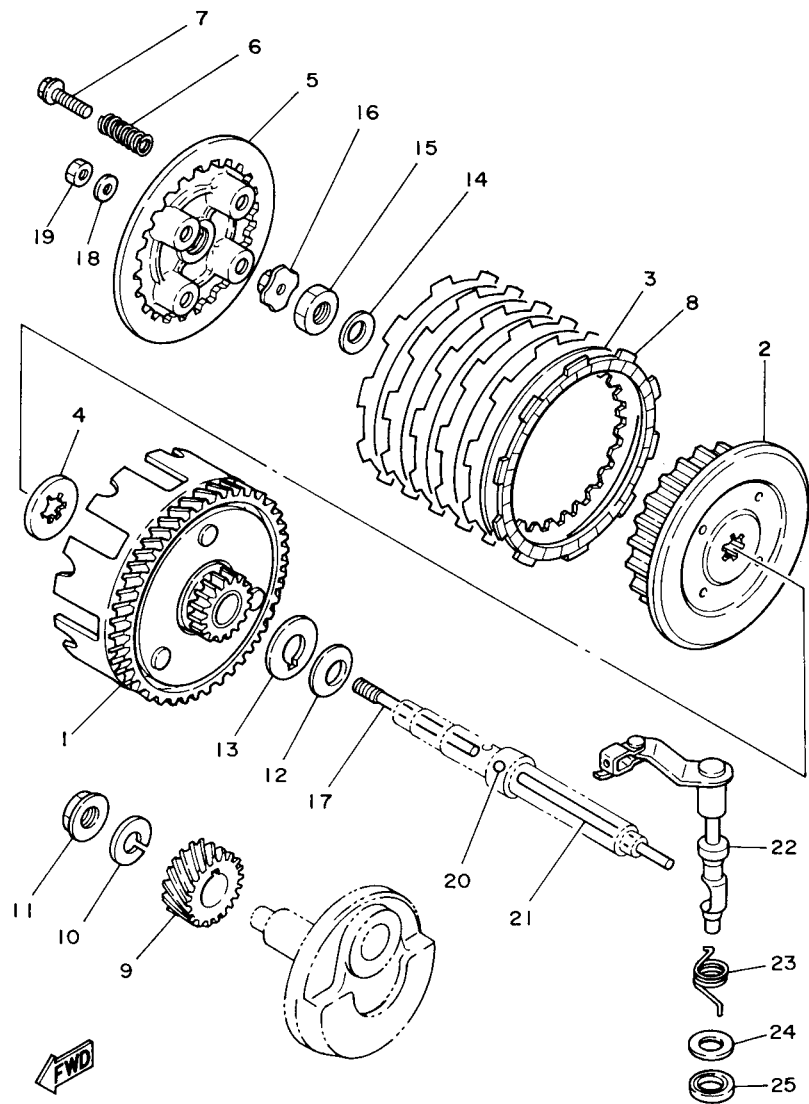




3XL3440-0090

FIG. 9 STARTER

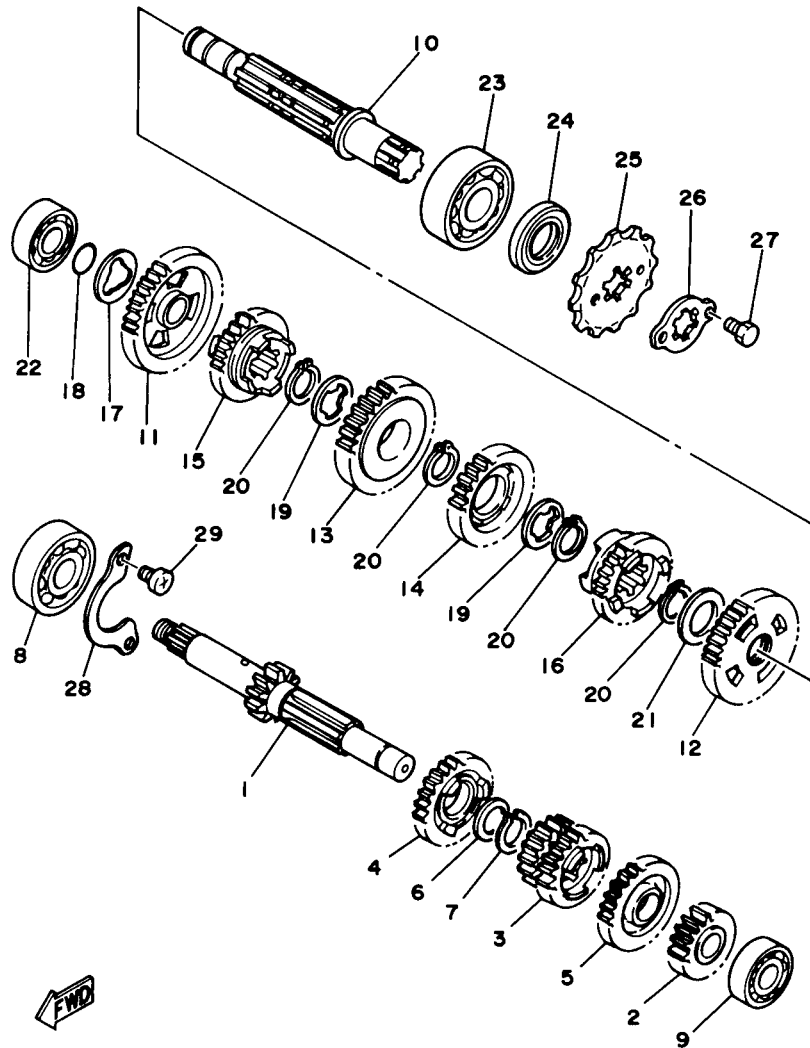
REF. NO.	PART NO.	DESCRIPTION	SPV2				REMARKS
1	55K-15660-00	KICK AXLE ASSY	1				
2	10V-15641-00	GEAR, KICK (23T)	1				
3	90468-26048	CLIP	1				
4	90201-202F9	WASHER, PLATE	1				
5	90508-26556	SPRING, TORSION	1				
6	10V-15666-00	SPACER	1				
7	10V-15651-00	GEAR, KICK IDLE (29T)	1				
8	90201-154E8	WASHER, PLATE (T=1.0)	2				
9	99009-15400	CIRCLIP	2				
10	3XL-E5620-00	KICK CRANK ASSY	1				
11	3XL-E5621-00	.BOSS, KICK CRANK	1				
12	90501-13866	.SPRING, COMPRESSION	1				
13	93507-32819	.BALL	1				
14	90201-127J6	.WASHER, PLATE	1				
15	93430-08007	.CIRCLIP	1				
16	90208-12040	.WASHER, CONICAL SPRING	1				
17	2N9-E5618-00	.COVER, KICK LEVER	1				
18	90179-12659	NUT	1				
19	93109-20014	OIL SEAL	1				



3XL2440-3100

FIG. 10 CLUTCH

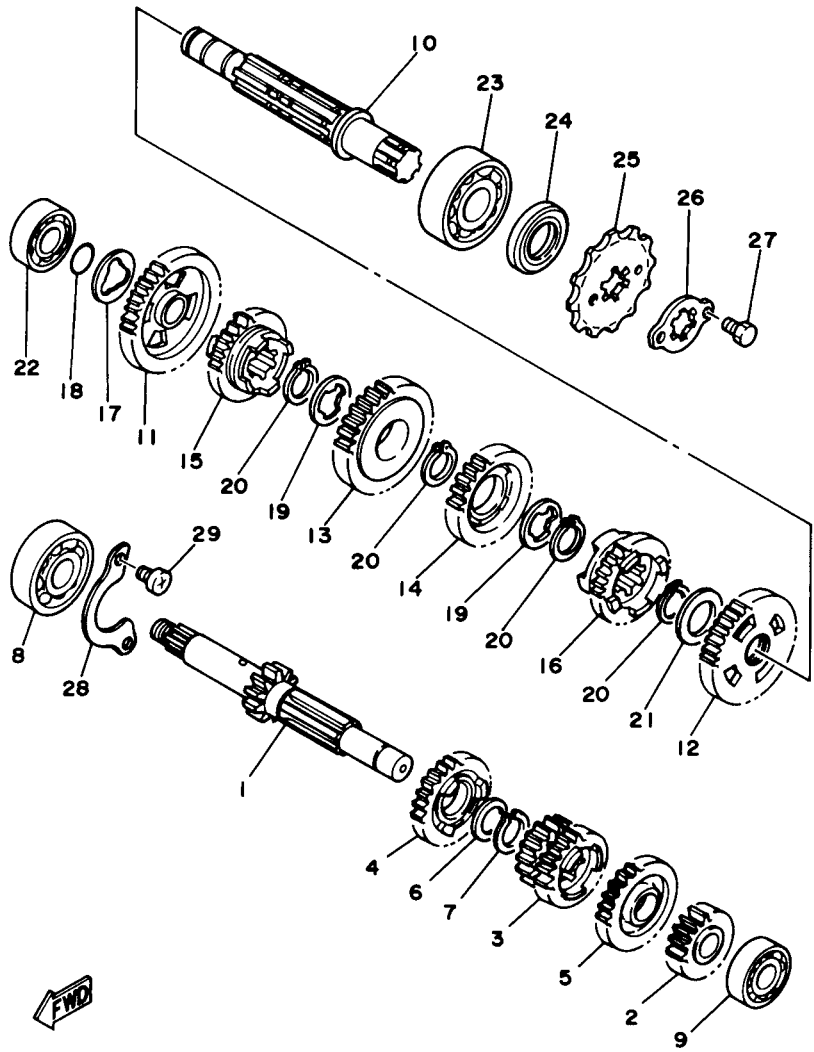
REF. NO.	PART NO.	DESCRIPTION	SPV2				REMARKS
1	55K-16150-00	PRIMARY DRIVEN GEAR COMP.(71T)	1				
2	4Y2-16371-01	BOSS, CLUTCH	1				
3	1V1-16324-00	PLATE, CLUTCH 1	5				
4	4V0-16154-00	PLATE, THRUST 1	1				
5	10V-16351-00	PLATE, PRESSURE 1	1				
6	90501-20568	SPRING, COMPRESSION	4				
7	90119-05001	BOLT, WITH WASHER	4				
8	4V0-16321-00	PLATE, FRICTION	6				
9	2A6-16111-00	GEAR, PRIMARY DRIVE (22T)	1				
10	90204-12007	WASHER, SPRING	1				
11	90179-12659	NUT	1				
12	90208-17032	WASHER, CONICAL SPRING	1				
13	10V-16154-00	PLATE, THRUST 1	1				
14	90208-12015	WASHER, CONICAL SPRING	1				
15	90170-12060	NUT	1				
16	1W1-16358-01	PLATE, PUSH	1				
17	1W1-16356-02	ROD, PUSH 1	1				
18	92907-06200	WASHER	1				
19	95307-06600	NUT	1				
20	93503-16003	BALL	1				
21	2X3-16357-00	ROD, PUSH 2	1				
22	55K-16380-01	PUSH LEVER ASSY	1				
23	90508-20555	SPRING, TORSION	1				
24	90201-14217	WASHER, PLATE	1				
25	93104-14004	OIL SEAL	1				



36S440-8110

FIG. 11 TRANSMISSION

REF. NO.	PART NO.	DESCRIPTION	SPV2				REMARKS
1	55K-17411-01	AXLE, MAIN (12T)	1				
2	55K-17121-00	GEAR, 2ND PINION (16T)	1				
3	10W-17131-01	GEAR, 3RD/4TH PINION (19T/21T)	1				
4	10W-17151-02	GEAR, 5TH PINION (23T)	1				
5	55G-17161-00	GEAR, 6TH PINION (24T)	1				
6	90201-20266	WASHER, PLATE (T=1.0)	1				
7	93410-20038	CIRCLIP	1				
8	93306-30304	BEARING	1				
9	93306-20201	BEARING	1				
10	55K-17421-00	AXLE, DRIVE	1				
11	10W-17211-00	GEAR, 1ST WHEEL (34T)	1				
12	10W-17221-00	GEAR, 2ND WHEEL (29T)	1				
13	10W-17231-00	GEAR, 3RD WHEEL (26T)	1				
14	10W-17241-01	GEAR, 4TH WHEEL (24T)	1				
15	10W-17251-01	GEAR, 5TH WHEEL (23T)	1				
16	10W-17261-00	GEAR, 6TH WHEEL (22T)	1				
17	90209-15270	WASHER	1				
18	93210-12095	O-RING	1				
19	90209-18135	WASHER	2				
20	93410-22039	CIRCLIP	4				
21	90201-22555	WASHER, PLATE	1				
22	93306-20201	BEARING	1				
23	93306-30401	BEARING	1				
24	93102-20143	OIL SEAL	1				
25	93822-16095	SPROCKET,DRIVE (16T)	1				
26	5H0-17456-00	HOLDER, SPROCKET	1				
27	97027-06010	BOLT	2				

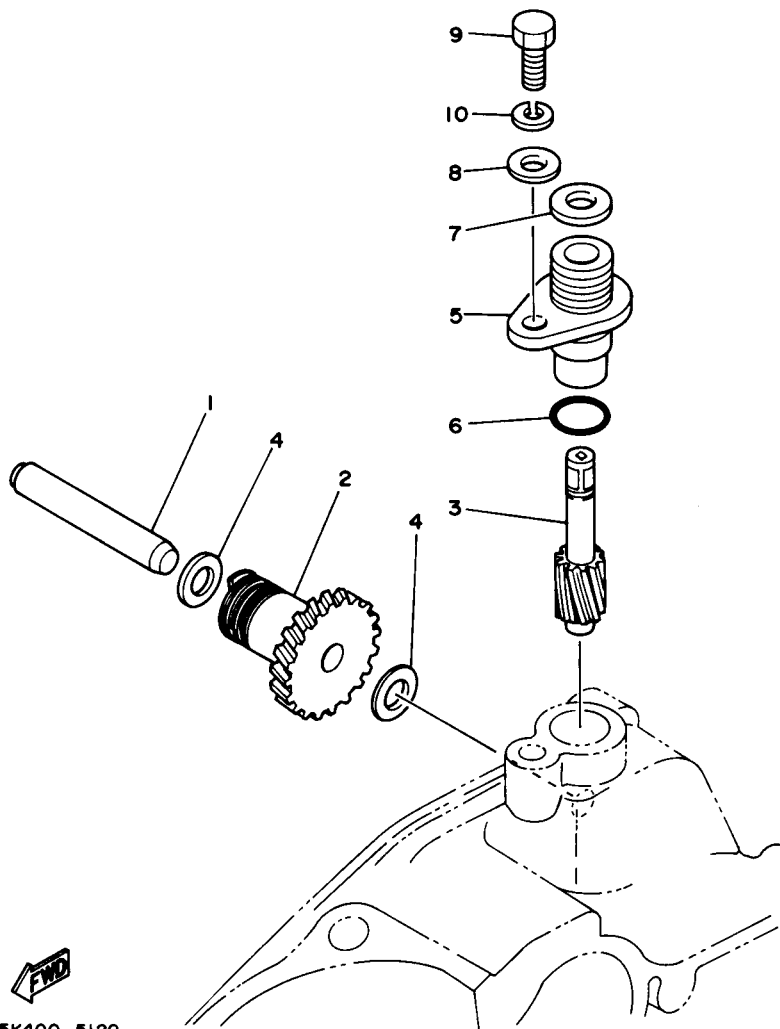


36S440-8110

FIG. 11 TRANSMISSION

REF. NO.	PART NO.	DESCRIPTION	SPVZ					REMARKS
28	55K-17471-00	PLATE, COVER	1					
29	90157-06071	SCREW, PAN HEAD	2					

FIG. 12 TACHOMETER GEAR



 55K400-5120

REF. NO.	PART NO.	DESCRIPTION	SPV2				REMARKS
1	17F-17861-00	AXLE, DRIVE GEAR	1				
2	55K-17831-01	GEAR, DRIVE	1				
3	17F-17841-00	GEAR, DRIVEN	1				
4	90201-087H6	WASHER, PLATE	2				
5	4L0-17811-00	HOUSING, TACHOMETER GEAR	1				
6	93210-12327	O-RING	1				
7	4L0-17818-00	GASKET	1				
8	90201-06674	WASHER, PLATE	1				
9	97007-06012	BOLT	1				
10	92907-06100	WASHER, SPRING	1				

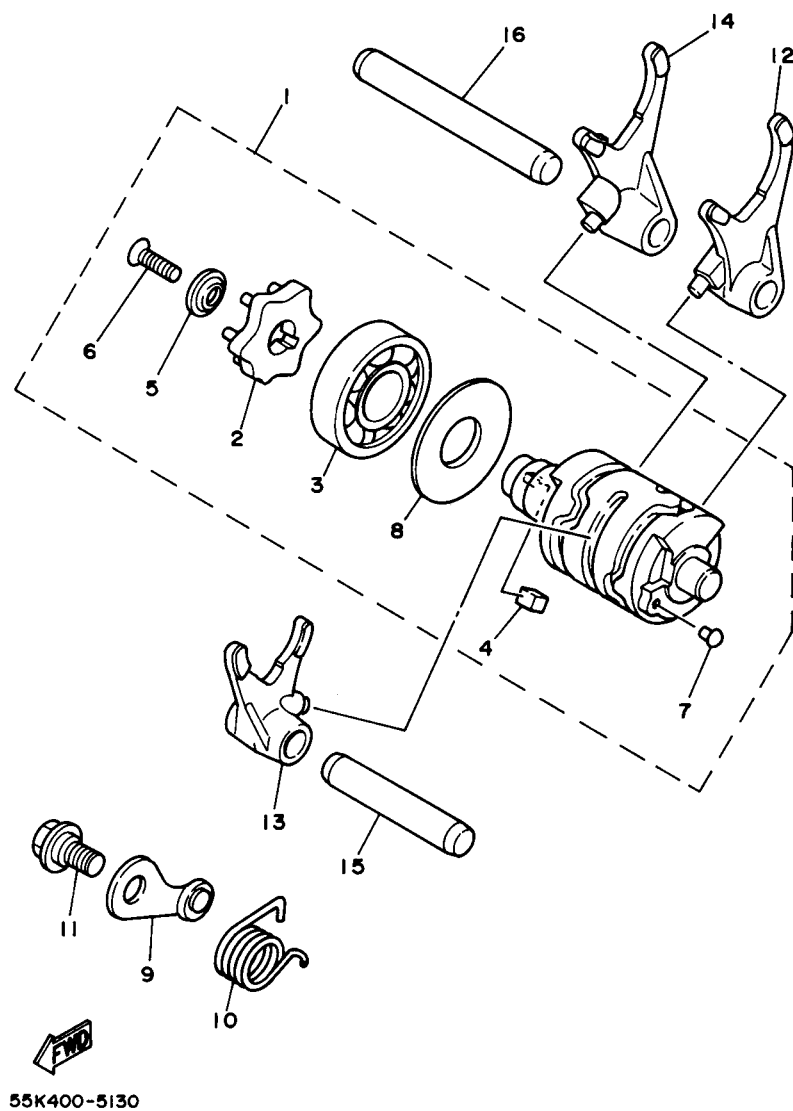
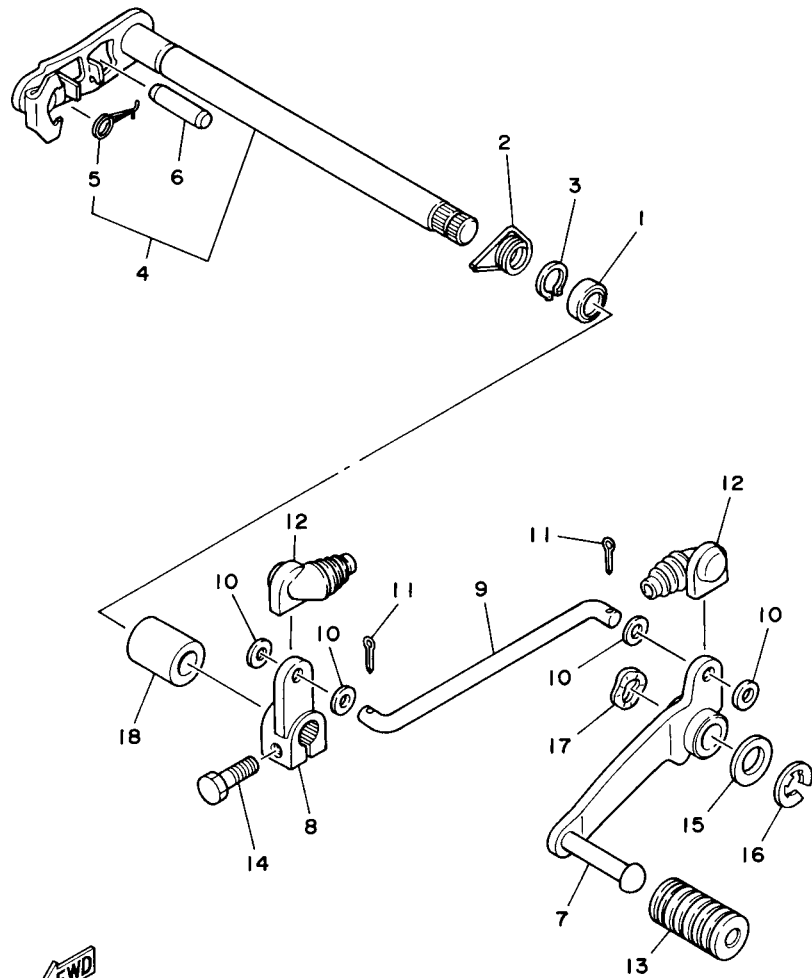


FIG. 13 SHIFT CAM & FORK

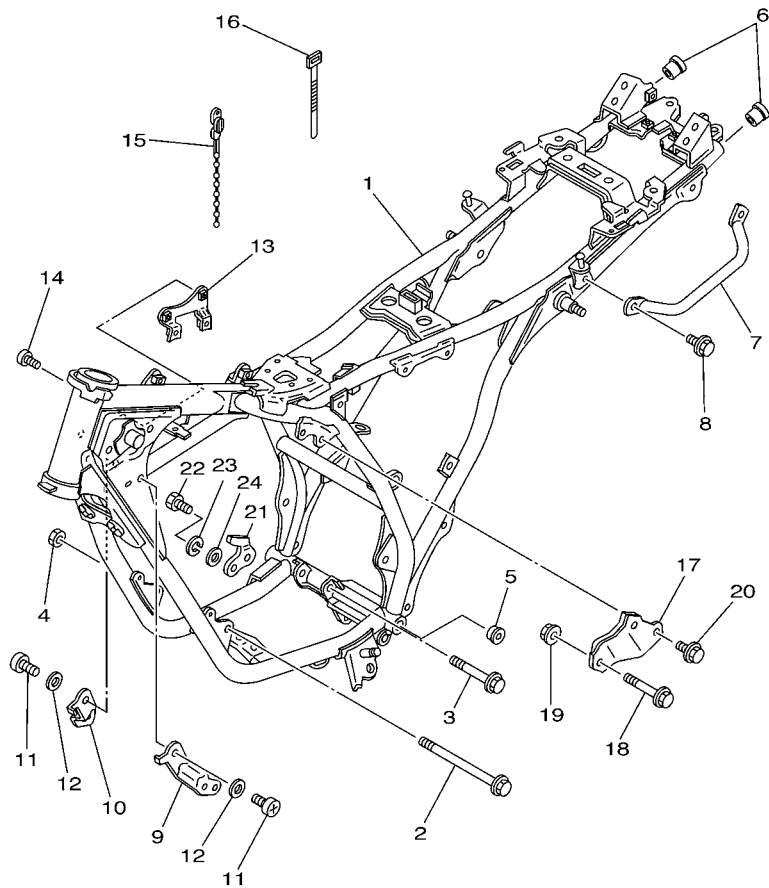
REF. NO.	PART NO.	DESCRIPTION	SPV2				REMARKS
1	55G-18540-00	SHIFT CAM ASSY	1				
2	5R2-18185-00	.SEGMENT	1				
3	93306-00422	.BEARING	1				
4	90282-04036	.KEY, STRAIGHT	1				
5	3R4-18561-00	.PLATE, SIDE 1	1				
6	90151-05023	.SCREW, COUNTERSUNK	1				
7	136-18542-00	.POINT, NEUTRAL	1				
8	90201-203F0	.WASHER, PLATE	1				
9	10V-18140-00	STOPPER LEVER ASSY	1				
10	90508-26561	SPRING, TORSION	1				
11	90109-063F7	BOLT	1				
12	55K-18511-01	FORK, SHIFT 1	1				
13	55K-18512-00	FORK, SHIFT 2	1				
14	55K-18513-00	FORK, SHIFT 3	1				
15	55K-18531-00	BAR, SHIFT FORK GUIDE 1	1				
16	55K-18535-00	BAR, SHIFT FORK GUIDE 2	1				



3BS440-8140

FIG. 14 SHIFT SHAFT

REF. NO.	PART NO.	DESCRIPTION	SPV2				REMARKS
1	93101-12173	OIL SEAL	1				
2	90508-32642	SPRING, TORSION	1				
3	99001-10600	CIRCLIP	1				
4	55K-18101-05	SHIFT SHAFT ASSY	1				
5	90508-10514	.SPRING, TORSION	1				
6	93608-30152	PIN, DOWEL	1				
7	3XL-E8111-00	PEDAL, SHIFT	1				
8	3XL-E8112-00	ARM, SHIFT	1				
9	3XL-E8115-00	ROD, SHIFT	1				
10	92907-06200	WASHER	4				
11	91401-20012	PIN, COTTER	2				
12	5R2-18154-00	COVER, DUST	2				
13	5H3-E8113-00	COVER, SHIFT PEDAL	1				
14	97027-06020	BOLT	1				
15	90201-12749	WASHER, PLATE	1				
16	99009-12400	CIRCLIP	1				
17	90206-12074	WASHER, WAVE	1				
18	90560-12191	SPACER	1				

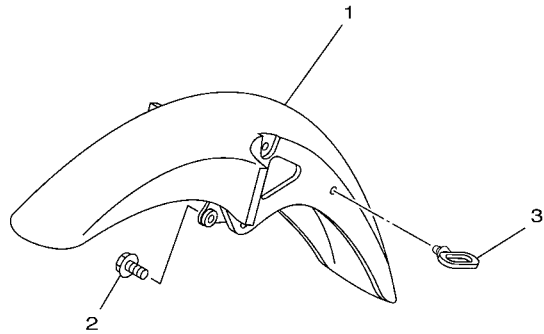
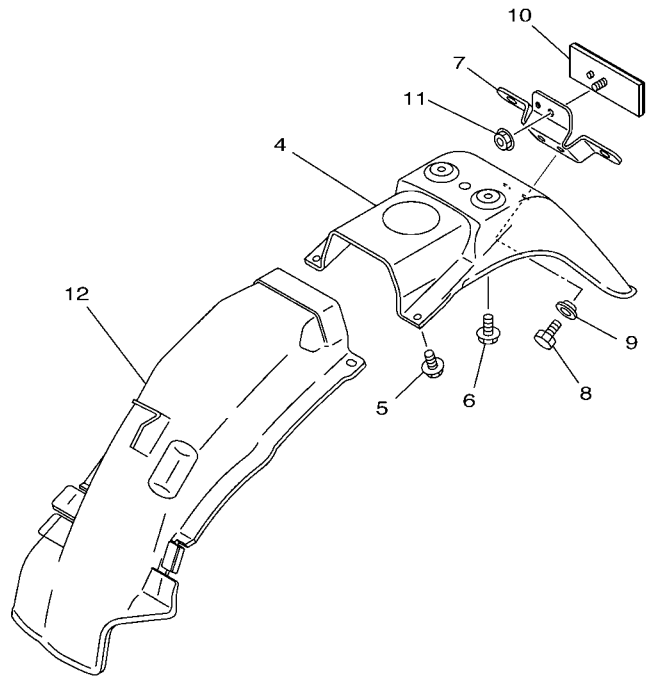


3XL3440-0150

FIG. 15 FRAME

REF. NO.	PART NO.	DESCRIPTION	SPV2				REMARKS
1	5PV-F1110-00-33	FRAME COMP.	1				YB
2	90105-08045	BOLT, FLANGE	1				
3	90105-08721	BOLT, FLANGE	1				
4	90185-08054	NUT, SELF-LOCKING	1				
5	90338-18122	PLUG	2				
6	90338-16148	PLUG	2				
7	55F-F1165-00	HANDLE, STANDING	1				
8	95807-08012	BOLT, FLANGE	2				
9	55F-F113J-00	BRACKET, REFLECTOR 1	1				
10	55F-F113K-00	BRACKET, REFLECTOR 2	1				
11	98507-06012	SCREW, PAN HEAD	2				
12	92907-06600	WASHER, PLATE	2				
13	55F-F1359-00	BRACKET, COIL	1				
14	98907-06012	SCREW, BIND	2				
15	90464-20031	CLAMP	3				
16	437-83936-01	BAND, SWITCH CORD	1				
17	5PV-F1315-00	STAY, ENGINE 2	1				
18	95817-08040	BOLT, FLANGE	1				
19	95707-08500	NUT, FLANGE	1				
20	95817-08016	BOLT, FLANGE	2				
21	3XL-F741G-00	STOPPER, KICK CRANK	1				
22	97027-06020	BOLT	2				
23	92907-06100	WASHER, SPRING	2				
24	92907-06600	WASHER, PLATE	2				





5PV1440-1160

FIG. 16 FENDER

REF. NO.	PART NO.	DESCRIPTION	5PV2				REMARKS
1	55F-F1510-10-P4	FRONT FENDER COMP.	1				UR VRC1
	55F-F1510-10-P8	FRONT FENDER COMP.	1				UR DPBMC
	55F-F1510-10-33	FRONT FENDER COMP.	1				UR YB
2	95817-06016	BOLT, FLANGE	4				
3	15K-F1518-00	HOLDER, CABLE	1				
4	55F-F1611-01	FENDER, REAR	1				
5	90119-06044	BOLT, WITH WASHER	2				
6	90119-06114	BOLT, WITH WASHER	2				
7	4HF-F1685-00	BRACKET, LICENSE	1				
8	97007-06016	BOLT	2				
9	90387-06820	COLLAR	2				
10	4VH-H5130-00	REAR REFLECTOR ASSY	1				
11	95707-05500	NUT, FLANGE	1				
12	55F-F1629-00	GUARD, MUD	1				

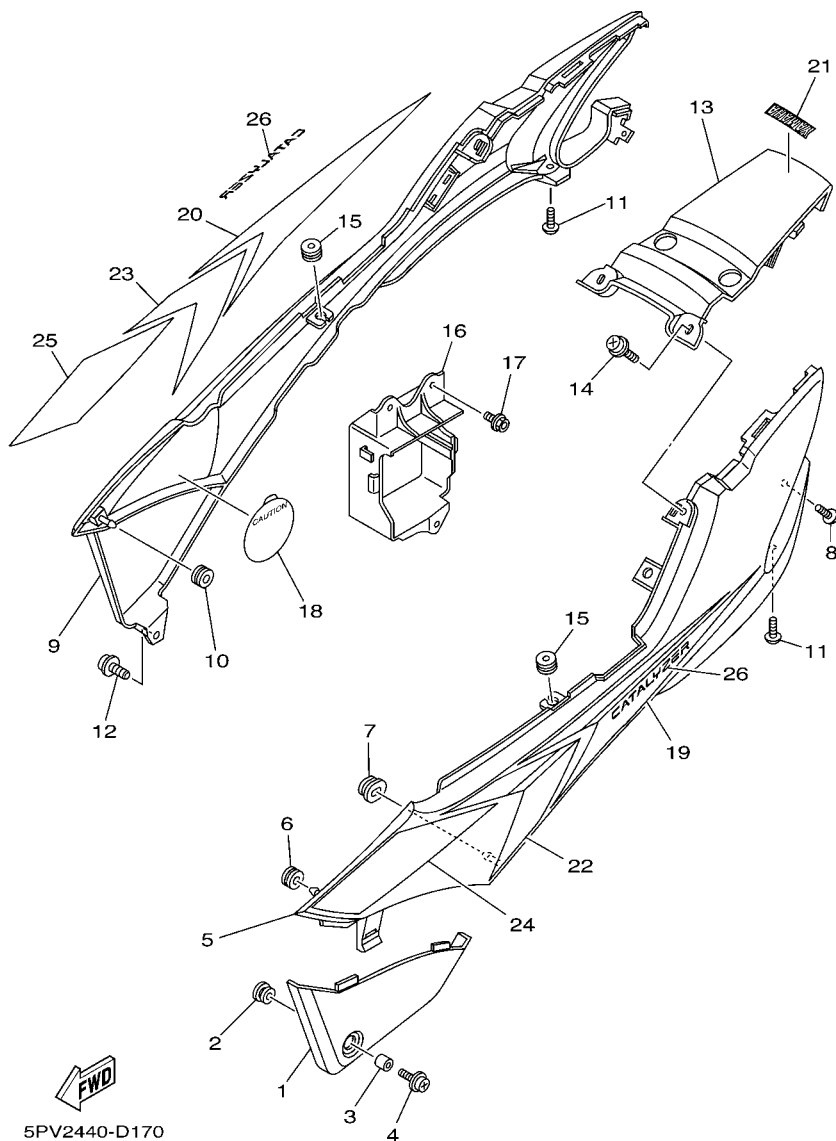


FIG. 17 SIDE COVER

REF. NO.	PART NO.	DESCRIPTION	5PV2				REMARKS
1	5PV-F1711-00-P1	COVER, SIDE 1	1				BWC1
2	90480-13398	GROMMET	1				
3	90387-060G7	COLLAR	1				
4	90159-06067	SCREW, WITH WASHER	1				
5	5PV-F1731-00-P1	COVER, SIDE 3	1				BWC1
6	90480-13804	GROMMET	1				
7	90480-01141	GROMMET	1				
8	97707-50016	SCREW, TAPPING	1				
9	5PV-F1741-00-P1	COVER, SIDE 4	1				BWC1
10	90480-13804	GROMMET	1				
11	97707-50016	SCREW, TAPPING	2				
12	90159-06067	SCREW, WITH WASHER	1				
13	5PV-F171E-00-P1	COVER, SIDE 5	1				BWC1
14	90159-06067	SCREW, WITH WASHER	2				
15	90480-12053	GROMMET	2				
16	55F-F177G-00	BOX, BATTERY	1				
17	90119-06079	BOLT, WITH WASHER	3				
18	55F-F1785-00	EMBLEM 5	1				
19	5PV-F173E-30	GRAPHIC 1	1				UR FOR VRC1
	5PV-F173E-40	GRAPHIC 1	1				UR FOR DPBMC
	5PV-F173E-50	GRAPHIC 1	1				UR FOR YB
20	5PV-F173F-30	GRAPHIC 2	1				UR FOR VRC1
	5PV-F173F-40	GRAPHIC 2	1				UR FOR DPBMC
	5PV-F173F-50	GRAPHIC 2	1				UR FOR YB
21	99244-00080	EMBLEM, YAMAHA	1				
22	5PV-F174G-00	GRAPHIC 3	1				UR FOR VRC1
	5PV-F174G-10	GRAPHIC 3	1				UR FOR DPBMC

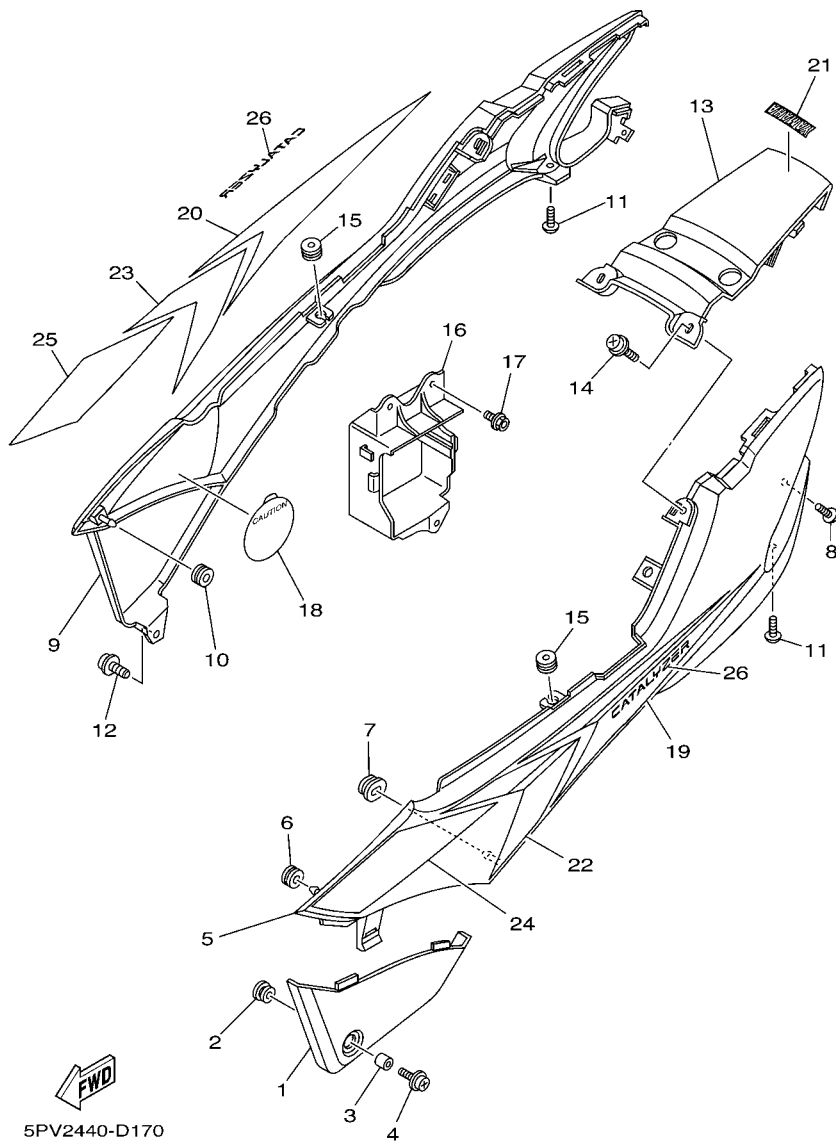
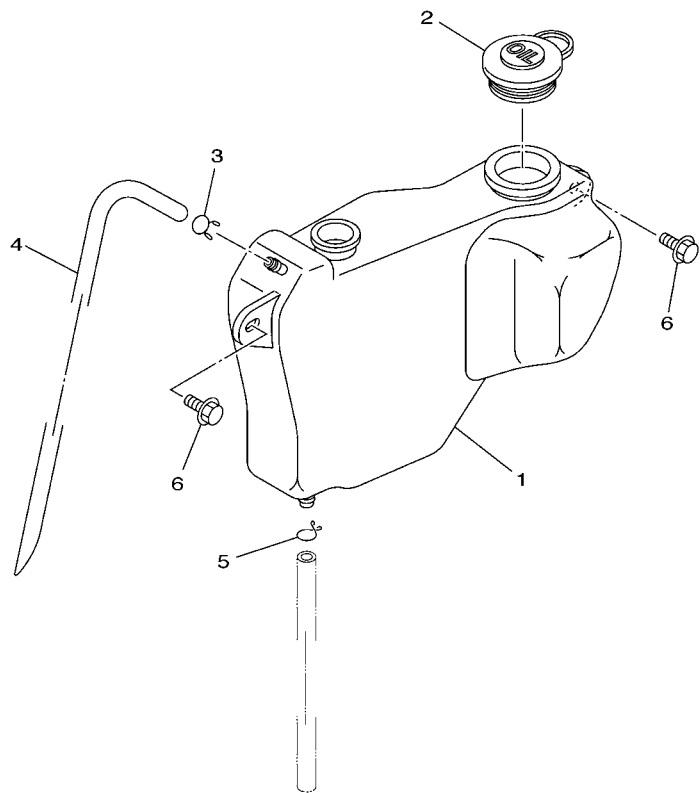


FIG. 17 SIDE COVER

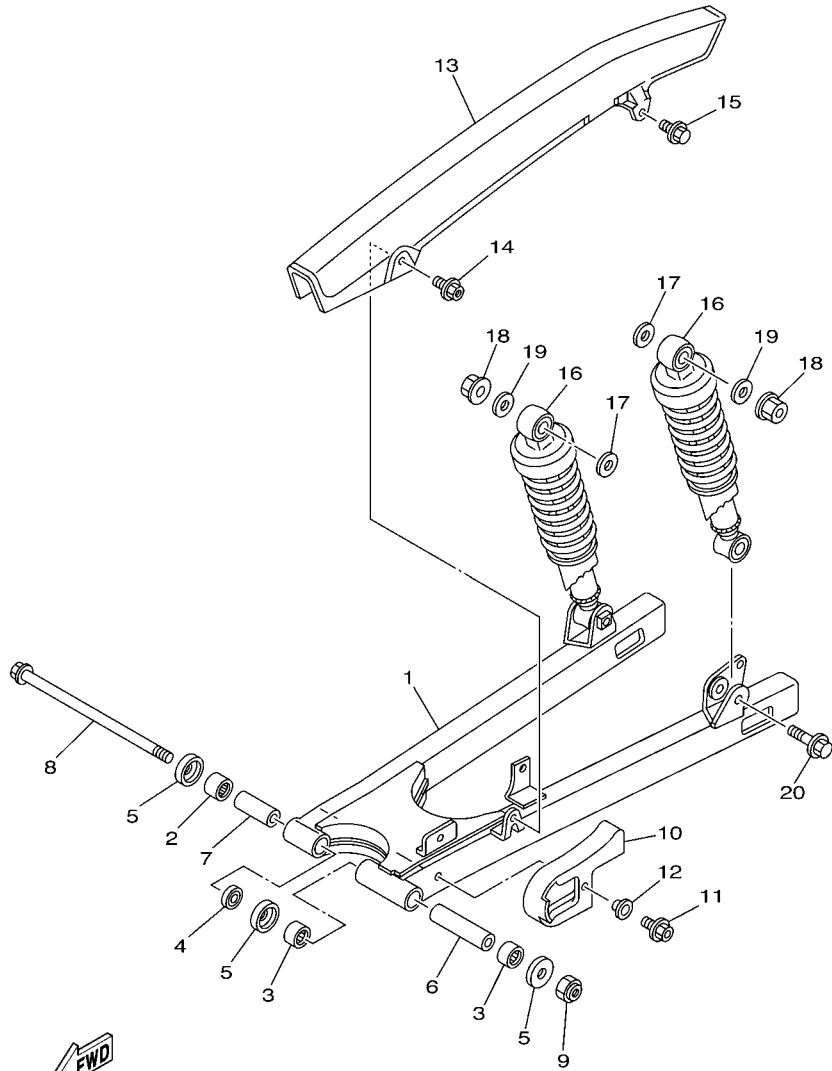
REF. NO.	PART NO.	DESCRIPTION	5PV2			REMARKS
22	5PV-F174G-20	GRAPHIC 3	1			UR FOR YB
23	5PV-F174H-00	GRAPHIC 4	1			UR FOR VRC1
	5PV-F174H-10	GRAPHIC 4	1			UR FOR DPBMC
	5PV-F174H-20	GRAPHIC 4	1			UR FOR YB
24	5PV-F174J-00	GRAPHIC 5	1			UR FOR VRC1
	5PV-F174J-10	GRAPHIC 5	1			UR FOR DPBMC
	5PV-F174J-20	GRAPHIC 5	1			UR FOR YB
25	5PV-F174K-00	GRAPHIC 6	1			UR FOR VRC1
	5PV-F174K-10	GRAPHIC 6	1			UR FOR DPBMC
	5PV-F174K-20	GRAPHIC 6	1			UR FOR YB
26	5PV-F173X-00	GRAPHIC 7	2			UR FOR VRC1
	5PV-F173X-10	GRAPHIC 7	2			UR FOR DPBMC
	5PV-F173X-20	GRAPHIC 7	2			UR FOR YB

FIG. 18 OIL TANK



REF. NO.	PART NO.	DESCRIPTION	5PV2				REMARKS
1	55F-F1751-00	TANK, OIL	1				
2	10V-21771-00	BODY, CAP	1				
3	90467-08003	CLIP	1				
4	3XL-F1745-00	PIPE, OIL TANK BREATHER	1				
5	90467-08075	CLIP	1				
6	90119-06044	BOLT, WITH WASHER	2				

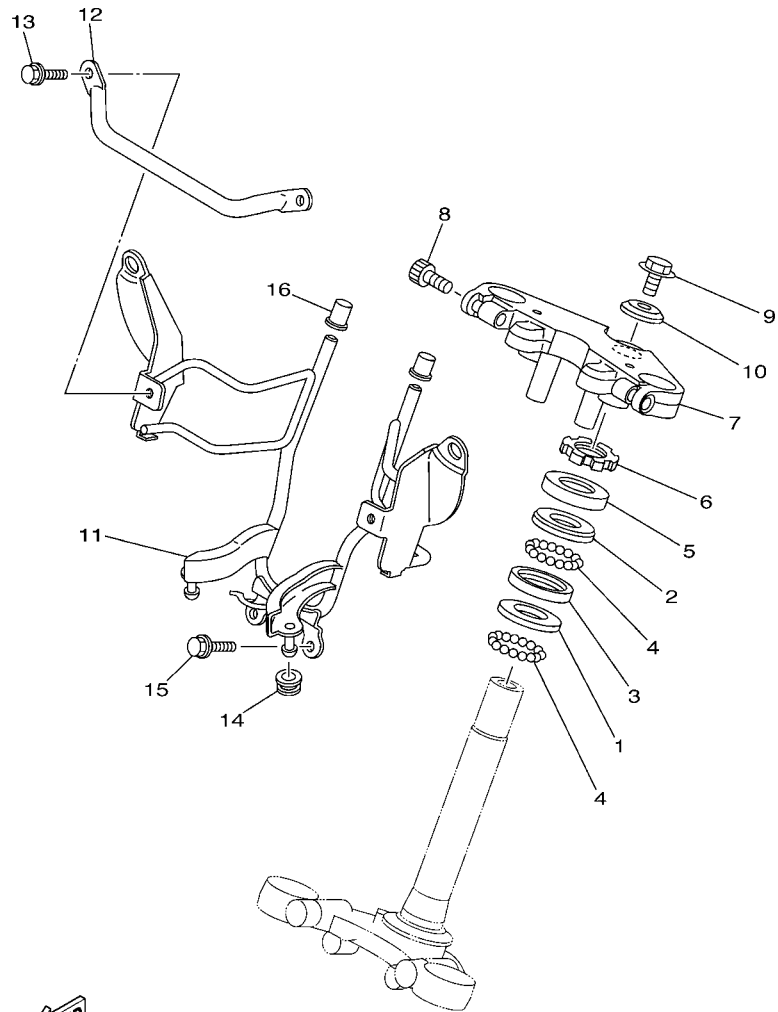
  
5PV1440-1180



5PV2440-D190

FIG. 19 REAR ARM & SUSPENSION

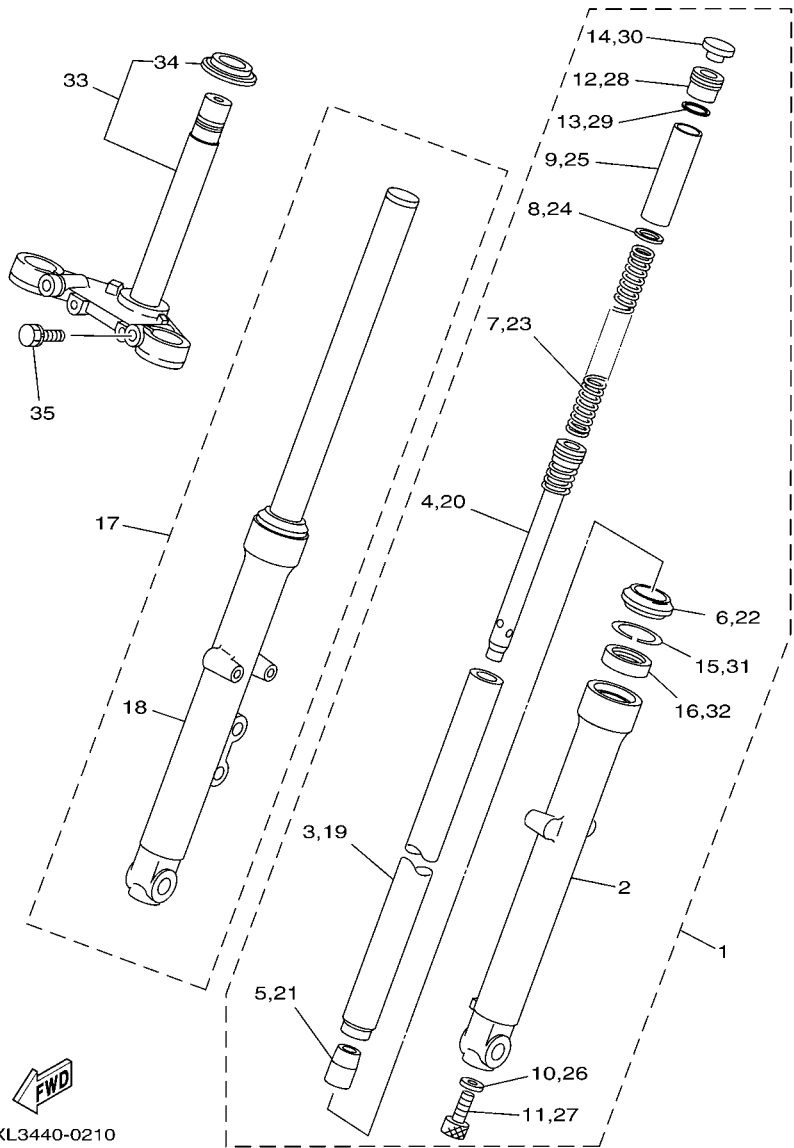
REF. NO.	PART NO.	DESCRIPTION	5PV2				REMARKS
1	5PV-F2110-00-WN	REAR ARM COMP.	1				CIS
2	93317-218Y4	BEARING	1				
3	93315-21813	BEARING	2				
4	93109-18824	OIL SEAL	1				
5	55K-22129-00	COVER, THRUST 2	3				
6	90387-121G8	COLLAR	1				
7	90380-12121	BUSH, SOLID	1				
8	55K-22141-00	SHAFT, PIVOT	1				
9	95607-12200	NUT, SELF-LOCKING	1				
10	3XL-F2151-00	SEAL, GUARD	1				
11	90119-05062	BOLT, WITH WASHER	1				
12	90209-06187	WASHER	1				
13	55F-F2311-00	CASE, CHAIN	1				
14	90119-06117	BOLT, WITH WASHER	1				
15	90119-06056	BOLT, WITH WASHER	1				
16	3XL-F2210-00	SHOCK ABSORBER ASSY, REAR	2				
17	90201-12190	WASHER, PLATE	2				
18	95707-10500	NUT, FLANGE	2				
19	90201-106F2	WASHER, PLATE	2				
20	90105-10778	BOLT, FLANGE	2				



5PV1440-1200

FIG. 20 STEERING

REF. NO.	PART NO.	DESCRIPTION	5PV2				REMARKS
1	156-23412-00	RACE, BALL 2	1				
2	183-23411-00	RACE, BALL 1	1				
3	183-23412-00	RACE, BALL 2	1				
4	93501-04011	BALL	38				
5	136-23415-00	COVER, BALL RACE 1	1				
6	90179-25802	NUT	1				
7	3XL-F3435-00	CROWN, HANDLE	1				
8	91314-08025	BOLT	2				
9	90105-10006	BOLT, FLANGE	1				
10	90209-10020	WASHER	1				
11	5PV-F3174-00	STAY, HEADLIGHT	1				
12	55F-F1165-00	HANDLE, STANDING	1				
13	95807-06012	BOLT, FLANGE	2				
14	90480-12320	GROMMET	2				
15	95807-06012	BOLT, FLANGE	2				
16	3Y6-2317J-00	DAMPER 1	2				

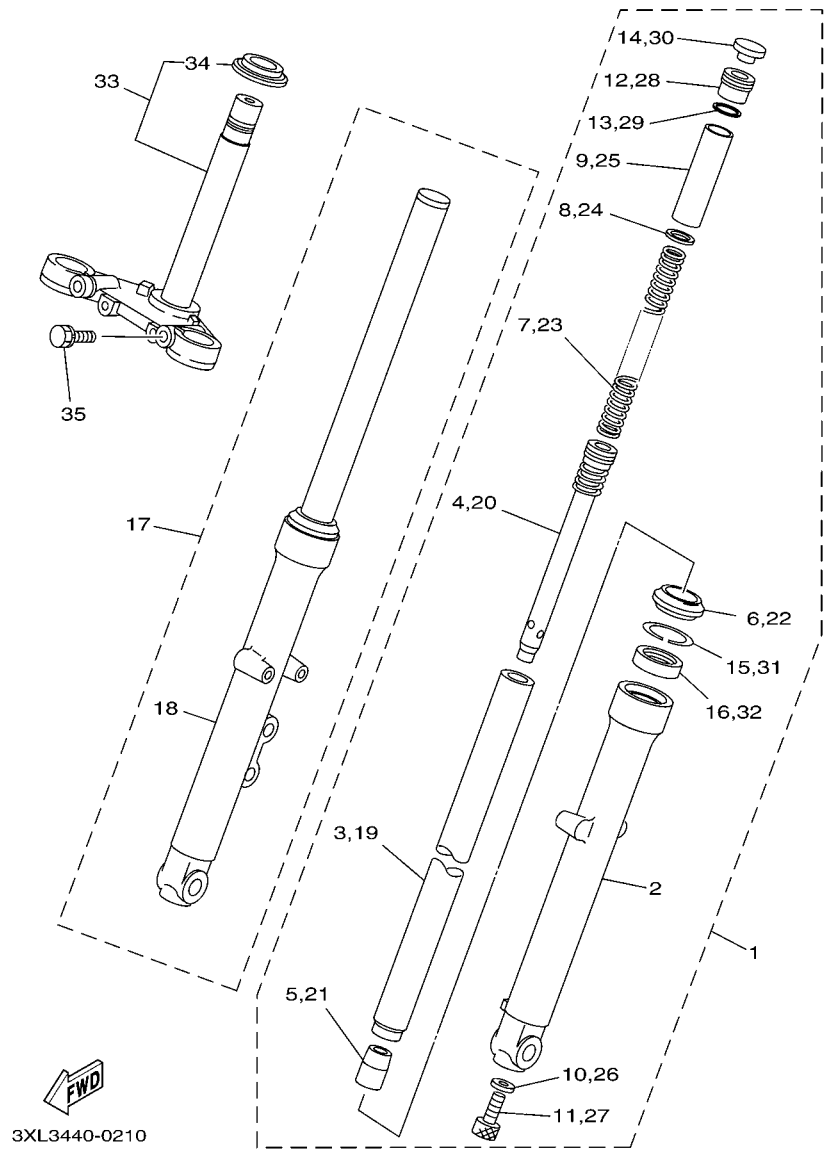


3XL3440-0210

FIG. 21 FRONT FORK

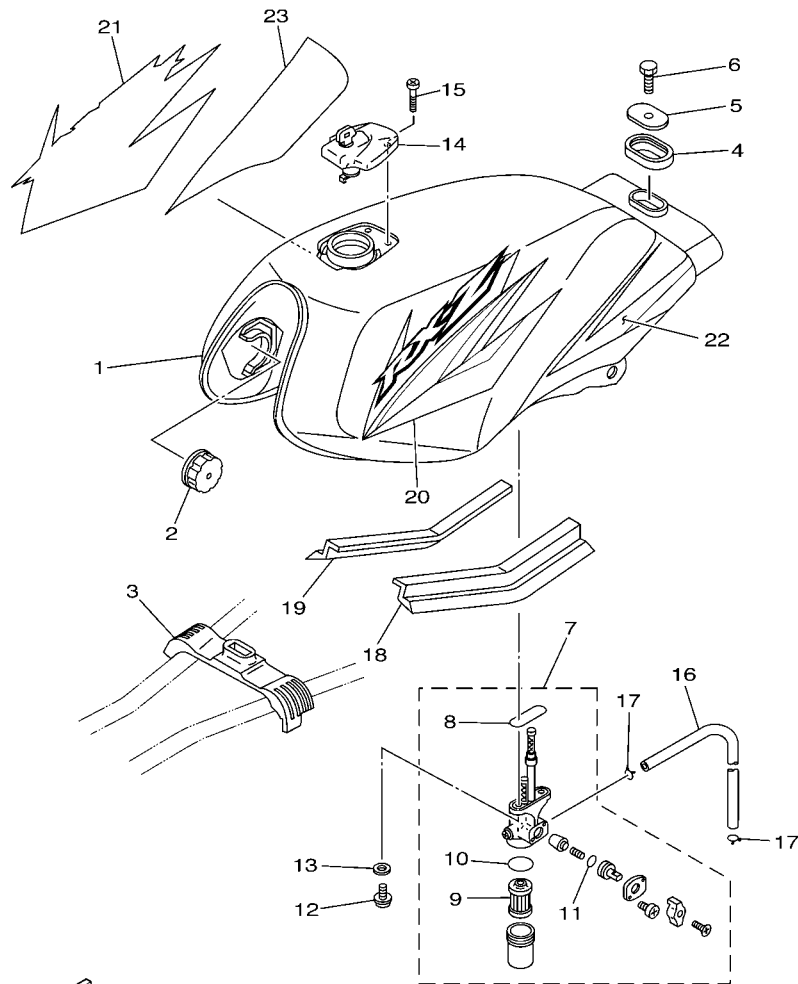
REF. NO.	PART NO.	DESCRIPTION	SPV2				REMARKS
1	5PV-F3102-10	FRONT FORK ASSY (L.H)	1				
2	5PV-F3106-00	.OUTER TUBE COMP. (L.H)	1				
3	3XL-F3110-10	.INNER TUBE COMP.1	1				
4	55F-F3170-00	.CYLINDER COMP., FRONT FORK	1				
5	2K5-F3173-00	.SPINDLE, TAPER	1				
6	3XL-F3144-10	.SEAL, DUST	1				
7	3XL-F3141-00	.SPRING, FRONT FORK	1				
8	3XL-F3146-10	.WASHER, OIL SEAL	1				
9	5PV-F3118-00	.SPACER	1				
10	509-F3158-L0	.GASKET	1				
11	278-F3181-50	.BOLT, HEXAGON SOCKET HEAD	1				
12	1X0-F3111-00	.BOLT, CAP	1				
13	146-F3114-00	.GASKET	1				
14	1X0-F3168-00	.CAP, FRONT FORK	1				
15	3V3-23122-00	.RING,SNAP	1				LM
16	3XL-F3145-10	.OIL SEAL	1				
17	5PV-F3103-10	FRONT FORK ASSY (R.H)	1				
18	5PV-F3107-00	.OUTER TUBE COMP. (R.H)	1				
19	3XL-F3110-10	.INNER TUBE COMP.1	1				
20	55F-F3170-00	.CYLINDER COMP., FRONT FORK	1				
21	2K5-F3173-00	.SPINDLE, TAPER	1				
22	3XL-F3144-10	.SEAL, DUST	1				
23	3XL-F3141-00	.SPRING, FRONT FORK	1				
24	3XL-F3146-10	.WASHER, OIL SEAL	1				
25	5PV-F3118-00	.SPACER	1				
26	509-F3158-L0	.GASKET	1				
27	278-F3181-50	.BOLT, HEXAGON SOCKET HEAD	1				

**FIG. 21 FRONT FORK**



REF. NO.	PART NO.	DESCRIPTION	SPV2				REMARKS
28	1X0-F3111-00	.BOLT, CAP	1				
29	146-F3114-00	.GASKET	1				
30	1X0-F3168-00	.CAP, FRONT FORK	1				
31	3V3-23122-00	.RING, SNAP	1				LM
32	3XL-F3145-10	.OIL SEAL	1				
33	55F-F3340-00	UNDER BRACKET COMP.	1				
34	156-23411-00	.RACE, BALL 1	1				
35	1M3-F3346-01	BOLT 1	1				

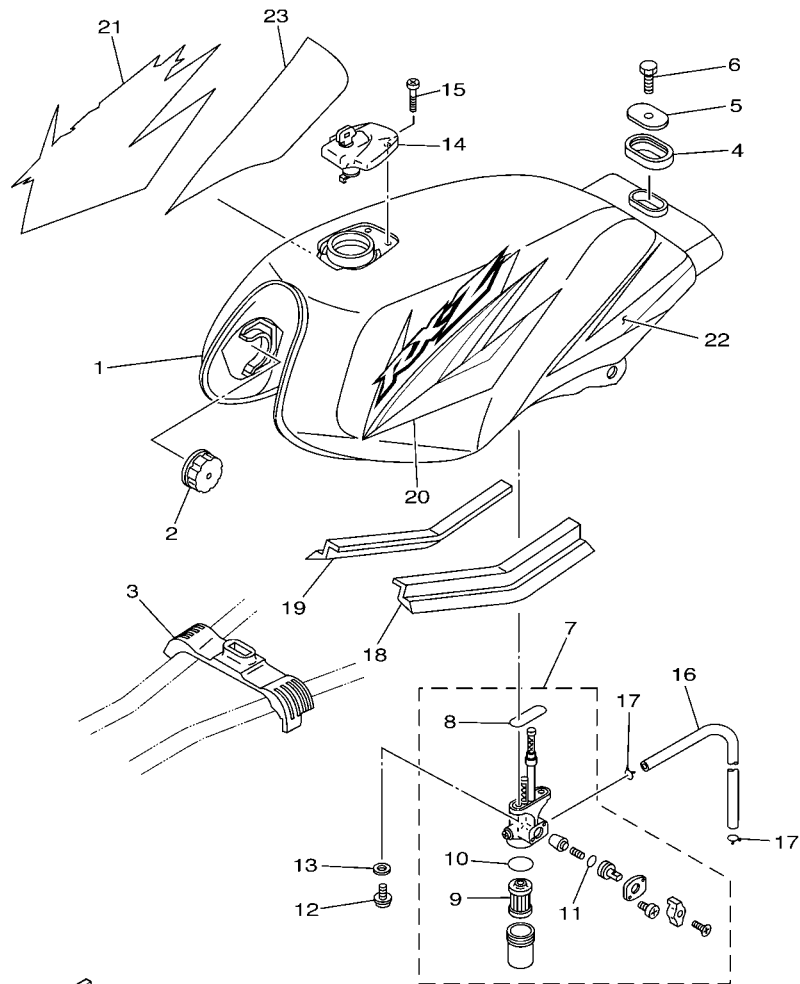




5PV2440-D220

FIG. 22 FUEL TANK

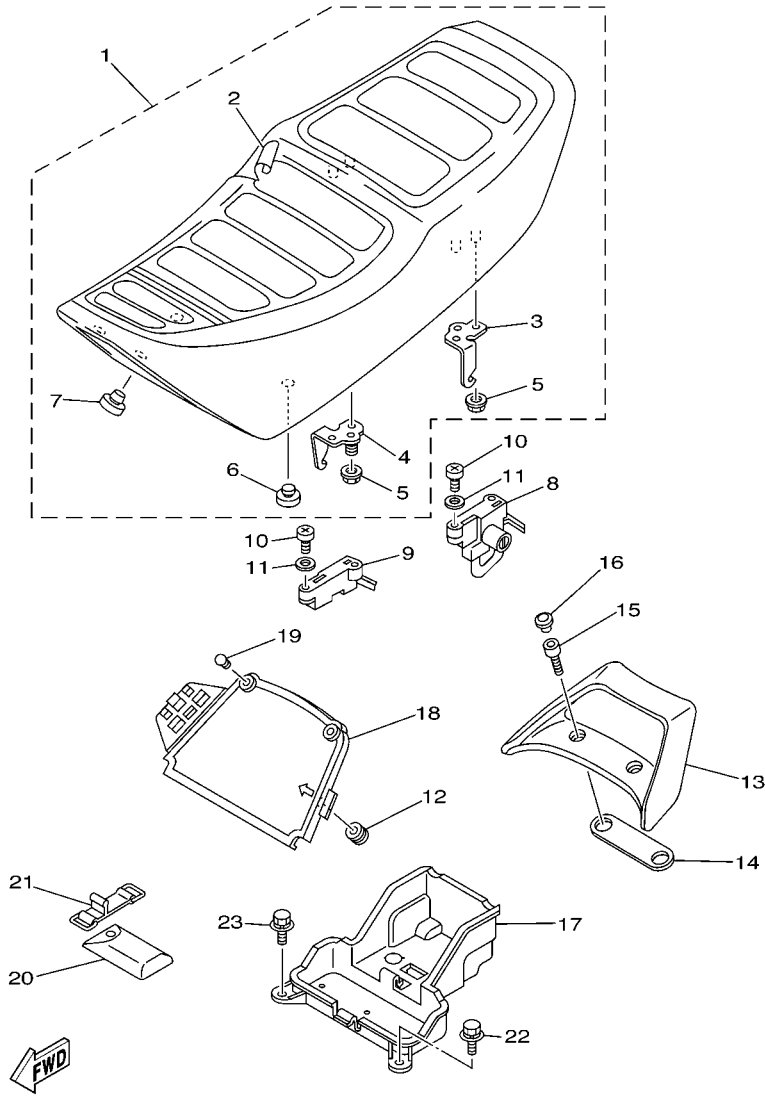
REF. NO.	PART NO.	DESCRIPTION	5PV2				REMARKS
1	3XL-F4110-00-P5	FUEL TANK COMP.	1				UR VRC1
	3XL-F4110-00-P9	FUEL TANK COMP.	1				UR DPBMC
	3XL-F4110-00-33	FUEL TANK COMP.	1				UR YB
2	3XL-F4181-00	DAMPER, LOCATING 1	2				
3	3XL-F4182-00	DAMPER, LOCATING 2	1				
4	3Y6-24183-00	DAMPER, LOCATING 3	1				
5	3XL-F4186-00	WASHER, SPECIAL	1				
6	97007-08030	BOLT	1				
7	55F-24500-10	FUEL COCK ASSY 1	1				
8	4X8-24512-00	.O-RING	1				
9	55K-24515-00	.NET, FILTER 2	1				
10	55K-24565-00	.O-RING	1				
11	3AJ-24534-00	.SEAL, COCK	1				
12	90149-06011	SCREW	2				
13	90202-05193	WASHER, PLATE	2				
14	4X8-24650-05	CAP ASSY	1				
15	98507-05010	SCREW, PAN HEAD	2				
16	90445-091K5	HOSE (L485)	1				
17	90467-09006	CLIP	2				
18	5PV-F476U-00	PROTECTOR,1	1				
19	5PV-F476V-00	PROTECTOR,2	1				
20	5PV-F4244-30	GRAPHIC, FUEL TANK 1	1				UR FOR VRC1
	5PV-F4244-40	GRAPHIC, FUEL TANK 1	1				UR FOR DPBMC
	5PV-F4244-50	GRAPHIC, FUEL TANK 1	1				UR FOR YB
21	5PV-F4245-30	GRAPHIC, FUEL TANK 2	1				UR FOR VRC1
	5PV-F4245-40	GRAPHIC, FUEL TANK 2	1				UR FOR DPBMC
	5PV-F4245-50	GRAPHIC, FUEL TANK 2	1				UR FOR YB



5PV2440-D220

FIG. 22 FUEL TANK

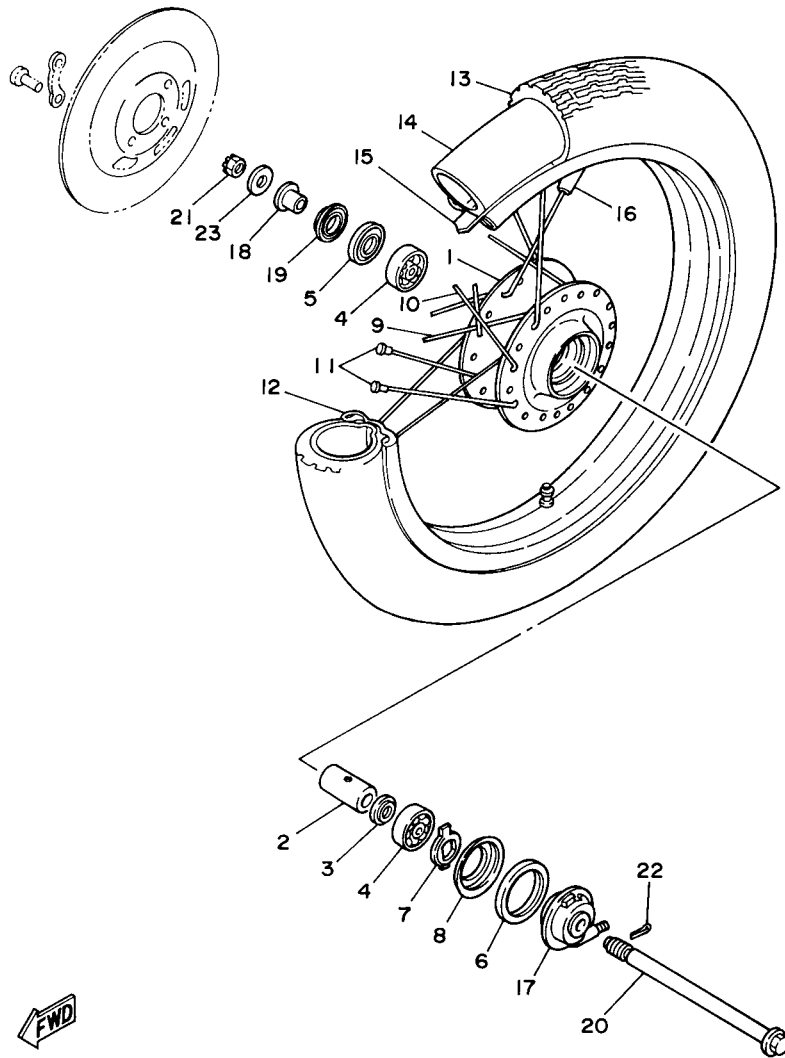
REF. NO.	PART NO.	DESCRIPTION	5PV2				REMARKS
22	5PV-F4246-30	GRAPHIC 3	1				UR FOR VRC1
	5PV-F4246-40	GRAPHIC 3	1				UR FOR DPBMC
	5PV-F4246-50	GRAPHIC 3	1				UR FOR YB
23	5PV-F4247-30	GRAPHIC	1				UR FOR VRC1
	5PV-F4247-40	GRAPHIC	1				UR FOR DPBMC
	5PV-F4247-50	GRAPHIC	1				UR FOR YB



5PV2440-D230

FIG. 23 SEAT

REF. NO.	PART NO.	DESCRIPTION	5PV2				REMARKS
1	5PV-F4730-00	DOUBLE SEAT ASSY	1				
2	5PV-F4731-00	.COVER, SEAT	1				
3	3XL-F4728-00	.BRACKET, SEAT	1				
4	3XL-F4738-00	.BRACKET, SEAT	1				
5	95707-06500	.NUT, FLANGE	4				
6	116-24741-00	.PAD, SEAT	2				
7	3XL-F4724-00	.DAMPER, SEAT	2				
8	55K-24705-00	SEAT LOCK ASSY	1				
9	55K-24760-00	SEAT LEVER ASSY	1				
10	98507-06016	SCREW, PAN HEAD	4				
11	92907-06600	WASHER, PLATE	4				
12	90480-12320	GROMMET	1				
13	5BU-F4773-00-P5	HANDLE, SEAT	1				BWC1
14	5BU-F4742-00	GROMMET	1				
15	91317-08030	BOLT	2				
16	341-23469-00	CAP, BOLT	2				
17	5PV-F473R-00	BOX 1	1				
18	5PV-F473T-00	LID 1	1				
19	1J7-21717-00	DAMPER	2				
20	55K-28100-00	TOOL KIT	1				
21	55F-F811G-00	BAND	1				
22	90119-06060	BOLT, WITH WASHER	1				
23	90119-06060	BOLT, WITH WASHER	1				



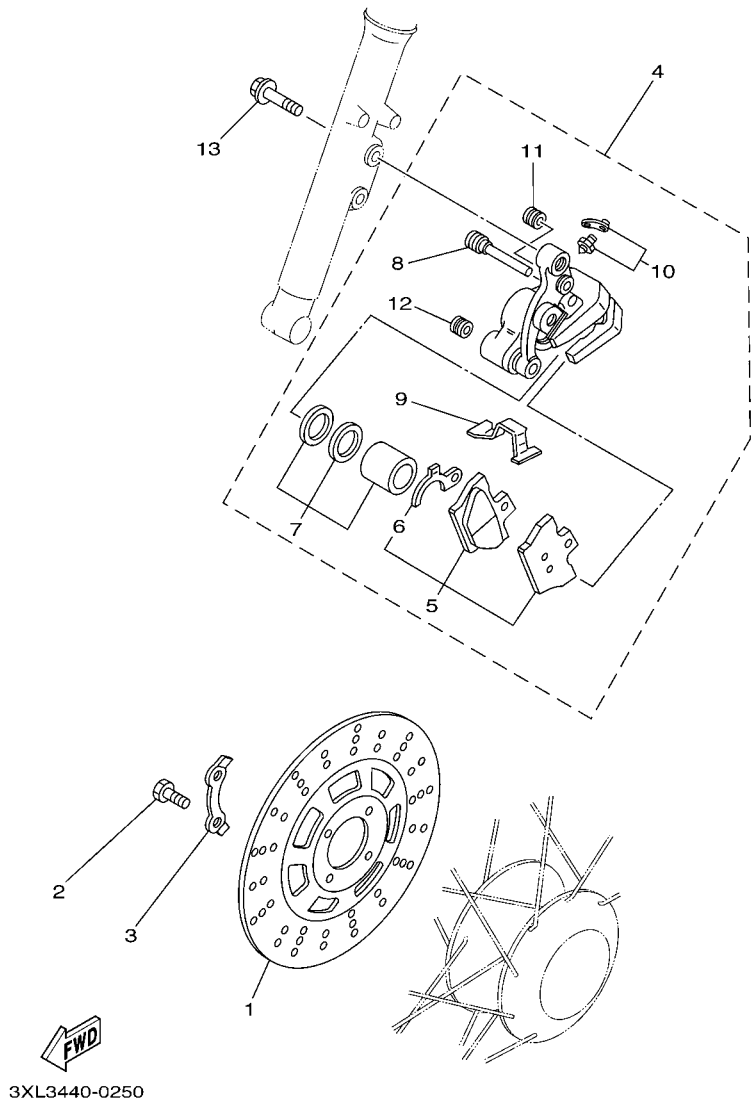
3XL1440-0241

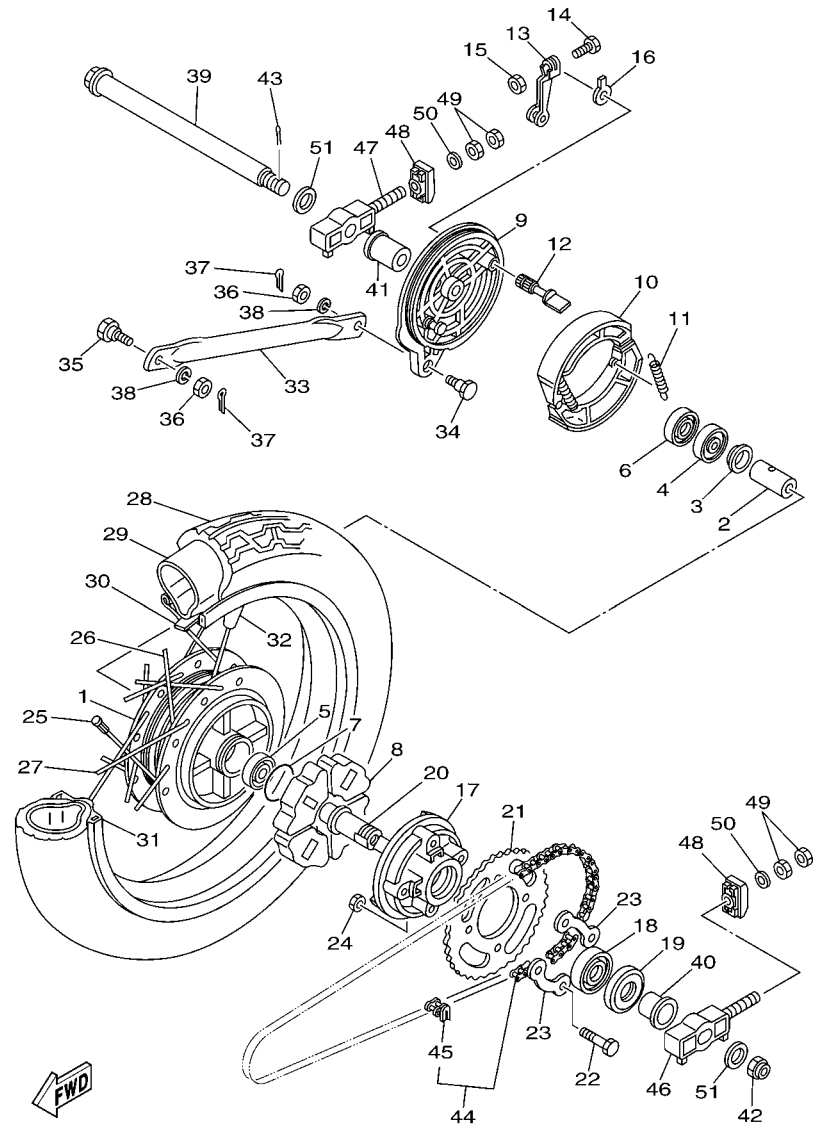
FIG. 24 FRONT WHEEL

REF. NO.	PART NO.	DESCRIPTION	SPV2				REMARKS
1	37L-F5111-00-98	HUB, FRONT	1				LGB
2	90560-15293	SPACER	1				
3	5H3-F5115-00	FLANGE, SPACER 1	1				
4	93306-20205	BEARING	2				UR KOYO
	93306-202YL	BEARING	2				UR
5	93106-22016	OIL SEAL	1				
6	93105-45017	OIL SEAL	1				
7	5H3-F5149-00	CLUTCH, METER	1				
8	5H3-F5846-00	RETAINER, CLUTCH	1				
9	5H3-F5196-00	SPOKE, INNER 1	18				
10	5H3-F5197-00	SPOKE, OUTER 1	18				
11	5H3-F5195-00	NIPPLE, SPOKE	36				
12	94416-18810	RIM (1.60-18)	1				
13	94108-18801	TIRE (80/90-18 45H)	1				
14	94225-18876	TUBE (2.50-18 TR4)	1				INOUE
15	94327-18846	BAND, RIM (2.75-18)	1				INOUE
16	5BU-F5398-00	BALANCER, WHEEL	1				UN
17	3M5-25190-10	GEAR UNIT ASSY	1				
18	90387-151M3	COLLAR	1				
19	55K-25118-00	COVER, HUB DUST	1				
20	3M5-25181-00	AXLE, WHEEL	1				
21	90171-14020	NUT, CASTLE	1				
22	91401-30030	PIN, COTTER	1				
23	92903-14200	WASHER	1				

**FIG. 25 FRONT BRAKE CALIPER**

REF. NO.	PART NO.	DESCRIPTION	SPV2				REMARKS
1	5PV-F582U-00	DISK, BRAKE (RIGHT)	1				
2	90109-08367	BOLT	4				
3	5H3-F5843-00	WASHER, LOCK	2				
4	3XL-2580U-00	CALIPER ASSY (RIGHT)	1				
5	3XL-W0045-00	.BRAKE PAD KIT	1				
6	4X8-25827-00	..SHIM, CALIPER	1				
7	4X8-W0057-00	.PISTON ASSY, CALIPER	1				
8	34L-25924-00	.PIN, PAD	1				
9	11H-25919-00	.SUPPORT, PAD	1				
10	404-W0048-30	.BLEED SCREW KIT	1				
11	4X8-25917-00	.BOOT, CALIPER	1				
12	5R2-25937-00	.BOOT 2	1				
13	90105-10634	BOLT, FLANGE	2				

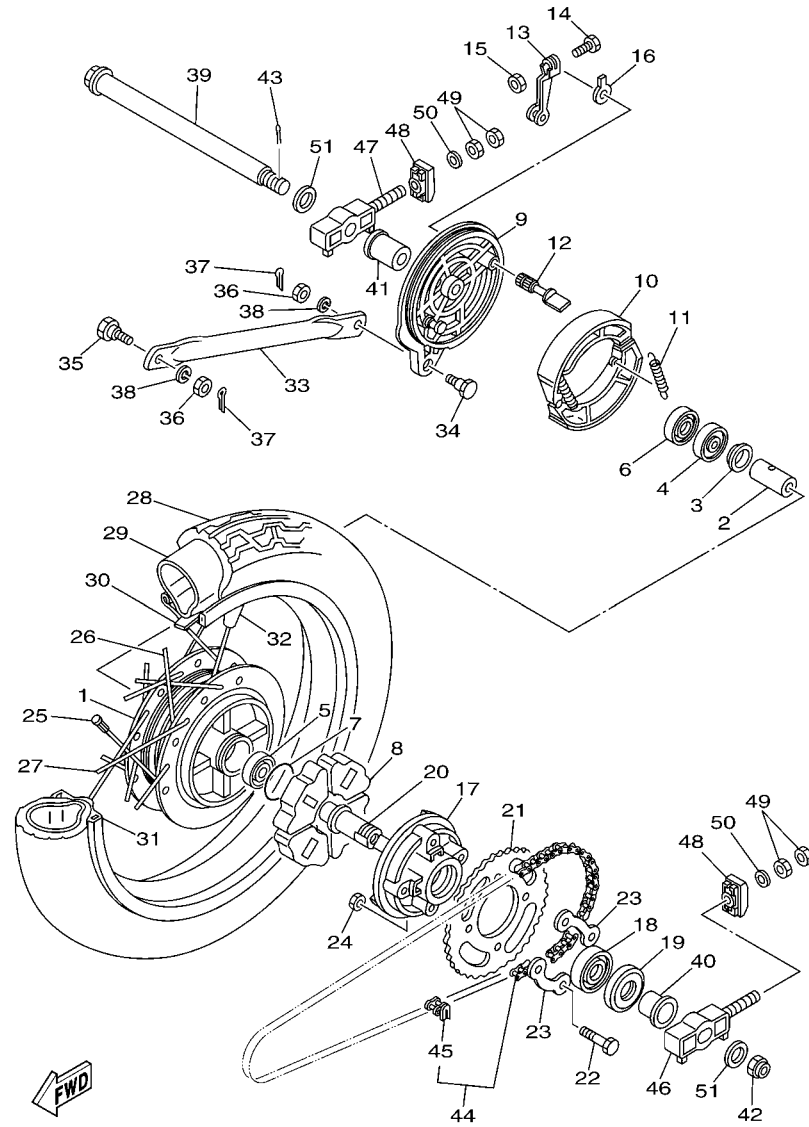




3XL3440-0260

FIG. 26 REAR WHEEL

REF. NO.	PART NO.	DESCRIPTION	SPV2				REMARKS
1	55F-F5311-00-98	HUB, REAR	1				LGB
2	90560-15136	SPACER	1				
3	5H3-F5115-00	FLANGE, SPACER 1	1				
4	93306-20205	BEARING	1				UR KOYO
	93306-202YL	BEARING	1				UR
5	93306-20204	BEARING	1				UR KOYO
	93306-202YK	BEARING	1				UR
6	93104-22018	OIL SEAL	1				
7	93210-42101	O-RING	1				
8	5H3-F5364-00	DAMPER	4				
9	55F-F5321-00-98	PLATE, BRAKE SHOE	1				LGB
10	29M-F5330-00	BRAKE SHOE COMP.	2				
11	90506-14006	SPRING, TENSION	2				
12	248-25351-10	CAMSHAFT	1				
13	3XL-F5355-00	LEVER, CAMSHAFT	1				
14	90101-06278	BOLT	1				
15	95307-06600	NUT	1				
16	3Y6-2533A-01	PLATE, INDICATOR	1				
17	55F-F5366-00	CLUTCH, HUB	1				
18	93306-00406	BEARING	1				UR NTN
	93306-004YD	BEARING	1				UR
19	93106-26815	OIL SEAL	1				
20	90387-15877	COLLAR	1				
21	3XL-F5446-00	SPROCKET, DRIVEN (46T)	1				
22	90109-08361	BOLT	4				
23	3M5-25412-00	WASHER	2				
24	90179-08168	NUT	4				



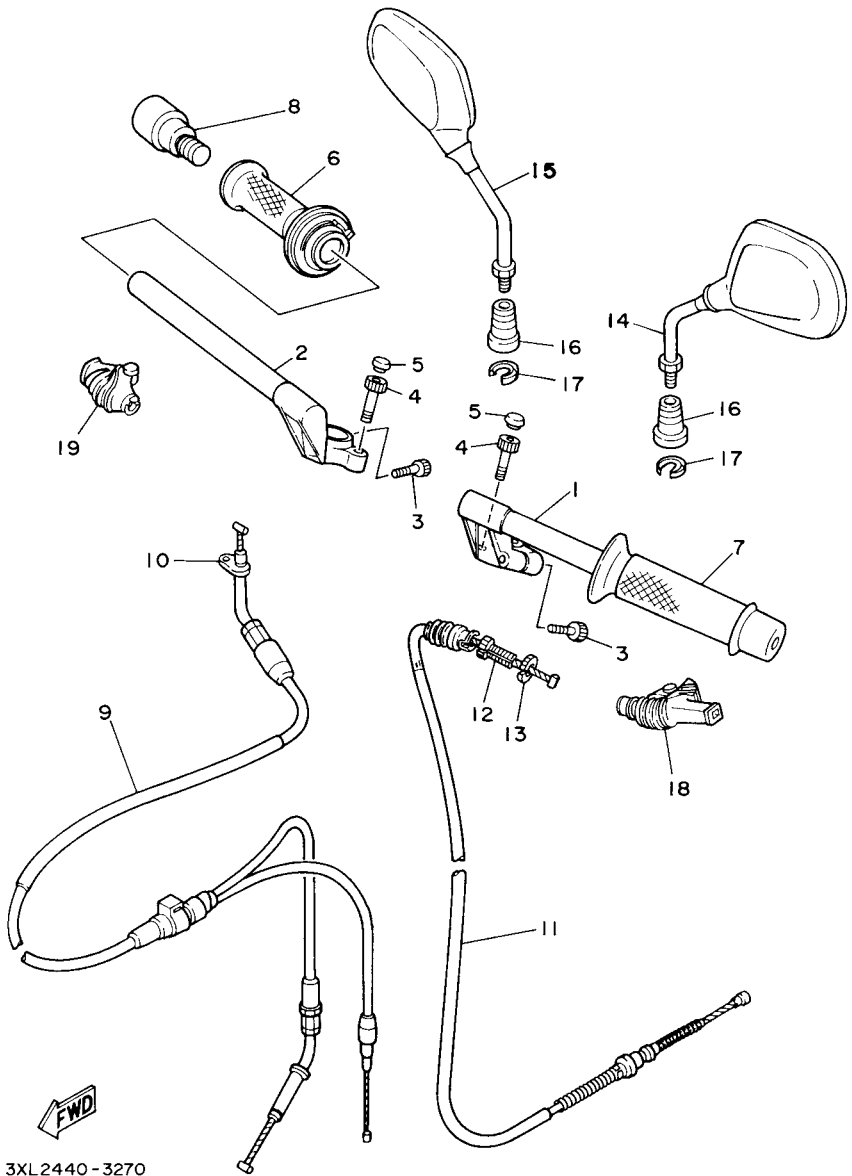
3XL3440-0260

FIG. 26 REAR WHEEL

REF. NO.	PART NO.	DESCRIPTION	SPV2				REMARKS
25	55F-F5395-00	NIPPLE, SPOKE	36				
26	55F-F5396-00	SPOKE, INNER 2	18				
27	55F-F5397-00	SPOKE, OUTER 2	18				
28	94109-18801	TIRE (90/90-18 51H)	1				
29	94230-18875	TUBE (3.00-18 TR4)	1				INOUE
30	94327-18846	BAND, RIM (2.75-18)	1				INOUE
31	94416-18827	RIM (1.60-18)	1				
32	5BU-F5398-00	BALANCER, WHEEL	1				UN
33	55F-F5371-00	BAR, TENSION	1				
34	90109-08063	BOLT	1				
35	90109-08368	BOLT	1				
36	95307-08600	NUT	2				
37	90468-12007	CLIP	2				
38	92907-08100	WASHER, SPRING	2				
39	18G-25381-00	AXLE, WHEEL	1				
40	90387-15878	COLLAR	1				
41	90387-150M4	COLLAR	1				
42	90171-14016	NUT, CASTLE	1				
43	91401-30030	PIN, COTTER	1				
44	94580-88120	CHAIN (DID 428HG-120L)	1				
45	94680-88001	JOINT, CHAIN (DID 428HG)	1				
46	3BS-F5388-10	PULLER, CHAIN 1	1				
47	3BS-F5389-00	PULLER, CHAIN 2	1				
48	3BS-F539F-00	PLATE 1	2				
49	95304-08600	NUT	4				
50	92903-08600	WASHER, PLATE	2				
51	90201-156J5	WASHER, PLATE	2				

FIG. 27 STEERING HANDLE & CABLE

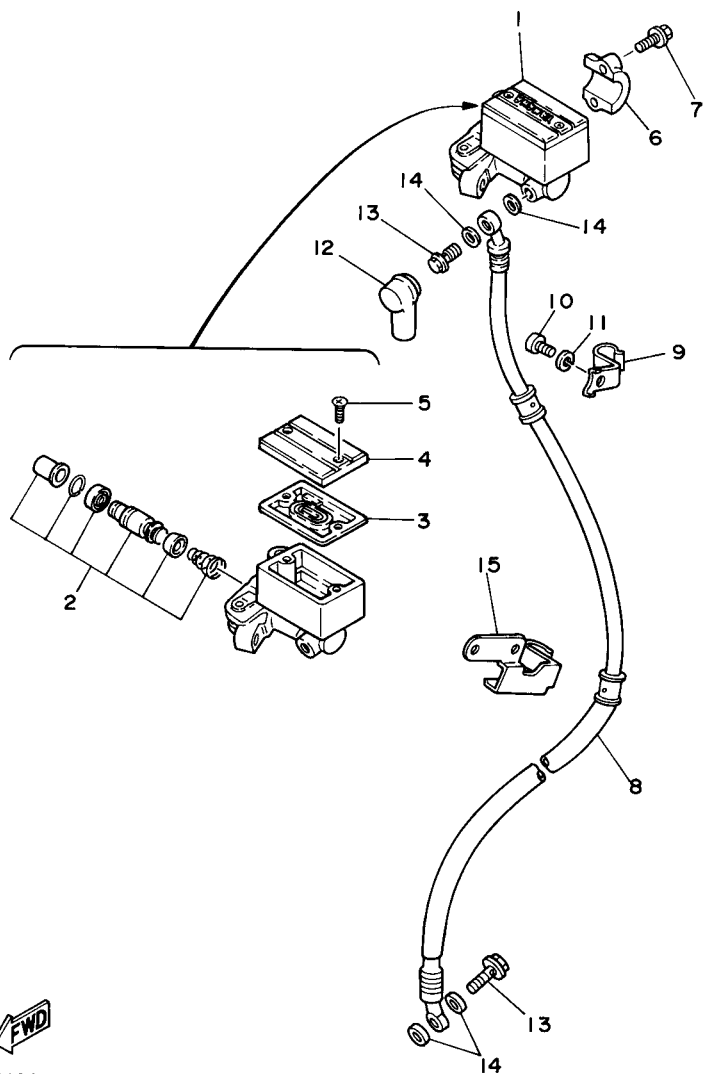
REF. NO.	PART NO.	DESCRIPTION	SPV2				REMARKS
1	3XX-26121-00	HANDLEBAR (LEFT)	1				
2	3XX-26122-00	HANDLEBAR (RIGHT)	1				
3	91314-08025	BOLT	2				
4	91317-06016	BOLT	2				
5	2H9-23469-00	CAP, BOLT	2				
6	5PV-F6240-00	GRIP ASSY	1				
7	4UL-F6241-00	GRIP	1				
8	3XL-F6246-00	END, GRIP	2				
9	5PV-F6260-00	CABLE ASSY, THROTTLE & PUMP	1				
10	584-26393-02	HOLDER	1				
11	3XL-F6335-00	CABLE, CLUTCH	1				
12	90123-08046	BOLT	1				
13	90179-08148	NUT	1				
14	3YR-F6280-00	REAR VIEW MIRROR ASSY (LEFT)	1				
15	3YR-F6290-00	REAR VIEW MIRROR ASSY (RIGHT)	1				
16	5LW-F629T-00	BOOT 1	2				
17	3YR-F6129-00	WASHER	2				
18	1E6-26372-00	COVER, HANDLE LEVER 1	1				
19	3XL-F6372-00	COVER, HANDLE LEVER 1	1				



3XL2440-3270



FIG. 28 FRONT MASTER CYLINDER



55K400-5280

REF. NO.	PART NO.	DESCRIPTION	SPV2				REMARKS
1	2RJ-25870-00	MASTER CYLINDER SUB ASSY	1				
2	4L0-W0041-00	.CYLINDER KIT, MASTER	1				
3	4L0-25854-00	.DIAPHRAGM, RESERVOIR	1				
4	4H7-25852-00	.CAP, RESERVOIR	1				
5	98706-04012	.SCREW, FLAT HEAD	2				
6	4L0-25867-00	BRACKET, MASTER CYLINDER	1				
7	95827-06025	BOLT, FLANGE	2				
8	3XL-F5872-00	HOSE, BRAKE 1	1				
9	55K-25875-00	HOLDER, BRAKE HOSE 1	1				
10	98507-06012	SCREW, PAN HEAD	1				
11	92907-06600	WASHER, PLATE	1				
12	4L0-25862-01	BOOT, MASTER CYLINDER	1				
13	90401-10159	BOLT, UNION	2				
14	90201-10118	WASHER, PLATE	4				
15	4X8-25876-00	HOLDER, BRAKE HOSE 2	1				

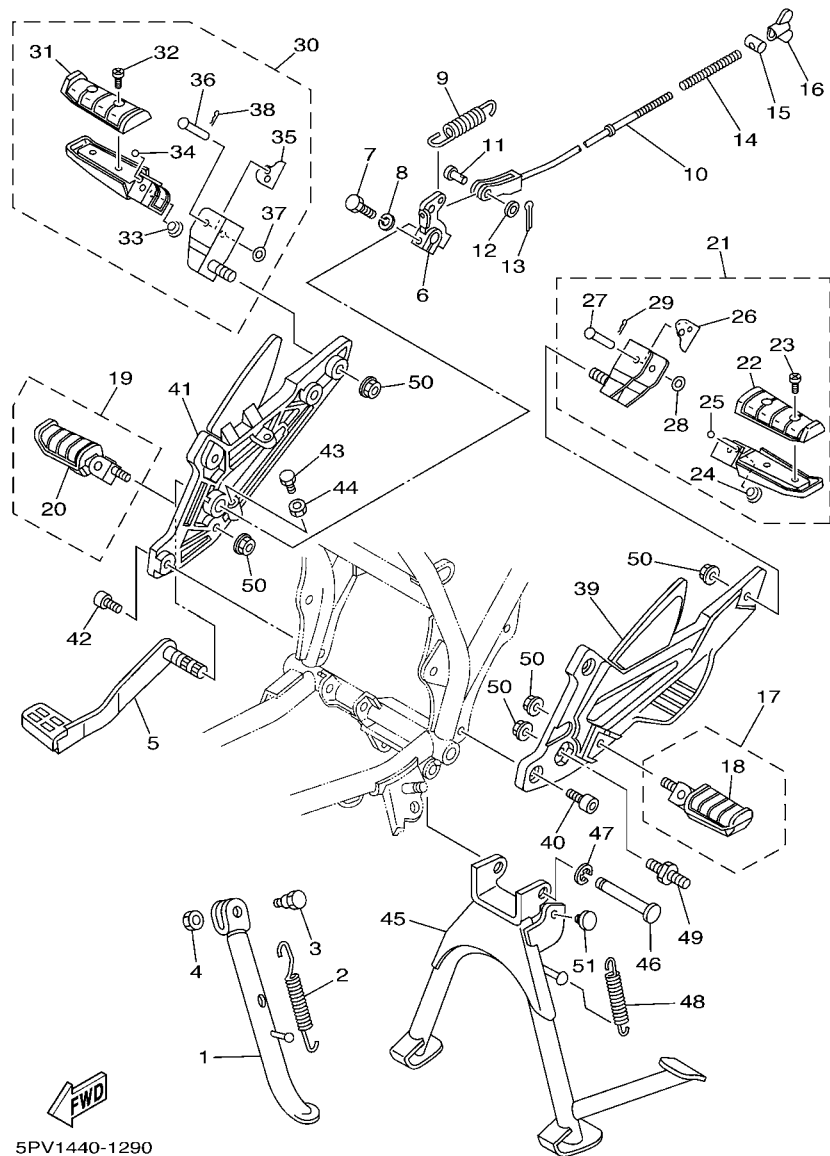


FIG. 29 STAND & FOOTREST

REF. NO.	PART NO.	DESCRIPTION	SPV2				REMARKS
1	55F-F7311-01	STAND, SIDE	1				
2	90507-29033	SPRING, TENSION	1				
3	90109-10473	BOLT	1				
4	90185-10037	NUT, SELF-LOCKING	1				
5	5PV-F7211-00	PEDAL, BRAKE	1				
6	55K-27252-00	LEVER, BRAKE PEDAL	1				
7	90109-06470	BOLT	1				
8	92907-06100	WASHER, SPRING	1				
9	90506-20221	SPRING, TENSION	1				
10	55K-27231-02	ROD, BRAKE	1				
11	90240-06076	PIN, CLEVIS	1				
12	92907-06600	WASHER, PLATE	1				
13	91401-20012	PIN, COTTER	1				
14	90501-10245	SPRING, COMPRESSION	1				
15	90249-12008	PIN	1				
16	90175-06013	NUT, WING	1				
17	3XL-F7410-00	FRONT FOOTREST ASSY (LEFT)	1				
18	3XL-F7413-00	.COVER, FOOTREST	1				
19	3XL-F7420-00	FRONT FOOTREST ASSY (RIGHT)	1				
20	3XL-F7413-00	.COVER, FOOTREST	1				
21	3XL-F7430-00	REAR FOOTREST ASSY 1	1				
22	3XL-F7433-00	.COVER, REAR FOOTREST	1				
23	98507-05010	.SCREW, PAN HEAD	2				
24	90501-16761	.SPRING, COMPRESSION	1				
25	93501-04011	.BALL	1				
26	33M-27437-00	.WASHER, SPECIAL	1				
27	91701-06040	.PIN, CLEVIS	1				

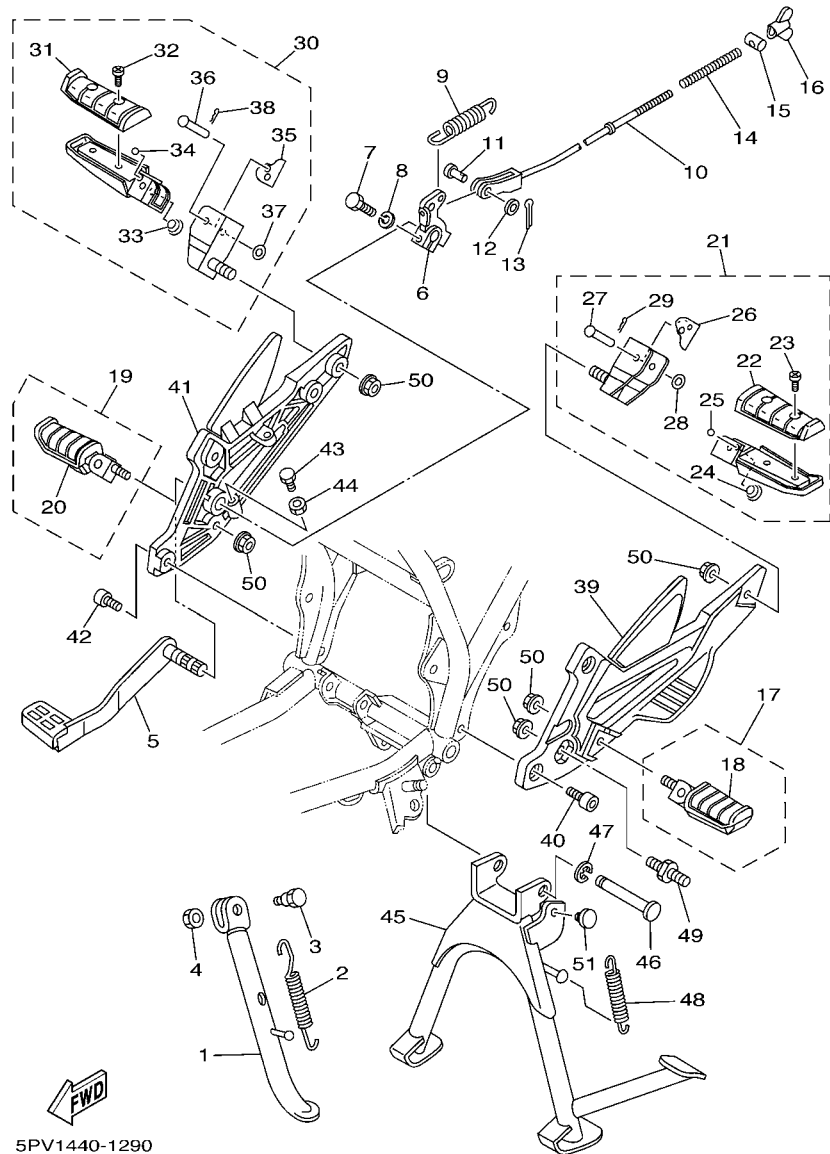


FIG. 29 STAND & FOOTREST

REF. NO.	PART NO.	DESCRIPTION	5PV2				REMARKS
28	92907-06200	.WASHER	1				
29	91401-20012	.PIN, COTTER	1				
30	3XL-F7440-00	REAR FOOTREST ASSY 2	1				
31	3XL-F7433-00	.COVER, REAR FOOTREST	1				
32	98507-05010	.SCREW, PAN HEAD	2				
33	90501-16761	.SPRING, COMPRESSION	1				
34	93501-04011	.BALL	1				
35	33M-27437-00	.WASHER, SPECIAL	1				
36	91701-06040	.PIN, CLEVIS	1				
37	92907-06200	.WASHER	1				
38	91401-20012	.PIN, COTTER	1				
39	5PV-F7452-10	BRACKET, FOOTREST 1	1				
40	91314-10020	BOLT	2				
41	5PV-F7462-10	BRACKET, FOOTREST 2	1				
42	91314-10020	BOLT	2				
43	97007-06016	BOLT	1				
44	95307-06600	NUT	1				
45	5PV-F7111-00-33	STAND, MAIN	1				YB
46	55K-27112-00	SHAFT, MAIN STAND	1				
47	93430-10015	CIRCLIP	1				
48	90506-35297	SPRING, TENSION	1				
49	90109-105A5	BOLT	1				
50	95707-10500	NUT, FLANGE	5				
51	5BU-F7214-00	STOPPER	1				

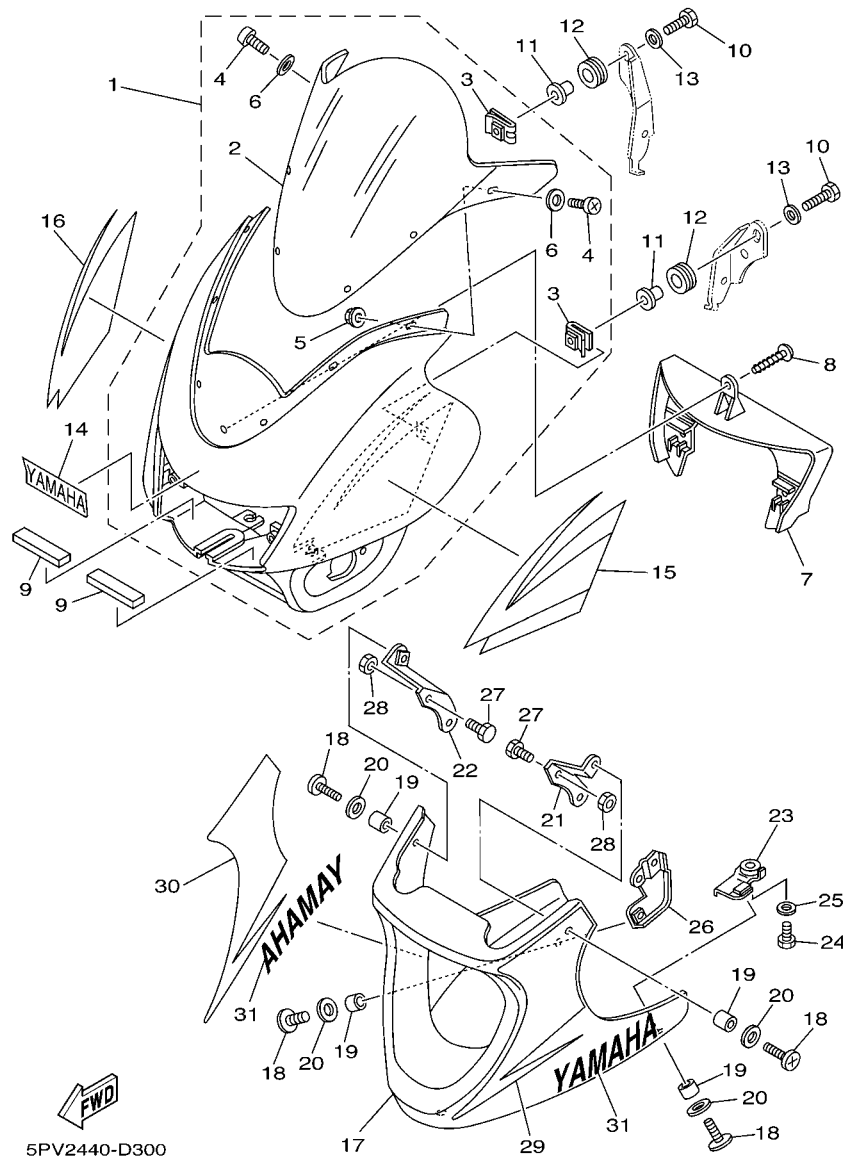


FIG. 30 COWLING 1

REF. NO.	PART NO.	DESCRIPTION	5PV2			REMARKS
1	5PV-F8350-00-P0	COWLING ASSY	1			UR VRC1
	5PV-F8350-00-P1	COWLING ASSY	1			UR DPBMC
	5PV-F8350-00-33	COWLING ASSY	1			UR YB
2	5PV-F8381-00	.WINDSHIELD	1			
3	25G-21535-00	.NUT 1	2			
4	90150-05023	.SCREW, ROUND HEAD	6			
5	95707-05500	.NUT, FLANGE	6			
6	90201-05725	.WASHER, PLATE	6			
7	5PV-F8365-00	COVER	1			
8	97707-50012	SCREW, TAPPING	3			
9	5PV-F8371-00	DAMPER	2			
10	97007-06025	BOLT	2			
11	90387-068J7	COLLAR	2			
12	90480-13428	GROMMET	2			
13	90201-06557	WASHER, PLATE	2			
14	99241-00080	EMBLEM, YAMAHA	1			
15	5PV-F8391-30	GRAPHIC 1	1			UR FOR VRC1
	5PV-F8391-40	GRAPHIC 1	1			UR FOR DPBMC
	5PV-F8391-50	GRAPHIC 1	1			UR FOR YB
16	5PV-F8392-30	GRAPHIC 2	1			UR FOR VRC1
	5PV-F8392-40	GRAPHIC 2	1			UR FOR DPBMC
	5PV-F8392-50	GRAPHIC 2	1			UR FOR YB
17	5PV-F8385-00-33	COVER, LOWER	1			YB
18	90150-06021	SCREW, ROUND HEAD	4			
19	90387-06043	COLLAR	4			
20	90202-10165	WASHER, PLATE	4			
21	3XL-F836A-00	BRACKET 1	1			

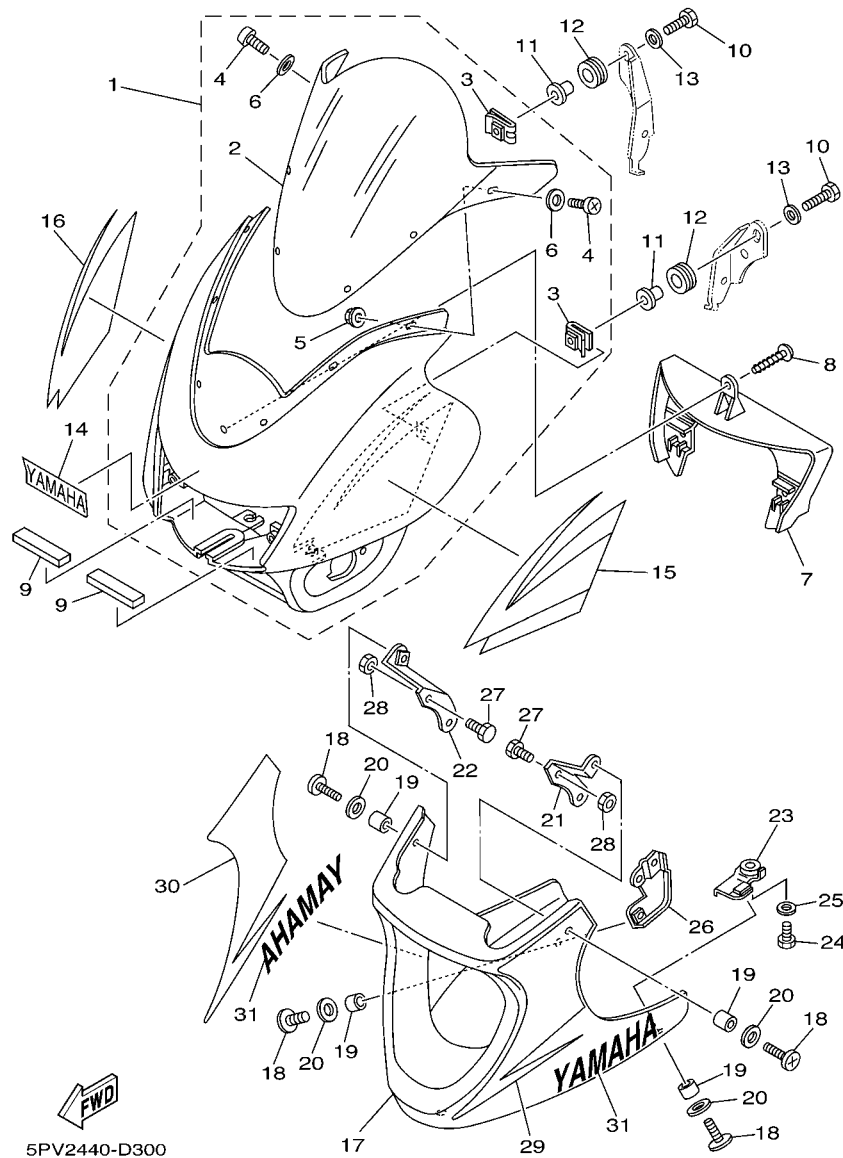


FIG. 30 COWLING 1

REF. NO.	PART NO.	DESCRIPTION	5PV2				REMARKS
22	3XL-F836E-00	BRACKET 2	1				
23	5PV-F836F-00	BRACKET 3	1				
24	97007-08016	BOLT	1				
25	92907-08600	WASHER, PLATE	1				
26	3XL-F836G-00	BRACKET 4	1				
27	97007-06012	BOLT	2				
28	95307-06600	NUT	2				
29	5PV-F8393-30	GRAPHIC 3	1				UR FOR VRC1
	5PV-F8393-40	GRAPHIC 3	1				UR FOR DPBMC
	5PV-F8393-50	GRAPHIC 3	1				UR FOR YB
30	5PV-F8394-30	GRAPHIC 4	1				UR FOR VRC1
	5PV-F8394-40	GRAPHIC 4	1				UR FOR DPBMC
	5PV-F8394-50	GRAPHIC 4	1				UR FOR YB
31	99241-00180	EMBLEM, YAMAHA	2				

**FIG. 31 GENERATOR**

REF. NO.	PART NO.	DESCRIPTION	SPV2					REMARKS
1	5PV-85550-00	ROTOR ASSY	1					
2	5PV-85560-00	BASE ASSY	1					
3	98507-08020	SCREW, PAN HEAD	2					
4	90201-123L6	WASHER, PLATE	1					
5	90179-12248	NUT	1					
-----								
-----								
-----								
-----								
-----								
-----								
-----								
-----								
-----								

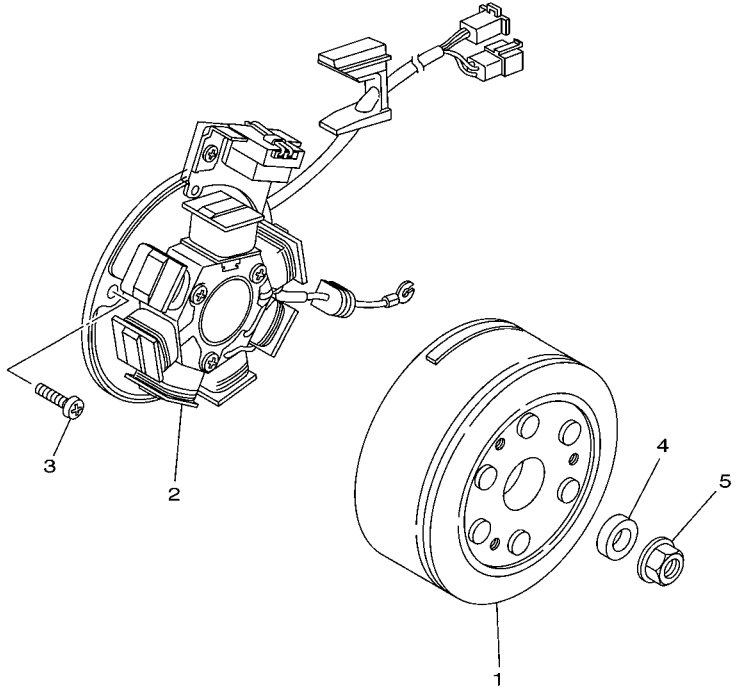
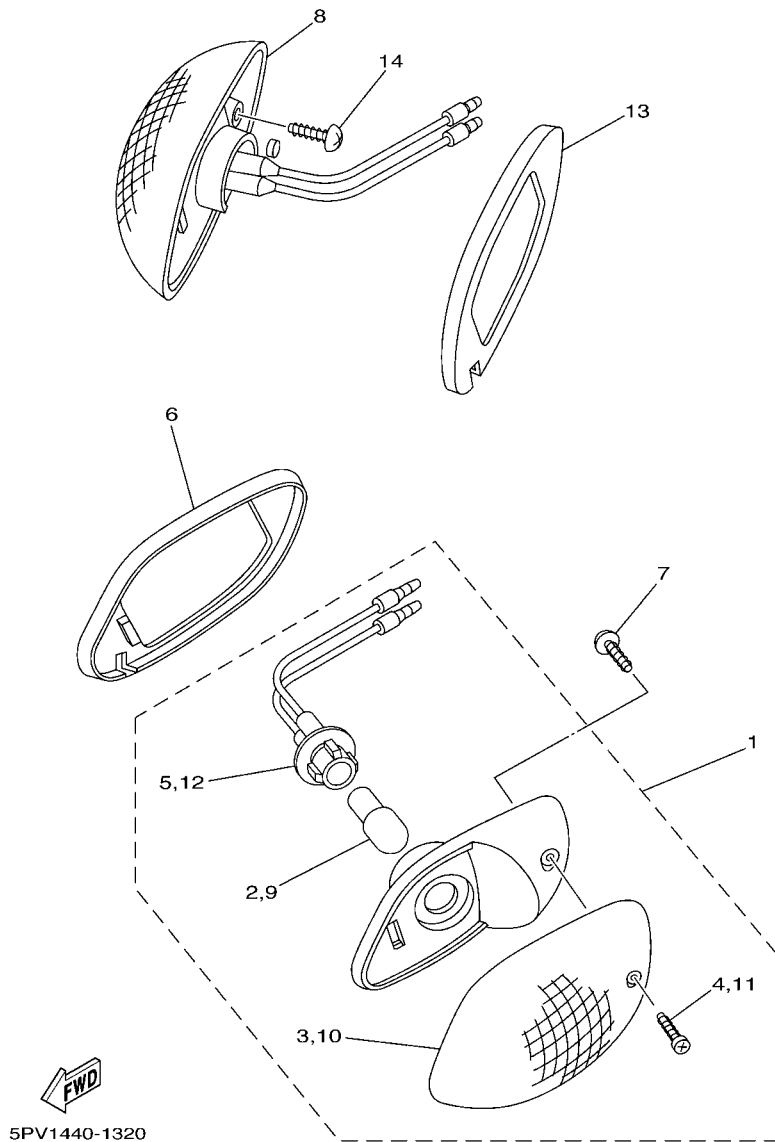
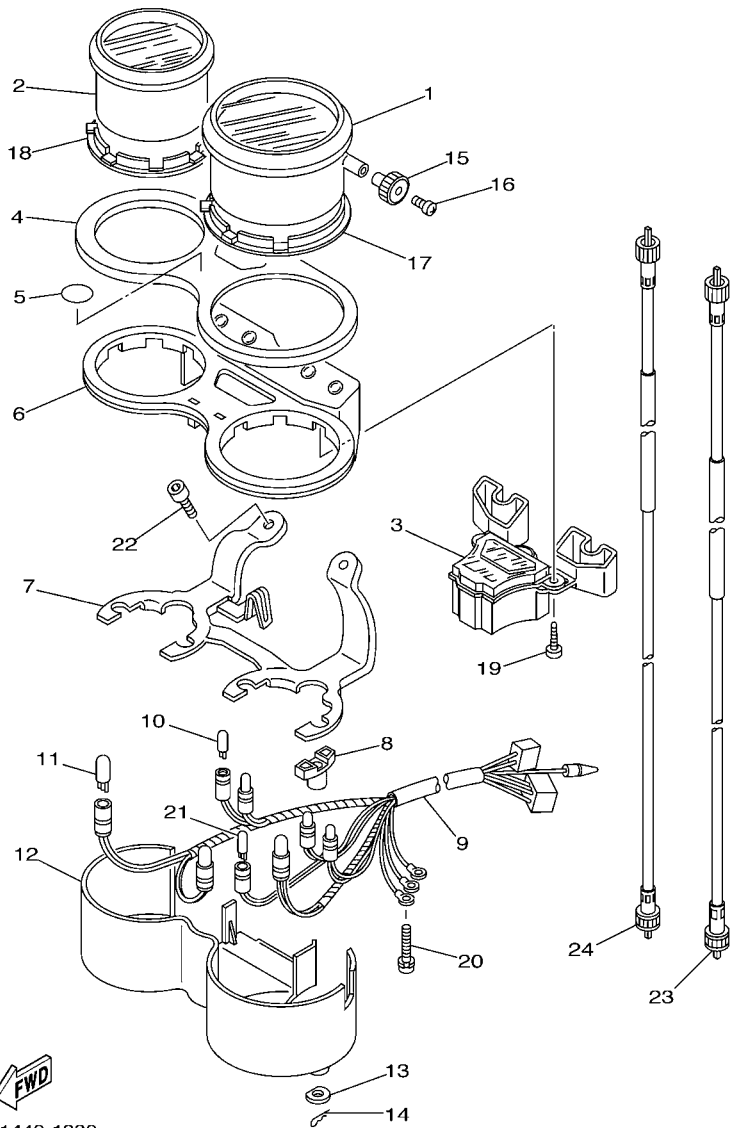


FIG. 32 FLASHER LIGHT



REF. NO.	PART NO.	DESCRIPTION	5PV2				REMARKS
1	5PV-H3310-00	FRONT FLASHER LIGHT ASSY 1	1				
2	4AC-H3311-00	.BULB, FLASHER (12V-10W)	1				
3	4TT-H3312-00	.LENS, FLASHER	1				
4	97701-30112	.SCREW, TAPPING	1				
5	4TT-H331E-00	.CORD ASSY	1				
6	5PV-H3321-00	DAMPER, FLASHER 1	1				
7	97707-50012	SCREW, TAPPING	1				
8	5PV-H3320-00	FRONT FLASHER LIGHT ASSY 2	1				
9	4AC-H3311-00	.BULB, FLASHER (12V-10W)	1				
10	4TT-H3312-00	.LENS, FLASHER	1				
11	97701-30112	.SCREW, TAPPING	1				
12	4TT-H332E-00	.CORD ASSY	1				
13	5PV-H3341-00	DAMPER, FLASHER	1				
14	97707-50012	SCREW, TAPPING	1				

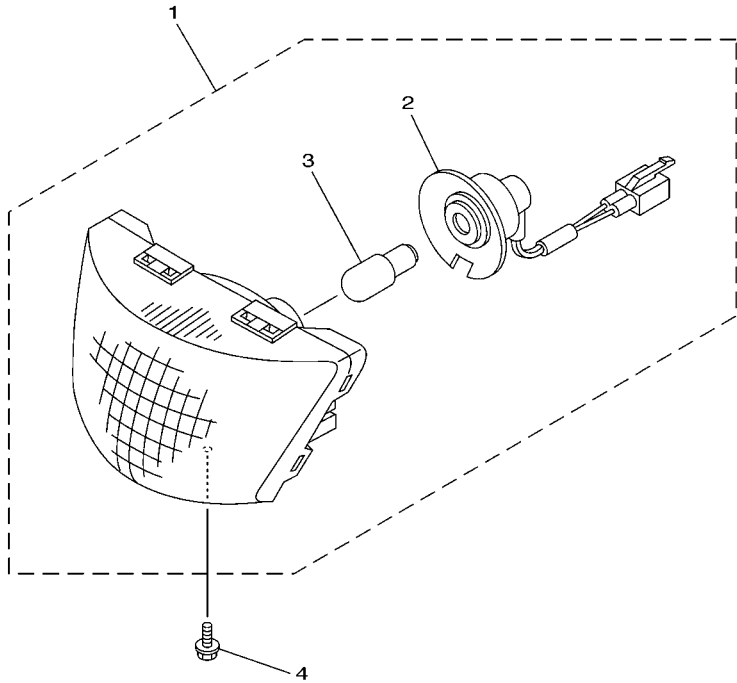


5PV1440-1330

FIG. 33 METER

REF. NO.	PART NO.	DESCRIPTION	5PV2				REMARKS
1	5PV-83570-00	SPEEDOMETER ASSY	1				
2	5PV-83540-00	TACHOMETER ASSY	1				
3	5PV-85750-00	FUEL METER ASSY	1				
4	5PV-83611-00	PANEL, METER	1				
5	5DM-2341B-00	EMBLEM	1				
6	3XL-83568-00	PILOT BOX, UPPER	1				
7	3XL-83519-00	BRACKET, METER	1				
8	51Y-83523-00	DAMPER	4				
9	3XL-83509-00	SOCKET CORD ASSY	1				
10	42X-83517-00	BULB (12V-3W)	4				
11	1YT-83517-00	BULB (12V-1.7W T10)	3				
12	51Y-83579-00	COVER, METER 2	1				
13	51Y-83524-00	WASHER, SPECIAL	4				
14	437-83525-00	CLIP	4				
15	12R-83578-00	KNOB, TRIP METER	1				
16	90157-02031	SCREW, PAN HEAD	1				
17	51Y-83513-00	DAMPER	1				
18	51Y-83541-00	DAMPER	1				
19	90164-04023	SCREW, TAPPING	2				
20	90159-03102	SCREW, WITH WASHER	3				
21	2GV-83517-00	BULB (12V-1.7W T6.5)	1				
22	95027-06025	BOLT, FLANGE	2				
23	5PV-H3550-00	SPEEDOMETER CABLE ASSY	1				
24	3XL-H3560-00	TACHOMETER CABLE ASSY	1				

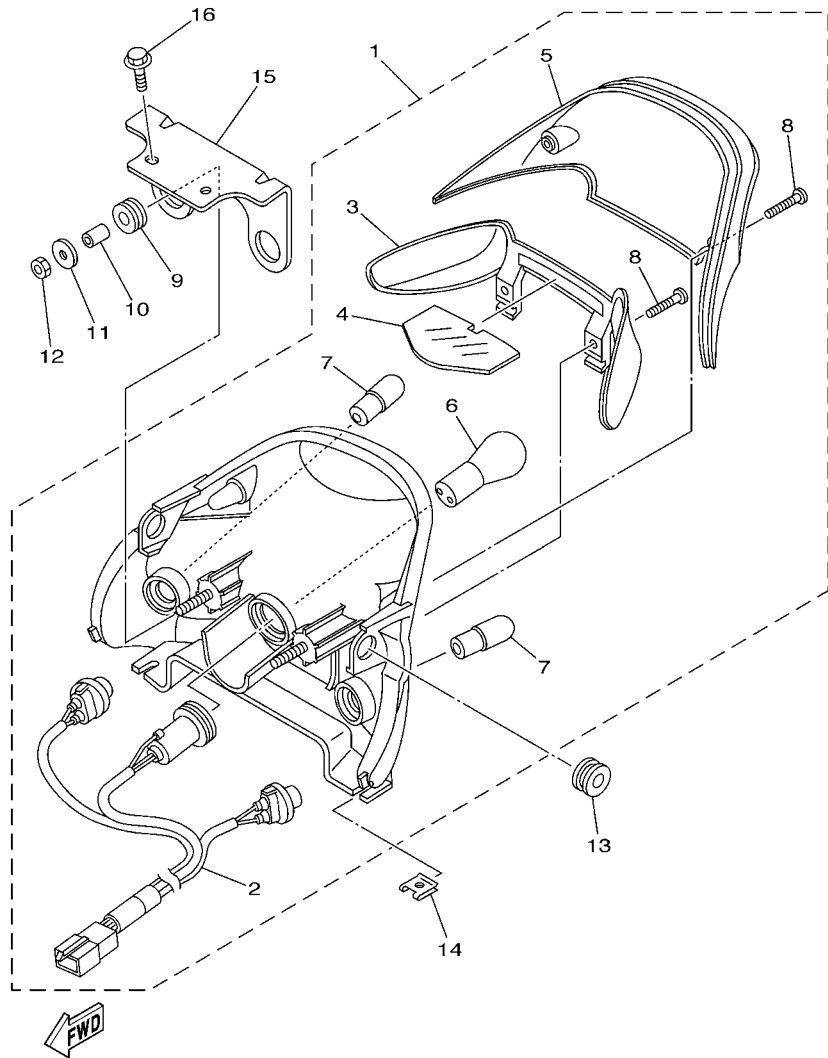




5PV1440-1340

FIG. 34 HEADLIGHT

REF. NO.	PART NO.	DESCRIPTION	5PV2				REMARKS
1	5PV-H4310-00	HEADLIGHT UNIT ASSY	1				
2	4UE-H4312-00	.HOLDER, SOCKET	1				
3	5PV-H4343-00	.BULB (12V-35/30W)	1				
4	90119-05062	BOLT, WITH WASHER	1				

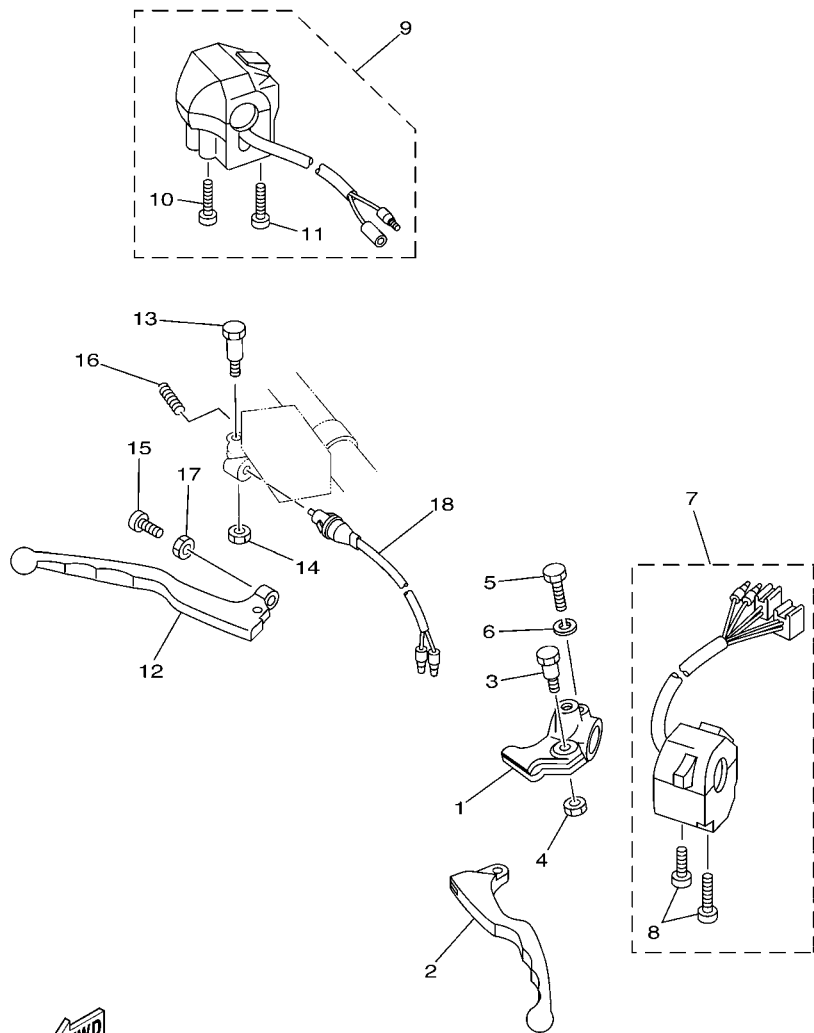


5PV1440-1350

FIG. 35 TAILLIGHT

REF. NO.	PART NO.	DESCRIPTION	5PV2				REMARKS
1	5PV-H4710-00	TAILLIGHT UNIT ASSY	1				
2	5PV-H451E-00	.CORD ASSY	1				
3	5PV-H3332-00	.LENS, FLASHER	1				
4	5CT-8472F-00	.LENS, LICENCE LIGHT	1				
5	5CT-H4721-00	.LENS, TAILLIGHT	1				
6	4US-H4714-00	.BULB (12V-21/5W)	1				
7	5LM-H3311-00	.BULB, FLASHER (12V-10W)	2				
8	97706-40620	.SCREW, TAPPING	4				
9	90480-18880	GROMMET	2				
10	90387-066M1	COLLAR	2				
11	90201-06071	WASHER, PLATE	2				
12	95307-06600	NUT	2				
13	90480-13428	GROMMET	2				
14	90183-05805	NUT, SPRING	3				
15	5PV-H4702-00	BRACKET, TAILLIGHT	1				
16	95807-06012	BOLT, FLANGE	2				

FIG. 36 HANDLE SWITCH & LEVER



3XL3440-0360

REF. NO.	PART NO.	DESCRIPTION	SPV2				REMARKS
1	55K-82911-00	HOLDER, LEVER 1	1				
2	2H0-83912-30	LEVER 1	1				
3	90109-06797	BOLT	1				
4	95607-06100	NUT, U	1				
5	97007-06022	BOLT	1				
6	92907-06100	WASHER, SPRING	1				
7	3XL-H3972-00	SWITCH, HANDLE 4	1				
8	98506-05035	.SCREW, PAN HEAD	2				
9	3XL-H3976-00	SWITCH, HANDLE 1	1				
10	98506-05040	.SCREW, PAN HEAD	1				
11	98506-05045	.SCREW, PAN HEAD	1				
12	4L0-83922-00	LEVER 2	1				
13	90109-06577	BOLT	1				
14	95607-06100	NUT, U	1				
15	90149-06131	SCREW	1				
16	90501-10312	SPRING, COMPRESSION	1				
17	90170-06010	NUT	1				
18	1A0-83980-30	FRONT STOP SWITCH ASSY	1				

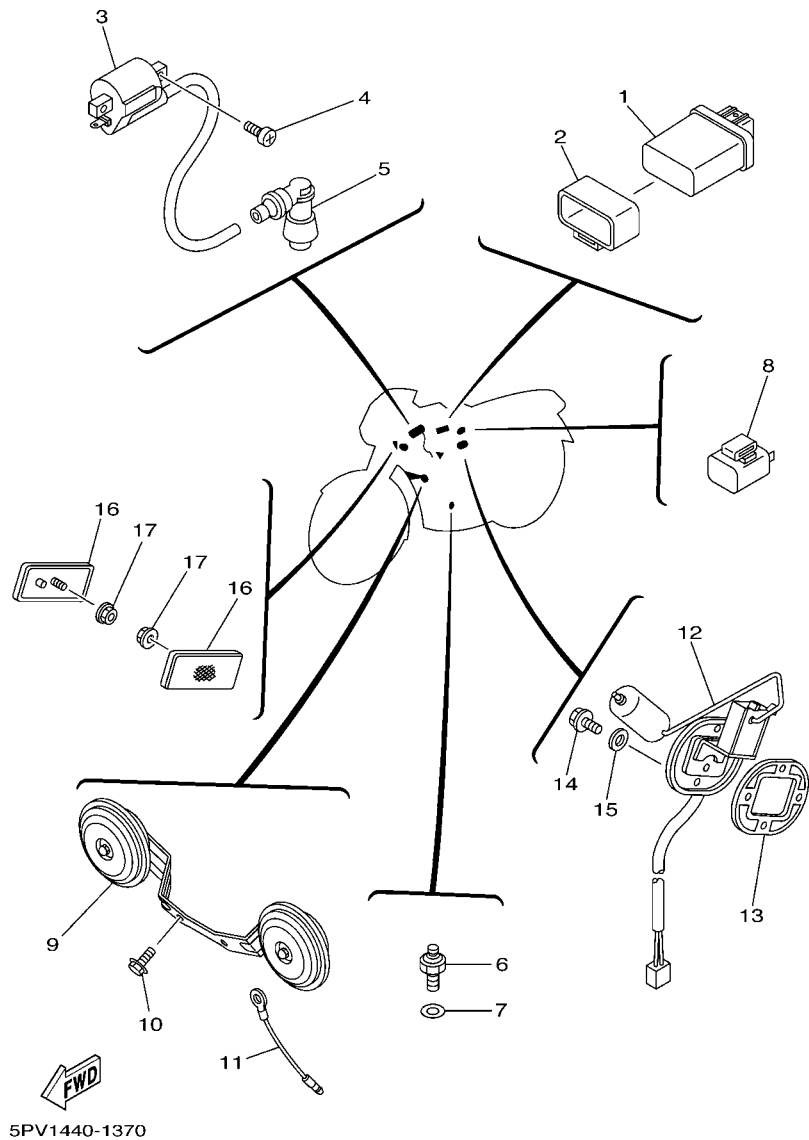
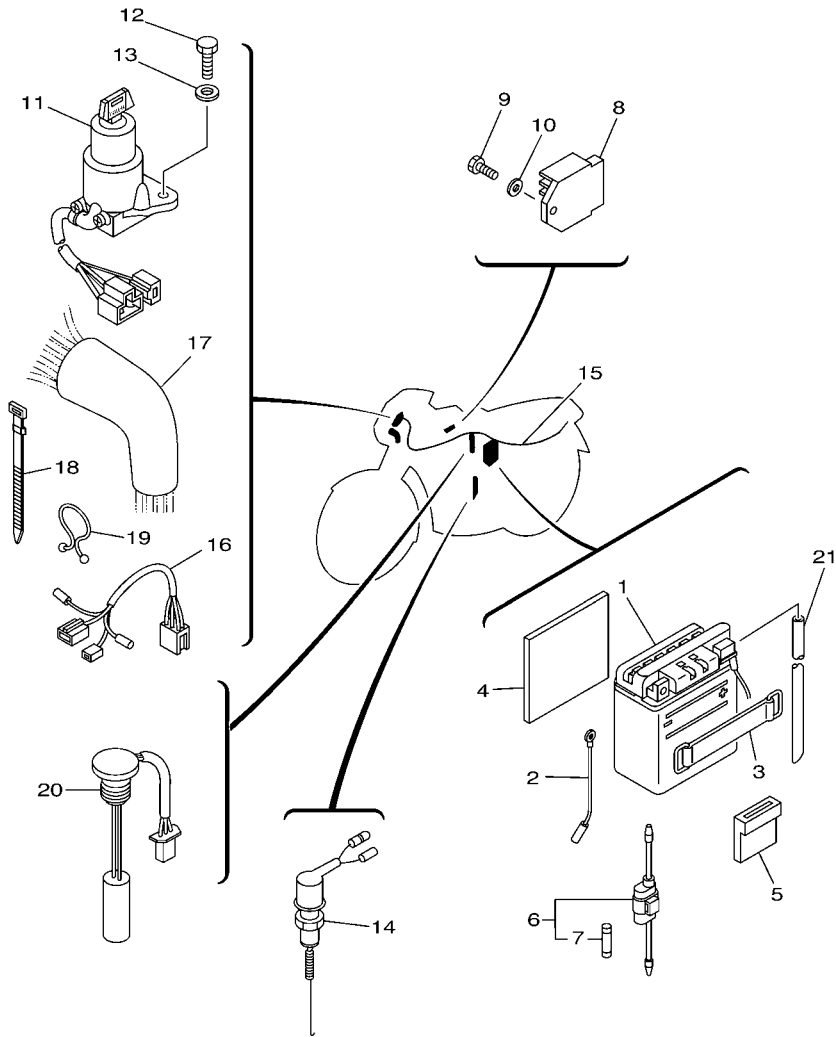


FIG. 37 ELECTRICAL 1

REF. NO.	PART NO.	DESCRIPTION	SPV2				REMARKS
1	5PV-85540-00	C.D.I. UNIT ASSY	1				
2	5PV-H5546-00	BAND	1				
3	4BE-82310-10	IGNITION COIL ASSY	1				
4	9850L-06020	SCREW, PAN HEAD	2				
5	56J-82370-00	PLUG CAP ASSY	1				
6	4KM-82540-00	NEUTRAL SWITCH ASSY	1				
7	90430-10148	GASKET	1				
8	29G-83350-20	FLASHER RELAY ASSY	1				
9	5PV-H3370-00	HORN ASSY	1				
10	95807-08012	BOLT, FLANGE	2				
11	55F-H3373-00	LEAD, HORN	1				
12	55K-85752-00	SENDER UNIT ASSY, FUEL METER	1				
13	2H7-85753-00	GASKET, SENDER UNIT	1				
14	95807-06014	BOLT, FLANGE	4				
15	90202-05193	WASHER, PLATE	4				
16	20G-85110-00	REFLECTOR ASSY	2				
17	95707-05500	NUT, FLANGE	2				



5PV2440-D380

FIG. 38 ELECTRICAL 2

REF. NO.	PART NO.	DESCRIPTION	5PV2				REMARKS
1	3XL-H2100-00	BATTERY ASSY (YB3L-B)	1				
2	5PV-H2116-00	WIRE, MINUS LEAD	1				
3	4J7-H2131-00	BAND, BATTERY	1				
4	5PV-F1638-00	DAMPER 1	1				
5	2N9-H2121-00	PAD, BATTERY	1				
6	2JG-82150-01	FUSE HOLDER ASSY	1				
7	27V-82151-00	.FUSE (7A)	2				
8	3LA-81960-01	RECTIFIER & REGULATOR ASSY	1				
9	98507-06016	SCREW, PAN HEAD	1				
10	92907-06600	WASHER, PLATE	1				
11	55K-82501-30	MAIN SWITCH STEERING LOCK	1				
12	97017-06016	BOLT	2				
13	92907-06600	WASHER, PLATE	2				
14	5R2-82530-02	STOP SWITCH ASSY	1				
15	5PV-H2590-00	WIRE HARNESS ASSY	1				
16	5PV-H2583-00	WIRE, SUB LEAD	1				
17	5PV-H2599-00	COVER, CONNECTER	1				
18	437-83936-11	BAND, SWITCH CORD	1				
19	90464-15800	CLAMP	1				
20	5PV-85720-00	OIL LEVEL GAUGE ASSY	1				
21	90445-084A7	HOSE (L540)	1				

NUMERICAL INDEX

PART NO.	REF. NO.	PART NO.	REF. NO.	PART NO.	REF. NO.	PART NO.	REF. NO.	PART NO.	REF. NO.	PART NO.	REF. NO.
55K-11111-10	1 - 1	3BS-13610-00	4 - 1	10V-16154-00	10 - 13	3Y6-2317J-00	20 - 16	55K-28100-00	23 - 20	5PV-E4711-01	6 - 4
30X-11127-00	1 - 16	3BS-13613-00	4 - 2	4V0-16154-00	10 - 4	156-23411-00	21 - 34	3LA-81960-01	38 - 8	5PV-E4718-00	6 - 5
55K-11127-00	1 - 4	3BS-13613-10	4 - 6	4V0-16321-00	10 - 8	183-23411-00	20 - 2	2JG-82150-01	38 - 6	5PV-E4728-00	6 - 6
463-11127-02	1 - 2	10V-13616-01	4 - 3	1V1-16324-00	10 - 3	156-23412-00	20 - 1	27V-82151-00	38 - 7	5PV-E4758-00	6 - 7
4Y2-11129-00	1 - 5	3GG-13621-00	4 - 7	10V-16351-00	10 - 5	183-23412-00	20 - 3	4BE-82310-10	37 - 3	2N9-E5618-00	9 - 17
55K-11161-00	1 - 3	31J-14103-00	5 - 11	1W1-16356-02	10 - 17	136-23415-00	20 - 5	56J-82370-00	37 - 5	3XL-E5620-00	9 - 10
4X8-11162-00	1 - 15	10W-14104-00	5 - 23	2X3-16357-00	10 - 21	5DM-2341B-00	33 - 5	55K-82501-30	38 - 11	3XL-E5621-00	9 - 11
55G-11181-00	1 - 9	1TT-14107-25	5 - 4	1W1-16358-01	10 - 16	2H9-23469-00	27 - 5	5R2-82530-02	38 - 14	3XL-E8111-00	14 - 7
5PV-11311-00	1 - 10	3RR-1411F-20	5 - 26	4Y2-16371-01	10 - 2	341-23469-00	23 - 16	4KM-82540-00	37 - 6	3XL-E8112-00	14 - 8
55K-1131E-00	1 - 11	248-14131-00	5 - 25	55K-16380-01	10 - 22	3Y6-24183-00	22 - 4	55K-82911-00	36 - 1	5H3-E8113-00	14 - 13
55K-1131M-10	1 - 12	156-14135-00	5 - 21	55K-17121-00	11 - 2	55F-24500-10	22 - 7	29G-83350-20	37 - 8	3XL-E8115-00	14 - 9
55K-11326-00	1 - 13	353-14138-00	5 - 13	10W-17131-01	11 - 3	4X8-24512-00	22 - 8	3XL-83509-00	33 - 9	5PV-F1110-00-33	15 - 1
55K-11351-01	1 - 17	5PV-14141-38	5 - 8	10W-17151-02	11 - 4	55K-24515-00	22 - 9	51Y-83513-00	33 - 17	55F-F113J-00	15 - 9
55K-11400-01	2 - 1	1NT-14142-22	5 - 2	55G-17161-00	11 - 5	3AJ-24534-00	22 - 11	1YT-83517-00	33 - 11	55F-F113K-00	15 - 10
55K-11412-01	2 - 2	137-14143-39	5 - 3	10W-17211-00	11 - 11	55K-24565-00	22 - 10	2GV-83517-00	33 - 21	55F-F1165-00	15 - 7
55K-11422-00	2 - 3	132-14146-00	5 - 14	10W-17221-00	11 - 12	4X8-24650-05	22 - 14	42X-83517-00	33 - 10		20 - 12
55K-11454-00	2 - 21	137-14153-00	5 - 9	10W-17231-00	11 - 13	55K-24705-00	23 - 8	3XL-83519-00	33 - 7	5PV-F1315-00	15 - 17
55K-11530-00	2 - 25	802-14161-00	5 - 12	10W-17241-01	11 - 14	116-24741-00	23 - 6	51Y-83523-00	33 - 8	55F-F1359-00	15 - 13
10V-11536-01	2 - 20	3X3-14169-00	5 - 24	10W-17251-01	11 - 15	55K-24760-00	23 - 9	51Y-83524-00	33 - 13	55F-F1510-10-33	16 - 1
5PV-11603-00	2 - 9	5PV-14171-00	5 - 22	10W-17261-00	11 - 16	55K-25118-00	24 - 19	437-83525-00	33 - 14	55F-F1510-10-P4	16 - 1
5PV-11604-00	2 - 9	132-14173-00	5 - 19	55K-17411-01	11 - 1	3M5-25181-00	24 - 20	5PV-83540-00	33 - 2	55F-F1510-10-P8	16 - 1
5PV-11605-00	2 - 9	152-14174-00	5 - 20	55K-17421-00	11 - 10	3M5-25190-10	24 - 17	51Y-83541-00	33 - 18	15K-F1518-00	16 - 3
5PV-11606-00	2 - 9	304-14184-00	5 - 10	5H0-17456-00	11 - 26	3Y6-2533A-01	26 - 16	3XL-83568-00	33 - 6	55F-F1611-01	16 - 4
5PV-11607-00	2 - 9	314-14185-00	5 - 7	55K-17471-00	11 - 28	248-25351-10	26 - 12	5PV-83570-00	33 - 1	55F-F1629-00	16 - 12
5PV-11631-00-A0	2 - 8	127-14186-00	5 - 5	4L0-17811-00	12 - 5	18G-25381-00	26 - 39	12R-83578-00	33 - 15	5PV-F1638-00	38 - 4
4Y2-11633-00	2 - 11	12R-14191-00	5 - 18	4L0-17818-00	12 - 7	3M5-25412-00	26 - 23	51Y-83579-00	33 - 12	4HF-F1685-00	16 - 7
5PV-11635-00	2 - 8	3RR-14193-10	5 - 17	55K-17831-01	12 - 2	3XL-2580U-00	25 - 4	3XL-83611-00	33 - 4	5PV-F1711-00-P1	17 - 1
5PV-11636-00	2 - 8	183-14197-00	5 - 16	17F-17841-00	12 - 3	4X8-25827-00	25 - 6	2H0-83912-30	36 - 2	5PV-F171E-00-P1	17 - 13
5PV-11637-00	2 - 8	29N-14437-00	4 - 24	17F-17861-00	12 - 1	4H7-25852-00	28 - 4	4L0-83922-00	36 - 12	5PV-F1731-00-P1	17 - 5
5PV-11638-00	2 - 8	3PA-14613-10	6 - 1	55K-18101-05	14 - 4	4L0-25854-00	28 - 3	437-83936-01	15 - 16	5PV-F173E-30	17 - 19
55K-11651-00	2 - 4	5PV-1490J-00	5 - 6	10V-18140-00	13 - 9	4L0-25862-01	28 - 12	437-83936-11	38 - 18	5PV-F173E-40	17 - 19
55K-11681-00	2 - 5	55K-15111-00	7 - 1	5R2-18154-00	14 - 12	4L0-25867-00	28 - 6	1A0-83980-30	36 - 18	5PV-F173E-50	17 - 19
55K-13101-02	3 - 1	55K-15121-00	7 - 2	5R2-18185-00	13 - 2	2RJ-25870-00	28 - 1	5CT-8472F-00	35 - 4	5PV-F173F-30	17 - 20
126-13116-01	3 - 13	55K-15128-00	7 - 7	55K-18511-01	13 - 12	55K-25875-00	28 - 9	20G-85110-00	37 - 16	5PV-F173F-40	17 - 20
363-13133-01	3 - 20	3Y1-15361-00	8 - 4	55K-18512-00	13 - 13	4X8-25876-00	28 - 15	5PV-85540-00	37 - 1	5PV-F173F-50	17 - 20
137-13137-00-03	3 - 5	3Y1-15363-00	8 - 11	55K-18513-00	13 - 14	4X8-25917-00	25 - 11	5PV-85550-00	31 - 1	5PV-F173X-00	17 - 26
137-13137-00-05	3 - 5	120-15371-00	7 - 11	55K-18531-00	13 - 15	11H-25919-00	25 - 9	5PV-85560-00	31 - 2	5PV-F173X-10	17 - 26
137-13137-00-10	3 - 5	55K-15411-00	8 - 1	55K-18535-00	13 - 16	34L-25924-00	25 - 8	5PV-85720-00	38 - 20	5PV-F173X-20	17 - 26
137-13138-01	3 - 4	55K-15416-10	8 - 9	55G-18540-00	13 - 1	5R2-25937-00	25 - 12	5PV-85750-00	33 - 3	5PV-F1741-00-P1	17 - 9
18G-13174-00	3 - 10	55K-15421-10	8 - 3	136-18542-00	13 - 7	3XX-26121-00	27 - 1	55K-85752-00	37 - 12	3XL-F1745-00	18 - 4
367-13174-00	3 - 24	55K-15451-01	8 - 6	3R4-18561-00	13 - 5	3XX-26122-00	27 - 2	2H7-85753-00	37 - 13	3BS-F1747-00	4 - 25
55K-13175-01	3 - 11	2RH-15492-00	8 - 13	25G-21535-00	30 - 3	1E6-26372-00	27 - 18	5PV-E4101-00	5 - 1	5PV-F174G-00	17 - 22
137-13176-00	3 - 16	10V-15641-00	9 - 2	1J7-21717-00	23 - 19	584-26393-02	27 - 10	55F-E4411-00	4 - 16	5PV-F174G-10	17 - 22
10V-13178-01	3 - 17	10V-15651-00	9 - 7	10V-21771-00	18 - 2	55K-27112-00	29 - 46	55F-E4412-00	4 - 17	5PV-F174G-20	17 - 22
31K-13565-01	4 - 8	55K-15660-00	9 - 1	55K-22129-00	19 - 5	55K-27231-02	29 - 10	3BS-E4451-00	4 - 19	5PV-F174H-00	17 - 23
3XL-13575-00	4 - 9	10V-15666-00	9 - 6	55K-22141-00	19 - 8	55K-27252-00	29 - 6	3XL-E4453-00	4 - 23	5PV-F174H-10	17 - 23
55K-13581-01	4 - 11	2A6-16111-00	10 - 9	3V3-23122-00	21 - 15	33M-27437-00	29 - 26	55F-E4468-00	4 - 18	5PV-F174H-20	17 - 23
55K-13584-00	4 - 13	55K-16150-00	10 - 1		21 - 31		29 - 35	3XL-E4476-00	4 - 20	5PV-F174J-00	17 - 24

NUMERICAL INDEX

PART NO.	REF. NO.	PART NO.	REF. NO.	PART NO.	REF. NO.	PART NO.	REF. NO.	PART NO.	REF. NO.	PART NO.	REF. NO.
5PV-F174J-10	17 - 24	3XL-F4110-00-P9	22 - 1	3BS-F539F-00	26 - 48	5PV-F8392-50	30 - 16	90105-08721	15 - 3	90170-12337	2 - 27
5PV-F174J-20	17 - 24	3XL-F4181-00	22 - 2	3XL-F5446-00	26 - 21	5PV-F8393-30	30 - 29	90105-10006	20 - 9	90171-14016	26 - 42
5PV-F174K-00	17 - 25	3XL-F4182-00	22 - 3	5PV-F582U-00	25 - 1	5PV-F8393-40	30 - 29	90105-10634	25 - 13	90171-14020	24 - 21
5PV-F174K-10	17 - 25	3XL-F4186-00	22 - 5	5H3-F5843-00	25 - 3	5PV-F8393-50	30 - 29	90105-10778	19 - 20	90175-06013	29 - 16
5PV-F174K-20	17 - 25	5PV-F4244-30	22 - 20	5H3-F5846-00	24 - 8	5PV-F8394-30	30 - 30	90109-063F7	13 - 11	90176-08061	1 - 7
55F-F1751-00	18 - 1	5PV-F4244-40	22 - 20	3XL-F5872-00	28 - 8	5PV-F8394-40	30 - 30	90109-06470	29 - 7	90179-08148	27 - 13
55F-F177G-00	17 - 16	5PV-F4244-50	22 - 20	3YR-F6129-00	27 - 17	5PV-F8394-50	30 - 30	90109-06577	36 - 13	90179-08168	26 - 24
55F-F1785-00	17 - 18	5PV-F4245-30	22 - 21	5PV-F6240-00	27 - 6	3XL-H2100-00	38 - 1	90109-06797	36 - 3	90179-08299	1 - 21
5PV-F2110-00-WN	19 - 1	5PV-F4245-40	22 - 21	4UL-F6241-00	27 - 7	5PV-H2116-00	38 - 2	90109-08063	26 - 34	90179-12248	31 - 5
3XL-F2151-00	19 - 10	5PV-F4245-50	22 - 21	3XL-F6246-00	27 - 8	2N9-H2121-00	38 - 5	90109-08361	26 - 22	90179-12659	9 - 18
3XL-F2210-00	19 - 16	5PV-F4246-30	22 - 22	5PV-F6260-00	27 - 9	4J7-H2131-00	38 - 3	90109-08367	25 - 2		10 - 11
55F-F2311-00	19 - 13	5PV-F4246-40	22 - 22	3YR-F6280-00	27 - 14	5PV-H2583-00	38 - 16	90109-08368	26 - 35	90179-25802	20 - 6
5PV-F3102-10	21 - 1	5PV-F4246-50	22 - 22	3YR-F6290-00	27 - 15	5PV-H2590-00	38 - 15	90109-10473	29 - 3	90183-05805	35 - 14
5PV-F3103-10	21 - 17	5PV-F4247-30	22 - 23	5LW-F629T-00	27 - 16	5PV-H2599-00	38 - 17	90109-105A5	29 - 49	90185-08054	15 - 4
5PV-F3106-00	21 - 2	5PV-F4247-40	22 - 23	3XL-F6335-00	27 - 11	5PV-H3310-00	32 - 1	90116-08166	6 - 2	90185-10037	29 - 4
5PV-F3107-00	21 - 18	5PV-F4247-50	22 - 23	3XL-F6372-00	27 - 19	4AC-H3311-00	32 - 2	90116-08318	1 - 18	90201-05013	6 - 11
3XL-F3110-10	21 - 3	3XL-F4724-00	23 - 7	5PV-F7111-00-33	29 - 45		32 - 9	90116-08388	1 - 19	90201-05725	30 - 6
		3XL-F4728-00	23 - 3	5PV-F7211-00	29 - 5	5LM-H3311-00	35 - 7	90116-08393	1 - 6	90201-06055	6 - 12
1X0-F3111-00	21 - 12	5PV-F4730-00	23 - 1	5BU-F7214-00	29 - 51	4TT-H3312-00	32 - 3	90119-05001	10 - 7	90201-06071	35 - 11
		5PV-F4731-00	23 - 2	55F-F7311-01	29 - 1		32 - 10	90119-05062	19 - 11	90201-06557	30 - 13
146-F3114-00	21 - 18	3XL-F4738-00	23 - 4	3XL-F7410-00	29 - 17	4TT-H331E-00	32 - 5		34 - 4	90201-06674	12 - 8
		5PV-F473R-00	23 - 17	3XL-F7413-00	29 - 18	5PV-H3320-00	32 - 8	90119-06044	16 - 5	90201-08624	3 - 12
5PV-F3118-00	21 - 9	5PV-F473T-00	23 - 18		29 - 20	5PV-H3321-00	32 - 6		18 - 6	90201-087H6	12 - 4
		5BU-F4742-00	23 - 14	3XL-F741G-00	15 - 21	4TT-H332E-00	32 - 12	90119-06056	19 - 15	90201-10118	28 - 14
3XL-F3141-00	21 - 7	5PV-F476U-00	22 - 18	3XL-F7420-00	29 - 19	5PV-H3332-00	35 - 3	90119-06060	23 - 22	90201-101J1	6 - 16
		5PV-F476V-00	22 - 19	3XL-F7430-00	29 - 21	5PV-H3341-00	32 - 13		23 - 23	90201-106F2	19 - 19
3XL-F3144-10	21 - 6	5BU-F4773-00-P5	23 - 13	3XL-F7433-00	29 - 22	5PV-H3370-00	37 - 9	90119-06079	17 - 17	90201-12190	19 - 17
		37L-F5111-00-98	24 - 1		29 - 31	55F-H3373-00	37 - 11	90119-06114	16 - 6	90201-122F8	7 - 13
3XL-F3145-10	21 - 16	5H3-F5115-00	24 - 3	3XL-F7440-00	29 - 30	5PV-H3550-00	33 - 23	90119-06117	4 - 12	90201-123L6	31 - 4
			26 - 3	5PV-F7452-10	29 - 39	3XL-H3560-00	33 - 24		19 - 14	90201-12749	14 - 15
3XL-F3146-10	21 - 8	5H3-F5149-00	24 - 7	5PV-F7462-10	29 - 41	3XL-H3972-00	36 - 7	90123-08046	27 - 12	90201-127J6	9 - 14
		5H3-F5195-00	24 - 11	55F-F811G-00	23 - 21	3XL-H3976-00	36 - 9	90149-06011	22 - 12	90201-14217	10 - 24
509-F3158-L0	21 - 10	5H3-F5196-00	24 - 9	5PV-F8350-00-33	30 - 1	5PV-H4310-00	34 - 1	90149-06131	36 - 15	90201-154E8	9 - 8
		5H3-F5197-00	24 - 10	5PV-F8350-00-P0	30 - 1	4UE-H4312-00	34 - 2	90150-05023	30 - 4	90201-156J5	26 - 51
1X0-F3168-00	21 - 14	55F-F5311-00-98	26 - 1	5PV-F8350-00-P1	30 - 1	5PV-H4343-00	34 - 3	90150-06021	30 - 18	90201-20266	11 - 6
		55F-F5321-00-98	26 - 9	5PV-F8365-00	30 - 7	5PV-H451E-00	35 - 2	90151-05023	13 - 6	90201-202F9	9 - 4
55F-F3170-00	21 - 4	29M-F5330-00	26 - 10	3XL-F836A-00	30 - 21	5PV-H4702-00	35 - 15	90154-06029	1 - 14	90201-203F0	13 - 8
		3XL-F5355-00	26 - 13	3XL-F836E-00	30 - 22	5PV-H4710-00	35 - 1	90157-02031	33 - 16	90201-22555	11 - 21
2K5-F3173-00	21 - 5	5H3-F5364-00	26 - 8	5PV-F836F-00	30 - 23	4US-H4714-00	35 - 6	90157-06071	8 - 14	90202-05193	22 - 13
		55F-F5366-00	26 - 17	3XL-F836G-00	30 - 26	5CT-H4721-00	35 - 5		11 - 29		37 - 15
5PV-F3174-00	20 - 11	55F-F5371-00	26 - 33	5PV-F8371-00	30 - 9	4VH-H5130-00	16 - 10	90159-03102	33 - 20	90202-10165	30 - 20
278-F3181-50	21 - 11	3BS-F5388-10	26 - 46	5PV-F8381-00	30 - 2	5PV-H5546-00	37 - 2	90159-06067	17 - 4	90204-12007	10 - 10
		3BS-F5389-00	26 - 47	5PV-F8385-00-33	30 - 17	4L0-W0041-00	28 - 2		17 - 12	90206-12074	14 - 17
55F-F3340-00	21 - 33	55F-F5395-00	26 - 25	5PV-F8391-30	30 - 15	3XL-W0045-00	25 - 5		17 - 14	90208-12015	10 - 14
1M3-F3346-01	21 - 35	55F-F5396-00	26 - 26	5PV-F8391-40	30 - 15	404-W0048-30	25 - 10	90159-06084	4 - 26	90208-12040	9 - 16
3XL-F3435-00	20 - 7	55F-F5397-00	26 - 27	5PV-F8391-50	30 - 15	4X8-W0057-00	25 - 7	90164-04023	33 - 19	90208-17032	10 - 12
3XL-F4110-00-33	22 - 1	5BU-F5398-00	24 - 16	5PV-F8392-30	30 - 16	90101-06278	26 - 14	90170-06010	36 - 17	90209-06187	19 - 12
3XL-F4110-00-P5	22 - 1		26 - 32	5PV-F8392-40	30 - 16	90105-08045	15 - 2	90170-12060	10 - 15	90209-10020	20 - 10

NUMERICAL INDEX

PART NO.	REF. NO.	PART NO.	REF. NO.	PART NO.	REF. NO.	PART NO.	REF. NO.	PART NO.	REF. NO.	PART NO.	REF. NO.
90209-15270	11 - 17	90468-26048	9 - 3	92907-06100	12 - 10	93306-20313	2 - 23	95607-06100	36 - 4	98507-05010	29 - 23
90209-18135	11 - 19	90480-01141	17 - 7		15 - 23	93306-20529	2 - 13		36 - 14		29 - 32
90209-22257	2 - 6	90480-12053	17 - 15		29 - 8	93306-30304	11 - 8	95607-12200	19 - 9	98507-05014	3 - 14
90215-12235	2 - 26	90480-12320	20 - 14		36 - 6	93306-30401	11 - 23	95707-05500	16 - 11	98507-06012	15 - 11
90240-06076	29 - 11		23 - 12	92907-06200	10 - 18	93306-30421	2 - 14		30 - 5		28 - 10
90249-12008	29 - 15	90480-13398	17 - 2		14 - 10	93310-216J2	2 - 10		37 - 17	98507-06016	23 - 10
90280-03017	2 - 18	90480-13428	30 - 12		29 - 28	93310-522J0	2 - 7	95707-06500	23 - 5		38 - 9
90282-04036	13 - 4		35 - 13		29 - 37	93315-21813	19 - 3	95707-08500	6 - 3	98507-06025	4 - 21
90282-05013	2 - 24	90480-13804	17 - 6	92907-06600	4 - 22	93317-218Y4	19 - 2		15 - 19	98507-06030	7 - 9
90282-05047	2 - 19		17 - 10		15 - 12	93410-20038	11 - 7	95707-10500	6 - 15	98507-06045	7 - 4
90338-16148	15 - 6	90480-18880	35 - 9		15 - 24	93410-22039	11 - 20		19 - 18	98507-06060	7 - 10
90338-18122	15 - 5	90501-10245	29 - 14		23 - 11	93430-08007	3 - 19		29 - 50	98507-08010	7 - 8
90340-12059	7 - 5	90501-10312	36 - 16		28 - 11		9 - 15	95807-06012	20 - 13	98507-08020	31 - 3
90380-12121	19 - 7	90501-13866	9 - 12		29 - 12	93430-10015	29 - 47		20 - 15	9850L-06020	37 - 4
90387-06043	30 - 19	90501-16761	29 - 24		38 - 10	93450-17044	2 - 12		35 - 16	98706-04012	28 - 5
90387-060G7	17 - 3		29 - 33		38 - 13	93501-04011	20 - 4	95807-06014	37 - 14	98901-04008	3 - 3
90387-066M1	35 - 10	90501-20568	10 - 6	92907-08100	26 - 38		29 - 25	95807-08012	15 - 8	98907-06008	6 - 10
90387-06820	16 - 9	90506-14006	26 - 11	92907-08600	30 - 25		29 - 34		37 - 10	98907-06010	6 - 8
90387-068J7	30 - 11	90506-20221	29 - 9	92907-10600	6 - 14	93503-16003	10 - 20	95817-06016	16 - 2	98907-06012	15 - 14
90387-121G8	19 - 6	90506-35297	29 - 48	93101-10001	3 - 15	93507-32819	9 - 13	95817-08016	15 - 20	98980-06010	6 - 9
90387-150M4	26 - 41	90507-29033	29 - 2	93101-12173	14 - 1	93603-22028	3 - 18	95817-08040	15 - 18	99001-10600	14 - 3
90387-151M3	24 - 18	90508-10514	14 - 5	93102-20143	11 - 24	93608-30152	14 - 6	95827-06025	28 - 7	99009-12400	14 - 16
90387-15877	26 - 20	90508-20555	10 - 23	93103-25098	2 - 15	93822-16095	11 - 25	97007-06012	12 - 9	99009-15400	9 - 9
90387-15878	26 - 40	90508-26556	9 - 5	93103-28097	2 - 16	94108-18801	24 - 13		30 - 27	99241-00080	30 - 14
90387-207F3	2 - 17	90508-26561	13 - 10	93104-14004	10 - 25	94109-18801	26 - 28	97007-06016	16 - 8	99241-00180	30 - 31
90401-10159	28 - 13	90508-32642	14 - 2	93104-22018	26 - 6	94225-18876	24 - 14		29 - 43	99244-00080	17 - 21
90430-04004	3 - 2	90560-12191	14 - 18	93105-45017	24 - 6	94230-18875	26 - 29	97007-06022	36 - 5	99530-10114	1 - 20
90430-10148	37 - 7	90560-15136	26 - 2	93106-22016	24 - 5	94327-18846	24 - 15	97007-06025	30 - 10		8 - 5
90430-12227	7 - 6	90560-15293	24 - 2	93106-26815	26 - 19		26 - 30	97007-08016	30 - 24	99530-12016	7 - 3
90445-05681	3 - 8	91314-08025	20 - 8	93109-18824	19 - 4	94416-18810	24 - 12	97007-08030	22 - 6		
90445-084A7	38 - 21		27 - 3	93109-20014	9 - 19	94416-18827	26 - 31	97017-06016	38 - 12		
90445-091K5	22 - 16	91314-10020	29 - 40	93210-07100	3 - 21	94580-88120	26 - 44	97027-06010	11 - 27		
90445-092E8	3 - 25		29 - 42	93210-12095	11 - 18	94680-88001	26 - 45	97027-06020	14 - 14		
90445-21551	4 - 14	91314-10035	6 - 13	93210-12327	12 - 6	94701-00261	1 - 8		15 - 22		
90446-07009	7 - 12	91317-06016	27 - 4	93210-19123	8 - 12	95027-06025	4 - 10	97607-04116	5 - 15		
90460-49058	4 - 27	91317-08030	23 - 15	93210-42101	26 - 7		33 - 22	97701-30112	32 - 4		
90464-15800	38 - 19	91401-20012	14 - 11	93306-00406	26 - 18	95027-06030	8 - 2		32 - 11		
90464-20031	15 - 15		29 - 13	93306-00422	13 - 3		8 - 7	97706-40620	35 - 8		
90467-08003	18 - 3		29 - 29	93306-004YD	26 - 18	95027-06035	8 - 8	97707-50012	30 - 8		
90467-08075	3 - 26		29 - 38	93306-20201	11 - 9	95027-06040	8 - 10		32 - 7		
	18 - 5	91401-30030	24 - 22		11 - 22	95301-05600	3 - 7		32 - 14		
90467-09006	22 - 17		26 - 43	93306-20204	26 - 5	95304-08600	26 - 49	97707-50016	17 - 8		
90467-20050	4 - 15	91701-06040	29 - 27	93306-20205	24 - 4	95307-06600	10 - 19		17 - 11		
90468-02033	3 - 9		29 - 36		26 - 4		26 - 15	98506-05035	36 - 8		
	4 - 28	92901-05100	3 - 6	93306-20216	2 - 22		29 - 44	98506-05040	36 - 10		
90468-08086	3 - 22	92903-08600	26 - 50	93306-202YK	26 - 5		30 - 28	98506-05045	36 - 11		
90468-12007	26 - 37	92903-14200	24 - 23	93306-202YL	24 - 4		35 - 12	98507-03008	4 - 4		
90468-15020	3 - 23	92907-03100	4 - 5		26 - 4	95307-08600	26 - 36	98507-05010	22 - 15		