



NSC110CS

NSC110CS_D
NSC110CS_E
NSC110CS_G

PARTS CATALOGUE

2

FOREWORD INDEX

1

ENGINE GROUP

2

FRAME GROUP

3

PART NUMBER INDEX

4

PART NAME INDEX

5

Instruction for use of parts catalogue

- **This parts catalogue has been created as of August 20, 2015.**
 - Since this date, the sales practice for repair parts may have been changed or the parts may have been eliminated (listed for those not for sale).
 - The modified information is reflected on the latest Electronic Parts Catalogue (EPC). Also, refer to the parts catalogue news for any change.
 - See the parts catalogue news for any revision that is made after August 20, 2015.
- **Always specify the part number when ordering a part.**
 - Check the model, type, serial numbers, color, maker, and the size as needed before ordering a part.
 - Note that the illustrations (part drawings) can differ from the actual parts in shape. They are given just to help you to refer to the parts.
- **When modifications or additions to this parts catalogue are made, a revised edition will be issued at an appropriate time, with successively progressing revision numbers on the cover. We recommend obtaining such revisions in order to keep your parts catalogue up-to-date at all times. To check whether a parts catalogue revision has been issued, please contact your Honda distributor.**

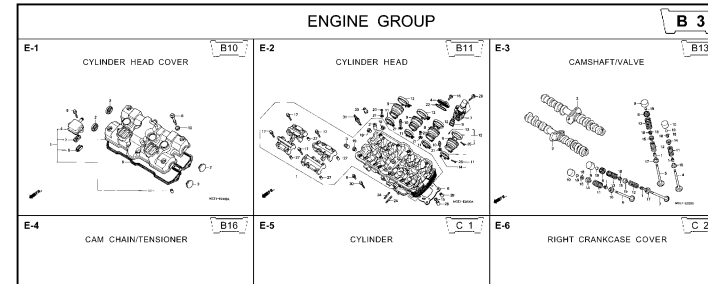
Initial version issue date
September 01, 2012
Honda Motor Co., Ltd.

CONTENTS

	Page	Address No.
● Instruction for use of parts catalogue	1	B 1
● How to refer to the part information	2	B 2
● Part catalogue structure	3	B 3
● When the parts were revised	5	B 5
● Abbreviations used in the parts catalogue.....	5	B 5
● Part block and serial number check	6	B 6
● Models, parts catalogue codes and applicable serial numbers	7	B 7
● Color chart	8	B 8
● Fuel hose, general purpose hoses and vinyl hose.....	17	C 1
● FLAT RATE SERVICE TIME	21	C 5
● Illustrated index	26	C10
● ENGINE GROUP	32	D 1
● FRAME GROUP	54	F 1
● PART NO. INDEX.....	103	J 1
● PART NAME INDEX.....	107	K 1

How to refer to the part information

A Reference with "Illustrated index"

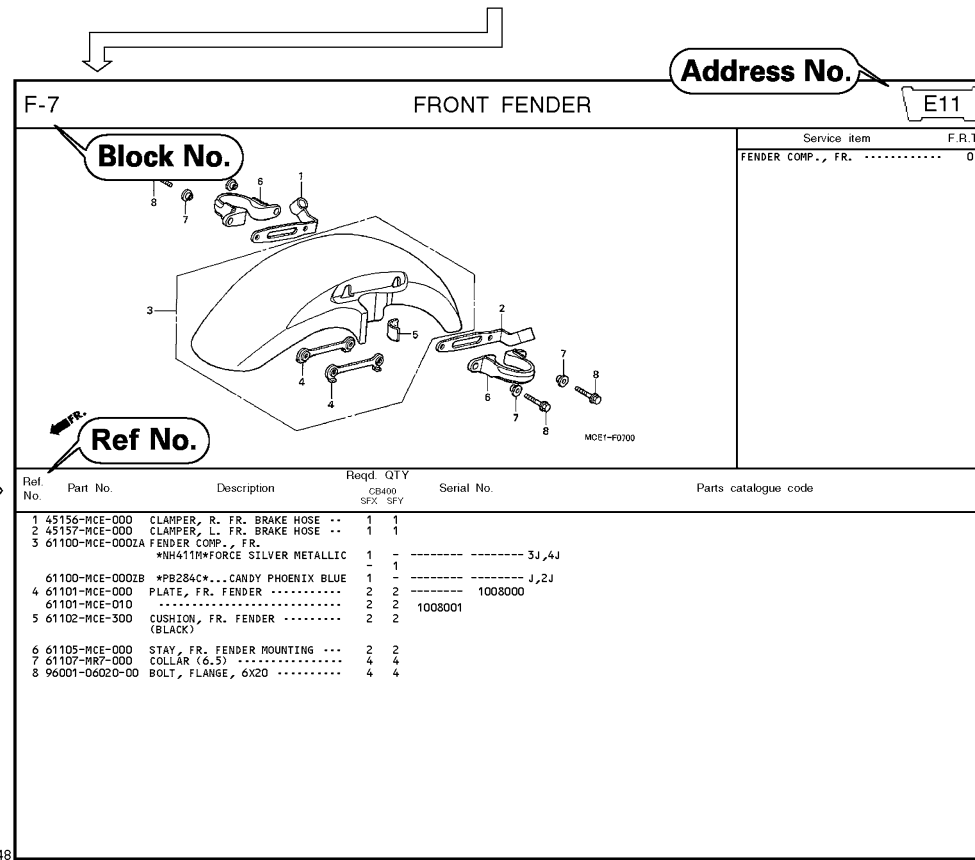


B Reference with "Part number index"

PART NO. INDEX					
Part Number	Address	Page	Ref.	Part Number	Address Page Ref.
04000				13323-MY9-751	C12 28 10 14921
04911-MCE-000	C10	26	1	13324-MY9-751	C12 28 10 14931
				13325-MY9-751	C12 28 10 14935
				13327-MY9-751	C12 28 10 14935
06000				14000	14935
06405-MY5-P00	F13	67	3	14100-MCE-000	B13 13 2 14935
06405-MY5-P10	F13	67	3	14200-MCE-000	B13 13 3 14935
06410-MY9-860	F2	56	1	14321-MCE-000	B16 16 2 14935
06435-MCE-006	F1	55	1	14401-MCE-003	B16 16 3 14935
06451-166-405	E13	51	2	14510-MBE-000	B16 16 4 14944
06451-443-405	F1	55	2	14520-MY9-691	B16 16 5 14944
06451-MA7-405	E13	51	1	14524-MY9-690	B16 16 6 14944
06455-MCE-006	E13	51	3	14546-MCE-000	B16 16 7 14944
				14620-MY9-691	B16 16 8 14944
11000				14711-MCE-000	B13 13 4 14944
11210-MCE-000	C9	25	1	14712-MCE-000	B13 13 5 14944
11330-MCE-305	C2	18	1	14721-MCE-000	B13 13 6 14944
11333-KT8-000	C6	22	1	14722-MCE-000	B13 13 7 14944
11335-MCE-000	C2	18	2	14730-MCE-000	B13 13 8 14944
11360-MCE-000	C7	23	1	14731-MCE-000	B13 13 9 14944
11365-MCE-000	C7	23	2	14731-MY9-751	B13 13 10 14944
11396-MY9-000	C2	18	3	14751-KY2-000	B13 13 11 14944
11631-MCE-000	C5	21	1	14751-MCE-000	B13 13 12 14944
11691-MY9-000	C5	21	2	14761-MCE-000	B13 13 13 14944

C Reference with "Part name index"

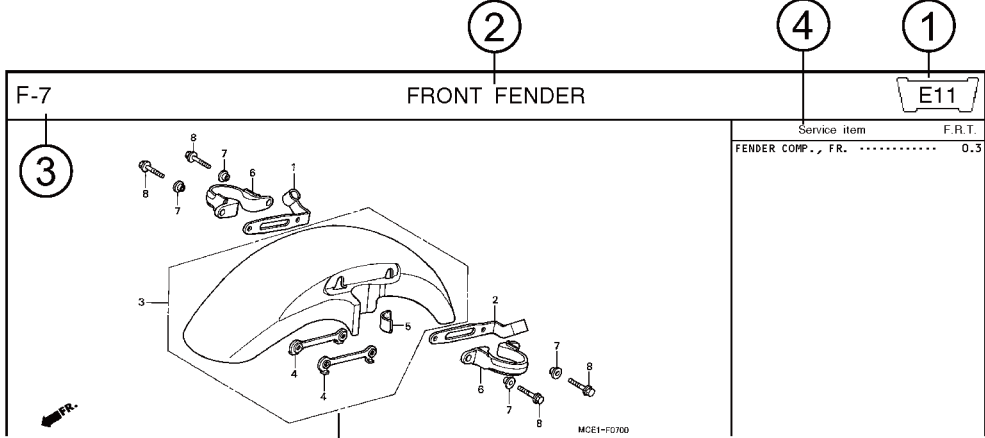
PART NAME INDEX				
Part name	Address	Page	Ref.	Part name
[A]				BOLT , CHANG I
ADJUSTER , CHAIN	F13	67	5	BOLT , CLUTC H
ARM COMP , GEAR CHANGE	F10	64	3	BOLT , CONNECT
ARM , L. MAIN STEP	F11	65	8	BOLT , DISK , 6
ARM , L. PILLIØ STEP	F11	65	12	BOLT , DISK , 8
ARM , R. MAIN STEP	F11	65	5	BOLT , DRAIN I
ARM , R. PILLIØ STEP	F11	65	11	BOLT , FLANG E
AUT O DOC K ASSY , FUEL	F4	58	2	BOLT , FLANG E
AXLE , FR. WHEEL	E14	52	3	BOLT , FLANG E
AXLE , RR. WHEEL	F2	56	3	BOLT , FLANG E
[B]				BOLT , FLANG E
BAG , AIR PRESSUR E GAUGE	F67	77	4	BOLT , FLANG E
BAG , SERVICE BOOK	F67	77	1	BOLT , FLANG E
BAG , TOOL	F67	77	3	BOLT , FLANG E
BALL , STEEL	F11	65	20	BOLT , FLANG E
BAN D A , INSULATOR	B11	11	11	BOLT , FLANG E
BAN D B , INSULATOR	B11	11	12	BOLT , FLANG E
BAND , AIR CLEANER CONNECTING	F8	62	22	BOLT , FLANG E
BAND , U-LOCK	F16	70	5	BOLT , FLANG E
BAND , WIRE	C10	26	14	BOLT , FLANG E
	E5	43	21	
	G4	74	1R	



Page No.

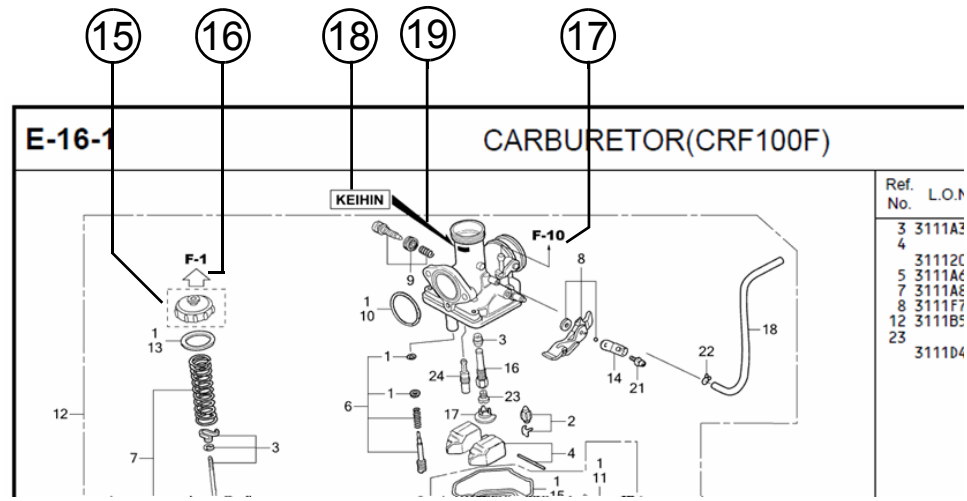
2000.09.01 E

Part catalogue structure



Ref. No.	Part No.	Description	Reqd. QTY CB 400 SFX SFY	Serial No.	Parts catalogue code
1	45156-MCE-000	CLAMPER, R. FR. BRAKE HOSE ..	1 1		
2	45157-MCE-000	CLAMPER, L. FR. BRAKE HOSE ..	1 1		
3	61100-MCE-000ZA	FENDER COMP., FR. *NH411M*FORCE SILVER METALLIC	1 -	----- 3J,4J	
	61100-MCE-000ZB	*PB284C*...CANDY PHOENIX BLUE	- 1	----- J,2J	
4	61101-MCE-000	PLATE, FR. FENDER	2 2	1008000	
	61101-MCE-010	2 2	1008001	
5	61102-MCE-300	CUSHION, FR. FENDER	2 2		
		(BLACK)			

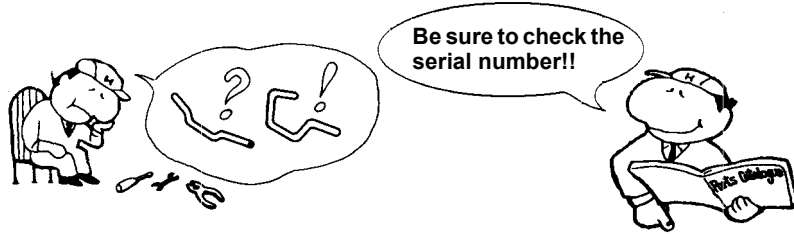
- ① **Address number**
 - Address No. is provided (in place of the page No.) to help you refer to the part with the part No. or part name.
- ② **Block title** ③ **Block number**
- ④ **Service item/Flat rate time**
- ⑤ **Reference number**
 - Title number marked with the parenthesis or parentheses indicates that it continues from the previous page.
- ⑥ **Part number** ⑦ **Honda color code**
- ⑧ **Description**
- ⑨ **Assemblies**
 - Sections framed with broken lines in the exploded view drawings are available as complete assemblies. (Their individual parts can also be obtained.)
- ⑩ **Color description**
- ⑪ **Note**
 - Notes are shown with the parentheses in the part name column.
- ⑫ **Required quantity**
 - Reqd. QTY shown in the parenthesis or parentheses indicates the optional part.
 - Reqd. QTY marked with "N" indicates the optional part that should be selected as needed.
 - Reqd. QTY indicates the number of the part used in the block.
- ⑬ **Serial number**
- ⑭ **Parts catalogue code**
 - When the parts catalogue code column is blank, it indicates that the part is applicable to all codes.



Ref. No.	L.O.N
3	3111A2
4	31112C
5	3111A6
7	3111A8
8	3111F7
12	3111B5
23	3111D4

- ⑮
 - Parts enclosed within a dotted line are covered in a different block.
- ⑯
 - A hollow arrow indicates the block No. for the parts enclosed within a dotted line .
- ⑰
 - A solid arrow indicates the block No. the part in question is connected to.
- ⑱ **Replacement Identification Information for Designated Part No.**
 - If an arrow mark is indicated in 19, the part is incompatible with a different part No.
 - Make sure to order the part of the same manufacture, including the component part.
 - To make an order, indicate the part No., which includes the symbol displayed on the applicable section of the part to be replaced.

When the parts were revised



Ref. No.	Part No.	Description	Reqd. QTY		Serial No.
			CB400	SFX SFY	
1	45156-MCE-000	CLAMPER, R. FR. BRAKE HOSE ..	1	1	
2	45157-MCE-000	CLAMPER, L. FR. BRAKE HOSE ..	1	1	
3	61100-MCE-000ZA	FENDER COMP., FR. *NH411M*FORCE SILVER METALLIC	1	-	-----3J,4J
	61100-MCE-000ZB	*PB284C*...CANDY PHOENIX BLUE	1	-	-----J,2J
4	61101-MCE-000	PLATE, FR. FENDER (###).....	2	2	-----1008000
	61101-MCE-010	2	2	-----1008001
5	61102-MCE-300	CUSHION, FR. FENDER (BLACK)	2	2	
6	61105-MCE-000	STAY, FR. FENDER MOUNTING ...	2	2	
7	61107-MR7-000	COLLAR (6,5)	4	4	
8	96001-06020-00	BOLT, FLANGE, 6X20	4	4	

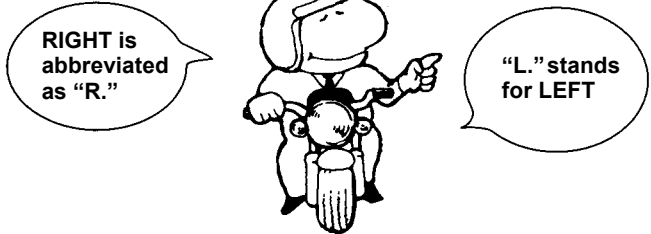
The number has been used from the initial model without revision.

When shown at the left side, it is applicable to the models of No.1008001 and the subsequent numbers.

When shown at the right side, it is applicable to the models up to No.1008000.

The parts listed with "###" at the end of the parts name have limited supply period (parts not for sale).

Abbreviations used in the parts catalogue

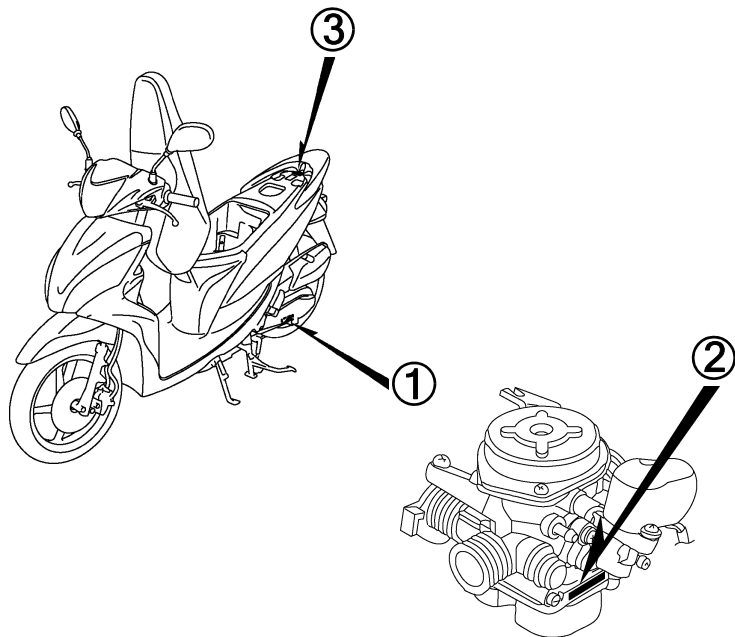
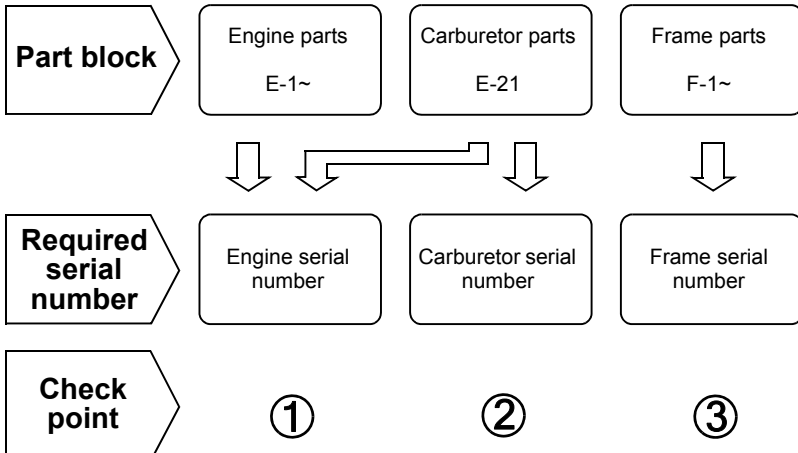


* "L." or "R." in the description of a part stands for the LEFT hand side or the RIGHT hand side. Determine the left or right as if you were in the motorcycle seat.

The following abbreviations are used in this parts catalogue.

- A Ampere
- ABS Anti-lock brake system
- A.C. Alternating current
- A.M. Attaching mark
- ASSY. Assembly
- C.D.I. Capacitive discharge ignition
- COMP. ... Complete
- D.C. Direct current
- EX. Exhaust
- FR. Front
- G Gram
- HEX. Hexagonal
- IN. Inlet
- KPH Kilometers per hour
- L.Left
- L (100L) .Link (100 Links)
- L.E.D.Light emitted diode
- MMMillimeter
- MPHMiles per hour
- R.Right
- RR.Rear
- STD.Standard
- T (22T) ...Tooth (22 Teeth)
- TCSTraction control system
- T.M.Transcript mark
- VVolt
- WWatt
- WLWith labelling
- WOLWithout labelling

Part block and serial number check



Models, parts catalogue codes and applicable serial numbers

Models, parts catalogue codes and applicable serial Nos. given in this parts catalogue can be identified as follows.

Parts with parts catalogue codes are exclusive for models destined for countries designated.

If no area codes are listed, parts are for common use.

Model	Parts catalogue code	Type	Applicable engine serial No.	Applicable frame serial No.	Applicable carburetor serial No.
NSC110CS _D	MA	Malaysia	JF44E-2000001~2099999	PMKJF4490DB000001~DB099999	AVK2DA A
NSC110CS _E	2MA	Malaysia	JF44E-2100001~	PMKJF44D0EB100001~	AVK2DA A
	MA		JF44E-2100001~	PMKJF4490EB100001~	
NSC110CS _G	2MA	Malaysia			AVK2DA A
	3MA				
	MA				

* Of carburetor/throttle body identification numbers, only the portions underlined in the example below are used for registration.

AVK2DA A KC 7

Color chart

- When ordering a colored part, refer to the chart below and use a part number consisting of the relevant basic part number to which has been added a part color code.

NSC110CS (NSC110CSD)

No.	MODEL		NSC110CSD							Applicable block No.	Ref. No.
	COLOR		Pearl magellanic black NH-A69P	Pearl metalloid white NH-A96P	Euphoria red metallic R-339M	Luminous orange YR-308	Applicable model				
	CODE		NHA69	NHA96	R339	YR308	Initial applicable model	Final applicable model			
	Name of colored parts	Basic part No.									
1	COVER SET, FR.	64300-KZL-730	ZD	ZE	ZC	ZA			F-12	1	
2	COVER SET, L. BODY	83605-KZL-730	ZE	ZB	ZC	ZA			F-15	3	
3	COVER SET, L. FR. SIDE	64450-KZL-730	ZD	ZE	ZC	ZA			F-12	4	
4	COVER SET, R. BODY	83505-KZL-730	ZD	ZE	ZC	ZA			F-15	2	
5	COVER SET, R. FR. SIDE	64350-KZL-730	ZD	ZE	ZC	ZA			F-12	3	
6	COVER, CENTER	80151-KZL-930	ZA	ZA	ZA	ZA			F-15	1	
7	COVER, FR. HANDLE	53205-KZL-A00	ZQ	ZP	ZN	ZM			F-9	2	
8	COVER, FR. LOWER	64308-KZL-930	ZA	ZA	ZA	ZA			F-12	2	
9	COVER, HANDLE RR.	53206-KZL-730	ZA	ZA	ZA	ZA			F-9	3	
10	COVER, INNER LOWER	81141-KZL-930	ZA	ZA	ZA	ZA			F-12	8	
11	COVER, INNER UPPER	81131-KZL-A00	ZA	ZA	ZA	ZA			F-12	5	
12	COVER, L. FLOOR SIDE	83620-KZL-930	ZA	ZA	ZA	ZA			F-14	4	
13	COVER, R. FLOOR SIDE	83520-KZL-930	ZA	ZA	ZA	ZA			F-14	3	
14	COVER, UNDER	50611-KZL-C00	ZB	ZB	ZB	ZB			F-14	1	
15	FENDER, FR.	61100-KZL-930	YH	YM	YL	YK			F-11	2	
16	GRIP, RR.	81200-KZL-A00	ZB	ZB	ZB	ZB			F-24	11	
17	HOOK, LUGGAGE	81132-GAH-000	ZW	ZW	ZW	ZW			F-12	6	
18	MARK, HONDA	87130-KVY-970	ZB	ZA	ZB	ZA			F-48	9	
19	PLUG, HOLE	90656-GCC-000	ZC	ZC	ZC	ZC			F-24	17	
20	STEP, FLOOR	64310-KZL-A00	ZA	ZA	ZA	ZA			F-14	2	

NSC110CS (NSC110CSd)

No.	MODEL		NSC110CSD							
	COLOR		Pearl magellanic black	Pearl metalloid white	Euphoria red metallic	Luminous orange	Applicable model		Applicable block No.	Ref. No.
	CODE		NH-A69P	NH-A96P	R-339M	YR-308				
	Name of colored parts	Basic part No.	NHA69	NHA96	R339	YR308	Initial applicable model	Final applicable model		
21	STRIPE A, L. BODY COVER	86832-KZL-730	ZD	ZB	ZC	ZA			F-48	6
22	STRIPE A, R. BODY COVER	86831-KZL-730	ZD	ZB	ZC	ZA			F-48	5
23	STRIPE B, L. BODY COVER	86834-KZL-730	ZD	ZB	ZC	ZA			F-48	8
24	STRIPE B, R. BODY COVER	86833-KZL-730	ZD	ZB	ZC	ZA			F-48	7
25	STRIPE, L. FR. COVER	86644-KZL-730	ZD	ZB	ZC	ZA			F-48	4
26	STRIPE, L. FR. SIDE	86642-KZL-730	ZD	ZB	ZC	ZA			F-48	2
27	STRIPE, R. FR. COVER	86643-KZL-730	ZD	ZB	ZC	ZA			F-48	3
28	STRIPE, R. FR. SIDE	86641-KZL-730	ZD	ZB	ZC	ZA			F-48	1
29	WHEEL SUB ASSY., FR.	44650-KZL-730	ZA	ZA	ZA	ZA			F-20-40	5
30	WHEEL SUB ASSY., RR.	42650-KZL-930	ZA	ZA	ZA	ZA			F-22-30	2

NSC110CS (NSC110CSE).....2MA

No.	MODEL		NSC110CSE				
	COLOR		Pearl magellanic black NH-A69P	Applicable model		Applicable block No.	Ref. No.
	CODE			Initial applicable model	Final applicable model		
	Name of colored parts	Basic part No.	NHA69				
1	COVER SET, FR.	64300-K39-M10	ZA			F-12	1
2	COVER SET, L. BODY	83605-K39-M10	ZA			F-15	3
3	COVER SET, L. FR. SIDE	64450-K39-M10	ZA			F-12	4
4	COVER SET, R. BODY	83505-K39-M10	ZA			F-15	2
5	COVER SET, R. FR. SIDE	64350-K39-M10	ZA			F-12	3
6	COVER, CENTER	80151-KZL-930	ZA			F-15	1
7	COVER, FR. HANDLE	53205-KZL-A00	ZQ			F-9	2
8	COVER, FR. LOWER	64308-KZL-930	ZA			F-12	2
9	COVER, HANDLE RR.	53206-KZL-730	ZA			F-9	3
10	COVER, INNER LOWER	81141-KZL-930	ZA			F-12	8
11	COVER, INNER UPPER	81131-KZL-A00	ZA			F-12	5
12	COVER, L. FLOOR SIDE	83620-KZL-930	ZA			F-14	4
13	COVER, R. FLOOR SIDE	83520-KZL-930	ZA			F-14	3
14	COVER, UNDER	50611-KZL-C00	ZB			F-14	1
15	FENDER, FR.	61100-KZL-930	YH			F-11	2
16	GRIP, RR.	81200-KZL-A00	ZB			F-24	11
17	HOOK, LUGGAGE	81132-GAH-000	ZW			F-12	6
18	MARK	86835-K39-M10	ZA			F-48-2	11
19	MARK, FR.	86645-K39-M10	ZA			F-48-2	6
20	MARK, HONDA	86101-K39-M10	ZA			F-48-2	1

NSC110CS (NSC110CSE).....2MA

No.	MODEL		NSC110CSE				
	COLOR		Pearl magellanic black NH-A69P	Applicable model		Applicable block No.	Ref. No.
	CODE			Initial applicable model	Final applicable model		
	Name of colored parts	Basic part No.	NHA69				
21	PLUG, HOLE	90656-GCC-000	ZC			F-24	17
22	STEP, FLOOR	64310-KZL-A00	ZA			F-14	2
23	STRIPE A, L. BODY COVER	86832-K39-M10	ZA			F-48-2	8
24	STRIPE A, R. BODY COVER	86831-K39-M10	ZA			F-48-2	7
25	STRIPE B, L. BODY COVER	86834-K39-M10	ZA			F-48-2	10
26	STRIPE B, R. BODY COVER	86833-K39-M10	ZA			F-48-2	9
27	STRIPE, L. FR. COVER	86644-K39-M10	ZA			F-48-2	5
28	STRIPE, L. FR. SIDE COVER	86642-K39-M10	ZA			F-48-2	3
29	STRIPE, R. FR. COVER	86643-K39-M10	ZA			F-48-2	4
30	STRIPE, R. FR. SIDE COVER	86641-K39-M10	ZA			F-48-2	2
31	WHEEL SUB ASSY., FR.	44650-KZL-730	ZB			F-20-40	5
32	WHEEL SUB ASSY., RR.	42650-KZL-930	ZD			F-22-30	2



NSC110CS (NSC110CSE).....MA

No.	MODEL		NSC110CSE							
	COLOR		Vital blue metallic	Pearl metalloid white	Vivacity red	Extravagant gold metallic	Applicable model		Applicable block No.	Ref. No.
	CODE		B-206M	NH-A96P	R-331	Y-213M	Initial applicable model	Final applicable model		
	Name of colored parts	Basic part No.	B206	NHA96	R331	Y213				
1	COVER SET, FR.	64300-K39-M00	ZC	ZA	ZD	ZB			F-12	1
2	COVER SET, L. BODY	83605-K39-M00	ZC	ZA	ZD	ZB			F-15	3
3	COVER SET, L. FR. SIDE	64450-K39-M00	ZC	ZA	ZD	ZB			F-12	4
4	COVER SET, R. BODY	83505-K39-M00	ZC	ZA	ZD	ZB			F-15	2
5	COVER SET, R. FR. SIDE	64350-K39-M00	ZC	ZA	ZD	ZB			F-12	3
6	COVER, CENTER	80151-KZL-930	ZA	ZA	ZA	ZA			F-15	1
7	COVER, FR. HANDLE	53205-KZL-A00	ZT	ZP	ZS	ZR			F-9	2
8	COVER, FR. LOWER	64308-KZL-930	ZA	ZA	ZA	ZA			F-12	2
9	COVER, HANDLE RR.	53206-KZL-730	ZA	ZA	ZA	ZA			F-9	3
10	COVER, INNER LOWER	81141-KZL-930	ZA	ZA	ZA	ZA			F-12	8
11	COVER, INNER UPPER	81131-KZL-A00	ZA	ZA	ZA	ZA			F-12	5
12	COVER, L. FLOOR SIDE	83620-KZL-930	ZA	ZA	ZA	ZA			F-14	4
13	COVER, R. FLOOR SIDE	83520-KZL-930	ZA	ZA	ZA	ZA			F-14	3
14	COVER, UNDER	50611-KZL-C00	ZB	ZB	ZB	ZB			F-14	1
15	FENDER, FR.	61100-KZL-930	YJ	YM	A3	A2			F-11	2
16	GRIP, RR.	81200-KZL-A00	ZF	ZF	ZF	ZF			F-24	11
17	HOOK, LUGGAGE	81132-GAH-000	ZW	ZW	ZW	ZW			F-12	6
18	PLUG, HOLE	90656-GCC-000	ZC	ZC	ZC	ZC			F-24	17
19	STEP, FLOOR	64310-KZL-A00	ZA	ZA	ZA	ZA			F-14	2
20	STRIPE, FR. COVER	86643-K39-M00	ZC	ZA	ZD	ZB			F-48-1	3
21	STRIPE, L. BODY COVER	86832-K39-M00	ZC	ZA	ZD	ZB			F-48-1	5
22	STRIPE, L. FR. SIDE COVER	86642-K39-M00	ZC	ZA	ZD	ZB			F-48-1	2
23	STRIPE, R. BODY COVER	86831-K39-M00	ZC	ZA	ZD	ZB			F-48-1	4
24	STRIPE, R. FR. SIDE COVER	86641-K39-M00	ZC	ZA	ZD	ZB			F-48-1	1
25	WHEEL SUB ASSY., FR.	44650-KZL-730	ZA	ZA	ZA	ZA			F-20-40	5
26	WHEEL SUB ASSY., RR.	42650-KZL-930	ZA	ZA	ZA	ZA			F-22-30	2

NSC110CS (NSC110CS_G).....2MA

No.	MODEL		NSC110CSG							
	COLOR		Vital blue metallic	Pearl metalloid white	Vivacity red	Extravagant gold metallic	Applicable model		Applicable block No.	Ref. No.
	CODE		B-206M	NH-A96P	R-331	Y-213M	Initial applicable model	Final applicable model		
	Name of colored parts	Basic part No.	B206	NHA96	R331	Y213				
1	COVER SET, FR.	64300-K39-M00	ZC	ZA	ZD	ZB			F-12	1
2	COVER SET, L. BODY	83605-K39-M00	ZC	ZA	ZD	ZB			F-15	3
3	COVER SET, L. FR. SIDE	64450-K39-M00	ZC	ZA	ZD	ZB			F-12	4
4	COVER SET, R. BODY	83505-K39-M00	ZC	ZA	ZD	ZB			F-15	2
5	COVER SET, R. FR. SIDE	64350-K39-M00	ZC	ZA	ZD	ZB			F-12	3
6	COVER, CENTER	80151-KZL-930	ZA	ZA	ZA	ZA			F-15	1
7	COVER, FR. HANDLE	53205-KZL-A00	ZT	ZP	ZS	ZR			F-9	2
8	COVER, FR. LOWER	64308-KZL-930	ZA	ZA	ZA	ZA			F-12	2
9	COVER, HANDLE RR.	53206-KZL-730	ZA	ZA	ZA	ZA			F-9	3
10	COVER, INNER LOWER	81141-KZL-930	ZA	ZA	ZA	ZA			F-12	8
11	COVER, INNER UPPER	81131-KZL-A00	ZA	ZA	ZA	ZA			F-12	5
12	COVER, L. FLOOR SIDE	83620-KZL-930	ZA	ZA	ZA	ZA			F-14	4
13	COVER, R. FLOOR SIDE	83520-KZL-930	ZA	ZA	ZA	ZA			F-14	3
14	COVER, UNDER	50611-KZL-C00	ZB	ZB	ZB	ZB			F-14	1
15	FENDER, FR.	61100-KZL-930	YJ	YM	A3	A2			F-11	2
16	GRIP, RR.	81200-KZL-A00	ZF	ZF	ZF	ZF			F-24	11
17	HOOK, LUGGAGE	81132-GAH-000	ZW	ZW	ZW	ZW			F-12	6
18	PLUG, HOLE	90656-GCC-000	ZC	ZC	ZC	ZC			F-24	17
19	STEP, FLOOR	64310-KZL-A00	ZA	ZA	ZA	ZA			F-14	2
20	STRIPE, FR. COVER	86643-K39-M00	ZC	ZA	ZD	ZB			F-48-1	3
21	STRIPE, L. BODY COVER	86832-K39-M00	ZC	ZA	ZD	ZB			F-48-1	5
22	STRIPE, L. FR. SIDE COVER	86642-K39-M00	ZC	ZA	ZD	ZB			F-48-1	2
23	STRIPE, R. BODY COVER	86831-K39-M00	ZC	ZA	ZD	ZB			F-48-1	4
24	STRIPE, R. FR. SIDE COVER	86641-K39-M00	ZC	ZA	ZD	ZB			F-48-1	1
25	WHEEL SUB ASSY., FR.	44650-KZL-730	ZA	ZA	ZA	ZA			F-20-40	5
26	WHEEL SUB ASSY., RR.	42650-KZL-930	ZA	ZA	ZA	ZA			F-22-30	2

NSC110CS (NSC110CS_G).....3MA

No.	MODEL		NSC110CSG				
	COLOR		Pearl magellanic black NH-A69P	Applicable model		Applicable block No.	Ref. No.
	CODE			Initial applicable model	Final applicable model		
	Name of colored parts	Basic part No.	NHA69				
1	COVER SET, FR.	64300-K39-M10	ZA			F-12	1
2	COVER SET, L. BODY	83605-K39-M10	ZA			F-15	3
3	COVER SET, L. FR. SIDE	64450-K39-M10	ZA			F-12	4
4	COVER SET, R. BODY	83505-K39-M10	ZA			F-15	2
5	COVER SET, R. FR. SIDE	64350-K39-M10	ZA			F-12	3
6	COVER, CENTER	80151-KZL-930	ZA			F-15	1
7	COVER, FR. HANDLE	53205-KZL-A00	ZQ			F-9	2
8	COVER, FR. LOWER	64308-KZL-930	ZA			F-12	2
9	COVER, HANDLE RR.	53206-KZL-730	ZA			F-9	3
10	COVER, INNER LOWER	81141-KZL-930	ZA			F-12	8
11	COVER, INNER UPPER	81131-KZL-A00	ZA			F-12	5
12	COVER, L. FLOOR SIDE	83620-KZL-930	ZA			F-14	4
13	COVER, R. FLOOR SIDE	83520-KZL-930	ZA			F-14	3
14	COVER, UNDER	50611-KZL-C00	ZB			F-14	1
15	FENDER, FR.	61100-KZL-930	YH			F-11	2
16	GRIP, RR.	81200-KZL-A00	ZB			F-24	11
17	HOOK, LUGGAGE	81132-GAH-000	ZW			F-12	6
18	MARK	86835-K39-M10	ZA			F-48-2	11
19	MARK, FR.	86645-K39-M10	ZA			F-48-2	6
20	MARK, HONDA	86101-K39-M10	ZA			F-48-2	1

NSC110CS (NSC110CS_G).....3MA

No.	MODEL		NSC110CSG				
	COLOR		Pearl magellanic black NH-A69P	Applicable model		Applicable block No.	Ref. No.
	CODE			Initial applicable model	Final applicable model		
	Name of colored parts	Basic part No.	NHA69				
21	PLUG, HOLE	90656-GCC-000	ZC			F-24	17
22	STEP, FLOOR	64310-KZL-A00	ZA			F-14	2
23	STRIPE A, L. BODY COVER	86832-K39-M10	ZA			F-48-2	8
24	STRIPE A, R. BODY COVER	86831-K39-M10	ZA			F-48-2	7
25	STRIPE B, L. BODY COVER	86834-K39-M10	ZA			F-48-2	10
26	STRIPE B, R. BODY COVER	86833-K39-M10	ZA			F-48-2	9
27	STRIPE, L. FR. COVER	86644-K39-M10	ZA			F-48-2	5
28	STRIPE, L. FR. SIDE COVER	86642-K39-M10	ZA			F-48-2	3
29	STRIPE, R. FR. COVER	86643-K39-M10	ZA			F-48-2	4
30	STRIPE, R. FR. SIDE COVER	86641-K39-M10	ZA			F-48-2	2
31	WHEEL SUB ASSY., FR.	44650-KZL-730	ZB			F-20-40	5
32	WHEEL SUB ASSY., RR.	42650-KZL-930	ZD			F-22-30	2



NSC110CS (NSC110CS_G).....MA

No.	MODEL		NSC110CSG						
	COLOR		Pearl magellanic black NH-A69P	Pearl metalloid white NH-A96P	Euphoria red metallic R-339M	Applicable model		Applicable block No.	Ref. No.
	CODE		NHA69	NHA96	R339	Initial applicable model	Final applicable model		
	Name of colored parts	Basic part No.							
1	COVER SET, FR.	64300-K39-M20	ZC	ZB	ZA			F-12	1
2	COVER SET, L. BODY	83605-K39-M20	ZC	ZB	ZA			F-15	3
3	COVER SET, R. BODY	83505-K39-M20	ZC	ZB	ZA			F-15	2
4	COVER, CENTER	80151-KZL-930	ZE	ZE	ZE			F-15	1
5	COVER, FR. HANDLE	53205-KZL-A00	ZQ	ZP	ZN			F-9	2
6	COVER, FR. LOWER	64308-KZL-930	ZA	ZA	ZA			F-12	2
7	COVER, HANDLE RR.	53206-KZL-730	ZB	ZB	ZB			F-9	3
8	COVER, INNER LOWER	81141-KZL-930	ZD	ZD	ZD			F-12	8
9	COVER, INNER UPPER	81131-KZL-E00	ZD	ZK	ZJ			F-12	5
10	COVER, L. FLOOR SIDE	83620-KZL-E00	ZD	ZK	ZJ			F-14	4
11	COVER, L. FR. SIDE	64401-KZL-930	ZY	YE	YD			F-12	16
12	COVER, R. FLOOR SIDE	83520-KZL-E00	ZD	ZK	ZJ			F-14	3
13	COVER, R. FR. SIDE	64301-KZL-930	ZY	YE	YD			F-12	15
14	COVER, UNDER	50611-KZL-C00	ZB	ZB	ZB			F-14	1
15	FENDER, FR.	61100-KZL-930	YH	YM	YL			F-11	2
16	GRIP, RR.	81200-KZL-A00	ZB	ZB	ZB			F-24	11
17	HOOK, LUGGAGE	81132-GAH-000	ZW	ZW	ZW			F-12	6
18	MARK	86834-K39-M20	ZA	ZB	ZA			F-48-3	3
19	MARK, BODY COVER	86833-K39-M20	ZA	ZA	ZA			F-48-3	2
20	MARK, HONDA	86101-K39-M20	ZA	ZB	ZA			F-48-3	1
21	PLUG, HOLE	90656-GCC-000	ZC	ZC	ZC			F-24	17
22	STEP, FLOOR	64310-KZL-A00	ZB	ZB	ZB			F-14	2
23	WHEEL SUB ASSY., FR.	44650-KZL-730	ZC	ZC	ZC			F-20-40	5
24	WHEEL SUB ASSY., RR.	42650-KZL-930	ZE	ZE	ZE			F-22-30	2

Fuel hose, general purpose hoses and vinyl hose

- The standard part fuel hose, general purpose hose and vinyl hose may be substituted by the coiled bulk part.
- When ordering the standard part fuel hose, general purpose hose and vinyl hose use the bulk part number written in the parts catalogue in brackets () underneath the part name, or use the catalogue below.
(The bulk part standard length is 1 m, however, those displayed in the catalogue < > are available in 3 m and 8 m lengths.)
- When exchanging the hose, cut and use at the specified length as mentioned in the part name.
(For the method of cutting the bulk part, and method of filling out orders etc., please refer to the service manual and the instructions issued with the bulk part.)
- The list below is a catalogue of the standard part numbers and bulk part numbers. Note that those numbers are applicable to the listed replacement parts only.

Fuel hoses/Tubes			
Standard part No.	Bulk part No.	Bulk part	
		Inner diameter (mm)	Length (m)
95001-30xxx-2x	95001-30001-20M	3.0	1
95001-30xxx-3x	95001-30001-30M	3.0	1
95001-30xxx-4x	95001-30001-40M	3.0	1
95001-35xxx-2x	95001-35001-50M <95001-35003-50M>	3.5	1 3
95001-35xxx-3x	95001-35001-60M <95001-35003-60M>	3.5	1 3
95001-35xxx-4x	95001-35001-60M <95001-35003-60M>	3.5	1 3
95001-35xxx-5x	95001-35001-50M <95001-35003-50M>	3.5	1 3
95001-35xxx-6x	95001-35001-60M <95001-35003-60M>	3.5	1 3
95001-45xxx-2x	95001-45001-50M <95001-45003-50M>	4.5	1 3
95001-45xxx-3x	95001-45001-60M <95001-45003-60M> <95001-45008-60M>	4.5	1 3 8
95001-45xxx-4x	95001-45001-60M <95001-45003-60M> <95001-45008-60M>	4.5	1 3 8
95001-45xxx-5x	95001-45001-50M <95001-45003-50M>	4.5	1 3
95001-45xxx-6x	95001-45001-60M <95001-45003-60M> <95001-45008-60M>	4.5	1 3 8
95001-55xxx-2x	95001-55001-50M <95001-55003-50M> <95001-55008-50M>	5.5	1 3 8

Fuel hoses/Tubes			
Standard part No.	Bulk part No.	Bulk part	
		Inner diameter (mm)	Length (m)
95001-55xxx-3x	95001-55001-60M <95001-55003-60M> <95001-55008-60M>	5.5	1 3 8
95001-55xxx-4x	95001-55001-60M <95001-55003-60M> <95001-55008-60M>	5.5	1 3 8
95001-55xxx-5x	95001-55001-50M <95001-55003-50M> <95001-55008-50M>	5.5	1 3 8
95001-55xxx-6x	95001-55001-60M <95001-55003-60M> <95001-55008-60M>	5.5	1 3 8
95001-75xxx-2x	95001-75001-50M <95001-75003-50M>	7.5	1 3
95001-75xxx-3x	95001-75001-60M <95001-75003-60M> <95001-75008-60M>	7.5	1 3 8
95001-75xxx-4x	95001-75001-60M <95001-75003-60M> <95001-75008-60M>	7.5	1 3 8
95001-75xxx-5x	95001-75001-50M <95001-75003-50M>	7.5	1 3
95001-75xxx-6x	95001-75001-60M <95001-75003-60M> <95001-75008-60M>	7.5	1 3 8
95001-80xxx-2x	95001-80001-50M	8.0	1
95001-80xxx-3x	95001-80001-60M	8.0	1
95001-80xxx-4x	95001-80001-60M	8.0	1
95001-80xxx-5x	95001-80001-50M	8.0	1
95001-80xxx-6x	95001-80001-60M	8.0	1

Vinyl tube				
Standard part No.	Bulk part No.	Bulk part		
		Inner dia- meter (mm)	Outer dia-meter (mm)	Length (m)
95003-01xxx-3x	95003-01001-60M <95003-01003-60M>	2.9	6.8	1 3
95003-01xxx-60	95003-01001-60M <95003-01003-60M>	2.9	6.8	1 3
95003-03xxx-3x	95003-03001-60M <95003-03003-60M>	3.0	6.0	1 3
95003-03xxx-60	95003-03001-60M <95003-03003-60M>	3.0	6.0	1 3
95003-05xxx-3x	95003-05001-60M <95003-05003-60M> <95003-05008-60M>	3.5	6.5	1 3 8
95003-05xxx-60	95003-05001-60M <95003-05003-60M> <95003-05008-60M>	3.5	6.5	1 3 8
95003-07xxx-1x	95003-07001-10M <95003-07003-10M> <95003-07008-10M>	4.0	7.0	1 3 8
95003-07xxx-20	95003-07001-10M <95003-07003-10M> <95003-07008-10M>	4.0	7.0	1 3 8
95003-07xxx-3x	95003-07001-60M <95003-07003-60M> <95003-07008-60M>	4.0	7.0	1 3 8
95003-07xxx-60	95003-07001-60M <95003-07003-60M> <95003-07008-60M>	4.0	7.0	1 3 8
95003-07xxx-7x	95003-07001-70M <95003-07003-70M> <95003-07008-70M>	4.0	7.0	1 3 8
95003-08xxx-1x	95003-08001-10M <95003-08003-10M> <95003-08008-10M>	4.5	6.5	1 3 8
95003-09xxx-3x	95003-09001-60M <95003-09003-60M>	4.5	8.0	1 3
95003-09xxx-60	95003-09001-60M <95003-09003-60M>	4.5	8.0	1 3
95003-10xxx-1x	95003-10001-10M <95003-10003-10M>	5.0	8.0	1 3
95003-10xxx-20	95003-10001-10M <95003-10003-10M>	5.0	8.0	1 3
95003-10xxx-3x	95003-10001-60M <95003-10003-60M>	5.0	8.0	1 3
95003-10xxx-60	95003-10001-60M <95003-10003-60M>	5.0	8.0	1 3
95003-11xxx-3x	95003-11001-60M <95003-11003-60M> <95003-11008-60M>	5.0	9.0	1 3 8
95003-11xxx-60	95003-11001-60M <95003-11003-60M> <95003-11008-60M>	5.0	9.0	1 3 8
95003-12xxx-1x	95003-12001-10M <95003-12003-10M> <95003-12008-10M>	5.0	7.0	1 3 8
95003-12xxx-20	95003-12001-10M <95003-12003-10M> <95003-12008-10M>	5.0	7.0	1 3 8

Vinyl tube				
Standard part No.	Bulk part No.	Bulk part		
		Inner dia- meter (mm)	Outer dia-meter (mm)	Length (m)
95003-14xxx-1x	95003-14001-10M <95003-14003-10M>	6.0	9.0	1 3
95003-14xxx-20	95003-14001-10M <95003-14003-10M>	6.0	9.0	1 3
95003-14xxx-3x	95003-14001-60M <95003-14003-60M>	6.0	9.0	1 3
95003-17xxx-1x	95003-17001-10M <95003-17003-10M>	7.0	9.0	1 3
95003-19xxx-1x	95003-19001-10M <95003-19003-10M> <95003-19008-10M>	7.0	11.0	1 3 8
95003-19xxx-20	95003-19001-10M <95003-19003-10M> <95003-19008-10M>	7.0	11.0	1 3 8
95003-19xxx-3x	95003-19001-60M <95003-19003-60M> <95003-19008-60M>	7.0	11.0	1 3 8
95003-19xxx-60	95003-19001-60M <95003-19003-60M> <95003-19008-60M>	7.0	11.0	1 3 8
95003-21xxx-1x	95003-21001-10M <95003-21003-10M>	8.0	9.0	1 3
95003-21xxx-20	95003-21001-10M <95003-21003-10M>	8.0	9.0	1 3
95003-23xxx-1x	95003-23001-10M <95003-23003-10M>	8.0	12.0	1 3
95003-23xxx-20	95003-23001-10M <95003-23003-10M>	8.0	12.0	1 3
95003-23xxx-3x	95003-23001-60M <95003-23003-60M> <95003-23008-60M>	8.0	12.0	1 3 8
95003-23xxx-60	95003-23001-60M <95003-23003-60M> <95003-23008-60M>	8.0	12.0	1 3 8
95003-25xxx-1x	95003-25001-10M <95003-25003-10M>	9.0	11.0	1 3
95003-25xxx-20	95003-25001-10M <95003-25003-10M>	9.0	11.0	1 3
95003-25xxx-3x	95003-25001-60M <95003-25003-60M>	9.0	11.0	1 3
95003-25xxx-7x	95003-25001-70M <95003-25003-70M>	9.0	11.0	1 3
95003-27xxx-1x	95003-27001-10M <95003-27003-10M>	9.0	13.0	1 3
95003-27xxx-20	95003-27001-10M <95003-27003-10M>	9.0	13.0	1 3
95003-27xxx-3x	95003-27001-60M <95003-27003-60M>	9.0	13.0	1 3
95003-27xxx-60	95003-27001-60M <95003-27003-60M>	9.0	13.0	1 3
95003-33xxx-1x	95003-33001-10M <95003-33003-10M>	10.0	14.0	1 3
95003-33xxx-20	95003-33001-10M <95003-33003-10M>	10.0	14.0	1 3

Vinyl tube				
Standard part No.	Bulk part No.	Bulk part		
		Inner dia- meter (mm)	Outer dia-meter (mm)	Length (m)
95003-36xxx-1x	95003-36001-10M <95003-36003-10M> <95003-36008-10M>	11.0	13.0	1 3 8
95003-36xxx-20	95003-36001-10M <95003-36003-10M> <95003-36008-10M>	11.0	13.0	1 3 8
95003-37xxx-3x	95003-37001-60M <95003-37003-60M>	11.0	15.0	1 3
95003-37xxx-60	95003-37001-60M <95003-37003-60M>	11.0	15.0	1 3
95003-38xxx-1x	95003-38001-10M <95003-38003-10M>	12.0	13.0	1 3
95003-38xxx-20	95003-38001-10M <95003-38003-10M>	12.0	13.0	1 3
95003-39xxx-1x	95003-39001-10M <95003-39003-10M>	12.0	14.0	1 3
95003-39xxx-20	95003-39001-10M <95003-39003-10M>	12.0	14.0	1 3
95003-40xxx-20	95003-40001-10M <95003-40003-10M>	12.0	16.0	1 3
95003-40xxx-3x	95003-40001-60M <95003-40003-60M>	12.0	16.0	1 3
95003-40xxx-60	95003-40001-60M <95003-40003-60M>	12.0	16.0	1 3
95003-43xxx-1x	95003-43001-10M <95003-43003-10M> <95003-43008-10M>	13.0	15.0	1 3 8
95003-43xxx-20	95003-43001-10M <95003-43003-10M> <95003-43008-10M>	13.0	15.0	1 3 8
95003-45xxx-1x	95003-45001-10M <95003-45003-10M> <95003-45008-10M>	14.0	18.0	1 3 8
95003-45xxx-20	95003-45001-10M <95003-45003-10M> <95003-45008-10M>	14.0	18.0	1 3 8
95003-50xxx-1x	95003-50001-10M <95003-50003-10M>	16.0	19.0	1 3
95003-50xxx-20	95003-50001-10M <95003-50003-10M>	16.0	19.0	1 3
95003-50xxx-3x	95003-50001-60M <95003-50003-60M>	16.0	19.0	1 3
95003-55xxx-1x	95003-55001-10M <95003-55003-10M>	17.5	20.5	1 3
95003-55xxx-20	95003-55001-10M <95003-55003-10M>	17.5	20.5	1 3
95003-60xxx-1x	95003-60001-10M <95003-60003-10M>	22.0	27.0	1 3
95003-60xxx-20	95003-60001-10M <95003-60003-10M>	22.0	27.0	1 3
95003-60xxx-3x	95003-60001-60M <95003-60003-60M>	22.0	27.0	1 3
95003-60xxx-60	95003-60001-60M <95003-60003-60M>	22.0	27.0	1 3

General purpose hoses			
Standard part No.	Bulk part No.	Bulk part	
		Inner diameter (mm)	Length (m)
95005-11xxx-3x	95005-11001-30M	11.0	1
95005-11xxx-5x	95005-11001-50M	11.0	1
95005-12xxx-1x	95005-12001-10M <95005-12003-10M>	12.0	1 3
95005-12xxx-2x	95005-12001-20M	12.0	1
95005-12xxx-3x	95005-12001-30M	12.0	1
95005-12xxx-5x	95005-12001-50M	12.0	1
95005-14xxx-1x	95005-14001-10M	14.0	1
95005-14xxx-2x	95005-14001-20M <95005-14003-20M>	14.0	1 3
95005-14xxx-3x	95005-14001-30M	14.0	1
95005-14xxx-5x	95005-14001-50M	14.0	1
95005-17xxx-1x	95005-17001-10M	17.0	1
95005-17xxx-2x	95005-17001-20M	17.0	1
95005-17xxx-3x	95005-17001-30M	17.0	1
95005-17xxx-5x	95005-17001-50M	17.0	1
95005-30xxx-3x	95005-30001-30M	3.0	1
95005-30xxx-5x	95005-30001-50M	3.0	1
95005-35xxx-1x	95005-35001-10M <95005-35003-10M> <95005-35008-10M>	3.5	1 3 8
95005-35xxx-2x	95005-35001-20M	3.5	1
95005-35xxx-3x	95005-35001-30M	3.5	1
95005-35xxx-4x	95005-35001-10M <95005-35003-10M> <95005-35008-10M>	3.5	1 3 8
95005-35xxx-5x	95005-35001-50M	3.5	1
95005-45xxx-1x	95005-45001-10M <95005-45003-10M> <95005-45008-10M>	4.5	1 3 8
95005-45xxx-2x	95005-45001-20M	4.5	1
95005-45xxx-3x	95005-45001-30M	4.5	1

General purpose hoses			
Standard part No.	Bulk part No.	Bulk part	
		Inner diameter (mm)	Length (m)
95005-45xxx-4x	95005-45001-10M <95005-45003-10M> <95005-45008-10M>	4.5	1 3 8
95005-45xxx-5x	95005-45001-50M	4.5	1
95005-50xxx-3x	95005-50001-30M <95005-50003-30M>	5.0	1 3
95005-50xxx-5x	95005-50001-50M	5.0	1
95005-55xxx-1x	95005-55001-10M <95005-55003-10M> <95005-55008-10M>	5.3	1 3 8
95005-55xxx-2x	95005-55001-20M <95005-55003-20M>	5.3	1 3
95005-55xxx-4x	95005-55001-10M <95005-55003-10M> <95005-55008-10M>	5.3	1 3 8
95005-65xxx-1x	95005-65001-10M <95005-65003-10M>	6.5	1 3
95005-65xxx-2x	95005-65001-20M	6.5	1
95005-70xxx-3x	95005-70001-30M <95005-70003-30M>	7.0	1 3
95005-70xxx-5x	95005-70001-50M	7.0	1
95005-75xxx-1x	95005-75001-10M <95005-75003-10M>	7.3	1 3
95005-75xxx-2x	95005-75001-20M	7.3	1
95005-80xxx-1x	95005-80001-10M <95005-80003-10M>	8.0	1 3
95005-80xxx-2x	95005-80001-20M	8.0	1
95005-80xxx-3x	95005-80001-30M	8.0	1
95005-80xxx-5x	95005-80001-50M	8.0	1
95005-91xxx-3x	95005-91001-30M	12.0	1
95005-91xxx-5x	95005-91001-50M	12.0	1
95005-92xxx-3x	95005-92001-30M	12.0	1
95005-92xxx-5x	95005-92001-50M	12.0	1

NOTE: X is displayed to represent the omitted numerals and letters of the roman alphabet.

⊙ **CAUTION: It is DANGEROUS to confuse the fuel hose with the general purpose hose or vinyl hose.**

Never use a general purpose hose or vinyl hose in place of a fuel hose or vice versa. Always use the correct bulk part in the parts catalogue, according to the service manual or the instructions issued with the bulk part.

• Bulk part number of fuel hose, general purpose hose and vinyl hose.

(Example)

9 5 0 0 1 - 7 5 0 0 1 - 5 0 M

Bulk part number: Refers to the bulk part.

Marking code (hose type): (fuel hose and general purpose hose)

Change code (for added hose): (Vinyl hose)

- Indicates number mark or change sequence, however, the code for the bulk part must be strictly 0 (zero).

Types of code:

- Fuel hose
 - 2: Red outside braid (3 mm inside dia. only)
 - 5: Black inside braid
 - 3: Red (3 mm inside dia. only)
 - 4: Ash gray with red stripe (3 mm inside dia. only)
 - 6: Black
- Vinyl hose
 - 1: Clear
 - 2: Black
 - 3: Light red
 - 6: Light red
 - 7: Pale black
- General hose
 - 1: Ash gray
 - 2: Ash gray
 - 3: Black
 - 5: Black

Lengths: 001: 1 m (standard)
003: 3 m
008: 8 m

I.D code: (fuel hose and general purpose hose)

- 30: 3.0 mm
- 35: 3.5 mm
- 45: 4.5 mm
- 50: 5.0 mm
- 55: 5.3 mm, 5.5 mm
- 65: 6.5 mm
- 70: 7.0 mm
- 75: 7.3 mm, 7.5 mm
- 80: 8.0 mm
- 11: 11 mm
- 91: 12 mm (outside dia. 15) mm
- 92: 12 mm (outside dia. 16) mm
- 12: 12 mm (outside dia. 17) mm
- 14: 14 mm
- 17: 17 mm

ID./OD. code: (vinyl hose)

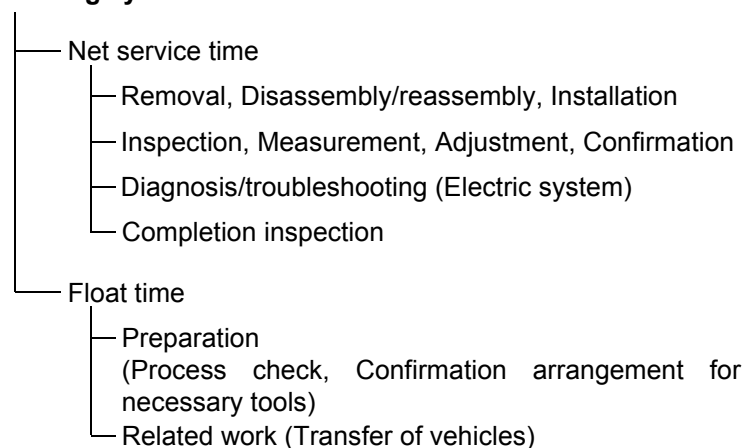
- 01: ID. 2.9, OD. 6.8 mm
- 03: ID. 3.0, OD. 6.0 mm
- 05: ID. 3.5, OD. 6.5 mm
- 07: ID. 4.0, OD. 7.0 mm
- 08: ID. 4.5, OD. 6.5 mm
- 09: ID. 4.5, OD. 8.0 mm
- 12: ID. 5.0, OD. 7.0 mm
- 10: ID. 5.0, OD. 8.0 mm
- 11: ID. 5.0, OD. 9.0 mm
- 14: ID. 6.0, OD. 9.0 mm
- 17: ID. 7.0, OD. 9.0 mm
- 19: ID. 7.0, OD. 11.0 mm
- 21: ID. 8.0, OD. 9.0 mm
- 23: ID. 8.0, OD. 12.0 mm
- 25: ID. 9.0, OD. 11.0 mm
- 27: ID. 9.0, OD. 13.0 mm
- 33: ID. 10.0, OD. 14.0 mm
- 36: ID. 11.0, OD. 13.0 mm
- 37: ID. 11.0, OD. 15.0 mm
- 38: ID. 12.0, OD. 13.0 mm
- 39: ID. 12.0, OD. 14.0 mm
- 40: ID. 12.0, OD. 16.0 mm
- 43: ID. 13.0, OD. 15.0 mm
- 45: ID. 14.0, OD. 18.0 mm
- 50: ID. 16.0, OD. 19.0 mm
- 55: ID. 17.5, OD. 20.5 mm
- 60: ID. 22.0, OD. 27.0 mm

Hose type: 1: Fuel hose
3: Vinyl hose
5: General hose

FLAT RATE SERVICE TIME

Flat rate service time (FRT) means the standard time required to service a MC, which is listed in this manual to help the dealers control the actual working process and calculate the service charge by using it as a guide.

FRT setting system



* Float time is set by multiplying the net service time by a given coefficient.

Editorial style

The service items shown in the text are listed with the exchange work time for the repair sales parts as the subject. Other representative service items not using repair parts (removal/installation, adjustment, inspection/measuring, and other work) are listed collectively in the list in the preface, classified according to the work.

FRT setting standard

- Decimal system (in unit of 0.1) is adopted to set FRT as it is convenient to calculate the wage.
Example: (0.1) → 6 minutes, (0.2) → 12 minutes
[Labor cost per hour] x [FRT] = [Wage]
- FRT is set with a hand tool.
- Service items and FRT can be subject to change depending on development of tools and service equipment and improvement in service procedure.

Work procedure

- As the work procedure is set with the work time according to the method in the separate Service Manual, refer to this Manual as required.
- Work methods permitting servicing in the shortest time still permitting assurance of safe work and product warranty are used for the setting of service items not listed in the Service Manual.
- Work basically is to be performed by one person, and when two or more people are required, setting is done as the total time for the number of people.
- The set value for the technological level of the workers uses a person with three years of experience in the repair of Honda vehicles as the standard.
- Special tools and service equipment used to set FRT are those specified or recommended in Service Manual.

Service item whose FRT is not presented

- Accessories and service parts that are not listed to use in this manual.
 - Locations with little aging deterioration or breakage during normal use.
 - Service work that can be finished by one touch.
 - Service work that is seldom done (i.e. extremely small causes of trouble and service frequency).
- * When FRT is not presented, please calculate wages based on appropriate actual work time

Operation not included of FRT

- Oil and coolant water draining, Waiting time for warming up operation and etc..
- Additional operation that involves removal/installation of standard exterior equipment.
- Indirect time spent for service by visiting the customer, trade-in, and delivery of a MC.
- Indirect time required for ordering and delivery of parts.
- Cost for grease, adhesive agent, etc. used for service work.

**Explanation of FRT by using an example
(The example may differ from the actual presented items)**

Ref. No.	L.O.N.	(Relative ref. Number) Description	F.R.T.
②	111118	(1, 3, 4, 7) CAMSHAFT 4.5	②
③	111118A	⑥ • Includes: Valve clearance adjustment Replace rocker arm add 1.0	⑤

- ① Reference No. of the illustration of part that shows location of the replacement work.
- ② FRT is an abbreviation of Flat Rate Time indicating the standard service time required for the replacement.
- ③ LON is an abbreviation of Labor Operation Number, and it is a classification of the service items by the work unit code.

The same operation code is used regardless of the models.

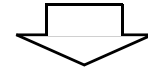
Standard operation is indicated with 6 digits code, and additional operation is indicated with 7 digits code.
- ④ Indicating the camshaft replacement and FRT4.5.
- ⑤ Indicating FRT1.0 that will be added when additional operation (replace rocker arm) is done in association with camshaft replacement.

- ⑥ Indicating work contents that are included in the service item.
- ⑦ Indicating a reference No. whose operation and time are the same as FRT4.5 for the camshaft.

(The application range is limited to the service items without an LON setting within a same block.)

**How to refer to the service item by using the sample
(camshaft replacement)**

Open to the page of the block where the camshaft's spare part illustration is shown.



Look for the camshaft illustration, and refer to the service item and FRT that agree with the reference No.

Indication mark for the listing of service items that continues to the following page

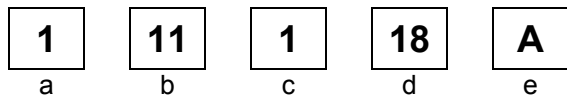
Ref. No.	L.O.N.	(Relative ref. Number) Description	F.R.T.
2	111118	CAMSHAFT	4.5
	.	.	.
	.	.	.

+
Mark indicated at the last line.

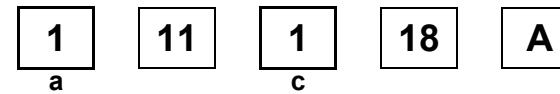
Indication of the block with no setting of FRT

Ref. No.	L.O.N.	(Relative ref. Number) Description	F.R.T.
NO INFORMATION			

• LON code system



- a) Category code..... Engine
- b) Location/function code Engine upper
- c) Operation code..... Replace
- d) Operation sequence number (Unit code can be shown with alphabet) camshaft (No regular rule of code)
- e) Additional code replace rocker arm (No regular rule of code)



a) Category codes and classification

Code	Category
1	Engine
2	Transmission
3	Fuel & Exhaust
4	Frame & Body
5	Steering/Suspension
6	Electrical
7	Wheels/Brakes
8	Controls/instrument
9	-
0	-

c) Operation codes and classification

Code	Operation category
1	Replace, Removal/Installation, Change
2	Overhaul
3	Adjust, Balance
4	(Paint-related work: Top-coat)
5	Test, Inspect/diagnose, Measurement, Check
6	(Overhaul-related work: Rebore)
7	(Overhaul-related work: Reseal)
8	(Resurface)
9	(Paint-related work: Refinish)
0	Repair, Cleaning, Air bleeding

Major service items without using spare parts
Removal/Installation, Adjustment, Inspection/Measurement, Overhaul, Other work

[E: Engine, F: Frame]

* OPERATIONS OTHER THAN REPLACING PARTS

• Removal/installation

Set for the configuration with the parts removed from the vehicle.

	LON	DESCRIPTION	FRT
E	1101E5	TILTING ENGINE ASSEMBLY-REMOVAL/INSTALLATION INCLUDES: All necessary adjustment	1.7
	3111D6	CARBURETOR ASSEMBLY-REMOVAL/INSTALLATION	0.4
	1101E6	CRANKCASE SEPARATION INCLUDES: Engine removal and installation	3.7

• Adjustment

	LON	DESCRIPTION	FRT
E	3113A0	CARBURETOR IDLE-ADJUSTMENT	0.1
	6143A1	SPARK PLUG-ADJUSTMENT/CLEANING	0.2
	1113A0	VALVE CLEARANCE-ADJUSTMENT NOTE: For 1 vehicle	0.4
F	6163A0	HEADLIGHT-AIMING	0.1
	7113A1	REAR BRAKE-ADJUSTMENT EXCLUDES: Rear brake shoe adjustment	0.1
	3113A3	THROTTLE OPERATION-ADJUSTMENT	0.3

• Inspection/Measurement

	LON	DESCRIPTION	FRT
E	1115A0	COMPRESSION PRESSURE-MEASUREMENT	0.2
	3115A0	CARBURETOR FLOAT LEVEL-MEASUREMENT	1.0
	6145A0	IGNITION TIMING-INSPECTION	0.2
F	6105A0	BATTERY-CHECKING OF ELECTROLYTE LEVEL & CHARGE	0.2

• Overhaul

Work condition: The required Measurements, inspections, adjustments, and cleaning/washing of each part are performed, including the main body removal/installation work and the replacement of defective parts.

	LON	DESCRIPTION	FRT
E	311200	CARBURETOR-OVERHAUL INCLUDES: All necessary adjustment	1.3

• Other work

	LON	DESCRIPTION	FRT
E	1130A1	OIL FILTER SCREEN-CLEANING	0.2
F	7110A0	FRONT BRAKE-AIR BLEEDING	0.4

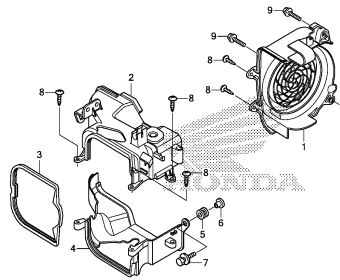
ENGINE GROUP

C10

E-1

SHROUD/FAN COVER

D 1

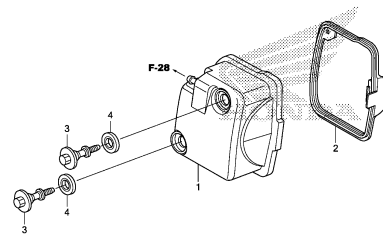


KZLME0100

E-2

CYLINDER HEAD COVER

D 2

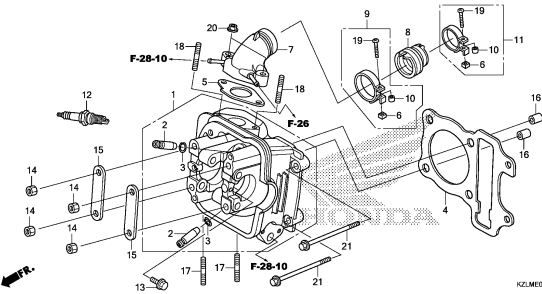


KZLME0200

E-3

CYLINDER HEAD

D 3

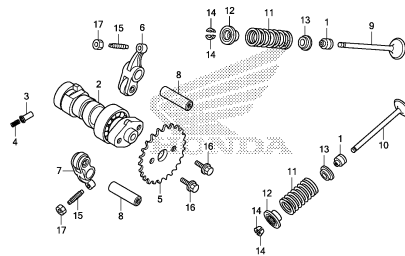


KZLME0300

E-4

CAMSHAFT/VALVE

D 5

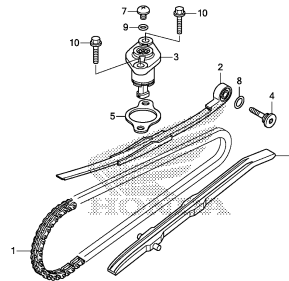


KZLME0400

E-5

CAM CHAIN/TENSIONER

D 7

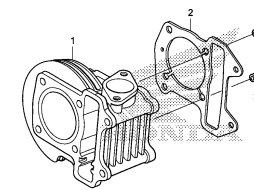


KZLME0500

E-6

CYLINDER

D 8

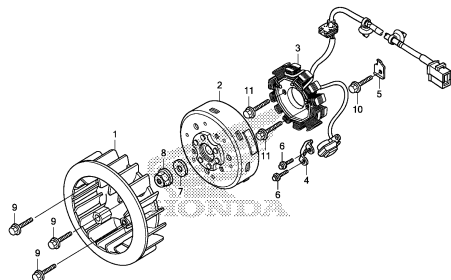


KZLME0600

E-8

GENERATOR

D 9

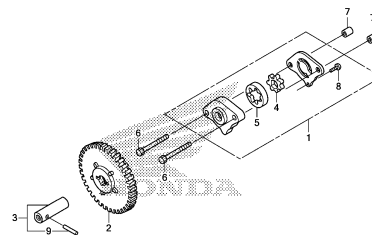


KZLME0800

E-11

OIL PUMP

D10

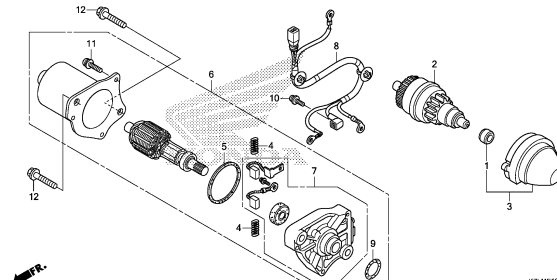


KZLME1100

E-12

STARTING MOTOR

D11



KZLME1200

2

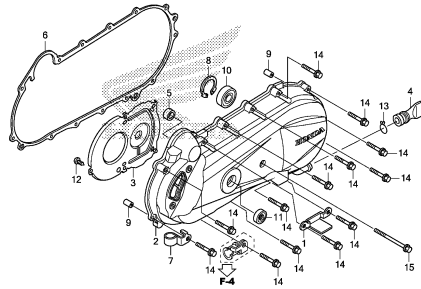
ENGINE GROUP

C11

E-13

LEFT CRANKCASE COVER

D12

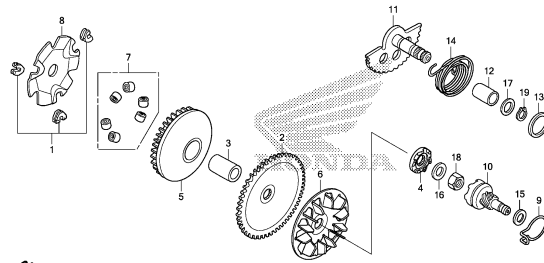


KZLME1300A

E-16

DRIVE FACE

D13

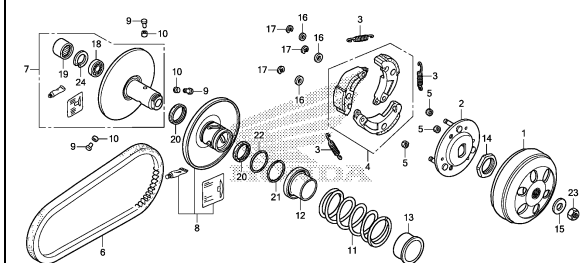


KZLME1600

E-17

DRIVEN FACE

D14

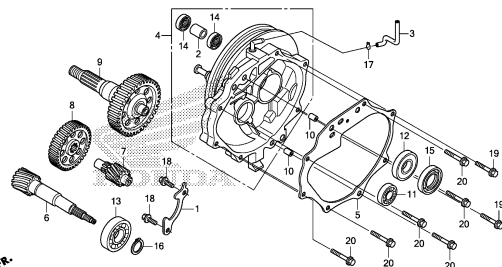


KZLME1700

E-17-10

TRANSMISSION

D16

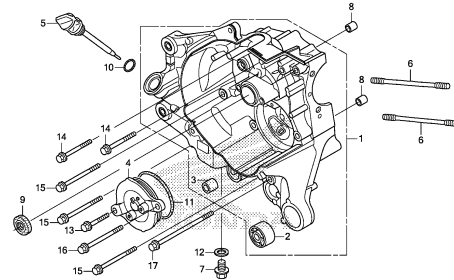


KZLME1710

E-19-10

RIGHT CRANKCASE

E 2

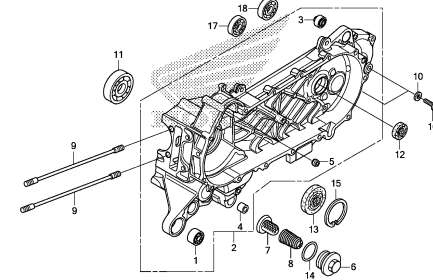


KZLME1910A

E-19-20

LEFT CRANKCASE

E 3

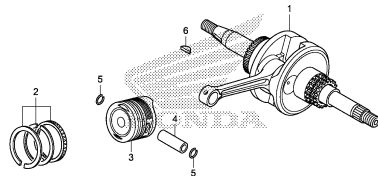


KZLME1920

E-20

CRANKSHAFT/PISTON

E 4

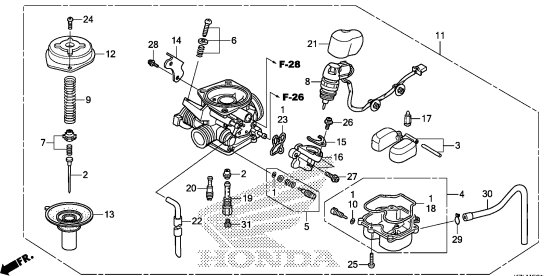


KZLME2000

E-21

CARBURETOR

E 5



KZLME2100

2

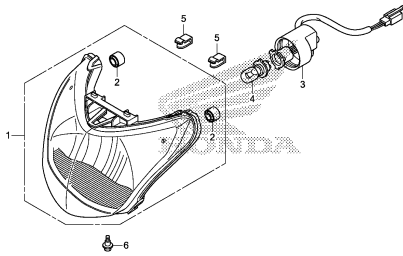
FRAME GROUP

C12

F-1

HEADLIGHT(NSC110CSD/E)

F 1

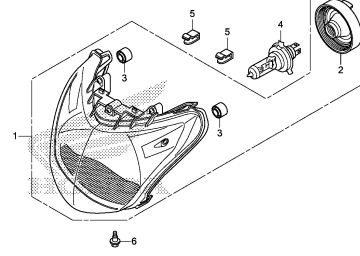


KZLMP0100

F-1-1

HEADLIGHT(NSC110CSG)

F 2

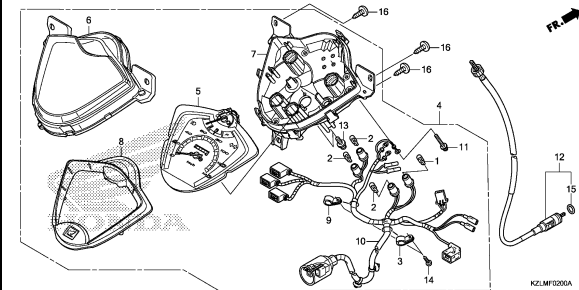


KZLMP0101

F-2

SPEEDOMETER

F 3

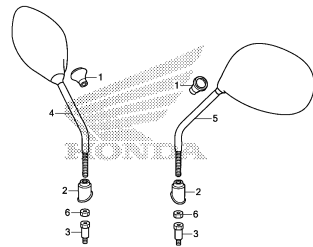


KZLMP0200A

F-3

MIRROR

F 4

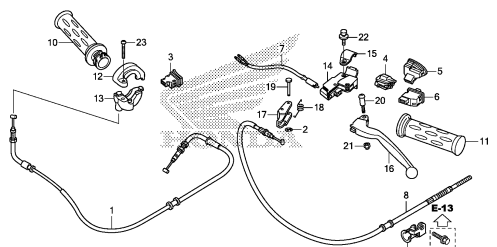


KZLMP0300

F-4

HANDLE LEVER/SWITCH/CABLE

F 5

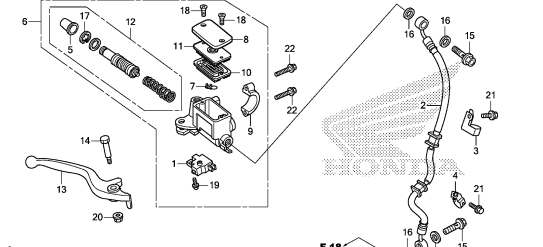


KZLMP0400

F-5

FRONT BRAKE MASTER CYLINDER

F 6

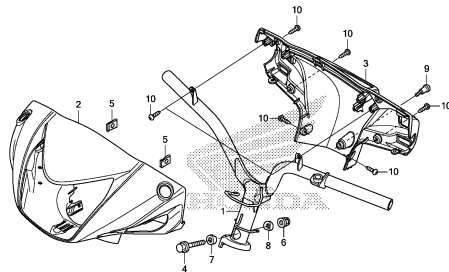


KZLMP0500

F-9

HANDLE PIPE/HANDLE COVER

F 7

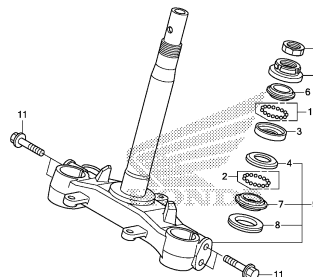


KZLMP0600

F-10

STEERING STEM

F 9

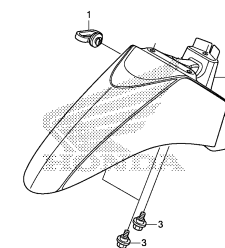


KZLMP1000

F-11

FRONT FENDER

F10



KZLMP1100

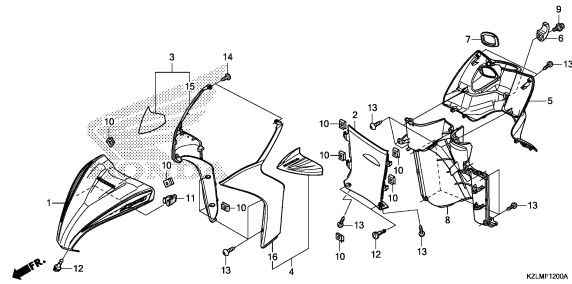
FRAME GROUP

C13

F-12

FRONT COVER/INNER COVER

F11

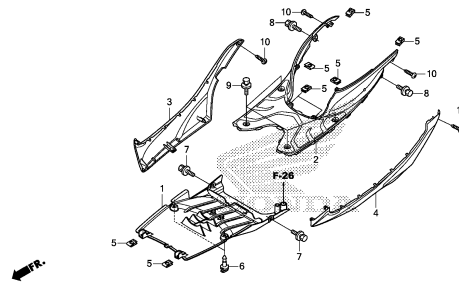


KZLMF1200A

F-14

FLOOR STEP

F13

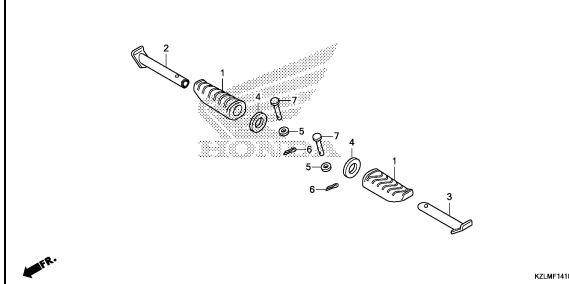


KZLMF1400

F-14-10

PILLION STEP

F14

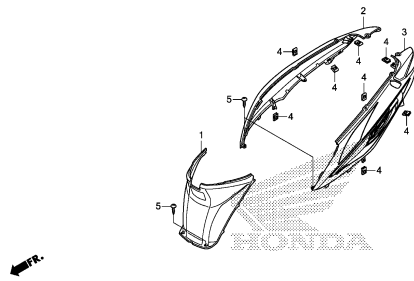


KZLMF1410

F-15

BODY COVER

F15

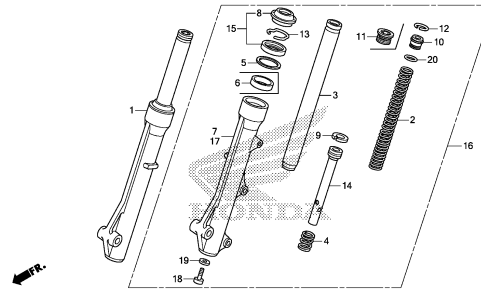


KZLMF1500

F-17

FRONT FORK

G 1

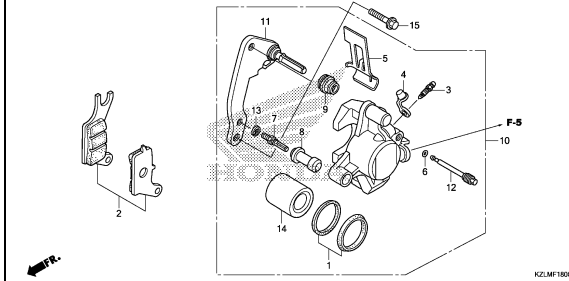


KZLMF1700

F-18

FRONT BRAKE CALIPER

G 4

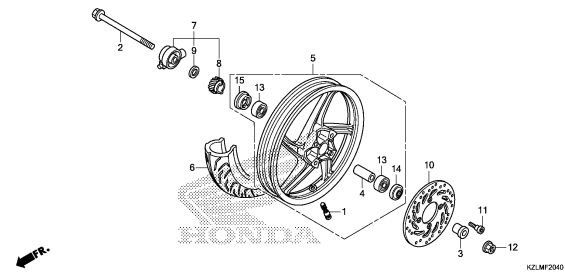


KZLMF1800

F-20-40

FRONT WHEEL

G 5

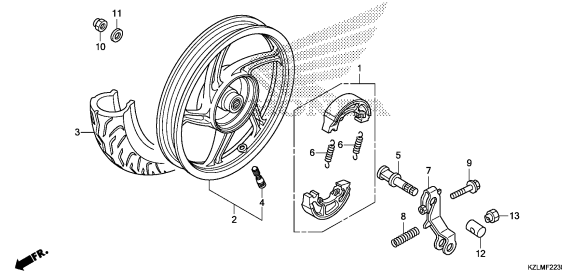


KZLMF2040

F-22-30

REAR WHEEL

G 7

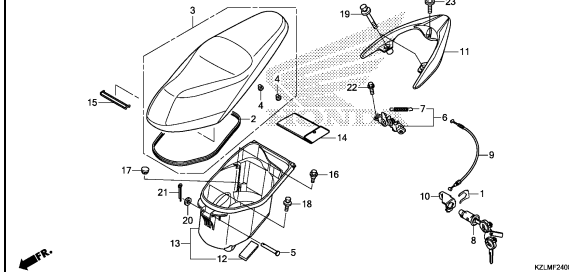


KZLMF2230

F-24

SEAT/LUGGAGE BOX

G 8



KZLMF2400

3

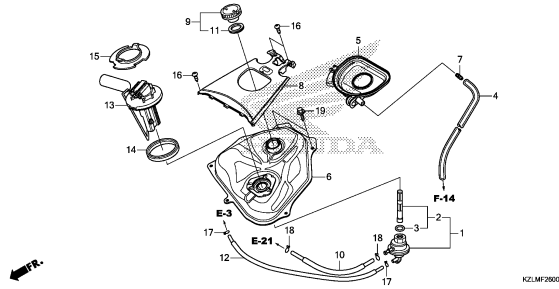
FRAME GROUP

C14

F-26

FUEL TANK

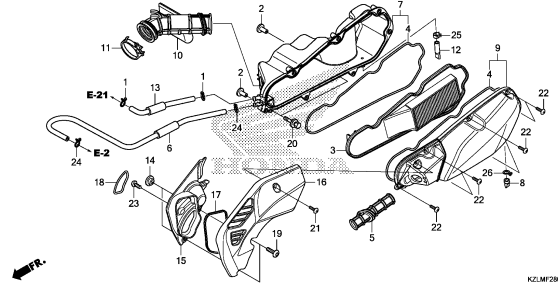
G10



F-28

AIR CLEANER

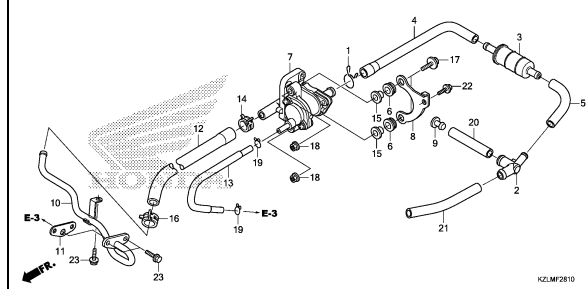
G11



F-28-10

AIR SUCTION VALVE

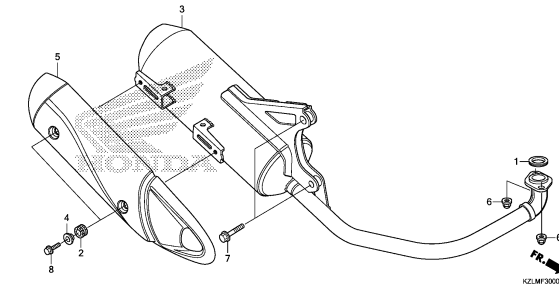
G13



F-30

EXHAUST MUFFLER

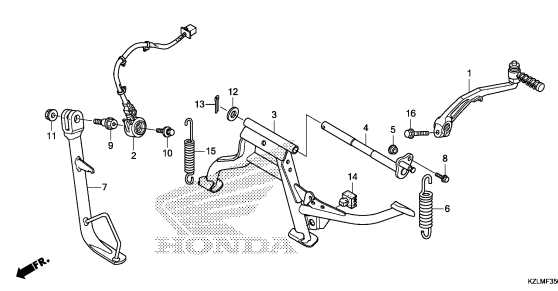
G14



F-35

STAND/KICK STARTER ARM

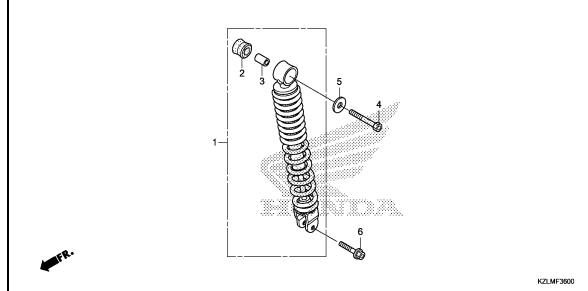
G15



F-36

REAR CUSHION

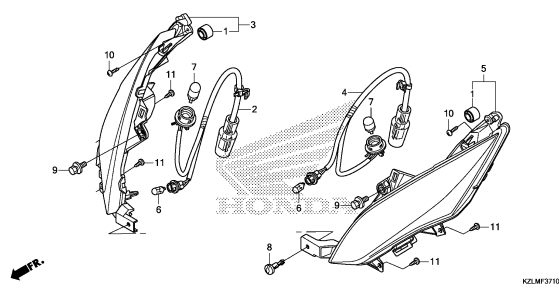
G16



F-37-10

FRONT WINKER

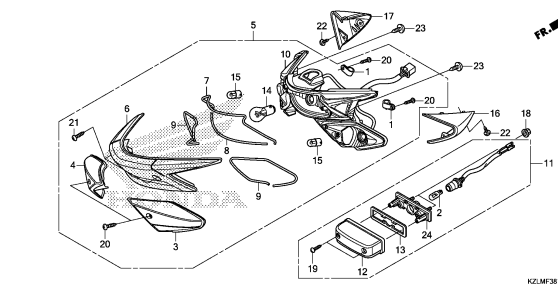
H 1



F-38-10

REAR COMBINATION LIGHT

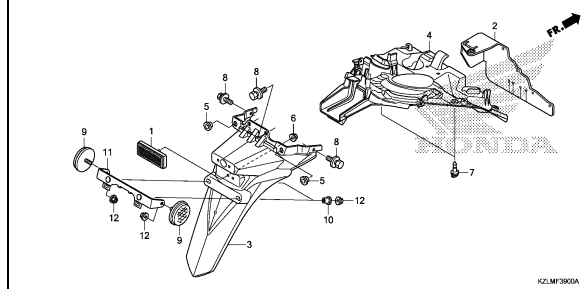
H 2



F-39

REAR FENDER

H 4



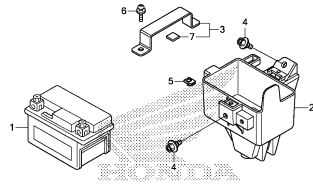
FRAME GROUP

C15

F-40

BATTERY

H 5

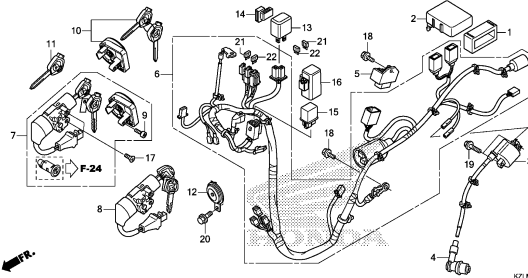


KZLMF400A

F-41

WIRE HARNESS

H 6

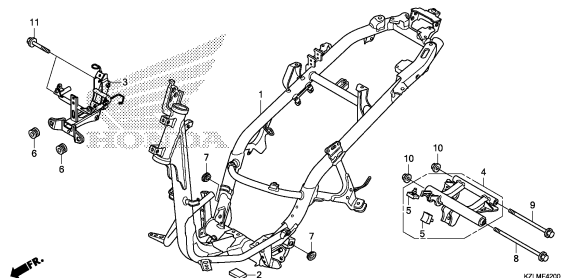


KZLMF4100

F-42

FRAME BODY

H 8

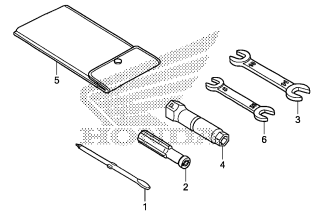


KZLMF4200

F-46

TOOLS

H 9

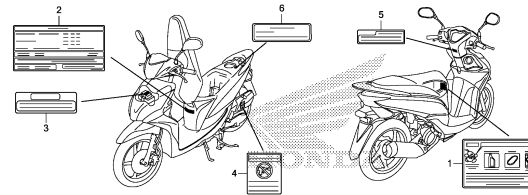


KZLMF4600

F-47

CAUTION LABEL

H10

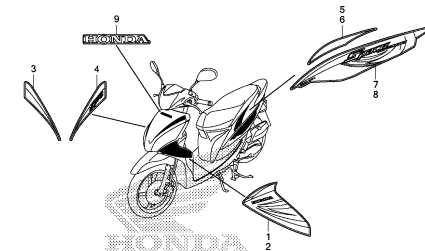


KZLMF4700

F-48

MARK/STRIPE(1)

H11

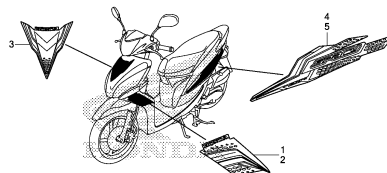


KZLMF4800

F-48-1

MARK/STRIPE(2)

H13

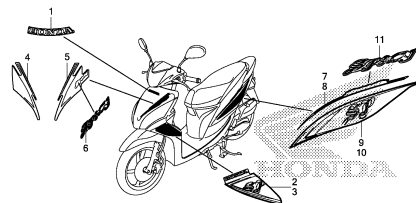


KZLMF4801

F-48-2

MARK/STRIPE(3)

H15

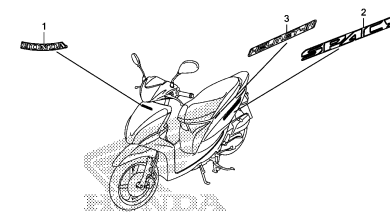


KZLMF4802

F-48-3

MARK/STRIPE(4)

I 1



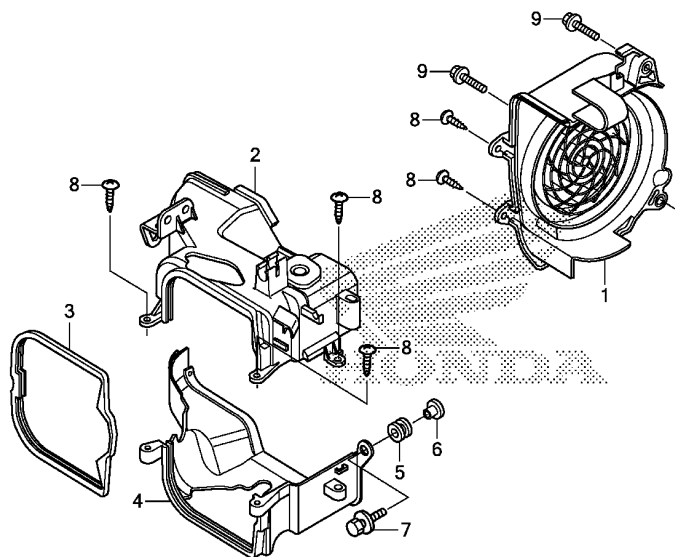
KZLMF4803

3

E-1

SHROUD/FAN COVER

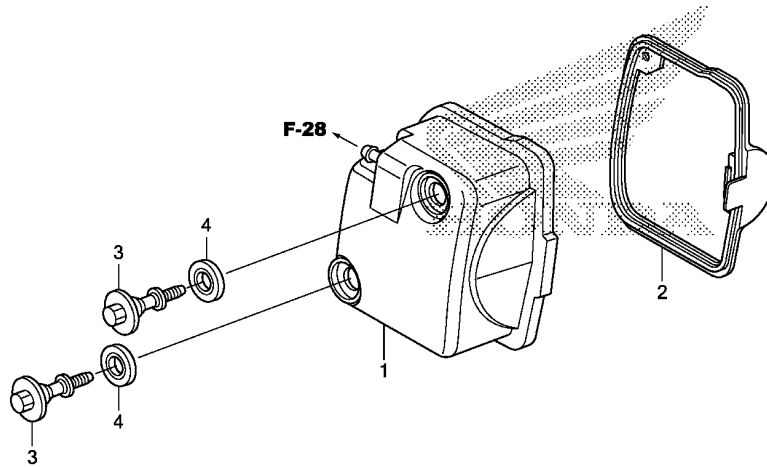
D 1



Ref. No.	L.O.N.	(Relative ref. Number) Description	F.R.T.
1	1151E0	COVER, FAN	0.1
2	1111U9	SHROUD, ENGINE :UPPER	0.5
4	1111V0	SHROUD, ENGINE :LOWER	1.1
	1111Y1	SHROUD, ENGINE :BOTH	1.1

KZLME0100

Ref. No.	Part No.	Description	Reqd. QTY			Serial No.	Parts catalogue code
			D	E	G		
1	19610-KVY-900	COVER COMP., FAN	1	1	1		
2	19621-KZL-A00	SHROUD, IN.	1	1	1		
3	19625-KVY-900	SEAL, SHROUD	1	1	1		
4	19631-KVY-900	SHROUD, EX.	1	1	1		
5	19639-GBC-000	RUBBER, MOUNTING	1	1	1		
6	33715-GB0-900	COLLAR, TAILLIGHT SETTING ...	1	1	1		
7	93404-06020-00	BOLT-WASHER, 6X20	1	1	1		
8	93903-25380	SCREW, TAPPING, 5X16	5	5	5		
9	96001-06025-00	BOLT, FLANGE, 6X25	2	2	2		

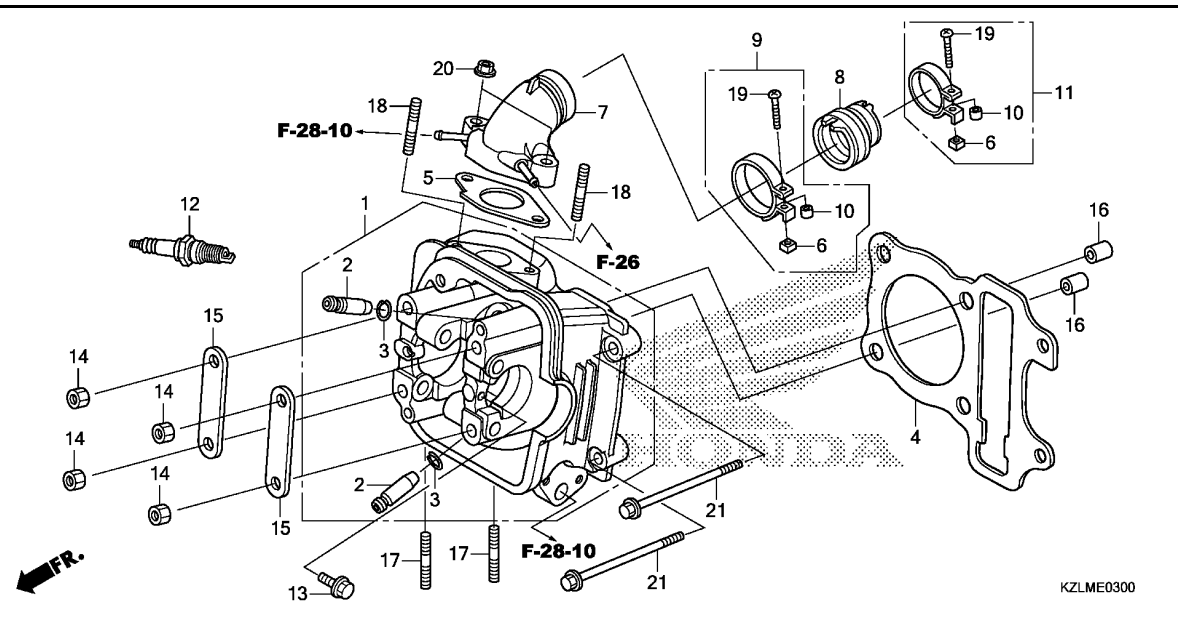


KZLME0200

Ref. No.	L.O.N.	(Relative ref. Number) Description	F.R.T.
1	1111C4	COVER, CYLINDER HEAD	0.2
2	1111D2	GASKET, CYLINDER HEAD COVER ..	0.2

Ref. No.	Part No.	Description	Reqd. QTY			Serial No.	Parts catalogue code
			D	E	G		
1	12310-KVY-901	COVER COMP., CYLINDER HEAD ..	1	1	1		
2	12391-KZL-A00	GASKET, HEAD COVER	1	1	1		
3	90017-GCC-000	BOLT, HEAD COVER	2	2	2		
4	90543-MV9-670	RUBBER, MOUNTING	2	2	2		





Ref. No.	L.O.N.	(Relative ref. Number) Description	F.R.T.
1	111106	HEAD, CYLINDERINCLUDES: Engine removal and installation .INCLUDES: Valve adjust and reface	3.5
2	1111L9	GUIDE, INTAKE VALVE(ONE)INCLUDES: Engine removal and installation .INCLUDES: Reaming .INCLUDES: Valve adjust and reface	3.2
	1111M0	GUIDE, EXHAUST VALVE(ONE)INCLUDES: Engine removal and installation .INCLUDES: Reaming .INCLUDES: Valve adjust and reface	3.2
	1111M9	GUIDE, VALVE :FOR 1 VEHICLE .. .INCLUDES: Engine removal and installation .INCLUDES: Reaming .INCLUDES: Valve adjust and reface	3.5
+ 4	111115	GASKET, CYLINDER HEAD	2.3

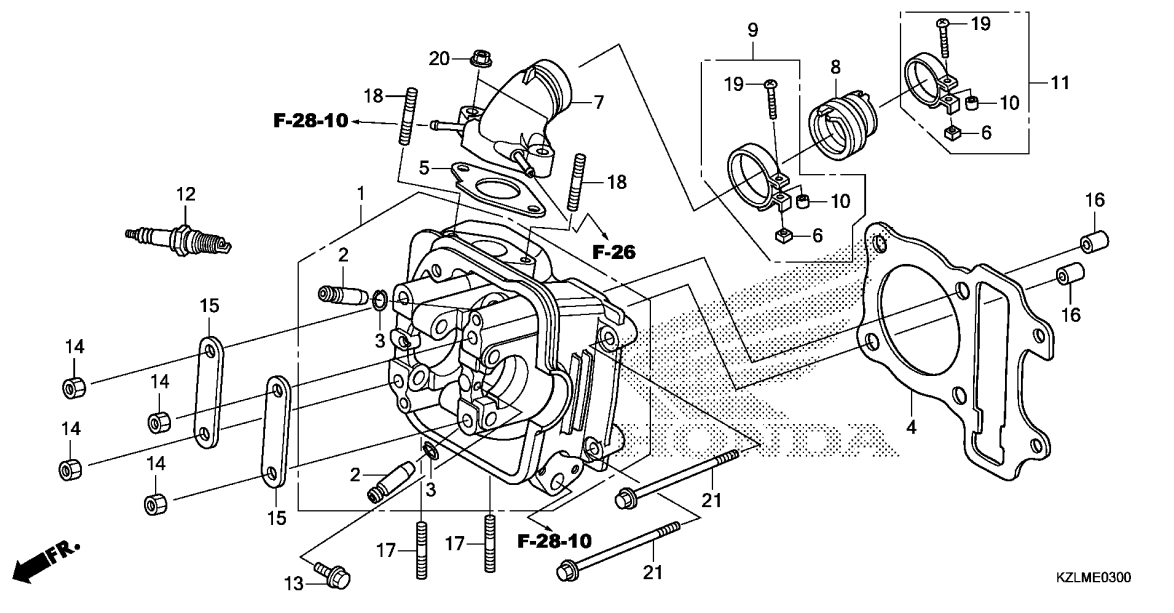
Ref. No.	Part No.	Description	Reqd. QTY			Serial No.	Parts catalogue code
			NSC110CS	D	E		
1	12200-KVY-900	HEAD COMP., CYLINDER	1	1	1		
2	12204-KVY-305	GUIDE, VALVE(O.S.)	2	2	2		
3	12206-KPL-900	CLIP, VALVE GUIDE	2	2	2		
4	12251-KVY-901	GASKET, CYLINDER HEAD (STD/0.25/0.50)	1	1	1		
	12252-KYT-305	GASKET, CYLINDER HEAD (OS 0.75/1.00)	(1)	(1)	(1)		
5	16201-KVY-901	GASKET, CARBURETOR INSULATOR	1	1	1		
6	16222-MV4-300	NUT, SQUARE, 5MM	2	2	2		
7	17110-KVY-900	PIPE, INLET	1	1	1		
8	17112-KZL-A00	INSULATOR, CARBURETOR	1	1	1		
9	17256-KZL-A00	BAND A, INSULATOR	1	1	1		
10	17257-KVB-900	COLLAR	2	2	2		
11	17258-KVY-900	BAND B, INSULATOR	1	1	1		
12	31916-KRM-841	PLUG, SPARK(CPR8EA-9)(NGK) ..	1	1	1		
	31926-KRM-841	PLUG, SPARK(CPR9EA-9)(NGK) ..	(1)	(1)	(1)		
	31926-KYT-901	PLUG, SPARK(U27EPR9)(DENSO) ..	(1)	(1)	(1)		
	31928-MFF-D01	PLUG, SPARK(U24EPR9)(DENSO) ..	1	1	1		
13	90001-KVY-900	BOLT, FLANGE, 6X10	1	1	1		
14	90201-GCC-000	NUT, HEX., 7MM	4	4	4		
15	90401-KVY-900	PLATE, PLUNGER	2	2	2		
16	90701-KFM-900	DOWEL PIN, SPECIAL, 8X14	2	2	2		
17	92900-06012-0B	BOLT, STUD, 6X12	2	2	2		
18	92900-06028-0B	BOLT, STUD, 6X28	2	2	2		
19	93500-05025-0H	SCREW, PAN, 5X25	2	2	2		
20	94050-06000	NUT, FLANGE, 6MM	2	2	2		
21	95701-06100-00	BOLT, FLANGE, 6X100	2	2	2		

2

E-3

CYLINDER HEAD

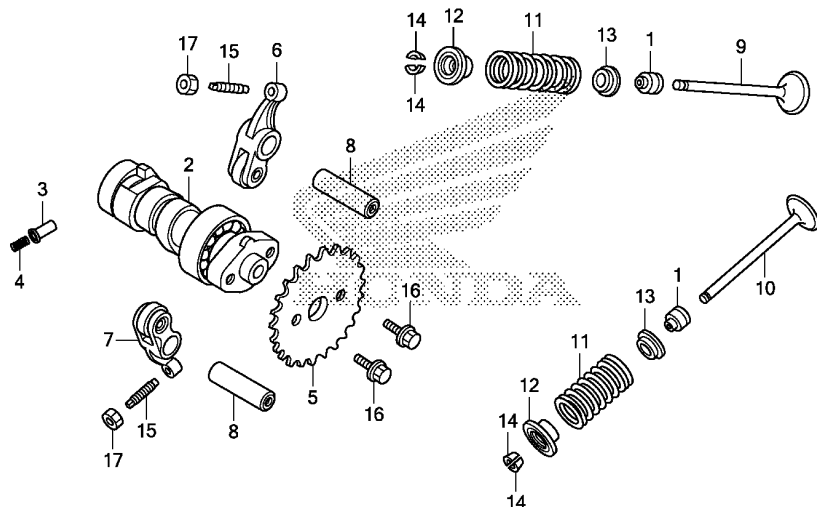
D 4



Ref. No.	L.O.N.	(Relative ref. Number) Description	F.R.T.
+ 4		.INCLUDES: Engine removal and installation	
7	111107	MANIFOLD, INTAKE	0.4
8	311131	INSULATOR, THROTTLE BODY/ CARBURETOR	0.4
12	614130	PLUG, SPARK	0.2

KZLME0300

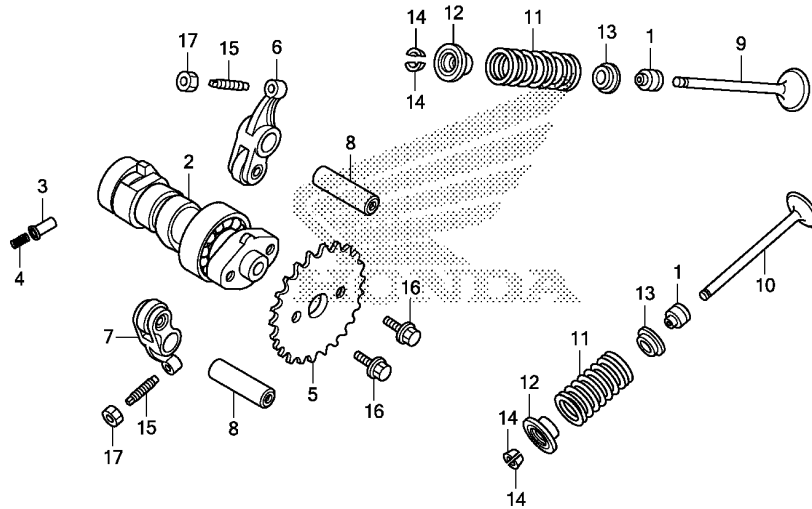
2



KZLME0400

Ref. No.	L.O.N.	(Relative ref. Number) Description	F.R.T.
2	111118	CAMSHAFTINCLUDES: Engine removal and installation .INCLUDES: Valve adjustment	2.5
5	1111Q4	SPROCKET, CAM	0.5
6	1111K8	ARM, INTAKE VALVE ROCKER(ONE) .INCLUDES: Engine removal and installation .INCLUDES: Valve adjustment (8)	2.5
7	1111K9	ARM, EXHAUST VALVE ROCKER(ONE) .INCLUDES: Engine removal and installation .INCLUDES: Valve adjustment (8)	2.5
	1111L8	ARM, VALVE ROCKER :FOR 1 VEHICLEINCLUDES: Engine removal and installation .INCLUDES: Valve adjustment	2.5
9	1111N0	VALVE, INTAKE(ONE)INCLUDES: Engine removal and installation .INCLUDES: Refacing	2.8
+10	1111N1	VALVE, EXHAUST(ONE)	2.8

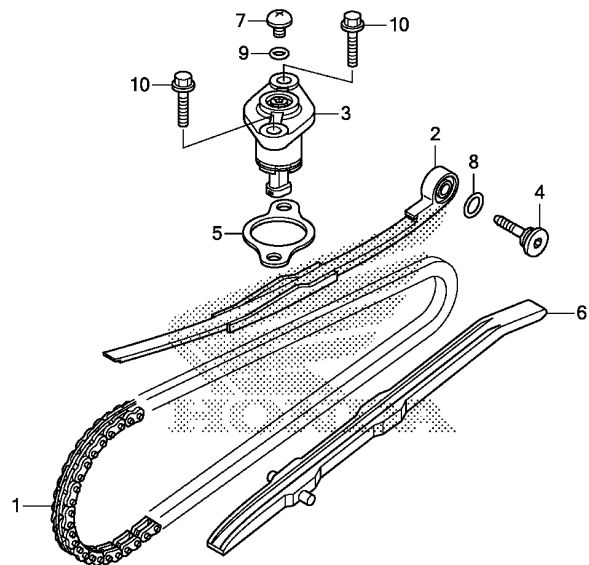
Ref. No.	Part No.	Description	Reqd. QTY			Serial No.	Parts catalogue code
			D	E	G		
1	12209-GB4-681	SEAL, VALVE STEM(NOK)	2	2	2		
2	14100-KVY-900	CAMSHAFT COMP.	1	1	1		
	14100-KZL-A00	1	1	1		
3	14125-KVY-900	PLUNGER, CAM SETTING	1	1	1		
4	14126-KPH-900	SPRING, PLUNGER	1	1	1		
5	14321-KVY-900	SPROCKET, CAM(34T)	1	1	1		
6	14430-KVY-901	ARM COMP., IN. VALVE ROCKER ..	1	1	1		
7	14440-KVY-901	ARM COMP., EX. VALVE ROCKER ..	1	1	1		
8	14461-KVB-900	SHAFT, EX. ROCKER ARM					
		(IN./EX.)	2	2	2		
9	14711-KVY-900	VALVE, IN.	1	1	1		
10	14721-KVY-900	VALVE, EX.	1	1	1		
11	14751-KWP-900	SPRING, VALVE	2	2	2		
12	14771-GB4-680	RETAINER, VALVE SPRING	2	2	2		
13	14775-KVY-900	SEAT, VALVE SPRING	2	2	2		
14	14781-MA6-000	COTTER, VALVE	4	4	4		
15	90012-333-000	SCREW, TAPPET ADJUSTING	2	2	2		
16	90083-GB6-911	BOLT, KNOCK, 5MM	2	2	2		
17	90206-001-000	NUT, TAPPET ADJUSTING	2	2	2		



KZLME0400

Ref. No.	L.O.N.	(Relative ref. Number) Description	F.R.T.
+10		.INCLUDES: Engine removal and installation	
1111P0		.INCLUDES: Refacing VALVE :FOR 1 VEHICLE	3.0
		.INCLUDES: Engine removal and installation	
11		.INCLUDES: Refacing (1,12,13,14)	
1111P2		INTAKE VALVE SPRING AND/OR STEM SEAL(ONE)	2.6
		.INCLUDES: Engine removal and installation	
1111P3		EXHAUST VALVE SPRING AND/OR STEM SEAL(ONE)	2.6
		.INCLUDES: Engine removal and installation	
1111Q2		VALVE SPRING AND/OR STEM SEAL :FOR 1 VEHICLE	2.7
		.INCLUDES: Engine removal and installation	

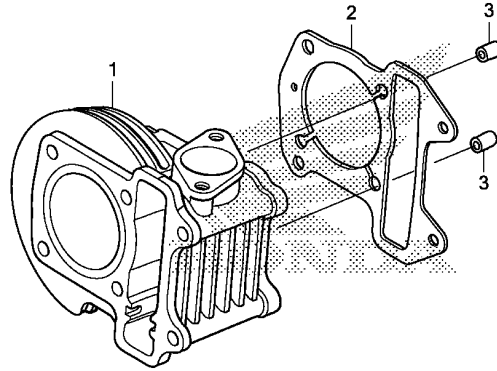




KZLME0500

Ref. No.	L.O.N.	(Relative ref. Number) Description	F.R.T.
1	110140	CHAIN, CAMINCLUDES: Engine removal and installation	4.1
2	111130	TENSIONER, CAM CHAIN (5)	1.0
3	111133	LIFTER, TENSIONER	0.6
6	111139	GUIDE, CAM CHAININCLUDES: Engine removal and installation	2.3

Ref. No.	Part No.	Description	Reqd. QTY			Serial No.	Parts catalogue code
			NSC	110CS	G		
			D	E			
1	14401-KVB-901	CHAIN, CAM(90L)(DAIDO)	1	1	1		
2	14510-KVB-900	TENSIONER, CAM CHAIN	1	1	1		
3	14520-GFC-771	LIFTER ASSY., TENSIONER	1	1	1		
	14520-KVY-901	LIFTER ASSY., TENSIONER (NIPPON HATSUJO)	1	1	1		
	14520-K25-901	-	1	1		
4	14531-KVY-900	PIVOT, CAM CHAIN TENSIONER ..	1	1	1		
5	14560-KCW-851	GASKET, TENSIONER LIFTER	1	1	1		
6	14611-KVB-900	GUIDE, CAM CHAIN	1	1	1		
7	90005-KY7-000	SCREW, PAN, 6X6	1	1	1		
8	91301-GRO-004	O-RING, 15.2X1.5	1	1	1		
9	91306-MG3-000	O-RING, 1.5X9.5	1	1	1		
10	95701-06022-00	BOLT, FLANGE, 6X22	2	2	2		

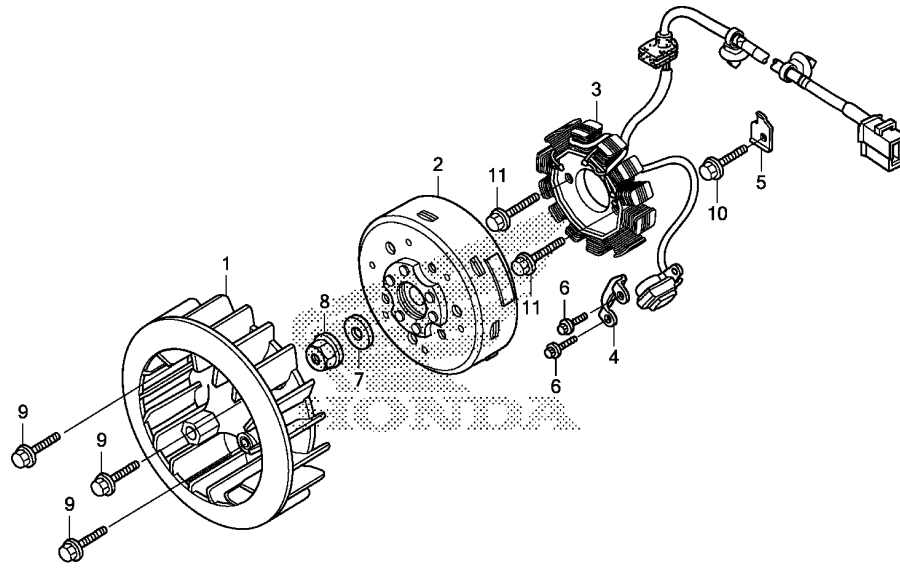


KZLME0600

Ref. No.	L.O.N.	(Relative ref. Number) Description	F.R.T.
1	1111A5	CYLINDERINCLUDES: Engine removal and installation	2.7
2	111102	GASKET, CYLINDERINCLUDES: Engine removal and installation	2.6

Ref. No.	Part No.	Description	Reqd. QTY			Serial No.	Parts catalogue code
			NSC	110CS			
			D	E	G		
1	12100-KVY-900	CYLINDER COMP.	1	1	1		
2	12191-KVY-901	GASKET, CYLINDER	1	1	1		
3	90701-KFM-900	DOWEL PIN, SPECIAL, 8X14	2	2	2		

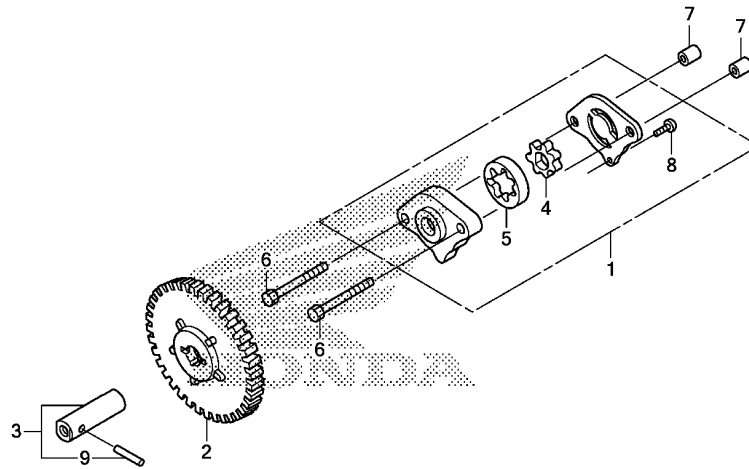




FR. →
KZLME0800

Ref. No.	L.O.N.	(Relative ref. Number) Description	F.R.T.
1	1151A6	FAN, COOLING	0.2
2	613105	ROTOR OR FLYWHEEL	0.4
3	6131A3	STATOR	1.4

Ref. No.	Part No.	Description	Reqd. QTY			Serial No.	Parts catalogue code
			NSC110CS	D	E		
1	19510-KVY-900	FAN COMP., COOLING	1	1	1		
2	31110-KZL-A01	FLYWHEEL COMP.(MITSUBA)	1	1	1		
	31110-KZL-A02	FLYWHEEL COMP.(DENSO)	1	1	-		
3	31120-KZL-A01	STATOR COMP.(MITSUBA)	1	1	1		
	31120-KZL-A02	STATOR COMP.(DENSO)	1	1	-		
4	32907-KVY-900	CLIP, A.C. GENERATOR CORD ...	1	1	1		
5	32976-KZL-A00	PLATE, A.C. GENERATOR CORD ..	1	1	1		
6	90002-KGH-900	BOLT, FLANGE, 5X14	2	2	2		
7	90410-HC4-000	WASHER, 10MM	1	1	1		
8	94050-10000	NUT, FLANGE, 10MM	1	1	1		
9	95701-06016-00	BOLT, FLANGE, 6X16	3	3	3		
10	96001-06016-00	BOLT, FLANGE, 6X16	1	1	1		
11	96001-06020-00	BOLT, FLANGE, 6X20	2	2	2		



Ref. No.	L.O.N.	(Relative ref. Number) Description	F.R.T.
1		(4,5)	
113105		PUMP ASSY., OIL	1.5
2	1131C4	GEAR, OIL PUMP DRIVEN	1.3

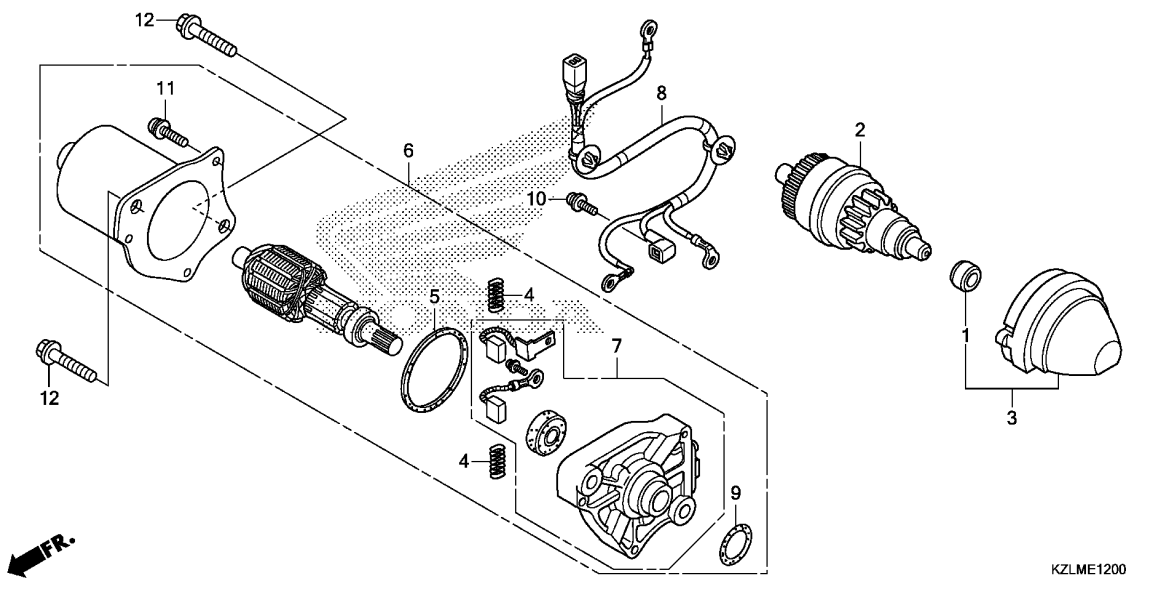
Ref. No.	Part No.	Description	Reqd. QTY			Serial No.	Parts catalogue code
			D	E	G		
1	15100-KVB-900	PUMP ASSY., OIL	1	1	1		
2	15133-KVY-900	GEAR, OIL PUMP DRIVEN(39T) ..	1	1	1		
3	15135-KVY-900	SHAFT COMP., OIL PUMP	1	1	1		
4	15331-KVB-900	ROTOR, OIL PUMP INNER	1	1	1		
5	15332-KVB-900	ROTOR, OIL PUMP OUTER	1	1	1		
6	90002-GFC-900	BOLT, HEX., 6X30	2	2	2		
7	90702-KFM-900	DOWEL PIN, 8X12	2	2	2		
8	93901-34120	SCREW, TAPPING, 4X8	1	1	1		
9	96220-30168	ROLLER, 3X16.8	1	1	1		



E-12

STARTING MOTOR

D11



Ref. No.	L.O.N.	(Relative ref. Number) Description	F.R.T.
2	6121A6	PINION, STARTER	0.3
3	612145	HOLDER, STARTER DRIVE GEAR ...	0.2
6	612105	(9) MOTOR, STARTING	0.6
7	6121B6	(4,5) BRACKET, STARTING MOTOR FRONT	0.8
8	6111A5	SUB HARNESS, STARTER	1.1

2

FR.

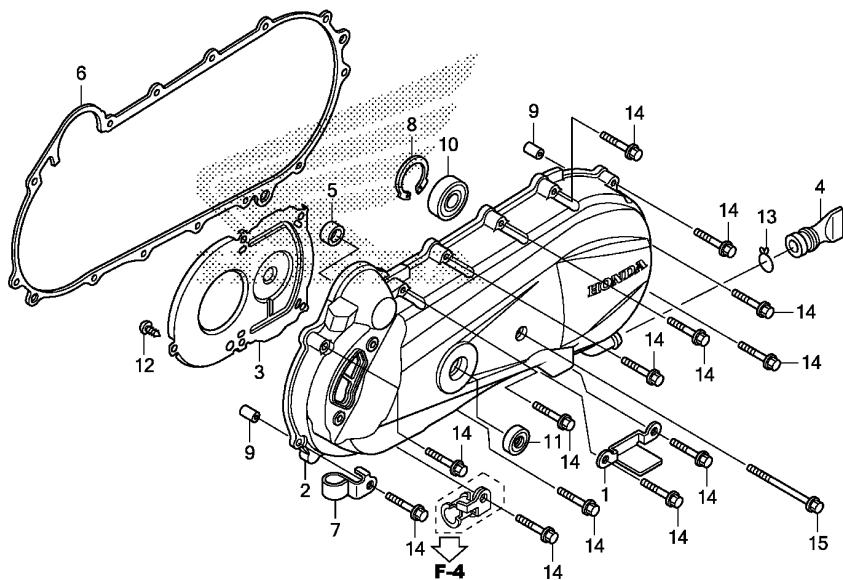
KZLME1200

Ref. No.	Part No.	Description	Reqd. QTY			Serial No.	Parts catalogue code
			D	E	G		
1	11205-GW3-931	BUSH, 8X12X6	1	1	1		
2	28120-KVB-901	PINION ASSY., STARTER(14/40T)	1	1	1		
3	28150-KVB-900	HOLDER COMP., STARTER PINION	1	1	1		
4	31204-KG8-004	SPRING, CARBON BRUSH	2	2	2		
5	31206-GW3-004	PACKING	1	1	1		
6	31210-KVY-961	MOTOR UNIT, STARTER(MITSUBA)	1	1	1		
7	31213-KEE-630	BRACKET COMP., FR.	1	1	1		
8	32410-KZL-A01	SUB CORD, STARTER MOTOR	1	1	1		
9	91309-KEE-630	O-RING	1	1	1		
10	93892-04006-08	SCREW-WASHER, 4X6	1	1	1		
11	93892-05016-08	SCREW-WASHER, 5X16	3	3	3		
12	96001-06035-00	BOLT, FLANGE, 6X35	2	2	2		

E-13

LEFT CRANKCASE COVER

D12

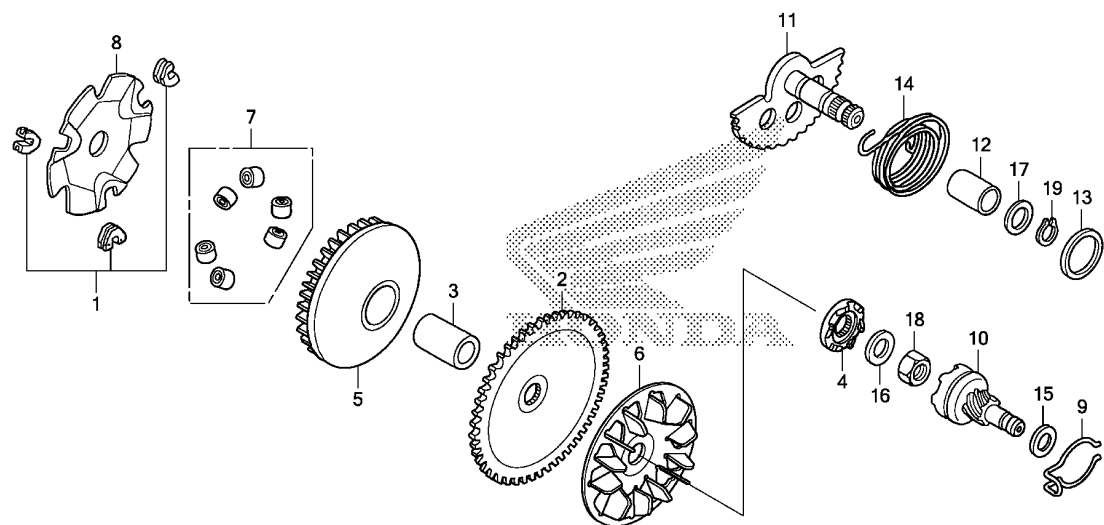


KZLME1300A

Ref. No.	L.O.N.	(Relative ref. Number) Description	F.R.T.
2	1101A6	COVER, CRANKCASE :LEFT	0.5
6	1101A3	GASKET, CRANKCASE COVER :LEFT	0.2
10	2101F0	BEARING, DRIVESHAFT :LEFT	0.4
	2101J1	BEARING, DRIVESHAFT :BOTH	1.2
11	112105	OIL SEAL, KICK STARTER SPINDLE	0.2

Ref. No.	Part No.	Description	Reqd. QTY			Serial No.	Parts catalogue code
			NSC110CS	D	E		
1	11230-KVB-900	COVER, VENT HOLE	1	1	1		
2	11340-KYT-940	COVER COMP., L. SIDE	1	-	-		
	11340-KVY-900	COVER COMP., L.	-	1	1		
3	11342-KVY-900	PLATE, L. COVER	1	1	1		
4	11343-KVG-900	TUBE, DRAIN	1	1	1		
5	11344-GW3-980	RUBBER, STARTER PINION HOLDER	1	1	1		
6	11395-KVY-901	GASKET, L. COVER	1	1	1		
7	16236-KVG-900	CLAMPER, DRAIN TUBE	1	1	1		
8	90601-KZL-930	CIRCLIP, INTERNAL, 32MM	1	1	1		
9	90702-KFM-900	DOWEL PIN, 8X12	2	2	2		
10	91005-KVB-N50	BEARING COMP. (6002UU) (SKF) ..	1	1	1		
	91005-KVB-S50	BEARING COMP. (6002UU) (NSK) ..	1	1	-		
11	91211-PE9-003	OIL SEAL, 16X26X6 (ARAI)	1	1	-		
	91212-K44-V01	OIL SEAL, 16X26X6	-	-	1		
12	93903-34120	SCREW, TAPPING, 4X8	5	5	5		
13	95002-80000	CLIP, TUBE (C12)	1	1	1		
14	96001-06035-00	BOLT, FLANGE, 6X35	13	13	13		
15	96001-06085-00	BOLT, FLANGE, 6X85	1	1	1		

2



Ref. No.	L.O.N.	(Relative ref. Number) Description	F.R.T.
2		(6)	
2	2111A0	FACE, DRIVE	0.4
5		(3)	
5	2111A1	FACE, MOVABLE DRIVE	0.4
7		(1,8)	
7	2111A4	ROLLER, WEIGHT	0.4
10		(9)	
10	1121A9	GEAR, KICK STARTER DRIVEN	0.2
11	1121A2	SPINDLE, KICK STARTER	0.4
14		(12)	
14	112103	SPRING, KICK STARTER RETURN ..	0.4

FR.

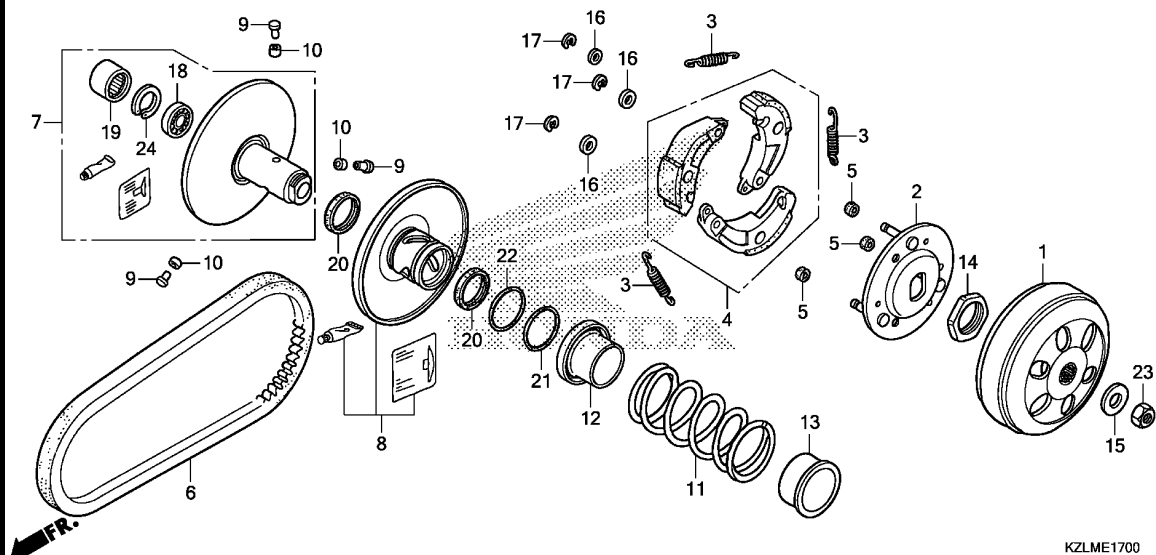
KZLME1600

Ref. No.	Part No.	Description	Reqd. QTY			Serial No.	Parts catalogue code
			NSC110CS	D	E		
1	22011-KVB-T00	PIECE SET, SLIDE	1	1	1		
2	22102-KVY-900	FACE, DRIVE(66T)	1	1	1		
3	22105-KVY-900	BOSS, DRIVE FACE	1	1	1		
4	22109-KVY-900	RATCHET, STARTER	1	1	1		
5	22110-KVY-900	FACE COMP., MOVABLE DRIVE ...	1	1	1		
6	22113-KVY-900	FIN, DRIVE FACE	1	1	1		
7	22123-KVY-900	ROLLER SET, WEIGHT	1	1	1		
8	22131-KVY-900	PLATE, RAMP	1	1	1		
9	28223-GCC-000	SPRING, KICK DRIVEN GEAR	1	1	1		
10	28230-KVB-T00	GEAR COMP., KICK STARTER SPINDLE(7T)	1	1	1		
11	28250-KVB-T02	SPINDLE COMP., KICK STARTER ..	1	1	1		
12	28253-KVB-900	BUSH, KICK SPINDLE	1	1	1		
13	28255-GS6-000	COLLAR, KICK BOSS	1	1	1		
14	28281-GCC-000	SPRING, KICK RETURN	1	1	1		
15	90412-KZL-840	WASHER, THRUST, 10MM	1	1	1		
16	90426-KZL-840	WASHER, SPECIAL, 14MM	1	1	1		
17	90439-443-740	WASHER, 16X22	1	1	1		
18	94030-14200	NUT, HEX., 14MM	1	1	1		
19	94511-16000	CIRCLIP, EXTERNAL, 16MM	1	1	1		

E-17

DRIVEN FACE

D14

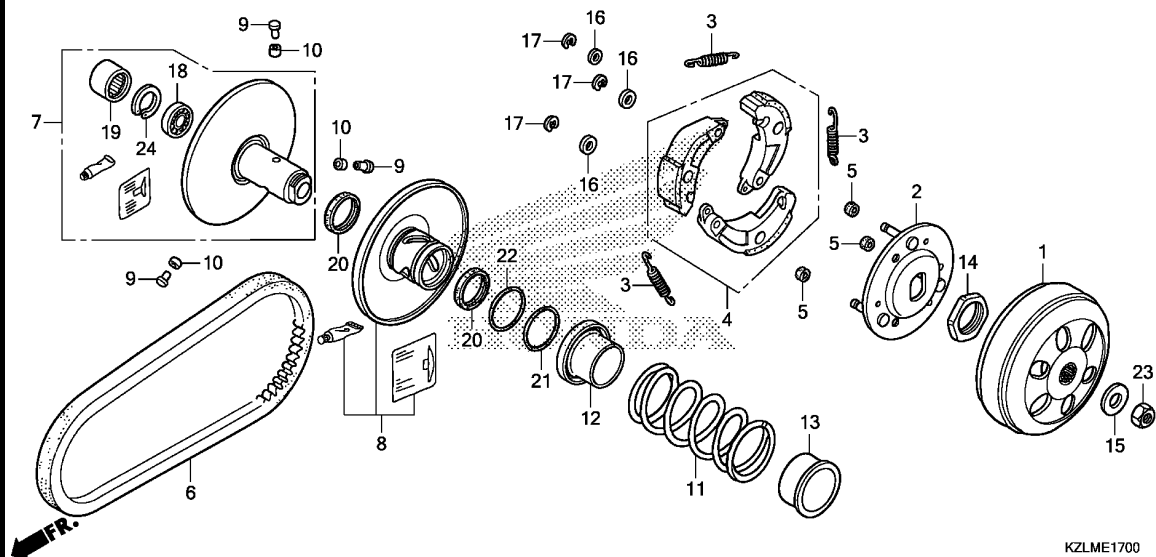


Ref. No.	L.O.N.	(Relative ref. Number) Description	F.R.T.
1	2121A0	OUTER, CLUTCH	0.3
4		(2,3)	
6	2121A6	WEIGHT SET, CLUTCH	0.6
7	2111B2	BELT, DRIVE	0.4
7		(9,10,12)	
8	2111A2	FACE, DRIVEN	0.5
8		(20,21,22)	
11	2111A3	FACE, MOVABLE DRIVEN	0.5
11		(13)	
19	2111A7	SPRING, DRIVEN FACE	0.5
19		(18)	
	2111A8	BEARING, DRIVEN FACE	0.6
	2111A8A	.Replace 1 bearing add	0.1

KZLME1700

Ref. No.	Part No.	Description	Reqd. QTY			Serial No.	Parts catalogue code
			NSC110CS	D	E		
1	22100-KVY-900	OUTER COMP., CLUTCH	1	1	1		
2	22350-KVY-900	PLATE COMP., DRIVE	1	1	1		
3	22401-KVY-900	SPRING, CLUTCH	3	3	3		
4	22535-KZL-A00	WEIGHT SET, CLUTCH	1	1	1		
5	22804-148-000	RUBBER, CLUTCH DAMPER	3	3	3		
6	23100-KVY-901	BELT, DRIVE	1	1	1		
7	23205-KVY-960	FACE SET, DRIVEN	1	1	1		
8	23224-KVY-900	FACE SET, MOVABLE DRIVEN	1	1	1		
9	23225-KSY-900	PIN, ROLLER GUIDE	3	3	3		
10	23226-KVB-900	ROLLER, GUIDE	3	3	3		
11	23233-KZL-A00	SPRING, DRIVEN FACE	1	1	1		
12	23237-GCC-C50	COLLAR, SEAL	1	1	1		
13	23238-GCC-000	COLLAR, SPRING	1	1	1		
14	90202-KN7-670	NUT, SPECIAL, 28MM	1	1	1		
15	90441-GY6-940	WASHER, 12.2X29X2.5	1	1	1		
16	90442-044-000	WASHER, THRUST, 6MM	3	3	3		
17	90454-GB2-000	CIRCLIP, 6MM	3	3	3		
18	91009-KVY-961	BEARING, RADIAL BALL, 6902U (NSK)	1	1	1		
19	91109-KVY-901	BEARING, NEEDLE, 20X29X18 (SCHAEFFLER)	1	1	-		
	91109-KVY-902	-	-	1		
20	91211-GK8-013	OIL SEAL, 34X39X3(ARAI)	2	2	2		
21	91351-642-000	O-RING, PINION CAP	1	1	1		
22	91351-GR1-000	O-RING, 38.5X2	1	1	1		





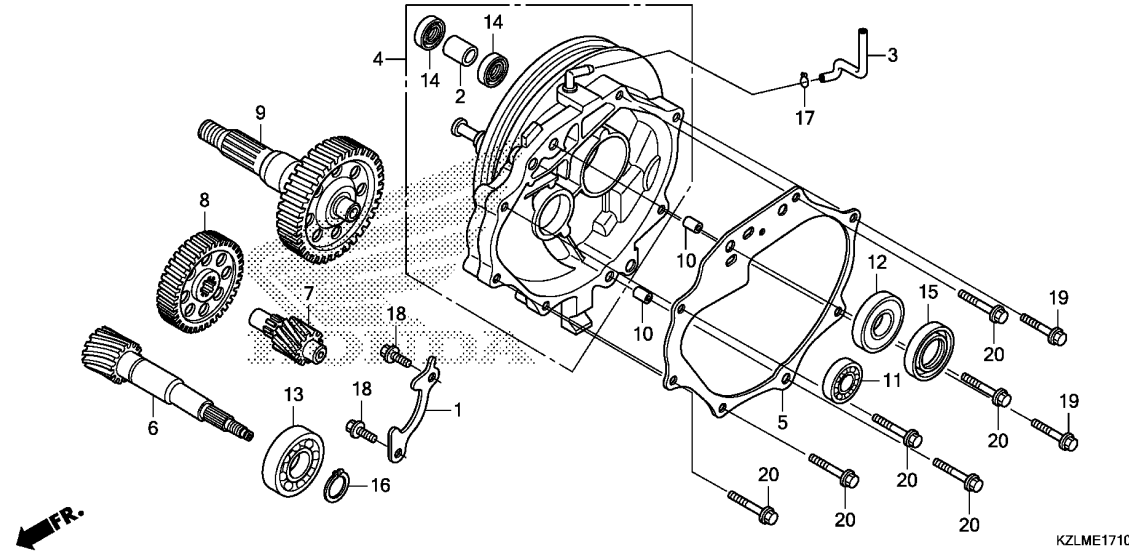
Ref. No.	Part No.	Description	Reqd. QTY			Serial No.	Parts catalogue code
			D	E	G		

23	94030-12200	NUT, HEX., 12MM	1	1	1		
24	94520-28000	CIRCLIP, INTERNAL, 28MM	1	1	1		

E-17-10

TRANSMISSION

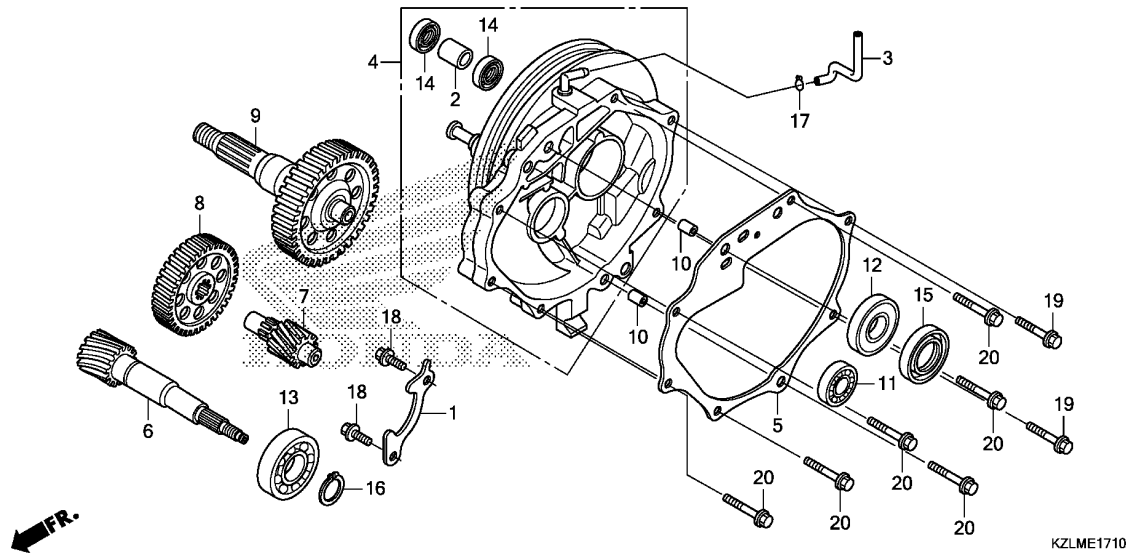
D16



Ref. No.	L.O.N.	(Relative ref. Number) Description	F.R.T.
4	2101A2	CASE, TRANSMISSION	1.1
5	2101A3	GASKET, TRANSMISSION CASE	0.8
6	2101E9	SHAFT, DRIVE	1.1
7	210142	COUNTERSHAFT, TRANSMISSION ...	0.8
8	2101A5	GEAR, COUNTER	0.8
9	210170	SHAFT, FINAL GEAR	0.8
11	2101C8	BEARING, COUNTERSHAFT :RIGHT ..	1.0
	2101C9	BEARING, COUNTERSHAFT :BOTH ..	1.1
12		(15)	
	2101E6	BEARING, FINAL GEAR SHAFT :RIGHT	1.0
	2101J0	BEARING, FINAL GEAR SHAFT :BOTH	1.1
13	2101F1	BEARING, DRIVESHAFT :RIGHT ...	1.1
	2101J1	BEARING, DRIVESHAFT :BOTH	1.2

Ref. No.	Part No.	Description	Reqd. QTY			Serial No.	Parts catalogue code
			NSC110CS	D	E		
1	11108-KZL-930	PLATE, MISSION BEARING SETTING	1	1	1		
2	11204-KGF-900	SLEEVE, RR. BRAKE CAM	1	1	1		
3	11211-KZL-930	TUBE, MISSION BREATHER	1	1	1		
4	21200-KZL-A00	CASE COMP., TRANSMISSION	1	1	1		
5	21395-KVB-901	GASKET, MISSION CASE	1	1	1		
6	23411-KVY-900	SHAFT, DRIVE(18T)	1	1	1		
7	23421-KVB-900	SHAFT, COUNTER(12T)	1	1	1		
8	23422-KVG-900	GEAR, COUNTER(51T)	1	1	1		
9	23430-KVB-900	GEAR COMP., FINAL(45T)	1	1	1		
10	90702-KFM-900	DOWEL PIN, 8X12	2	2	2		
11	91007-KVB-902	BEARING, RADIAL BALL, 6201 (FUJIKOSHI)	1	1	1		
	91007-KVB-S51	BEARING, RADIAL BALL, 6201 (NSK)	1	1	1		
12	91009-KVB-902	BEARING, RADIAL BALL, 60/22 UU (SKF)	1	1	1		
	91009-KZL-931	BEARING, RADIAL BALL, 60/22 UU (NSK)	1	1	1		
13	91015-KVB-901	BEARING, RADIAL BALL, 6204 ..	1	1	1		
	91104-GGC-901	BEARING, RADIAL BALL, 6204 C3 (NSK)	1	1	1		
14	91201-434-003	OIL SEAL, 14X20X3.2	2	2	2		
15	91255-KVB-901	OIL SEAL, 29X44X7(NOK)	1	1	1		
	91255-KVB-902	OIL SEAL, 29X44X7(ARAI)	1	1	1		
16	94510-20000	CIRCLIP, EXTERNAL, 20MM	1	1	1		
17	95002-50000	CLIP, TUBE(C9)	1	1	1		



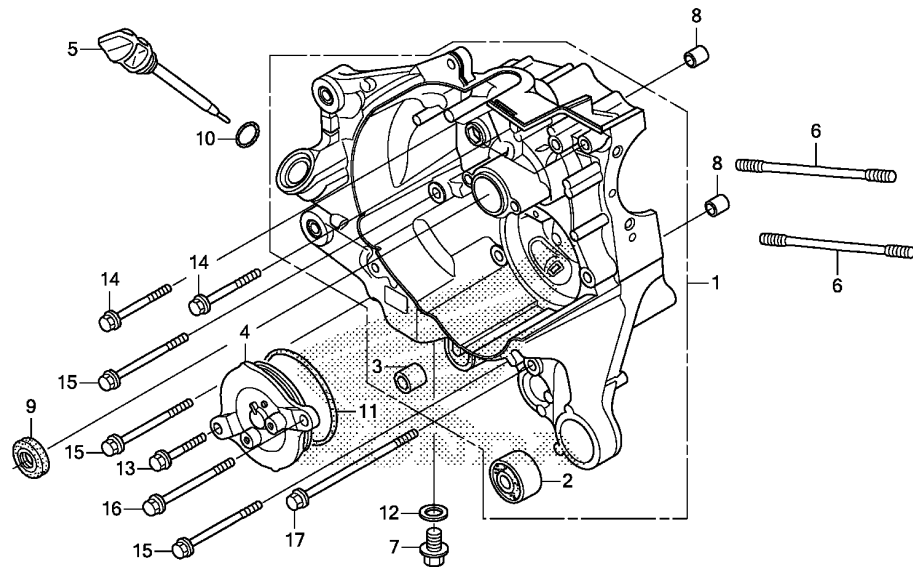


Ref. No.	Part No.	Description	Reqd. QTY			Serial No.	Parts catalogue code
			NSC	110CS			
			D	E	G		
18	95701-06014-00	BOLT, FLANGE, 6X14	2	2	2		
19	95701-06030-00	BOLT, FLANGE, 6X30	2	2	2		
20	95701-06040-00	BOLT, FLANGE, 6X40	6	6	6		

2

E-19-10

RIGHT CRANKCASE

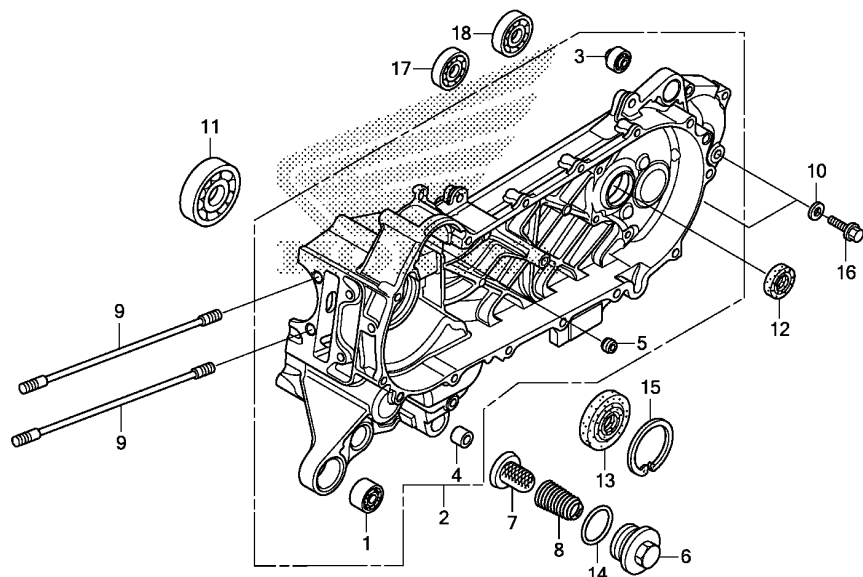


FR. →
KZLME1910A

Ref. No.	L.O.N.	(Relative ref. Number) Description	F.R.T.
1	110120	CRANKCASE :RIGHTINCLUDES: Engine removal and installation	4.0
	1101A2	CRANKCASE :BOTHINCLUDES: Engine removal and installation	5.1
9	110132	OIL SEAL, CRANKSHAFT :RIGHT .. .INCLUDES: Engine removal and installation	3.8
	1101H3	OIL SEAL, CRANKSHAFT :BOTHINCLUDES: Engine removal and installation	4.2

Ref. No.	Part No.	Description	Reqd. QTY			Serial No.	Parts catalogue code
			NSC	110CS	G		
			D	E			
1	11100-KZL-A00	CRANKCASE COMP., R.	1	1	1		
2	11103-KVB-901	BUSH, ENGINE HANGER RUBBER (HOKUSHIN)	1	1	1		
	11103-KVB-930	BUSH, ENGINE HANGER RUBBER ..	1	1	1		
	11216-GGC-900	1	1	1		
3	11205-GBC-300	BUSH, MAINSTAND	1	1	1		
4	11361-KVY-900	COVER, OIL PUMP	1	1	1		
5	15651-KZL-930	GAUGE, OIL LEVEL	1	1	1		
6	90031-KVB-900	BOLT A, STUD, 7X193.5	2	2	2		
7	90131-883-000	BOLT, DRAIN PLUG, 12X15	1	1	1		
8	90702-KZL-930	PIN, SPECIAL DOWEL, 6.3X10X12	2	2	2		
9	91201-GCC-771	OIL SEAL, 16X26X7	1	1	1		
10	91307-035-000	O-RING, 18X3	1	1	1		
11	91307-639-000	O-RING, 64X2	1	1	1		
12	94109-12000	WASHER, DRAIN PLUG, 12MM	1	1	1		
13	95701-06022-00	BOLT, FLANGE, 6X22	1	1	1		
14	95701-06055-00	BOLT, FLANGE, 6X55	3	3	3		
15	95701-06080-00	BOLT, FLANGE, 6X80	3	3	3		
16	95701-06085-07	BOLT, FLANGE, 6X85	1	1	1		
17	95701-06115-00	BOLT, FLANGE, 6X115	1	1	1		



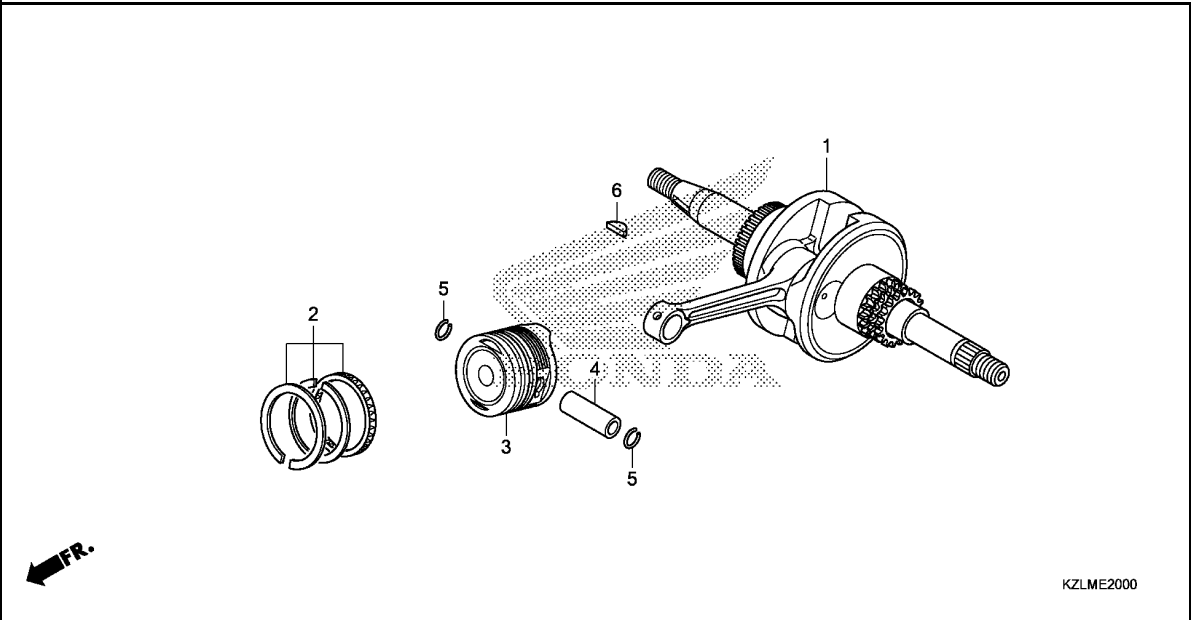


←FR.

KZLME1920

Ref. No.	L.O.N.	(Relative ref. Number) Description	F.R.T.
2	110115	CRANKCASE :LEFTINCLUDES: Engine removal and installation	4.9
	1101A2	CRANKCASE :BOTHINCLUDES: Engine removal and installation	5.1
7	1131B5	SCREEN, OIL FILTER (6,8,14)	0.2
11	1101B6	BEARING, CRANKSHAFT :LEFTINCLUDES: Engine removal and installation	4.1
12	2101E7	OIL SEAL, DRIVESHAFT 13 110131 OIL SEAL, CRANKSHAFT :LEFTINCLUDES: Engine removal and installation	1.1 4.1
	1101H3	OIL SEAL, CRANKSHAFT :BOTHINCLUDES: Engine removal and installation	4.2
17	2101C7	BEARING, COUNTERSHAFT :LEFT ..	1.0
	2101C9	BEARING, COUNTERSHAFT :BOTH ..	1.1
18	2101E5	BEARING, FINAL GEAR SHAFT :LEFT ..	1.0
	2101J0	BEARING, FINAL GEAR SHAFT :BOTH ..	1.1

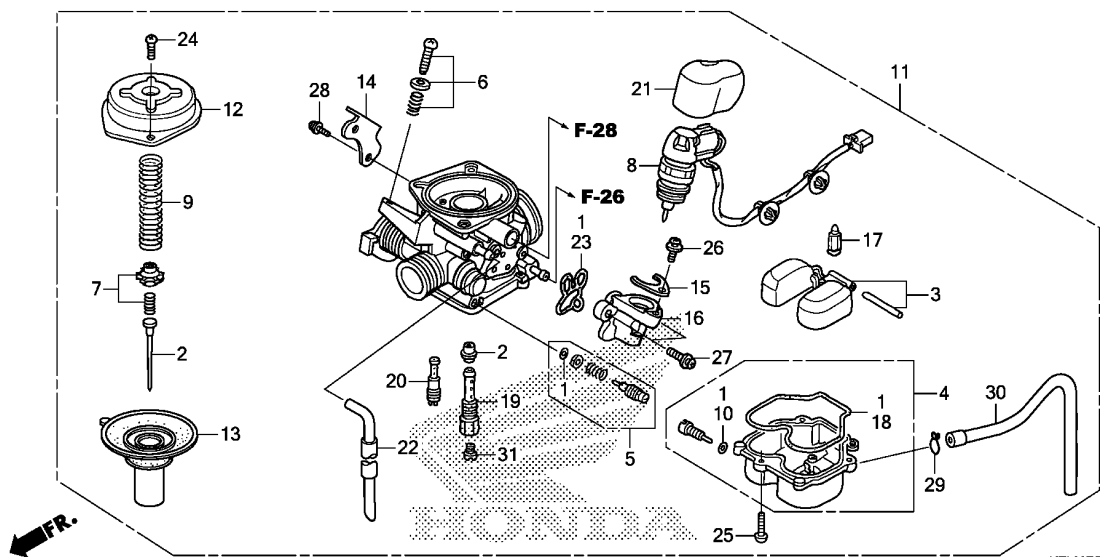
Ref. No.	Part No.	Description	Reqd. QTY			Serial No.	Parts catalogue code
			NSC110CS	D	E		
1	11103-KVB-901	BUSH, ENGINE HANGER RUBBER (HOKUSHIN)	1	1	1		
	11103-KVB-930	BUSH, ENGINE HANGER RUBBER ..	1	1	1		
2	11200-KZL-A00	CRANKCASE COMP., L.	1	1	1		
3	11203-GC7-300	BUSH, RR. CUSHION UNDER RUBBER	1	1	1		
	11203-KVB-901	BUSH, RR. CUSHION UNDER RUBBER (HOKUSHIN)	1	1	1		
4	11205-GBC-300	BUSH, MAINSTAND	1	1	1		
5	11205-GW3-980	BUSH, 8X12X6	1	1	1		
6	12361-035-000	CAP, TAPPET ADJUSTING HOLE ..	1	1	1		
7	15421-107-000	SCREEN, OIL FILTER	1	1	1		
	15421-KPL-900	1	1	1		
8	15426-KVB-900	SPRING, OIL FILTER SCREEN ...	1	1	1		
9	90032-KVB-900	BOLT B, STUD, 7X198.5	2	2	2		
10	90474-333-000	WASHER, SEALING, 8MM	2	2	2		
11	91002-KVY-901	BEARING, RADIAL BALL, 6007 (FUJIKOSHI)	1	1	1		
	91002-KZL-A01	BEARING, RADIAL BALL, 6007 (SKF)	1	1	1		
12	91202-KJ9-003	OIL SEAL, 20X32X6	1	1	1		
13	91202-KVB-901	OIL SEAL, 20.8X52X6X7.5	1	1	1		
14	91302-001-020	O-RING, 30.8MM	1	1	1		
15	94520-52150	CIRCLIP, INTERNAL, 52MM	1	1	1		
16	95701-08012-00	BOLT, FLANGE, 8X12	2	2	2		
17	96100-63010-00	BEARING, RADIAL BALL, 6301 ..	1	1	1		
18	96100-63020-00	BEARING, RADIAL BALL, 6302 ..	1	1	1		



Ref. No.	L.O.N.	(Relative ref. Number) Description	F.R.T.
1	1101B5	CRANKSHAFTINCLUDES: Engine removal and installation (2,4,5)	4.3
3	111103	PISTON RING AND/OR PISTON(ONE)INCLUDES: Engine removal and installation	2.8

Ref. No.	Part No.	Description	Reqd. QTY			Serial No.	Parts catalogue code
			NSC110CS	D	E		
1	13000-KZL-A00	CRANKSHAFT COMP.	1	1	1		
2	13011-KVY-700	RING SET, PISTON(STD.) (RIKEN)	1	1	1		
	13012-KVY-700	RING SET, PISTON(STD.) (TEIKOKU)	1	1	1		
	13021-KVY-700	RING SET, PISTON(0.25) (RIKEN)	(1)	(1)	(1)		
	13022-KVY-700	RING SET, PISTON(0.25) (TEIKOKU)	(1)	(1)	(1)		
	13031-KVY-700	RING SET, PISTON(0.50) (RIKEN)	(1)	(1)	(1)		
	13032-KVY-700	RING SET, PISTON(0.50) (TEIKOKU)	(1)	(1)	(1)		
	13041-KVY-700	RING SET, PISTON(0.75) (RIKEN)	(1)	(1)	(1)		
	13042-KVY-700	RING SET, PISTON(0.75) (TEIKOKU)	(1)	(1)	(1)		
	13051-KVY-700	RING SET, PISTON(1.00) (RIKEN)	(1)	(1)	(1)		
	13052-KVY-700	RING SET, PISTON(1.00) (TEIKOKU)	(1)	(1)	(1)		
3	13101-KVY-900	PISTON(STD.)	1	1	1		
	13102-KVY-305	PISTON(0.25)	(1)	(1)	(1)		
	13103-KVY-305	PISTON(0.50)	(1)	(1)	(1)		
	13104-KVY-305	PISTON(0.75)	(1)	(1)	(1)		
	13105-KVY-305	PISTON(1.00)	(1)	(1)	(1)		
4	13111-087-000	PIN, PISTON	1	1	1		
5	13115-GN5-910	CLIP, PISTON PIN, 13MM	2	2	2		
6	90741-KVY-900	KEY, WOODRUFF	1	1	1		

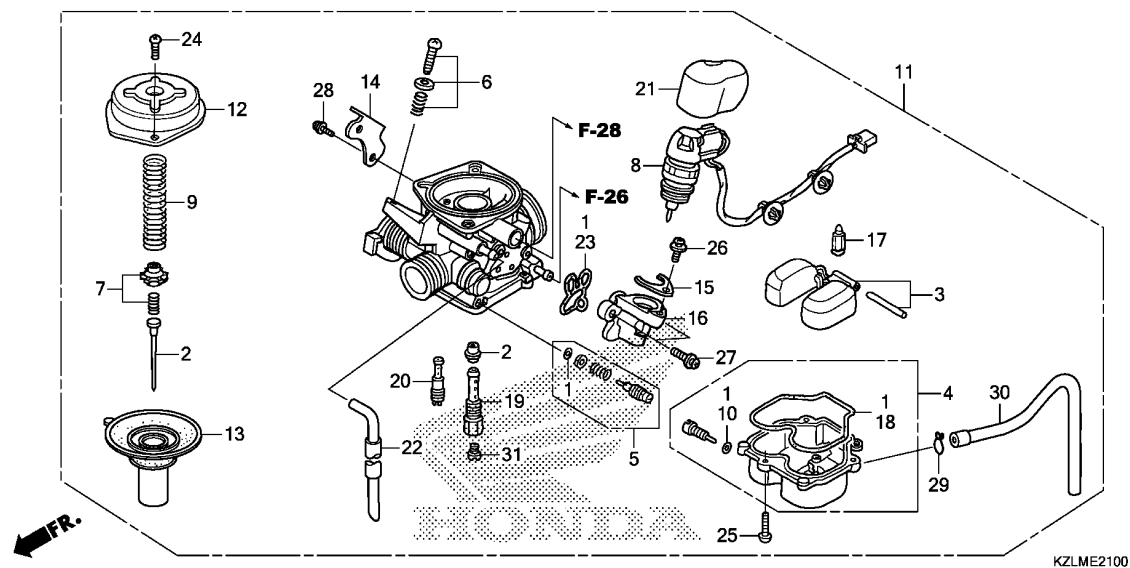




Ref. No.	L.O.N.	(Relative ref. Number) Description	F.R.T.
2	3111A3	NEEDLE, JET	1.2
3		(17)	
	311120	FLOAT OR FLOAT VALVE	1.0
4	3111A6	CHAMBER, FLOAT	0.9
8		(16,23)	
	3111B1	BYSTARTER, AUTO	1.0
11	3111B5	CARBURETOR ASSEMBLY	0.9
13	311109	PISTON, VACUUM	1.1
31		(19,20)	
	3111D4	JET, MAIN	1.0

KZLME2100

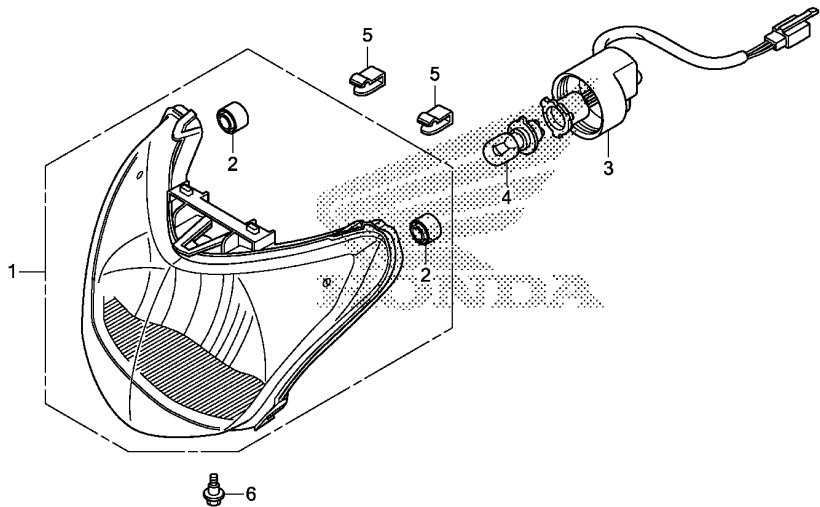
Ref. No.	Part No.	Description	Reqd. QTY			Serial No.	Parts catalogue code
			NSC110CS	D	E		
1	16010-KGF-911	GASKET SET	1	1	1		
2	16012-KZL-732	NEEDLE SET, JET	1	1	1		
3	16013-KRP-981	FLOAT SET	1	1	1		
4	16015-KVY-901	CHAMBER SET, FLOAT	1	1	1		
5	16016-KRP-981	SCREW SET A	1	1	1		
6	16028-KVB-901	SCREW SET B	1	1	1		
7	16037-KCW-000	PLATE SET, VALVE	1	1	1		
8	16046-KZL-A01	BYSTARTER ASSY., AUTO	1	1	1		
9	16050-KVY-901	SPRING, COMPRESSION COIL	1	1	1		
10	16075-GHB-640	O-RING, 1.3X4.3	1	1	1		
11	16100-KZL-732	CARBURETOR ASSY.(AVK2DA A)	1	1	1		
12	16107-GCC-000	TOP	1	1	1		
13	16111-KVB-902	PISTON COMP., VACUUM	1	1	1		
14	16119-KZL-A01	STAY, WIRE	1	1	1		
15	16131-ZW9-801	PLATE, SETTING	1	1	1		
16	16140-GFC-901	BODY COMP., BYSTARTER	1	1	1		
17	16155-KJ9-751	VALVE COMP., FLOAT	1	1	1		
18	16163-KGF-911	GASKET, FLOAT CHAMBER	1	1	1		
19	16165-KVB-901	HOLDER, NEEDLE JET	1	1	1		
20	16180-KGH-971	JET, SLOW, #35	1	1	1		
21	16190-GEE-003	CAP, HOLDER	1	1	1		
22	16199-KZL-A01	TUBE, AIR VENT	1	1	1		
23	16423-KGH-901	GASKET, BYSTARTER	1	1	1		
24	93500-04008-1H	SCREW, PAN, 4X8	2	2	2		
25	93500-04012-0H	SCREW, PAN, 4X12	3	3	3		



Ref. No.	Part No.	Description	Reqd. QTY			Serial No.	Parts catalogue code
			NSC	110CS	G		
26	93892-04008-18	SCREW-WASHER, 4X8	1	1	1		
27	93892-05012-18	SCREW-WASHER, 5X12	2	2	2		
28	93892-05014-18	SCREW-WASHER, 5X14	1	1	1		
29	95002-02089	CLIP, TUBE(B8)	1	1	1		
30	95005-45240-50	TUBE, 4.5X240(95005-45001-50M)	1	1	1		
31	99101-KTB-0980	JET, MAIN, #98	1	1	1		

F-1

HEADLIGHT(NSC110CSD/E)



KZLMF0100

Ref. No.	L.O.N.	(Relative ref. Number) Description	F.R.T.
1	6161A7	HEADLIGHT UNIT	0.3
3	6161B1	SOCKET, HEADLIGHT	0.2
4	616118	BULB, HEADLIGHT	0.2

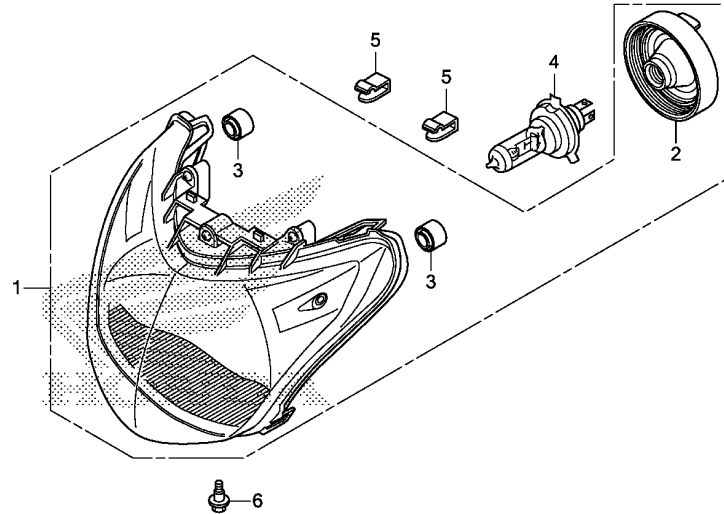
3

Ref. No.	Part No.	Description	Reqd. QTY			Serial No.	Parts catalogue code
			NSC110CS				
			D	E	G		
1	33101-KZL-A01	HEADLIGHT UNIT	1	1	-		
2	33113-KWR-003	PIPE, CP	2	2	-		
3	33130-KZL-A01	SOCKET COMP., HEADLIGHT	1	1	-		
4	34901-KPH-901	BULB, HEADLIGHT(12V 30/30W)	1	1	-		
5	53209-GAH-000	CLIP, HEADLIGHT	2	2	-		
6	90101-KZL-930	BOLT, ADJUSTING	1	1	-		

F-1-1

HEADLIGHT(NSC110CSG)

F 2

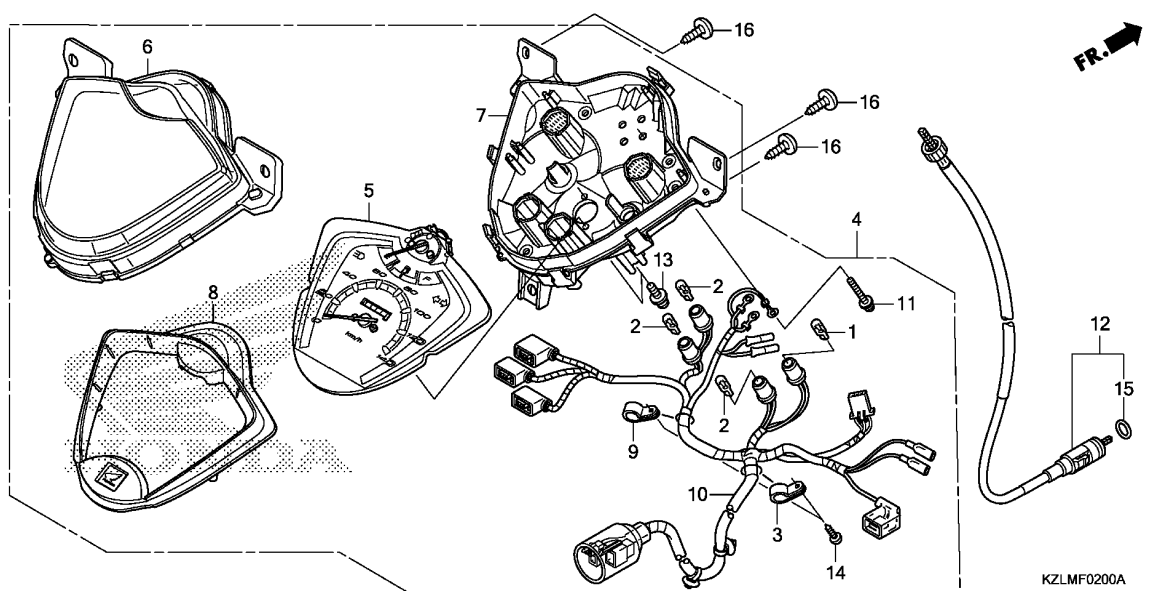


KZLMF0101

Ref. No.	L.O.N.	(Relative ref. Number) Description	F.R.T.
1	6161A7	HEADLIGHT UNIT	0.3
4		(2)	
	616118	BULB, HEADLIGHT	0.2

Ref. No.	Part No.	Description	Reqd. QTY			Serial No.	Parts catalogue code
			NSC110CS	D	E		
1	33101-KZL-841	HEADLIGHT UNIT	-	-	1		
2	33102-KZL-841	COVER, RUBBER	-	-	1		
3	33113-KWR-003	PIPE, CP	-	-	2		
4	34901-KZL-841	BULB, HEADLIGHT(12V 35/35W) ..	-	-	1		
5	53209-GAH-000	CLIP, HEADLIGHT	-	-	2		
6	90101-KZL-930	BOLT, ADJUSTING	-	-	1		

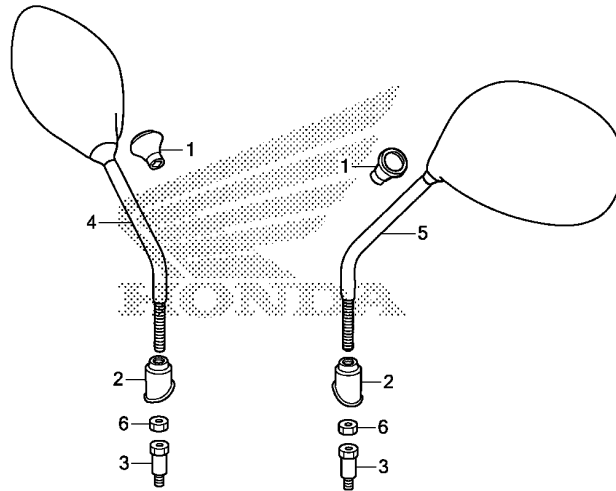
3



Ref. No.	L.O.N.	(Relative ref. Number) Description	F.R.T.
1		(2)	
	6161G3	BULB, METERNOTE: Same time for two units or more	0.2
4	8121A1	METER ASSY., COMBINATION	1.0
5	8121A2	METER, COMBINATION	0.7
6	8121B7	LENS, METER	0.6
7	8121B3	CASE, METER	0.6
8	4131A3	PLATE, REFLECTING	0.6
10	6161G4	SOCKET ASSY., METER BULB	1.0
12	811160	CABLE, SPEEDOMETER	0.4

3

Ref. No.	Part No.	Description	Reqd. QTY			Serial No.	Parts catalogue code
			NSC110CS	D	E		
1	34908-GA7-701	BULB, WEDGE BASE(T10) (12V 3.4W)(NIPPON SEIKI) (TURN)	1	1	1		
	34909-KVR-600	BULB, WEDGE BASE(T10) (12V 3.4W)(TOSHIBA) (TURN)	1	1	1		
2	34908-KVE-900	BULB, WEDGE BASE(T10) (12V 1.7W)(TOSHIBA)	3	3	3		
	34908-MB9-871	BULB, WEDGE BASE(T10) (12V 1.7W)(STANLEY)	3	3	3		
3	37121-ML7-671	CLAMP	1	1	1		
4	37200-KZL-A01	METER ASSY., COMBINATION	1	1	-		
	37200-K39-M21	-	-	1		
5	37210-KZL-A01	SPEEDOMETER COMP.	1	1	1		
6	37211-KZL-931	LENS	1	1	1		
7	37212-KZL-A01	CASE ASSY.	1	1	1		
8	37214-KZL-931	REFLECTING ASSY., PLATE	1	1	1		
9	37215-KS3-901	CLAMP	1	1	1		
10	37224-KZL-A01	SOCKET COMP., HEADLIGHT	1	1	-		
	37224-K39-M21	SOCKET ASSY., HEADLIGHT	-	-	1		
11	37305-KE5-008	SCREW-WASHER, 3X22	3	3	3		
12	44830-KVY-721	CABLE COMP., SPEEDOMETER	1	1	1		
13	90035-166-008	SCREW-WASHER, SPECIAL, 4X10	2	2	2		
14	90109-MZ5-008	SCREW, TAPPING, 4X14	2	2	2		
15	91256-KK3-840	O-RING, 10X1.5	1	1	1		
16	93903-35320	SCREW, TAPPING, 5X16	3	3	3		



KZLMF0300

Ref. L.O.N. (Relative ref. Number) F.R.T.
No. Description

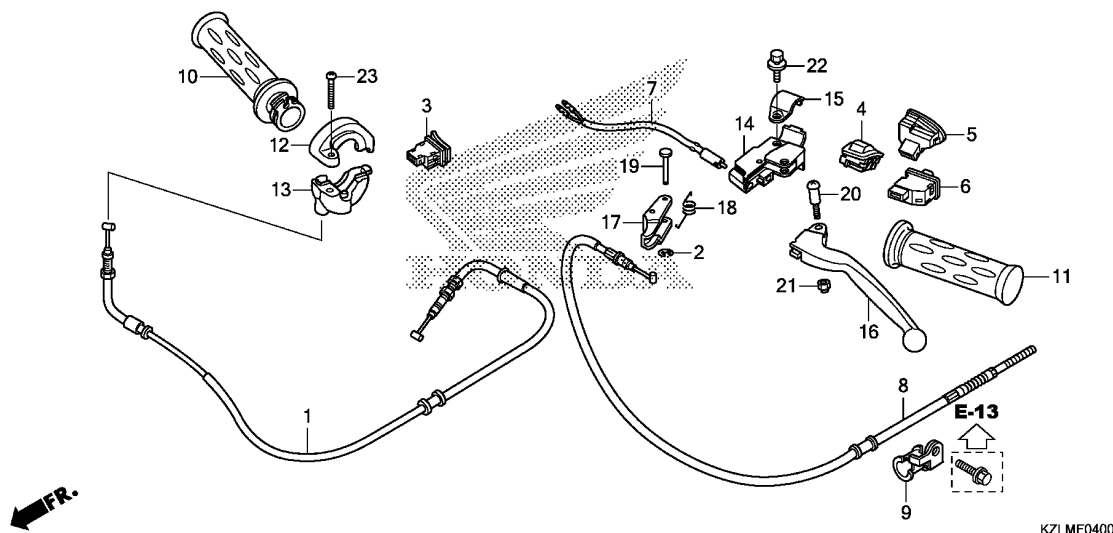
NO INFORMATION

Ref. No.	Part No.	Description	Reqd. QTY			Serial No.	Parts catalogue code
			NSC110CS	D	E		
1	88113-GCC-J71	BOOT, MIRROR	2	2	2		
2	88114-KVB-900	CAP, LOCK NUT	2	2	2		
3	88115-KZL-930	BOLT, ADAPTER, 10MM	2	2	2		
4	88210-GFM-971	MIRROR COMP., R.	1	1	1		
5	88220-GFM-971	MIRROR COMP., L.	1	1	1		
6	90301-GFC-B41	NUT, LOCK(LEFT HAND THREAD) -	2	2	2		

F-4

HANDLE LEVER/SWITCH/CABLE

F 5



Ref. No.	L.O.N.	(Relative ref. Number) Description	F.R.T.
1	811100	CABLE, THROTTLE	1.1
3	615116	SWITCH, STARTER	0.3
4	615117	SWITCH, DIMMER	0.3
5	6151A3	SWITCH, HORN	0.3
6	615118	SWITCH, WINKER	0.3
7	6151B3	SWITCH, REAR STOP :LEVER SIDE	0.4
	6151B6	SWITCH, STOP :BOTH	0.5
8	811130	CABLE, REAR BRAKE	0.6
10	810150	GRIP, THROTTLE	0.4
11	8101C0	GRIP, HANDLE :LEFT	0.1
13	810155	HOUSING, THROTTLE	0.4
14	8101C8	BRACKET, HANDLE LEVER :LEFT ..	0.5
16	8101C6	LEVER, HANDLE :LEFT	0.3
	8101F5	LEVER, HANDLE :BOTH	0.4
17	810170	LEVER, PARKING LOCK	0.3

KZLMF0400

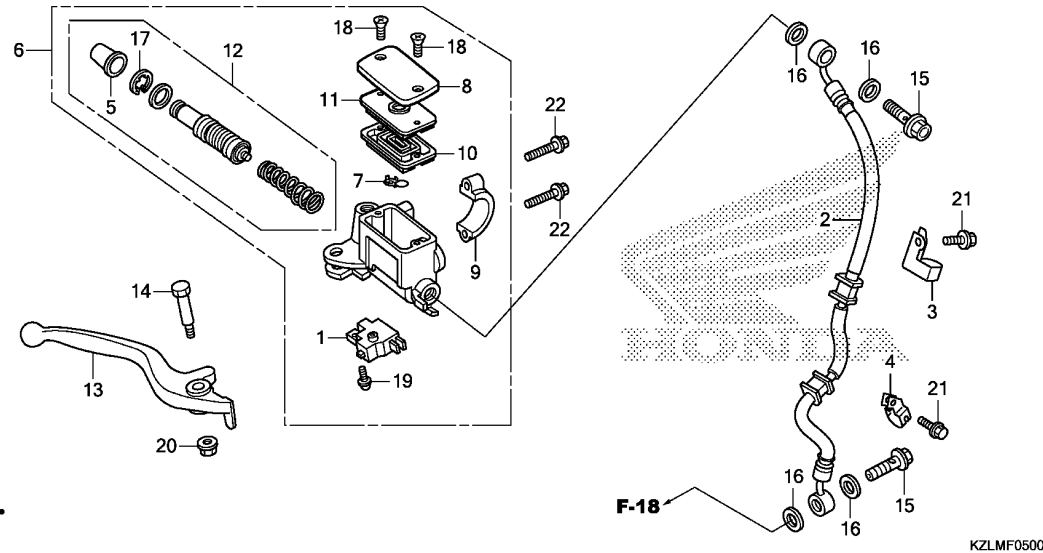
Ref. No.	Part No.	Description	Reqd. QTY			Serial No.	Parts catalogue code
			NSC110CS	D	E		
1	17910-KZL-730	CABLE COMP., THROTTLE	1	1	1		
2	30158-GW3-980	E-RING, 3MM	1	1	1		
3	35160-KWW-A01	SWITCH UNIT, STARTER	1	1	1		
4	35170-KWW-A02	SWITCH UNIT, DIMMER	1	1	1		
5	35180-KWW-A01	SWITCH UNIT, HORN	1	1	1		
6	35200-KWW-A01	SWITCH UNIT, WINKER	1	1	1		
7	35340-KPH-901	SWITCH ASSY., FR. STOP	1	1	1		
8	43450-KZL-941	CABLE COMP., RR. BRAKE	1	1	1		
9	43455-KZL-930	CLAMPER, RR. BRAKE CABLE	1	1	1		
10	53140-KVB-900	GRIP COMP., THROTTLE	1	1	1		
11	53166-KVB-900	GRIP, L. HANDLE	1	1	1		
12	53167-KFM-900	HOUSING, UPPER THROTTLE	1	1	1		
13	53168-KFM-900	HOUSING, UNDER THROTTLE	1	-	-		
	53168-KFM-902	-	1	1		
14	53172-KZL-940	BRACKET, L. HANDLE LEVER	1	1	1		
15	53173-GFM-970	BAND, HANDLE BRACKET	1	1	1		
16	53178-KZL-940	LEVER, L. STEERING HANDLE ...	1	1	1		
17	53181-KZL-940	LEVER COMP., BRAKE LOCK	1	1	1		
18	53182-KVB-900	SPRING, LEVER RETURN	1	1	1		
19	53183-KVB-900	PIN, PARKING LEVER PIVOT	1	1	1		
20	90116-GFM-900	SCREW, HANDLE LEVER PIVOT ...	1	1	1		
21	90302-KVB-T01	NUT, U, 5MM	1	1	1		
22	93401-06020-00	BOLT-WASHER, 6X20	1	1	1		
23	93500-05025-0A	SCREW, PAN, 5X25	1	1	1		

3

F-5

FRONT BRAKE MASTER CYLINDER

F 6



Ref. No.	L.O.N.	(Relative ref. Number) Description	F.R.T.
1	6151B2	SWITCH, FRONT STOP	0.3
	6151B6	SWITCH, STOP :BOTH	0.5
2	7121A0	HOSE, FRONT BRAKE	0.7
		.INCLUDES: Bleed brakes	
6	712105	CYLINDER, FRONT BRAKE MASTER .	0.5
		.INCLUDES: Bleed brakes	
10	7121G6	DIAPHRAGM, FRONT BRAKE MASTER	
		CYLINDER	0.2
12	7121G9	PISTON SET, FRONT BRAKE MASTER	
		.INCLUDES: Bleed brakes	0.5
13	8101C7	LEVER, HANDLE :RIGHT	0.3
	8101F5	LEVER, HANDLE :BOTH	0.4

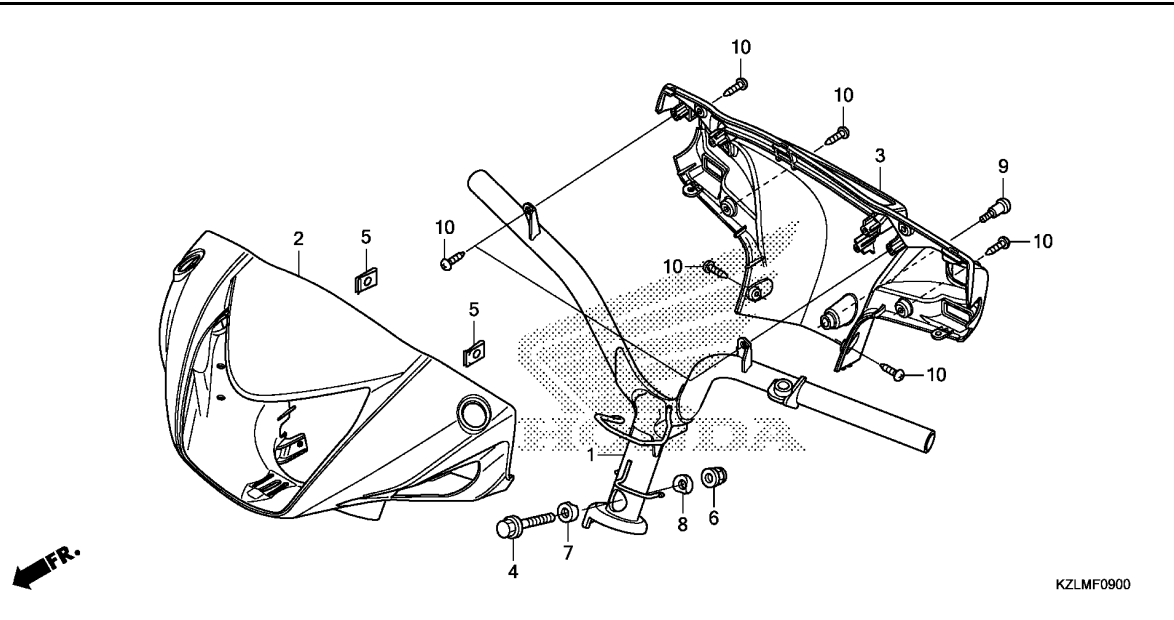
Ref. No.	Part No.	Description	Reqd. QTY			Serial No.	Parts catalogue code
			NSC110CS	D	E		
1	35340-KWB-601	SWITCH ASSY., FR. STOP	1	1	1		
2	45126-KZL-A01	HOSE COMP., FR. BRAKE	1	1	1		
3	45156-KZL-940	CLAMPER A, BRAKE HOSE	1	1	1		
4	45157-KZL-940	CLAMPER B, BRAKE HOSE	1	1	1		
5	45504-410-003	BOOT COMP.	1	1	1		
6	45510-KZL-A01	CYLINDER SUB ASSY., FR. MASTER	1	1	-		
	45510-KZL-A02	-	-	1		
7	45512-MA6-006	PROTECTOR	1	1	1		
8	45513-HA2-006	CAP, MASTER CYLINDER	1	1	1		
9	45517-GW0-751	HOLDER, MASTER CYLINDER	1	1	1		
10	45520-MG7-006	DIAPHRAGM	1	1	-		
	45520-GE2-006	-	-	1		
11	45521-HA2-006	PLATE, DIAPHRAGM	1	1	-		
	45521-K21-901	-	-	1		
12	45530-KVY-911	CYLINDER SET, MASTER	1	1	1		
13	53175-KRS-T80	LEVER, R. STEERING HANDLE ...	1	1	1		
14	90114-KGH-900	BOLT, HANDLE LEVER PIVOT	1	1	1		
15	90145-KPH-B30	BOLT, OIL, 10X22(NISSIN)	2	2	2		
16	90545-300-000	WASHER, OIL BOLT	4	4	4		
17	90651-MA5-671	CIRCLIP	1	1	1		
18	93600-04012-16	SCREW, FLAT, 4X12	2	2	2		
19	93893-04012-17	SCREW-WASHER, 4X12	1	1	1		
20	94050-06000	NUT, FLANGE, 6MM	1	1	1		
21	95701-06012-00	BOLT, FLANGE, 6X12	2	2	2		
22	96001-06022-00	BOLT, FLANGE, 6X22	2	2	2		



F-9

HANDLE PIPE/HANDLE COVER

F 7



Ref. No.	L.O.N.	(Relative ref. Number) Description	F.R.T.
1	810100	PIPE, STEERING HANDLE	1.3
2	4131B5	COVER, HANDLE :FRONT	0.3
3	4131B6	COVER, HANDLE :REAR	0.5
	4131U1	COVER, HANDLE :BOTH	0.6

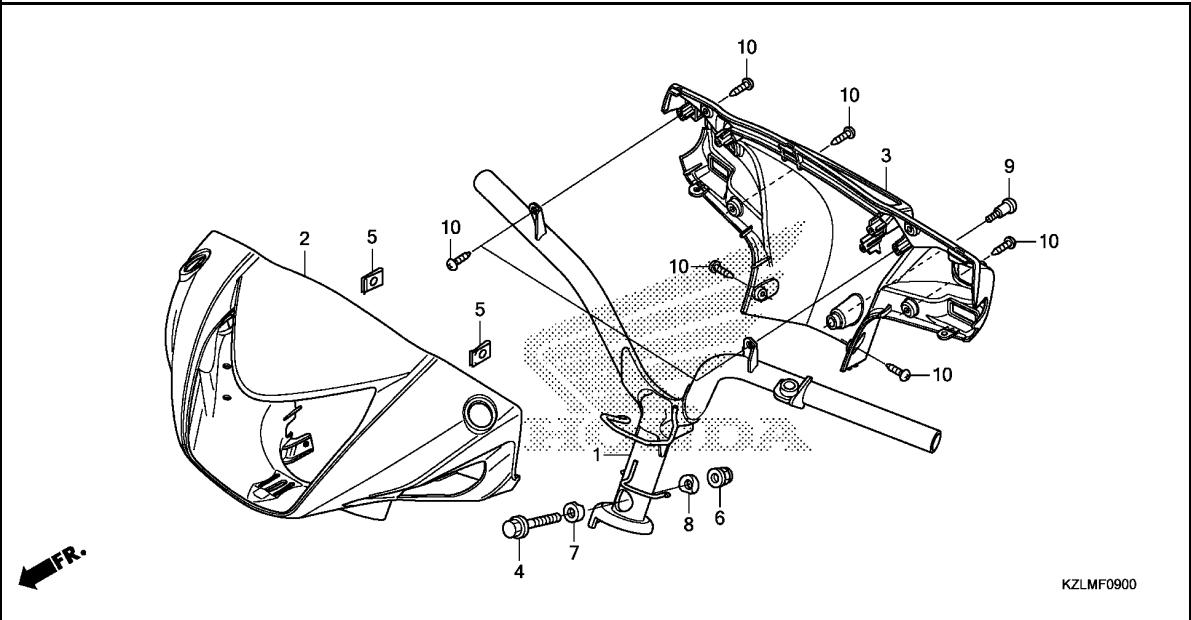
Ref. No.	Part No.	Description	Reqd. QTY			Serial No.	Parts catalogue code
			NSC110CS	D	E		
1	53100-KZL-730	PIPE COMP., STEERING HANDLE	1	1	1		
2	53205-KZL-A00ZP	COVER, FR. HANDLE					
		*NHA96P*PEARL METALLOID WHITE	1	1	-	-----	MA
	53205-KZL-A00ZN	*R339M*.EUPHORIA RED METALLIC	1	-	1	-----	MA
	53205-KZL-A00ZM	*YR308*.....LUMINOUS ORANGE	1	-	-	-----	
	53205-KZL-A00ZQ	*NHA69P* PEARL MAGELLANIC BLACK	1	-	-	-----	
			-	1	-	-----	2MA
	53205-KZL-A00ZR	*Y213M* EXTRAVAGANT GOLD METALLIC	-	1	-	-----	MA
	53205-KZL-A00ZS	*R331*.....VIVACITY RED	-	1	-	-----	MA
	53205-KZL-A00ZT	*B206M*...VITAL BLUE METALLIC	-	1	-	-----	MA
	53205-KZL-A00ZR	*Y213M* EXTRAVAGANT GOLD METALLIC	-	-	1	-----	2MA
	53205-KZL-A00ZS	*R331*.....VIVACITY RED	-	-	1	-----	2MA
	53205-KZL-A00ZT	*B206M*...VITAL BLUE METALLIC	-	-	1	-----	2MA
	53205-KZL-A00ZP	*NHA96P*PEARL METALLOID WHITE	-	-	1	-----	2MA,MA
	53205-KZL-A00ZQ	*NHA69P* PEARL MAGELLANIC BLACK	-	-	1	-----	3MA,MA
3	53206-KZL-730ZA	COVER, HANDLE RR.					
		NH1.....BLACK	1	1	-	-----	
			-	-	1	-----	2MA,3MA
	53206-KZL-730ZB	*YR321R*...MACCHIATO BEIGE R	-	-	1	-----	MA
4	90102-KZL-930	BOLT, FLANGE, 10X48	1	1	1		
5	90302-KWW-A00	NUT, SPRING, 4MM	2	2	2		
6	90304-KGH-901	NUT, U, 10MM	1	1	1		
7	90501-KPH-880	COLLAR A, HANDLE SETTING	1	1	1		
8	90505-KPH-880	COLLAR B, HANDLE SETTING	1	1	1		

3

F-9

HANDLE PIPE/HANDLE COVER

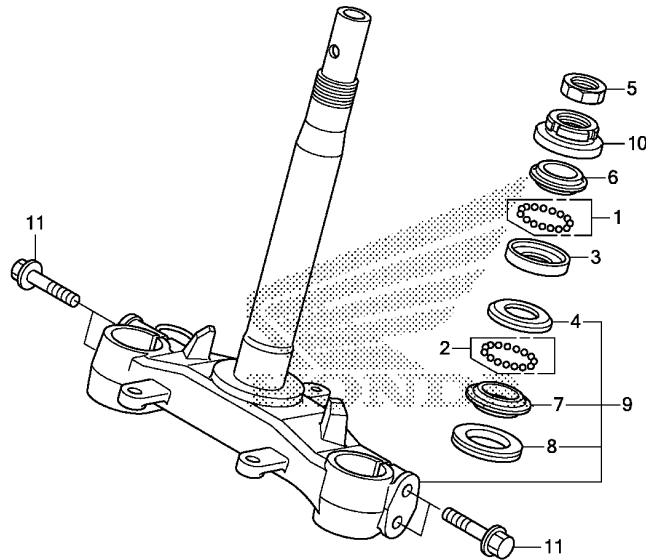
F 8



Ref. No.	Part No.	Description	Reqd. QTY			Serial No.	Parts catalogue code
			NSC110CS	D	E		

9	91422-GFM-970	SCREW, SPECIAL PAN, 5MM	1	1	1		
10	93903-34480	SCREW, TAPPING, 4X16	8	8	8		

3



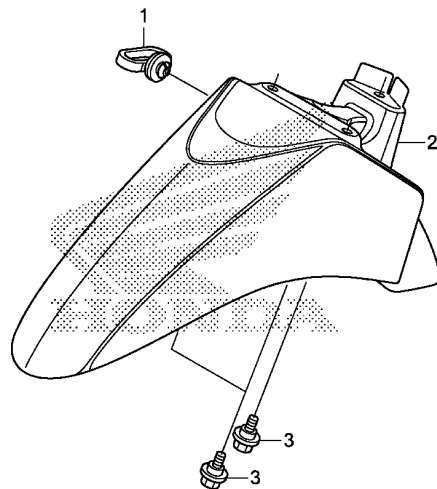
Ref. No.	L.O.N.	(Relative ref. Number) Description	F.R.T.
3		(1)	
5101A0		RACE, STEERING BALL :UPPER ...	2.1
4	5101A1	RACE, STEERING BALL :LOWER ...	2.3
	5101C9	RACE, STEERING BALL :BOTH	2.3
6	5101A9	RACE, STEERING TOP CONE	2.1
7		(2,8)	
	5101B0	RACE, STEERING BOTTOM CONE ...	2.3
9	510100	STEM OR SHAFT ASSY., STEERING	2.1
10	5101B2	THREAD, STEERING HEAD TOP	1.9

Ref. No.	Part No.	Description	Reqd. QTY			Serial No.	Parts catalogue code
			NSC110CS	D	E		
1	06530-GBG-B20	BALL SET, STEEL, #6X23	1	1	1		
2	06531-GBG-B20	BALL SET, STEEL, #6X29	1	1	1		
3	50301-GN5-901	RACE, STEERING TOP BALL	1	1	1		
	50301-KRS-830	-	-	1		
4	50302-GN5-900	RACE, STEERING BOTTOM BALL ..	1	1	1		
	50302-KRS-830	-	-	1		
5	50306-GN5-900	NUT, STEERING STEM LOCK	1	1	1		
6	53211-GN5-900	RACE, STEERING TOP CONE	1	1	1		
	53211-KRS-830	-	-	1		
7	53212-GN5-900	RACE, STEERING BOTTOM CONE ..	1	1	1		
	53212-KRS-830	-	-	1		
8	53214-GN5-900	DUST SEAL, STEERING HEAD	1	1	1		
9	53219-KZL-C00	STEM SUB ASSY., STEERING	1	1	-		
	53219-K39-M20	-	-	1		
10	53220-GN5-850	THREAD COMP., STEERING HEAD					
		TOP	1	1	1		
11	95801-10045-08	BOLT, FLANGE, 10X45	4	4	4		

F-11

FRONT FENDER

F10

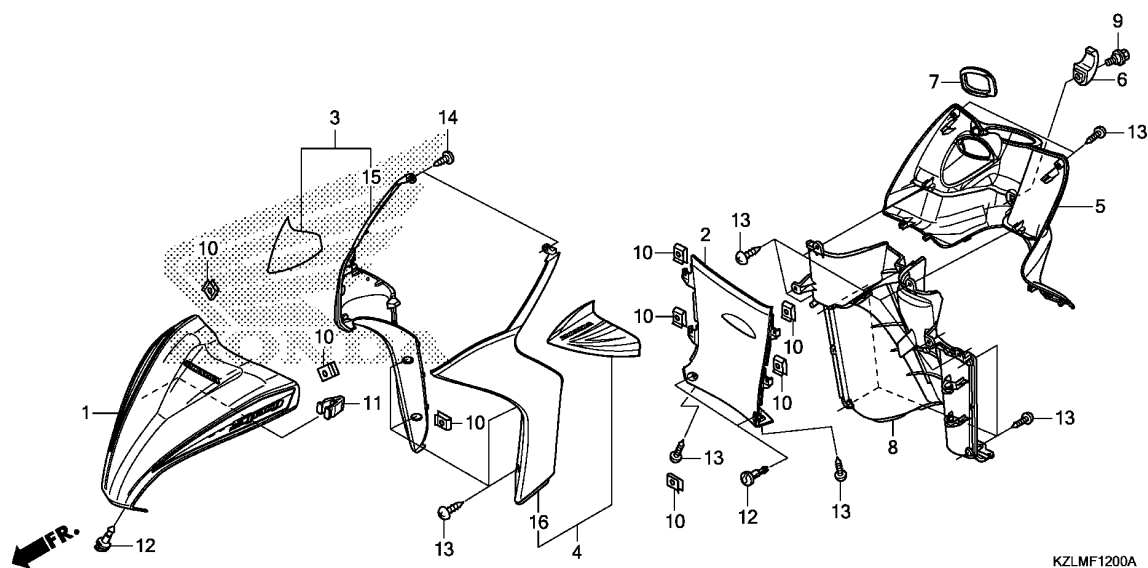


KZLMF1100

Ref. No.	L.O.N. (Relative ref. Number)	Description	F.R.T.
2	4131B7	FENDER, FRONT	0.3

Ref. No.	Part No.	Description	Reqd. QTY			Serial No.	Parts catalogue code
			D	E	G		
1	45451-471-000	GROMMET, WIRE	1	1	1		
2	61100-KZL-930YM	FENDER, FR.					
		*NHA96P*PEARL METALLOID WHITE	1	1	-	-----	MA
	61100-KZL-930YL	*R339M*.EUPHORIA RED METALLIC	1	-	1	-----	MA
	61100-KZL-930YH	*NHA69P*					
		PEARL MAGELLANIC BLACK	1	-	-		
	61100-KZL-930YK	*YR308*.....LUMINOUS ORANGE	1	-	-		
	61100-KZL-930YH	*NHA69P*					
		PEARL MAGELLANIC BLACK	-	1	-	-----	2MA
	61100-KZL-930A2	*Y213M*					
		EXTRAVAGANT GOLD METALLIC	-	1	-	-----	MA
	61100-KZL-930A3	*R331*.....VIVACITY RED	-	1	-	-----	MA
	61100-KZL-930YJ	*B206M*...VITAL BLUE METALLIC	-	1	-	-----	MA
	61100-KZL-930A2	*Y213M*					
		EXTRAVAGANT GOLD METALLIC	-	-	1	-----	2MA
	61100-KZL-930A3	*R331*.....VIVACITY RED	-	-	1	-----	2MA
	61100-KZL-930YJ	*B206M*...VITAL BLUE METALLIC	-	-	1	-----	2MA
	61100-KZL-930YM	*NHA96P*PEARL METALLOID WHITE	-	-	1	-----	2MA,MA
	61100-KZL-930YH	*NHA69P*					
		PEARL MAGELLANIC BLACK	-	-	1	-----	3MA,MA
3	90111-KZL-A00	BOLT, SPECIAL, 6MM	3	3	3		

3



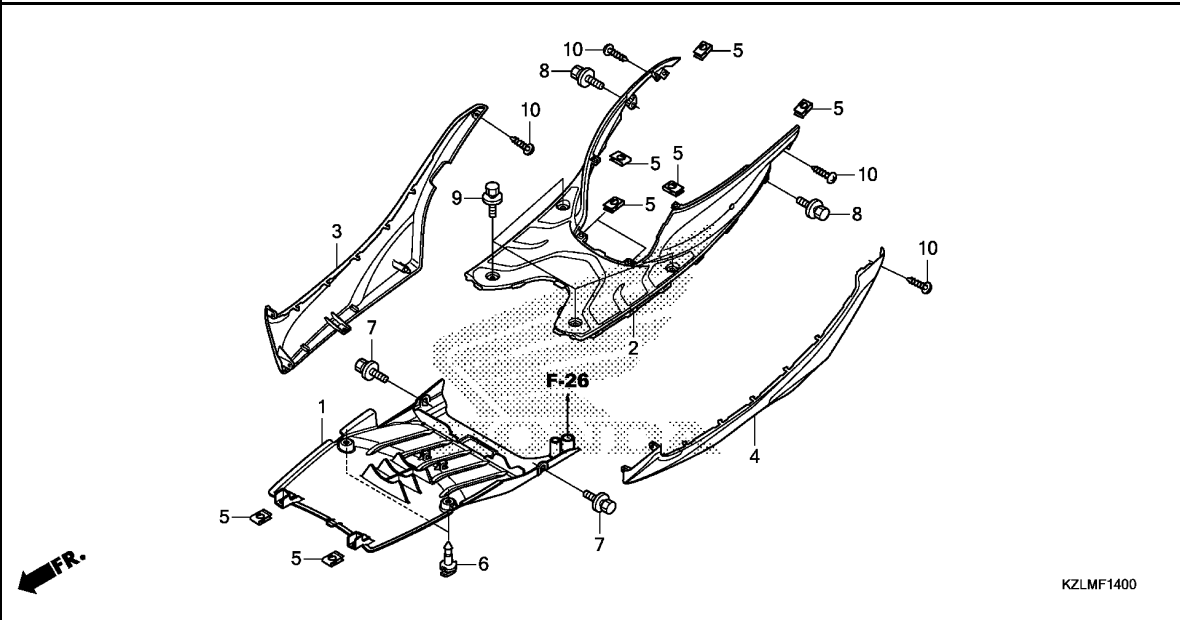
Ref. No.	L.O.N.	(Relative ref. Number) Description	F.R.T.
1	4111E3	COVER, FRONT	0.1
2	413130	COVER, FRONT LOWER	0.3
3		(15)	
4	4111U8	COVER, FRONT :RIGHT	0.3
		(16)	
	4111U7	COVER, FRONT :LEFT	0.3
	4111U9	COVER, FRONT :BOTH	0.4
5	4111H5	PANEL, INNER :UPPER	0.6
8	4111H6	PANEL, INNER :LOWER	0.6
	4111E6	PANEL, INNER :BOTH	0.6

3

Ref. No.	Part No.	Description	Reqd. QTY			Serial No.	Parts catalogue code
			NSC110CS	D	E		
1	64300-KZL-730ZA	COVER SET, FR. (WL)	1	-	-		
	64300-KZL-730ZC	*TYPE4*	1	-	-		
	64300-KZL-730ZD	*TYPE2*	1	-	-		
	64300-KZL-730ZE	*TYPE1*	1	-	-		
	64300-KZL-730ZE	*TYPE3 1*	1	-	-		
	64300-K39-M10ZA	*TYPE1*	-	1	-	-----	2MA
	64300-K39-M00ZA	*TYPE4*	-	1	-	-----	MA
	64300-K39-M00ZB	*TYPE3*	-	1	-	-----	MA
	64300-K39-M00ZC	*TYPE2*	-	1	-	-----	MA
	64300-K39-M00ZD	*TYPE1*	-	1	-	-----	MA
	64300-K39-M00ZA	*TYPE4*	-	-	1	-----	2MA
	64300-K39-M00ZB	*TYPE3*	-	-	1	-----	2MA
	64300-K39-M00ZC	*TYPE2*	-	-	1	-----	2MA
	64300-K39-M00ZD	*TYPE1*	-	-	1	-----	2MA
	64300-K39-M10ZA	*TYPE1*	-	-	1	-----	3MA
	64300-K39-M20ZA	*TYPE3*	-	-	1	-----	MA
	64300-K39-M20ZB	*TYPE2*	-	-	1	-----	MA
	64300-K39-M20ZC	*TYPE1*	-	-	1	-----	MA
2	64308-KZL-930ZA	COVER, FR. LOWER	1	1	1		
		NH1.....BLACK					
3	64350-KZL-730ZA	COVER SET, R. FR. SIDE(WL)	1	-	-		
	64350-KZL-730ZC	*TYPE4*	1	-	-		
	64350-KZL-730ZD	*TYPE2*	1	-	-		
	64350-KZL-730ZE	*TYPE1*	1	-	-		
	64350-KZL-730ZE	*TYPE3 1*	1	-	-		
	64350-K39-M10ZA	*TYPE1*	-	1	-	-----	2MA
	64350-K39-M00ZA	*TYPE4*	-	1	-	-----	MA
	64350-K39-M00ZB	*TYPE3*	-	1	-	-----	MA
	64350-K39-M00ZC	*TYPE2*	-	1	-	-----	MA

Ref. No.	Part No.	Description	Reqd. QTY			Serial No.	Parts catalogue code
			D	E	G		
(3)	64350-K39-M00ZD	COVER SET, R. FR. SIDE(WL)					
		TYPE1	-	1	-	-----	MA
	64350-K39-M00ZA	*TYPE4*	-	-	1	-----	2MA
	64350-K39-M00ZB	*TYPE3*	-	-	1	-----	2MA
	64350-K39-M00ZC	*TYPE2*	-	-	1	-----	2MA
	64350-K39-M00ZD	*TYPE1*	-	-	1	-----	2MA
	64350-K39-M10ZA	*TYPE1*	-	-	1	-----	3MA
4	64450-KZL-730ZA	COVER SET, L. FR. SIDE(WL)					
		TYPE4	1	-	-		
	64450-KZL-730ZC	*TYPE2*	1	-	-		
	64450-KZL-730ZD	*TYPE1*	1	-	-		
	64450-KZL-730ZE	*TYPE3 1*	1	-	-		
	64450-K39-M10ZA	*TYPE1*	-	1	-	-----	2MA
	64450-K39-M00ZA	*TYPE4*	-	1	-	-----	MA
	64450-K39-M00ZB	*TYPE3*	-	1	-	-----	MA
	64450-K39-M00ZC	*TYPE2*	-	1	-	-----	MA
	64450-K39-M00ZD	*TYPE1*	-	1	-	-----	MA
	64450-K39-M00ZA	*TYPE4*	-	-	1	-----	2MA
	64450-K39-M00ZB	*TYPE3*	-	-	1	-----	2MA
	64450-K39-M00ZC	*TYPE2*	-	-	1	-----	2MA
	64450-K39-M00ZD	*TYPE1*	-	-	1	-----	2MA
	64450-K39-M10ZA	*TYPE1*	-	-	1	-----	3MA
5	81131-KZL-A00ZA	COVER, INNER UPPER					
		NH1.....BLACK	1	1	-		
			-	-	1	-----	2MA,3MA
	81131-KZL-E00ZD	*NHA69P*					
		PEARL MAGELLANIC BLACK	-	-	1	-----	MA
	81131-KZL-E00ZJ	*R339M*.EUPHORIA RED METALLIC	-	-	1	-----	MA
	81131-KZL-E00ZK	*NHA96P*.PEARL METALLOID WHITE	-	-	1	-----	MA
6	81132-GAH-000ZW	HOOK, LUGGAGE					
		NH1.....BLACK	1	1	1		
7	81133-KZL-A00	COVER, COMBINATION SWITCH ...	1	1	1		
8	81141-KZL-930ZA	COVER, INNER LOWER					
		NH1.....BLACK	1	1	-		
			-	-	1	-----	2MA,3MA
	81141-KZL-930ZD	*YR321R*....MACCHIATO BEIGE R	-	-	1	-----	MA
9	90107-KVB-900	BOLT, SPECIAL, 6MM	1	1	1		
10	90302-KWW-A00	NUT, SPRING, 4MM	8	8	8		
11	90666-SDA-A01	CLIP, SNAP FITTING(PO)					
		(NATURAL)	2	2	2		
12	90683-GAZ-003	CLIP, TRIM	3	3	-		
	90683-GAZ-980	3	3	-		
	90683-GFC-T11	-	-	3		
13	93903-34480	SCREW, TAPPING, 4X16	19	19	19		
14	93903-35220	SCREW, TAPPING, 5X12	2	2	2		
15	64301-KZL-930YD	COVER, R. FR. SIDE					
		R339M.EUPHORIA RED METALLIC	-	-	1	-----	MA
	64301-KZL-930YE	*NHA96P*.PEARL METALLOID WHITE	-	-	1	-----	MA
	64301-KZL-930ZY	*NHA69P*					
		PEARL MAGELLANIC BLACK	-	-	1	-----	MA
16	64401-KZL-930YD	COVER, L. FR. SIDE					
		R339M.EUPHORIA RED METALLIC	-	-	1	-----	MA
	64401-KZL-930YE	*NHA96P*.PEARL METALLOID WHITE	-	-	1	-----	MA
	64401-KZL-930ZY	*NHA69P*					
		PEARL MAGELLANIC BLACK	-	-	1	-----	MA



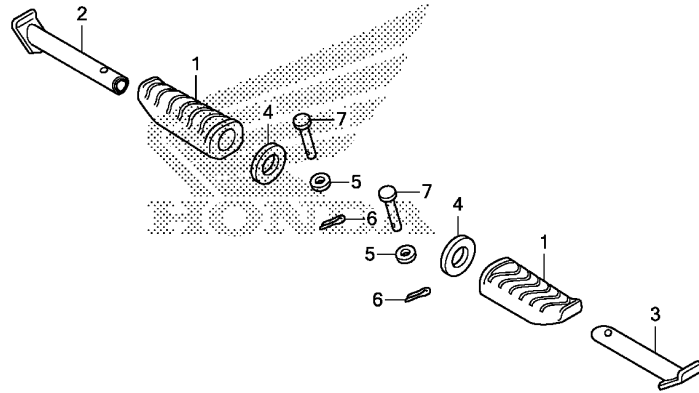


Ref. No.	L.O.N.	(Relative ref. Number) Description	F.R.T.
1	4131B4	COVER, UNDER	0.2
2	4131D2	STEP, FLOOR	0.7
3	4131J6	COVER, FLOOR SIDE :RIGHT	0.1
4	4131J5	COVER, FLOOR SIDE :LEFT	0.1
	4131X0	COVER, FLOOR SIDE :BOTH	0.2

Ref. No.	Part No.	Description	Reqd. QTY			Serial No.	Parts catalogue code
			NSC110CS	D	E		
1	50611-KZL-C00ZB	COVER, UNDER *NH1*.....BLACK	1	1	1		
2	64310-KZL-A00ZA	STEP, FLOOR *NH1*.....BLACK	1	1	-		
	64310-KZL-A00ZB	*YR321R*....MACCHIATO BEIGE R	-	-	1	-----	2MA,3MA
3	83520-KZL-930ZA	COVER, R. FLOOR SIDE *NH1*.....BLACK	1	1	-		
	83520-KZL-E00ZD	*NHA69P* PEARL MAGELLANIC BLACK	-	-	1	-----	2MA,3MA
	83520-KZL-E00ZJ	*R339M*.EUPHORIA RED METALLIC	-	-	1	-----	MA
	83520-KZL-E00ZK	*NHA96P*PEARL METALLOID WHITE	-	-	1	-----	MA
4	83620-KZL-930ZA	COVER, L. FLOOR SIDE *NH1*.....BLACK	1	1	-		
	83620-KZL-E00ZD	*NHA69P* PEARL MAGELLANIC BLACK	-	-	1	-----	2MA,3MA
	83620-KZL-E00ZJ	*R339M*.EUPHORIA RED METALLIC	-	-	1	-----	MA
	83620-KZL-E00ZK	*NHA96P*PEARL METALLOID WHITE	-	-	1	-----	MA
5	90302-KWW-A00	NUT, SPRING, 4MM	8	8	8		
6	90683-GAZ-003	CLIP, TRIM	2	2	-		
	90683-GAZ-980	2	2	-		
	90683-GFC-T11	-	-	2		
7	93401-06012-08	BOLT-WASHER, 6X12	2	2	2		
8	93404-06012-00	BOLT-WASHER, 6X12	2	2	2		
9	93404-06020-07	BOLT-WASHER, 6X20	4	4	4		
10	93903-34480	SCREW, TAPPING, 4X16	4	4	4		

F-14-10

PILLION STEP

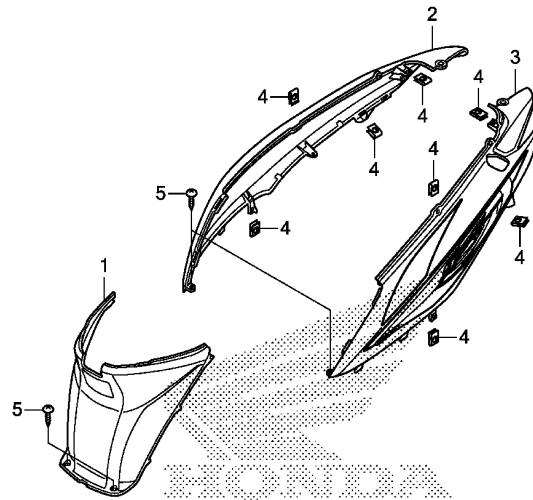


KZLMF1410

Ref. No.	L.O.N.	(Relative ref. Number) Description	F.R.T.
2	(1)		
4101C8	BAR, PILLION STEP :RIGHT	0.1
3	(1)		
4101C7	BAR, PILLION STEP :LEFT	0.1
4101P4	BAR, PILLION STEP :BOTH	0.2

Ref. No.	Part No.	Description	Reqd. QTY			Serial No.	Parts catalogue code
			D	E	G		
1	50710-KWB-600	RUBBER, PILLION STEP	2	2	2		
2	50711-KBP-900	BAR, R. PILLION STEP	1	1	1		
3	50712-KBP-900	BAR, L. PILLION STEP	1	1	1		
4	50715-KE8-000	PLATE, PILLION STEP SIDE	2	2	2		
5	94101-06000	WASHER, PLAIN, 6MM	2	2	2		
6	94201-16150	PIN, SPLIT, 1.6X15	2	2	2		
7	95015-81000	PIN A, PILLION STEP	2	2	2		



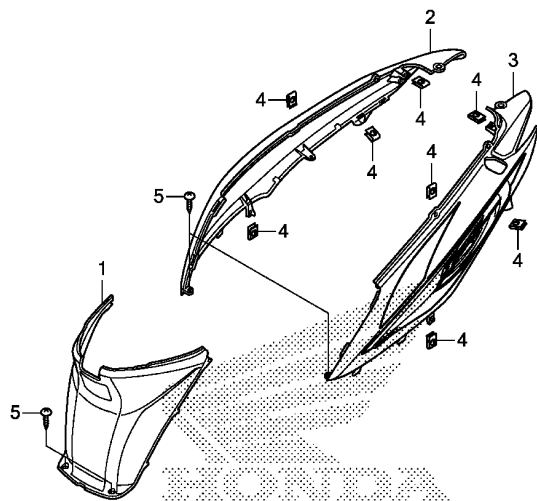


KZLMF1500

Ref. No.	L.O.N.	(Relative ref. Number) Description	F.R.T.
1	4131R6	COVER, BODY :CENTER	0.1
2	4131J0	COVER, BODY :RIGHT	0.7
3	4131H9	COVER, BODY :LEFT	0.7
	4131J1	COVER, BODY :BOTH	0.7

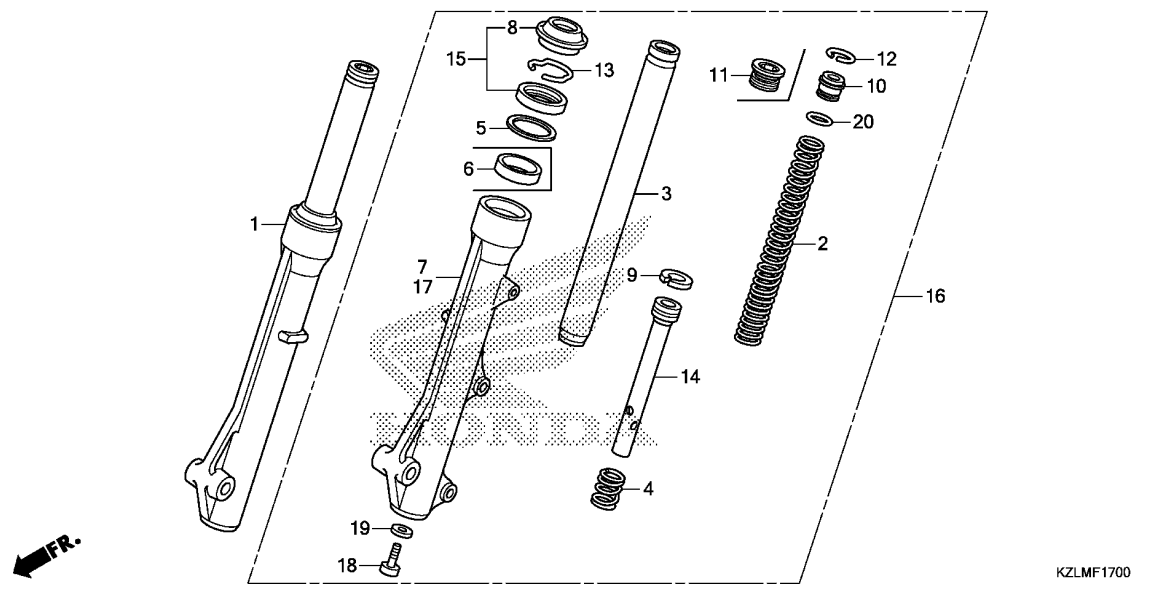
3

Ref. No.	Part No.	Description	Reqd. QTY			Serial No.	Parts catalogue code
			NSC110CS	D	E G		
1	80151-KZL-930ZA	COVER, CENTER *NH1*.....BLACK	1	1	-		
	80151-KZL-930ZE	*YR321R*....MACCHIATO BEIGE R	-	-	1	-----	2MA,3MA
2	83505-KZL-730ZA	COVER SET, R. BODY(WL)			1	-----	MA
		TYPE4.....	1	-	-		
	83505-KZL-730ZC	*TYPE2*.....	1	-	-		
	83505-KZL-730ZD	*TYPE1*.....	1	-	-		
	83505-KZL-730ZE	*TYPE3 1*.....	1	-	-		
	83505-K39-M10ZA	*TYPE1*.....	-	1	-	-----	2MA
	83505-K39-M00ZA	*TYPE4*.....	-	1	-	-----	MA
	83505-K39-M00ZB	*TYPE3*.....	-	1	-	-----	MA
	83505-K39-M00ZC	*TYPE2*.....	-	1	-	-----	MA
	83505-K39-M00ZD	*TYPE1*.....	-	1	-	-----	MA
	83505-K39-M00ZA	*TYPE4*.....	-	-	1	-----	2MA
	83505-K39-M00ZB	*TYPE3*.....	-	-	1	-----	2MA
	83505-K39-M00ZC	*TYPE2*.....	-	-	1	-----	2MA
	83505-K39-M00ZD	*TYPE1*.....	-	-	1	-----	2MA
	83505-K39-M10ZA	*TYPE1*.....	-	-	1	-----	3MA
	83505-K39-M20ZA	*TYPE3*.....	-	-	1	-----	MA
	83505-K39-M20ZB	*TYPE2*.....	-	-	1	-----	MA
	83505-K39-M20ZC	*TYPE1*.....	-	-	1	-----	MA
3	83605-KZL-730ZA	COVER SET, L. BODY(WL)			1	-----	
		TYPE4.....	1	-	-		
	83605-KZL-730ZB	*TYPE3*.....	1	-	-		
	83605-KZL-730ZC	*TYPE2*.....	1	-	-		
	83605-KZL-730ZE	*TYPE1 1*.....	1	-	-		
	83605-K39-M10ZA	*TYPE1*.....	-	1	-	-----	2MA
	83605-K39-M00ZA	*TYPE4*.....	-	1	-	-----	MA



KZLMF1500

Ref. No.	Part No.	Description	Reqd. QTY			Serial No.	Parts catalogue code
			NSC	110CS	G		
			D	E	G		
(3)	83605-K39-M00ZB	COVER SET, L. BODY(WL)					
		TYPE3	-	1	-	-----	MA
	83605-K39-M00ZC	*TYPE2*	-	1	-	-----	MA
	83605-K39-M00ZD	*TYPE1*	-	1	-	-----	MA
	83605-K39-M00ZA	*TYPE4*	-	-	1	-----	2MA
	83605-K39-M00ZB	*TYPE3*	-	-	1	-----	2MA
	83605-K39-M00ZC	*TYPE2*	-	-	1	-----	2MA
	83605-K39-M00ZD	*TYPE1*	-	-	1	-----	2MA
	83605-K39-M10ZA	*TYPE1*	-	-	1	-----	3MA
	83605-K39-M20ZA	*TYPE3*	-	-	1	-----	MA
	83605-K39-M20ZB	*TYPE2*	-	-	1	-----	MA
	83605-K39-M20ZC	*TYPE1*	-	-	1	-----	MA
4	90302-KWW-A00	NUT, SPRING, 4MM	8	8	8		
5	93903-34480	SCREW, TAPPING, 4X16	4	4	4		



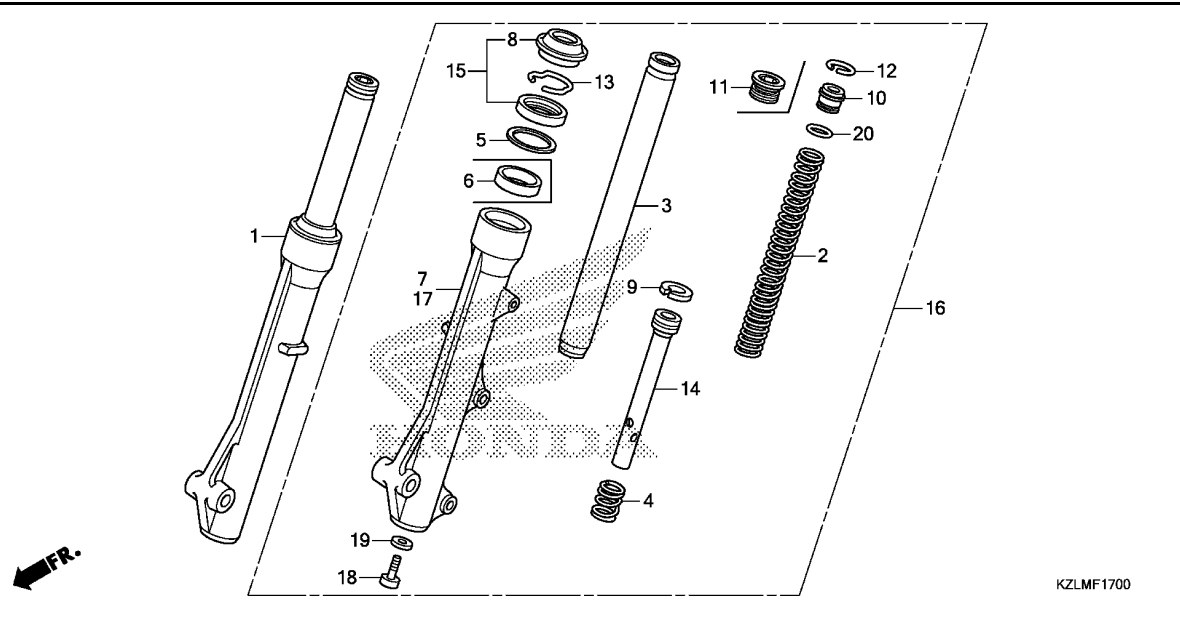
Ref. No.	L.O.N.	(Relative ref. Number) Description	F.R.T.
1	5111C3	FORK ASSY., FRONT :RIGHT	0.4
2	5111C5	SPRING, FRONT FORK :LEFT	0.6
	5111C6	SPRING, FRONT FORK :RIGHT	0.6
	5111C7	SPRING, FRONT FORK :BOTH	0.9
3		(4,9,14)	
	5111G2	PIPE, FRONT FORK :LEFT	0.8
	5111G3	PIPE, FRONT FORK :RIGHT	0.8
	5111G4	PIPE, FRONT FORK :BOTH	1.3
7		(6)	
	5111D2	CASE, BOTTOM :RIGHT	0.9
15	5111E7	SEAL SET, FRONT FORK :LEFT ...	0.9
	5111E8	SEAL SET, FRONT FORK :RIGHT ..	0.9
	5111E9	SEAL SET, FRONT FORK :BOTH ...	1.5
16	5111C2	FORK ASSY., FRONT :LEFT	0.4
	5111C4	FORK ASSY., FRONT :BOTH	0.5
17		(6)	
	5111D1	CASE, BOTTOM :LEFT	0.9
	5111D3	CASE, BOTTOM :BOTH	1.5

KZLMF1700

Ref. No.	Part No.	Description	Reqd. QTY			Serial No.	Parts catalogue code
			NSC110CS	D	E		
1	51400-KZL-732	FORK ASSY., R. FR. (CHUANNAN ABSORBER)	1	-	-		
	51400-KZR-701	FORK ASSY., R. FR.(SHOWA) ...	1	-	-		
	51400-KZL-732	FORK ASSY., R. FR. (CHUANNAN ABSORBER)	-	1	-	-----	2MA
	51400-KZR-701	FORK ASSY., R. FR.(SHOWA) ...	-	1	-	-----	2MA
	51400-K16-911	-	1	-	-----	MA
	51400-K39-M01	FORK ASSY., R. FR. (CHUANNAN ABSORBER)	-	1	-	-----	MA
	51400-K16-911	FORK ASSY., R. FR.(SHOWA) ...	-	-	1	-----	2MA
	51400-K39-M01	FORK ASSY., R. FR. (CHUANNAN ABSORBER)	-	-	1	-----	2MA
	51400-KZL-732	-	-	1	-----	3MA,MA
	51400-KZR-701	FORK ASSY., R. FR.(SHOWA) ...	-	-	1	-----	3MA,MA
2	51401-KZL-732	SPRING, FR. FORK (CHUANNAN ABSORBER)	2	2	2		
	51401-KZR-701 (SHOWA)	2	2	2		
3	51410-KWW-641	PIPE COMP., FR. FORK(SHOWA) -	2	2	2		
	51410-KWW-662	PIPE COMP., FR. FORK (CHUANNAN ABSORBER)	2	2	2		
4	51412-GN5-901	SPRING, REBOUND(SHOWA)	2	2	2		
	51412-KWW-662	SPRING, REBOUND (CHUANNAN ABSORBER)	2	2	2		
5	51412-KWB-601	RING, BACK UP	2	2	2		
	51413-KWW-662	RING, BACK UP (CHUANNAN ABSORBER)	2	2	2		

Ref. No.	Part No.	Description	Reqd. QTY			Serial No.	Parts catalogue code
			D	E	G		
6	51414-KWW-662	BUSH, GUIDE(CHUANNAN ABSORBER)	2	2	2		
7	51420-KZL-732	CASE, R. BOTTOM	1	-	-		
	51420-KZL-E01	(CHUANNAN ABSORBER) CASE COMP., R. BOTTOM	1	-	-		
	51420-KZL-732	(SHOWA) CASE, R. BOTTOM	1	-	-		
	51420-KZL-E01	(CHUANNAN ABSORBER) CASE COMP., R. BOTTOM	-	1	-	-----	2MA
	51420-K16-911	(SHOWA) CASE COMP., R. FR. BOTTOM	-	1	-	-----	2MA
	51420-K39-M01	(SHOWA) CASE, R. FR. BOTTOM	-	1	-	-----	MA
	51420-K39-M01	CASE, R. BOTTOM	-	1	-	-----	MA
	51420-K16-911	(CHUANNAN ABSORBER) CASE COMP., R. FR. BOTTOM	-	1	-	-----	MA
	51420-K39-M01	(SHOWA) CASE, R. FR. BOTTOM	-	-	1	-----	2MA
	51420-K39-M01	CASE, R. BOTTOM	-	-	1	-----	2MA
	51420-KZL-732	(CHUANNAN ABSORBER) CASE, R. BOTTOM	-	-	1	-----	3MA,MA
	51420-KZL-E01	(CHUANNAN ABSORBER) CASE COMP., R. BOTTOM	-	-	1	-----	3MA,MA
	51420-KZL-E01	(SHOWA) CASE COMP., R. BOTTOM	-	-	1	-----	3MA,MA
8	51425-GN5-901	SEAL, DUST(SHOWA)	2	2	2		
	51425-KWW-662	SEAL, DUST(CHUANNAN ABSORBER)	2	2	2		
9	51437-KWB-601	RING, PISTON	2	2	2		
	51437-KWB-601	(SHOWA) RING, PISTON	2	2	2		
	51437-KWW-662	(CHUANNAN ABSORBER) RING, PISTON	2	2	2		
10	51454-KEV-881	SEAT B, SPRING	2	2	2		
	51454-KEV-881	(SHOWA) SEAT B, SPRING	2	2	2		
11	51454-KWW-662	BOLT, FR. FORK	2	2	2		
	51454-KWW-662	(CHUANNAN ABSORBER) BOLT, FR. FORK	2	2	2		
12	51456-KPH-901	RING, STOPPER	2	2	2		
	51456-KPH-901	(SHOWA) RING, STOPPER	2	2	2		
13	51466-065-901	RING, OIL SEAL STOPPER(SHOWA)	2	2	2		
	51466-KWW-662	RING, OIL SEAL STOPPER	2	2	2		
	51466-KWW-662	(CHUANNAN ABSORBER) RING, OIL SEAL STOPPER	2	2	2		
14	51470-KZL-732	PIPE, SEAT	2	2	2		
	51470-KZL-732	(CHUANNAN ABSORBER) PIPE, SEAT	2	2	2		
	51470-KZR-701 PIPE, SEAT	2	2	2		
	51470-KZR-701	(SHOWA) PIPE, SEAT	2	2	2		
15	51490-KGH-901	SEAL SET, FR. FORK(SHOWA) ...	2	2	2		
	51490-KWW-662	SEAL SET, FR. FORK	2	2	2		
	51490-KWW-662	(CHUANNAN ABSORBER) SEAL SET, FR. FORK	2	2	2		
16	51500-KZL-732	FORK ASSY., L. FR.	1	-	-		
	51500-KZL-732	(CHUANNAN ABSORBER) FORK ASSY., L. FR.	1	-	-		
	51500-KZR-701	(SHOWA) ... FORK ASSY., L. FR.	1	-	-		
	51500-KZL-732	FORK ASSY., L. FR.	-	1	-	-----	2MA
	51500-KZL-732	(CHUANNAN ABSORBER) FORK ASSY., L. FR.	-	1	-	-----	2MA
	51500-KZR-701	(SHOWA) ... FORK ASSY., L. FR.	-	1	-	-----	2MA
	51500-K16-911 FORK ASSY., L. FR.	-	1	-	-----	MA
	51500-K39-M01	FORK ASSY., L. FR.	-	1	-	-----	MA
	51500-K39-M01	(CHUANNAN ABSORBER) FORK ASSY., L. FR.	-	1	-	-----	MA
	51500-K16-911	(SHOWA) ... FORK ASSY., L. FR.	-	-	1	-----	2MA
	51500-K39-M01	FORK ASSY., L. FR.	-	-	1	-----	2MA
	51500-K39-M01	(CHUANNAN ABSORBER) FORK ASSY., L. FR.	-	-	1	-----	2MA
	51500-KZL-732 FORK ASSY., L. FR.	-	-	1	-----	3MA,MA

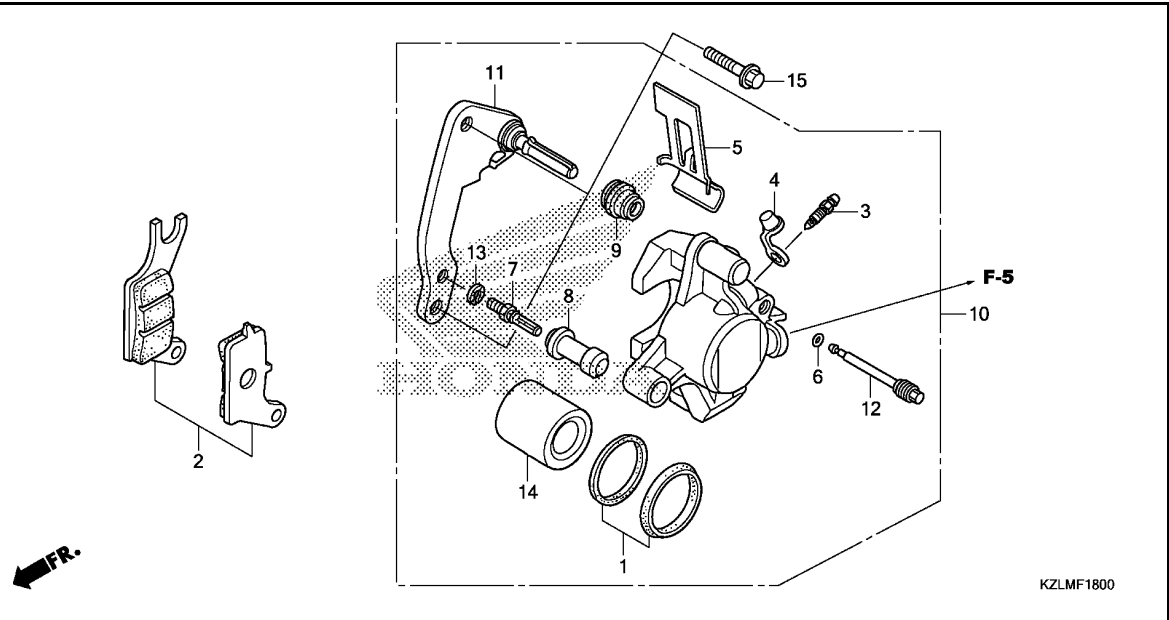




KZLMF1700

3

Ref. No.	Part No.	Description	Reqd. QTY			Serial No.	Parts catalogue code
			NSC110CS	D	E		
16)	51500-KZR-701	FORK ASSY., L. FR. (SHOWA)	-	-	1	-----	3MA,MA
17	51520-KZL-732	CASE, L. BOTTOM (CHUANNAN ABSORBER)	1	-	-		
	51520-KZL-E01	CASE COMP., L. BOTTOM (SHOWA)	1	-	-		
	51520-KZL-732	CASE, L. BOTTOM (CHUANNAN ABSORBER)	-	1	-	-----	2MA
	51520-KZL-E01	CASE COMP., L. BOTTOM (SHOWA)	-	1	-	-----	2MA
	51520-K16-911	CASE COMP., L. FR. BOTTOM (SHOWA)	-	1	-	-----	MA
	51520-K39-M01	CASE, L. BOTTOM (CHUANNAN ABSORBER)	-	1	-	-----	MA
	51520-K16-911	CASE COMP., L. FR. BOTTOM (SHOWA)	-	-	1	-----	2MA
	51520-K39-M01	CASE, L. BOTTOM (CHUANNAN ABSORBER)	-	-	1	-----	2MA
	51520-KZL-732	CASE, L. BOTTOM (CHUANNAN ABSORBER)	-	-	1	-----	3MA,MA
	51520-KZL-E01	CASE COMP., L. BOTTOM (SHOWA)	-	-	1	-----	3MA,MA
18	90116-KV3-701	BOLT, SOCKET, 8MM (SHOWA)	2	2	2		
	90116-KWW-662	BOLT, SOCKET, 8MM (CHUANNAN ABSORBER)	2	2	2		
19	90544-283-000	WASHER, SPECIAL, 8MM (SHOWA) -	2	2	2		
	90544-KRF-H71	WASHER, SPECIAL, 8MM (CHUANNAN ABSORBER)	2	2	2		
20	91356-GMO-003	O-RING, 15.8X2.4 (SHOWA)	2	2	2		
	91356-KWW-662	O-RING, 15.8X2.85 (CHUANNAN ABSORBER)	2	2	2		



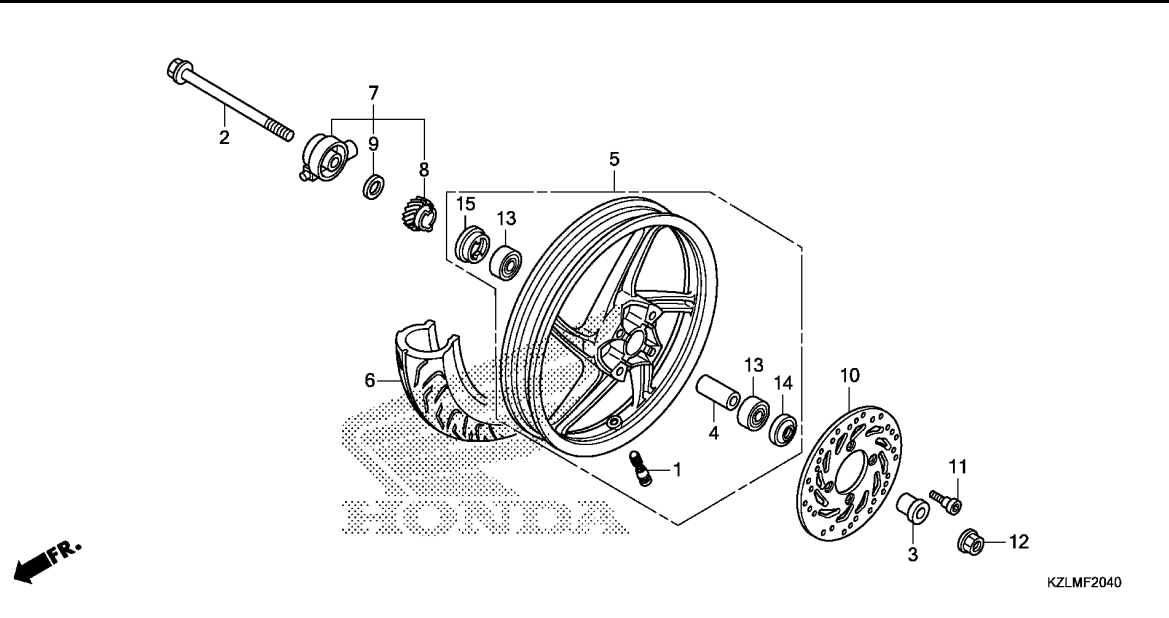
Ref. No.	L.O.N.	(Relative ref. Number) Description	F.R.T.
2	711115	SHOE(PAD) SET, BRAKE :FRONT ..	0.1
10	711130	CALIPER, FRONT BRAKEINCLUDES: Bleed brakes	0.6
11	7111G0	BRACKET, FRONT CALIPER	0.2
14	7111D1	PISTON, FRONT BRAKE CALIPER .. .INCLUDES: Bleed brakes	0.7

Ref. No.	Part No.	Description	Reqd. QTY			Serial No.	Parts catalogue code
			NSC	110	CS		
			D	E	G		
1	06451-961-405	SEAL SET, PISTON	1	1	1		
2	06455-KVB-T01	PAD SET, FR. BRAKE	1	1	1		
3	43352-568-003	SCREW, BLEEDER(NISSIN)	1	1	1		
4	43353-461-771	CAP, BLEEDER	1	1	1		
5	45108-KVB-T01	SPRING, PAD	1	1	1		
6	45111-MAJ-G41	RING, STOPPER	1	1	1		
7	45131-GZ0-006	BOLT, PIN	1	1	1		
8	45132-166-016	BOOT, PIN BUSH(NISSIN)	1	1	1		
9	45133-MA3-006	BOOT B	1	1	1		
10	45150-KZL-A01	CALIPER SUB ASSY., L. FR. (NISSIN)	1	1	-		
	45150-KZL-A02	-	-	1		
11	45190-KZL-A01	BRACKET SUB ASSY., FR. CALIPER	1	1	1		
12	45215-KPH-951	PIN, HANGER	1	1	1		
13	45216-166-006	WASHER, WAVE	1	1	1		
14	45218-KWB-601	PISTON	1	1	1		
15	90131-KGH-900	BOLT, FLANGE, 8X25	2	2	2		

F-20-40

FRONT WHEEL

G 5

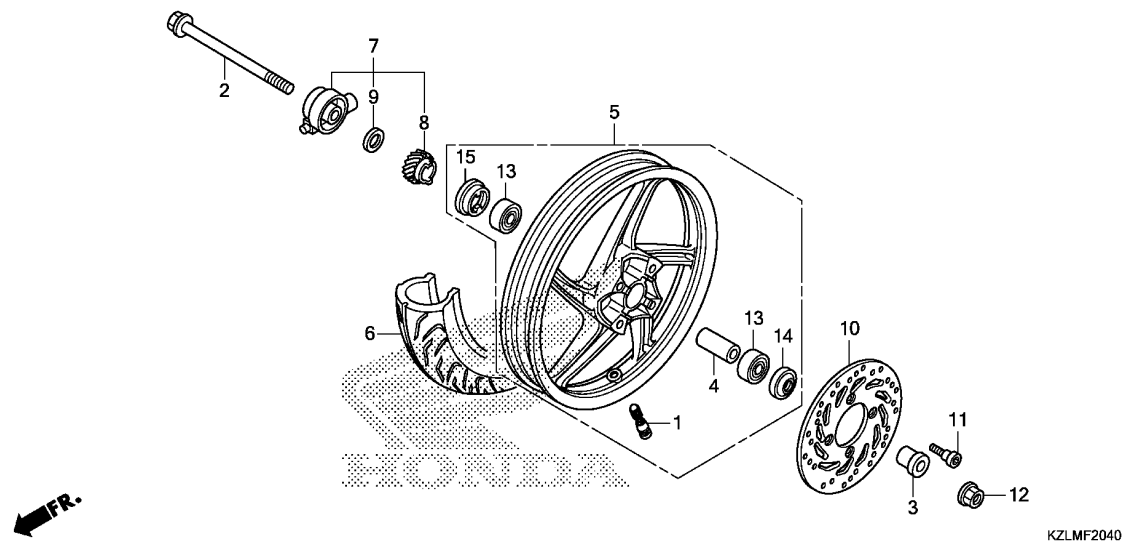


Ref. No.	L.O.N.	(Relative ref. Number) Description	F.R.T.
2		(14,15)	
710151		AXLE, FRONT WHEEL	0.2
7101D4		FRONT WHEEL	0.6
710139		FRONT TIRE(ONE)	0.5
710145		GEARBOX ASSY., SPEEDOMETER ...	0.2
711120		DISC, FRONT BRAKE	0.3
710115		BEARING, FRONT WHEEL(ONE)	0.4
710115G		.Replace 1 bearing add	0.1

KZLMF2040

Ref. No.	Part No.	Description	Reqd. QTY			Serial No.	Parts catalogue code
			NSC110CS	D	E		
1	42753-KBN-902	VALVE, RIM(CHENG SHIN)	1	1	1		
2	44301-KVG-950	AXLE, FR. WHEEL	1	1	1		
3	44311-KVB-910	COLLAR, FR. WHEEL SIDE	1	1	1		
4	44620-KVB-910	COLLAR, FR. DISTANCE	1	1	1		
5	44650-KZL-730ZA	WHEEL SUB ASSY., FR. *NH303M*	1	1	1		
	44650-KZL-730ZB	MAT AXIS GRAY METALLIC *YR112MU*	1	1	-	-----	MA
	44650-KZL-730ZA	SUPER GOLD METALLIC-U *NH303M*	-	1	-	-----	2MA
	44650-KZL-730ZB	MAT AXIS GRAY METALLIC *YR112MU*	-	-	1	-----	2MA
	44650-KZL-730ZB	SUPER GOLD METALLIC-U *YR112MU*	-	-	1	-----	3MA
	44650-KZL-730ZC	*NH364M*SHEEN SILVER METALLIC	-	-	1	-----	MA
6	44711-KZL-731	TIRE, FR.(CHENG SHIN) (80/90-14 M/C 40P)	1	1	1		
	44711-KZL-931	1	1	1		
7	44800-KVB-910	BOX ASSY., SPEEDOMETER GEAR -	1	1	1		
8	44806-KVB-911	GEAR, SPEEDOMETER(21T)	1	1	1		
9	44809-KFM-900	WASHER, SPEEDOMETER GEAR	1	1	1		
10	45351-KVB-931	DISK, FR. BRAKE(YUTAKA)	1	1	1		
	45351-KVB-961	DISK, FR. BRAKE(NISSIN)	1	1	1		
	45351-KVB-S01	DISK, FR. BRAKE(NHK PRECISION)	1	1	1		
	45351-KVB-S02	DISK, FR. BRAKE(SUNSTAR)	1	1	1		
11	90105-KGH-900	BOLT, BRAKE DISK, 8X24	4	4	4		
12	90306-KGH-901	NUT, U, 12MM(FUJI SEIMITSU) -	1	1	1		

3

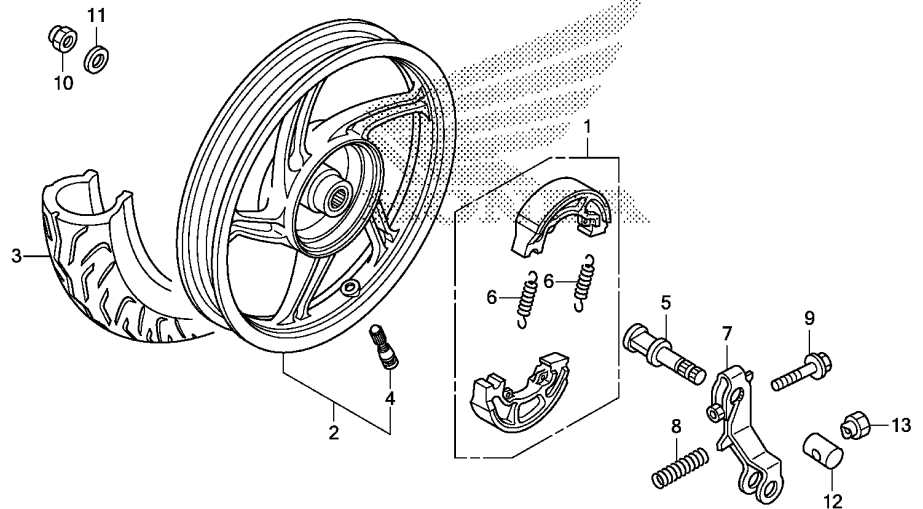


Ref. No.	Part No.	Description	Reqd. QTY			Serial No.	Parts catalogue code
			NSC	110CS	G		
13	91052-KVB-901	BEARING, RADIAL BALL, 6201U (FUJIKOSHI)	2	2	2		
	91052-KVB-S51	BEARING, RADIAL BALL, 6201U (NSK)	2	2	2		
	91052-KWB-601	BEARING, RADIAL BALL, 6201U (NTN)	2	2	2		
14	91251-KPH-901	DUST SEAL, 21X37X7(ARAI)	1	1	1		
15	91258-KM1-004	SEAL, SPEEDOMETER GEAR BOX (NOK)	1	1	1		

F-22-30

REAR WHEEL

G 7

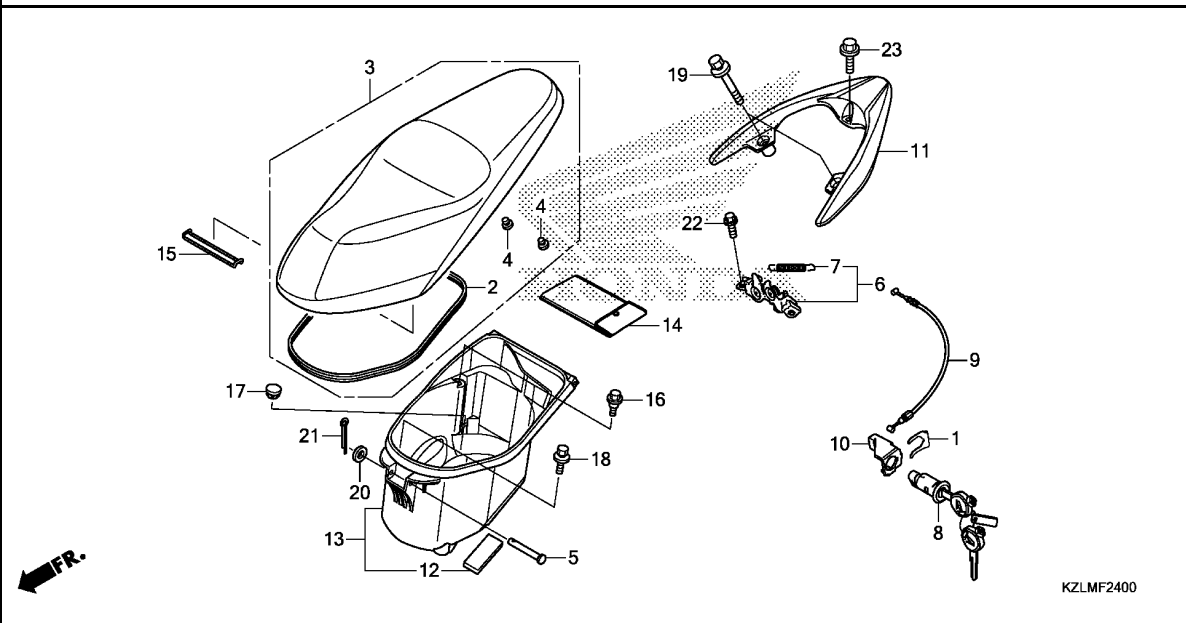


KZLMF2230

Ref. No.	L.O.N.	(Relative ref. Number) Description	F.R.T.
1	711140	SHOE(PAD) SET, BRAKE :REAR ...	0.4
2	710118	REAR WHEEL	0.6
3	710142	REAR TIRE(ONE)	0.6
5	7111B4	CAM, BRAKE :REAR	0.5
7	7111C4	ARM, BRAKE :REAR	0.5

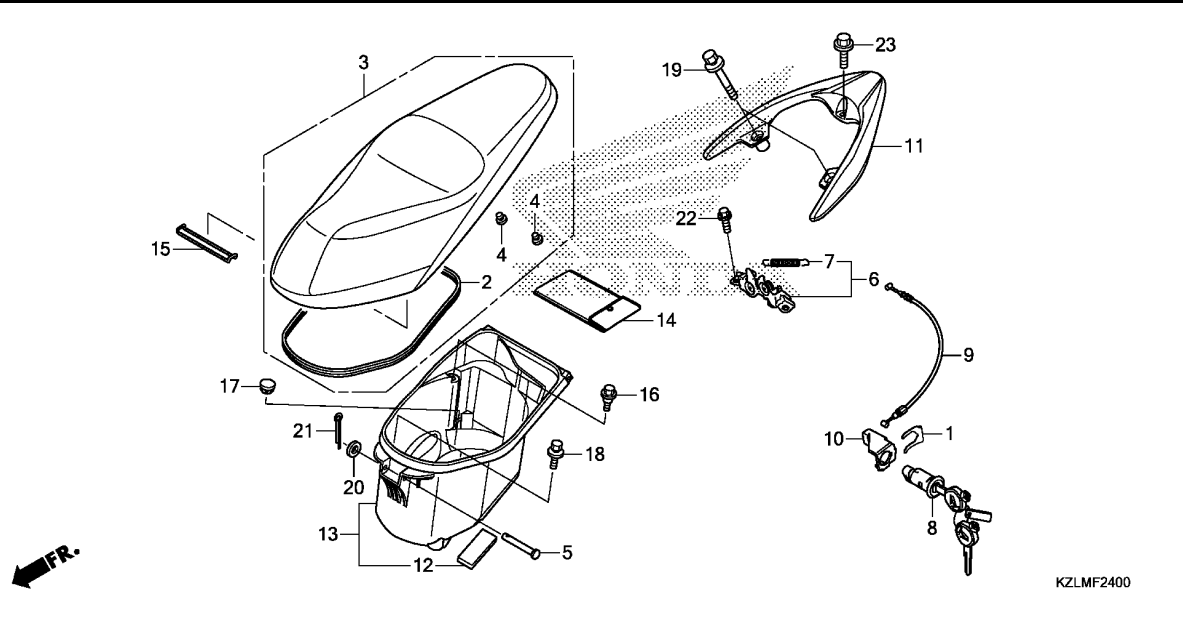
3

Ref. No.	Part No.	Description	Reqd. QTY			Serial No.	Parts catalogue code
			NSC110CS	D	E		
1	06430-KWN-900	SHOE SET, BRAKE(JB)	1	1	1		
	06430-KZL-930	SHOE SET, BRAKE(ASK)	1	1	1		
2	42650-KZL-930ZA	WHEEL SUB ASSY., RR. *NH303M*	1	1	1		
	42650-KZL-930ZD	MAT AXIS GRAY METALLIC *YR112MU*	1	1	-	-----	MA
	42650-KZL-930ZA	SUPER GOLD METALLIC-U *NH303M*	-	1	-	-----	2MA
	42650-KZL-930ZD	MAT AXIS GRAY METALLIC *YR112MU*	-	-	1	-----	2MA
	42650-KZL-930ZE	SUPER GOLD METALLIC-U *NH364M*SHEEN SILVER METALLIC	-	-	1	-----	3MA
3	42711-KZL-731	TIRE, RR.(CHENG SHIN) (90/90-14 M/C 46P)	1	1	1		
	42711-KZL-931	1	1	1		
4	42753-KBN-902	VALVE, RIM(CHENG SHIN)	1	1	1		
5	43141-KZL-940	CAM, RR. BRAKE	1	1	1		
6	43151-329-000	SPRING, BRAKE SHOE	2	2	2		
7	43410-KVB-900	ARM, RR. BRAKE	1	1	1		
8	43472-KVB-900	SPRING, RR. BRAKE ARM	1	1	1		
9	90112-KVB-900	BOLT, FLANGE, 6X32	1	1	1		
10	90305-KVB-901	NUT, U, 16MM	1	1	1		
11	90501-KBN-900	WASHER, 16MM	1	1	1		
12	95015-32001	JOINT B, BRAKE ARM	1	1	1		
13	95015-42000	NUT B, BRAKE ROD ADJUSTING ..	1	1	1		



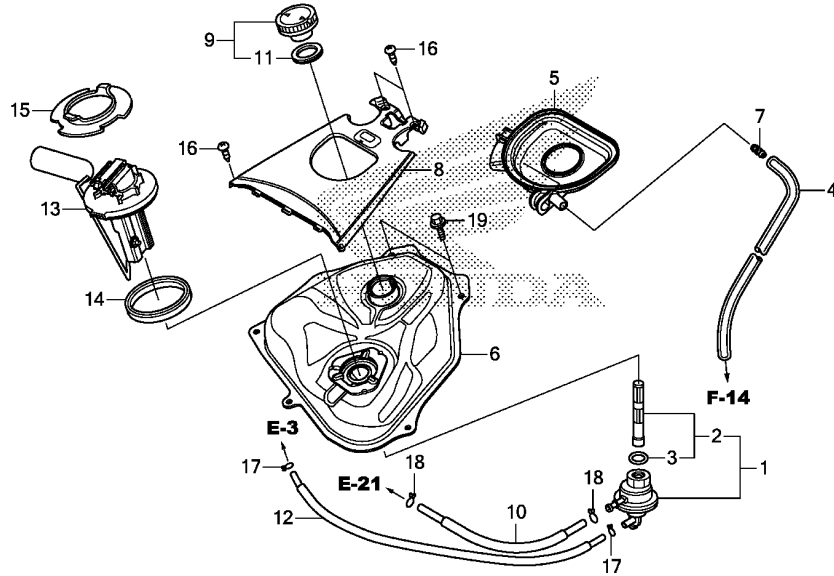
Ref. No.	L.O.N.	(Relative ref. Number) Description	F.R.T.
3	4131E4	SEAT :DOUBLE	0.2
6	4131E8	CATCH, SEAT :REAR SIDE	0.6
8	4131F2	KEY, SEAT LOCK	0.8
9	811175	CABLE, SEAT LOCK	0.8
11	4131F6	RAIL, GRAB :REAR	0.1
13	412102	BOX, LUGGAGE	0.2

Ref. No.	Part No.	Description	Reqd. QTY			Serial No.	Parts catalogue code
			NSC110CS	D	E		
1	75581-GN8-920	SPRING, LOCK KEY SETTING	1	1	1		
2	77115-KZL-930	RUBBER, SEAL	1	1	1		
3	77200-KZL-730	SEAT COMP., DOUBLE	1	1	-		
	77200-K39-M20	-	-	1	-----	2MA,3MA
4	77215-KW7-900	RUBBER C, SEAT SETTING	2	2	2		
5	77215-KZL-930	PIN, SEAT HINGE	1	1	1		
6	77230-KZL-930	CATCH COMP., SEAT	1	1	1		
7	77234-GN2-000	SPRING, SEAT LOCK	1	1	1		
8	77239-KZL-A01	KEY, SEAT LOCK	1	1	1		
9	77240-KZL-930	CABLE, SEAT LOCK	1	1	1		
10	77242-KZL-930	STAY, SEAT LOCK CABLE	1	1	1		
11	81200-KZL-A00ZB	GRIP, RR. *NH364M*SHEEN SILVER METALLIC	1	-	-		
			-	1	-	-----	2MA
	81200-KZL-A00ZF	*NH1*.....BLACK	-	1	-	-----	MA
			-	-	1	-----	2MA
	81200-KZL-A00ZB	*NH364M*SHEEN SILVER METALLIC	-	-	1	-----	3MA,MA
12	81251-KZL-930	MAT, LUGGAGE BOX	1	1	1		
13	81253-KZL-730	BOX ASSY., LUGGAGE	1	1	1		
14	83642-171-000	BAG, OWNERS MANUAL	1	1	1		
15	89012-KZL-930	BAND, TOOL	1	1	1		
16	90111-162-000	BOLT, FLANGE, 6MM	2	2	2		
17	90656-GCC-000ZC	PLUG, HOLE *NH1*.....BLACK	1	1	1		
18	93404-06010-00	BOLT-WASHER, 6X10	2	2	2		



Ref. No.	Part No.	Description	Reqd. QTY			Serial No.	Parts catalogue code
			NSC	110CS			
			D	E	G		

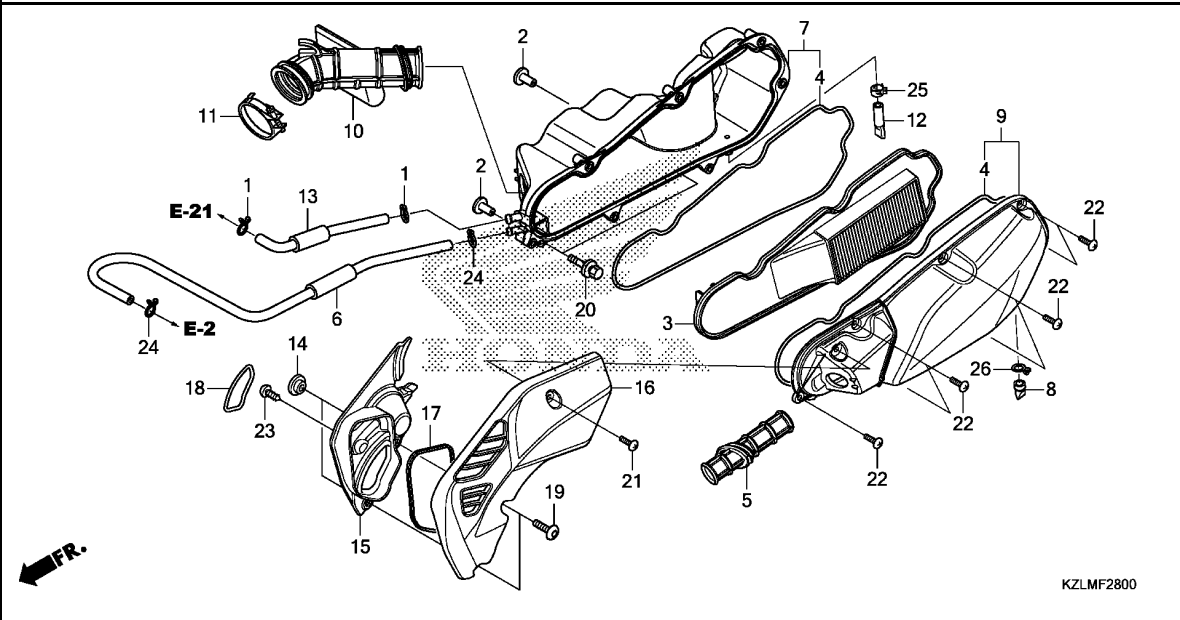
19	93406-08040-00	BOLT-WASHER, 8X40	2	2	2		
20	94101-08000	WASHER, PLAIN, 8MM	1	1	1		
21	94201-16180	PIN, SPLIT, 1.6X18	1	1	1		
22	95701-06012-00	BOLT, FLANGE, 6X12	2	2	2		
23	95701-08022-00	BOLT, FLANGE, 8X22	1	1	1		



KZLMF2600

Ref. No.	L.O.N.	(Relative ref. Number) Description	F.R.T.
1	3101A3	COCK, FUEL AUTO	0.8
2		(3)	
2	310115	SCREEN, FUEL STRAINER	0.8
6	310100	TANK, FUEL	0.9
13		(14)	
	617105	FUEL TANK SENDING UNIT	0.3

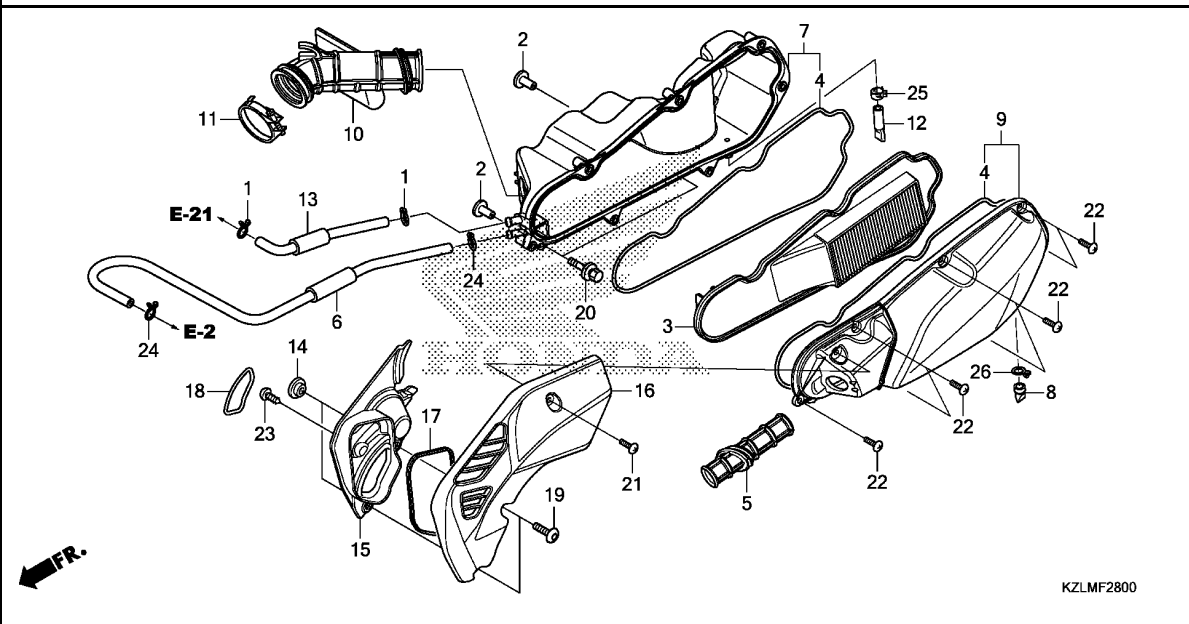
Ref. No.	Part No.	Description	Reqd. QTY			Serial No.	Parts catalogue code
			NSC110CS	D	E		
1	16950-KZL-A01	COCK ASSY., FUEL AUTO	1	1	1		
2	16952-KJ9-752	SCREEN SET, FUEL STRAINER ...	1	1	1		
3	16958-397-771	O-RING, 9.0X1.3	1	1	1		
4	17260-KZL-A00	TUBE, DRAIN, 8X12X810	1	1	1		
5	17505-KZL-930	TRAY, FUEL	1	1	1		
6	17510-KZL-A00	TANK COMP., FUEL	1	1	1		
7	17525-KBN-900	JOINT, FUEL TUBE	1	1	1		
8	17575-KZL-A00	COVER, FUEL TANK	1	1	1		
9	17620-KGH-600	CAP, FUEL FILLER	1	1	1		
10	17630-KZL-A00	TUBE, FUEL	1	1	1		
11	17631-KEV-900	PACKING, FUEL FILLER CAP	1	1	1		
12	17635-KZL-A00	TUBE, PRESSURE	1	1	1		
13	37800-KZL-A01	FUEL UNIT	1	1	1		
14	37801-GA7-700	PACKING, BASE	1	1	1		
15	37802-KTL-740	RETAINER, FUEL UNIT	1	1	1		
16	93903-34480	SCREW, TAPPING, 4X16	4	4	4		
17	95002-02070	CLIP, TUBE(B7)	2	2	2		
18	95002-02080	CLIP, TUBE(B8)	2	2	2		
19	95701-06012-00	BOLT, FLANGE, 6X12	4	4	4		



Ref. No.	L.O.N.	(Relative ref. Number) Description	F.R.T.
3		(4)	
312105		ELEMENT, AIR CLEANER	0.2
7	3121A5	CASE, AIR CLEANER	0.5
9		(5)	
312102		COVER, AIR CLEANER CASE	0.2
10	3121B6	TUBE, AIR CLEANER CONNECTING ..	0.5
16		(15,17,18)	
1101H4		DUCT, BELT COVER	0.1

KZLMF2800

Ref. No.	Part No.	Description	Reqd. QTY			Serial No.	Parts catalogue code
			NSC110CS	D	E		
1	15771-KV6-000	CLIP, OIL DRAIN TUBE	2	2	2		
2	17208-GGE-900	COLLAR, AIR CLEANER SETTING ..	2	2	2		
3	17210-KZL-730	ELEMENT COMP., AIR CLEANER(WL)	1	1	1		
4	17213-KZL-930	SEAL, AIR CLEANER	2	2	2		
5	17215-KZL-A00	DUCT, AIR CLEANER	1	1	1		
6	17218-KZL-A00	TUBE, BREATHER	1	1	1		
7	17225-KZL-A00	CASE SUB ASSY., AIR CLEANER ..	1	1	1		
8	17234-KCW-871	TUBE, AIR CLEANER DRAIN	1	1	1		
9	17235-KZL-A00	COVER SUB ASSY., AIR CLEANER ..	1	1	1		
10	17253-KZL-A00	TUBE, AIR CLEANER CONNECTING ..	1	1	1		
11	17254-KVY-900	BAND, CONNECTING TUBE(50) ...	1	1	1		
12	17261-KVB-T00	TUBE, DRAIN	1	1	1		
13	17274-KZL-A00	TUBE, AIR OPENING	1	1	1		
14	19416-KEY-900	COLLAR	2	2	2		
	19416-KZL-930	2	2	-		
15	19741-KZL-930	DUCT, L. COVER	1	1	1		
16	19742-KZL-930	CAP, L. COVER	1	1	1		
17	19748-KZL-930	SEAL, DUCT	1	1	1		
18	19749-KVY-900	SEAL, L. DUCT COVER	1	1	1		
19	90112-KZL-A00	BOLT, SPECIAL, 6X18	2	2	2		
20	93404-06040-08	BOLT-WASHER, 6X40	2	2	2		
21	93903-25380	SCREW, TAPPING, 5X16	1	1	1		
22	93903-25480	SCREW, TAPPING, 5X20	7	7	7		
23	93903-34310	SCREW, TAPPING, 4X12	1	1	1		
24	95002-02130	CLIP, TUBE(B12.5)	2	2	2		



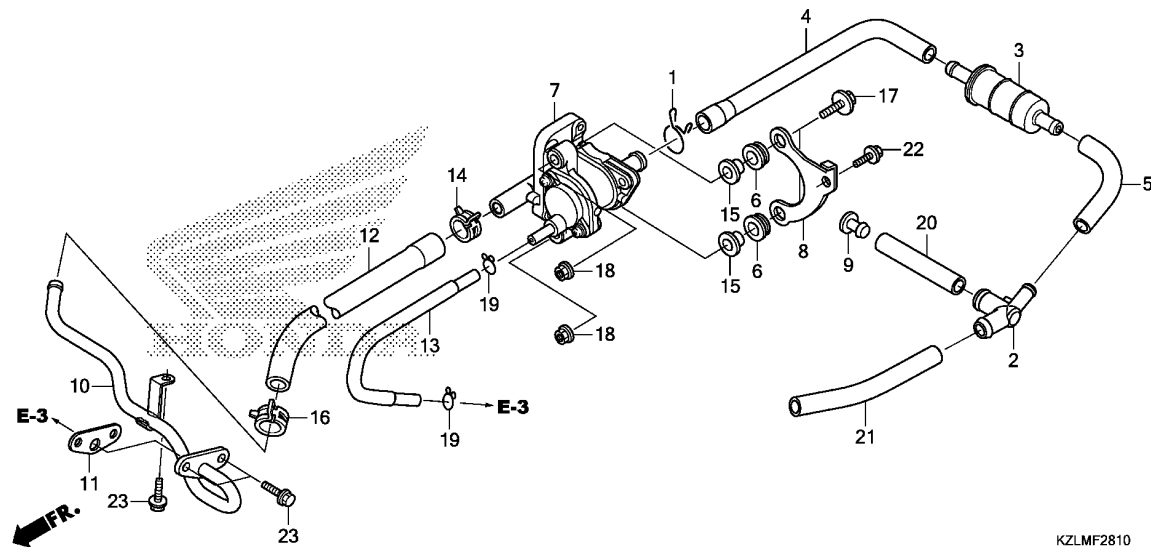
Ref. No.	Part No.	Description	Reqd. QTY			Serial No.	Parts catalogue code
			NSC	110CS	G		
			D	E			

25	95002-41200-08	CLAMP, TUBE(D12)	1	1	1		
26	95002-80000	CLIP, TUBE(C12)	1	1	1		

F-28-10

AIR SUCTION VALVE

G13



Ref. No.	L.O.N.	(Relative ref. Number) Description	F.R.T.
3	3141B4	FILTER, SECONDARY AIR SUPPLY	0.8
7	314130	VALVE, SECONDARY AIR CONTROL (11)	0.9
10	3111D1	PIPE, SECONDARY AIR	0.4

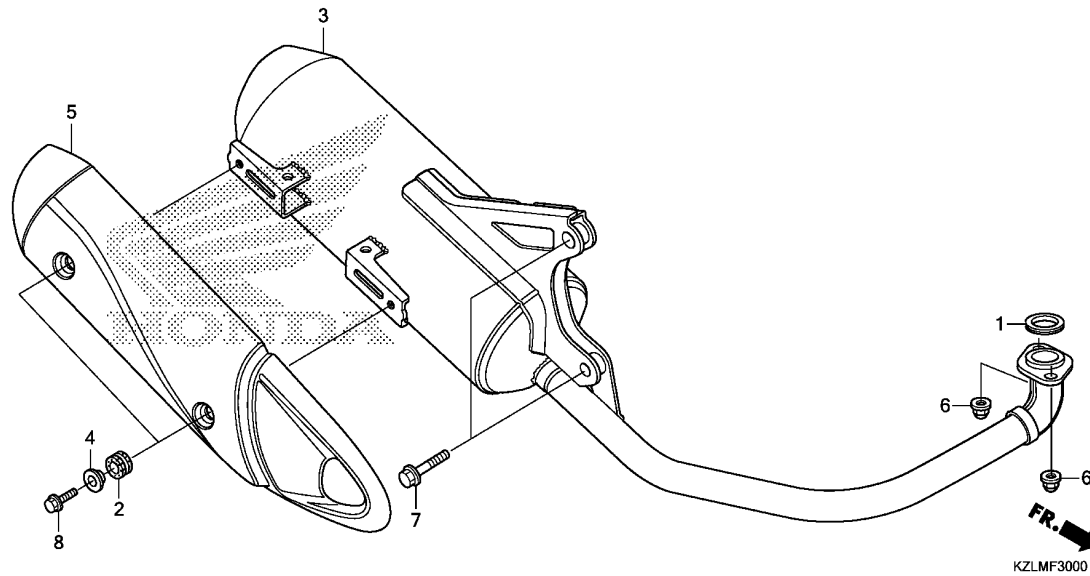
Ref. No.	Part No.	Description	Reqd. QTY			Serial No.	Parts catalogue code
			NSC110CS	D	E		
1	15771-KV6-000	CLIP, OIL DRAIN TUBE	1	1	1		
2	17201-KZL-A00	JOINT, 3WAY	1	1	1		
3	17260-KFL-D00	FILTER COMP., AIR	1	1	1		
4	17367-KZL-A00	TUBE A, SUB AIR CLEANER	1	1	1		
5	17368-KZL-A00	TUBE B, SUB AIR CLEANER	1	1	1		
6	17622-GB7-900	RUBBER, CUSHION	2	2	2		
7	18600-KVB-901	VALVE ASSY., AIR SUCTION	1	1	1		
8	18620-KZL-A00	STAY, AIR SUCTION VALVE	1	1	1		
9	18631-KZL-A00	CAP, RESONATOR	1	1	1		
10	18640-KZL-A00	PIPE COMP., AIR FEED	1	1	1		
11	18645-KVY-900	GASKET, AIR FEED PIPE	1	1	1		
12	18652-KZL-A00	HOSE, AIR INJECTION	1	1	1		
13	18655-KZL-A00	TUBE, PB(ASV)	1	1	1		
14	19509-KVB-900	CLAMP, TUBE(D19)	1	1	1		
15	90501-124-000	WASHER, FR. COVER SETTING	2	2	2		
16	90678-MN5-000	CLIP, FUEL HOSE	1	1	1		
17	93404-06030-00	BOLT-WASHER, 6X30	2	2	2		
18	94050-06000	NUT, FLANGE, 6MM	2	2	2		
19	95002-02070	CLIP, TUBE(B7)	2	2	2		
20	95005-12150-20	TUBE, 12X150	1	1	1		
21	95005-12190-20	TUBE, 12X190	1	1	1		
22	95701-06012-00	BOLT, FLANGE, 6X12	1	1	1		
23	95701-06018-00	BOLT, FLANGE, 6X18	3	3	3		

3

F-30

EXHAUST MUFFLER

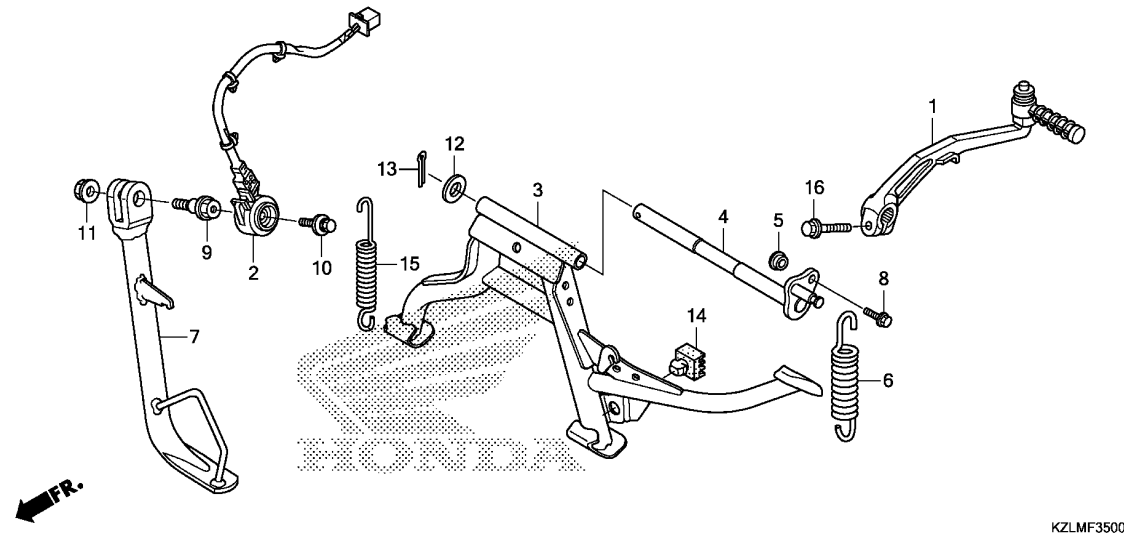
G14



Ref. No.	L.O.N.	(Relative ref. Number) Description	F.R.T.
1	3131B4	GASKET, EXHAUST PIPE	0.2
3	313120	MUFFLER	0.2
5	313121	PROTECTOR, MUFFLER	0.1

Ref. No.	Part No.	Description	Reqd. QTY			Serial No.	Parts catalogue code
			D	E	G		
1	18291-KVB-900	GASKET, EX. PIPE	1	1	1		
2	18293-KSB-900	RUBBER, PROTECTOR PACKING ...	2	2	2		
3	18300-KYT-940	MUFFLER COMP., EX.	1	1	1		
4	18316-KVB-900	COLLAR, MUFFLER PROTECTOR ...	2	2	2		
5	18318-KZL-930	PROTECTOR, MUFFLER	1	1	1		
6	90202-ZV0-000	NUT, CAP, 6MM	2	2	2		
7	95701-10040-07	BOLT, FLANGE, 10X40	2	2	2		
8	95801-06016-02	BOLT, FLANGE, 6X16	2	2	2		

3



Ref. No.	L.O.N.	(Relative ref. Number) Description	F.R.T.
1	112107	ARM, KICK STARTER	0.1
2	615195	SWITCH, SIDE STAND	0.9
3		(4)	
	410175	STAND, MAIN	0.4
6	410176	SPRING, MAIN STAND	0.2
7	410180	BAR, SIDE STAND	0.2
15	410182	SPRING, SIDE STAND	0.1

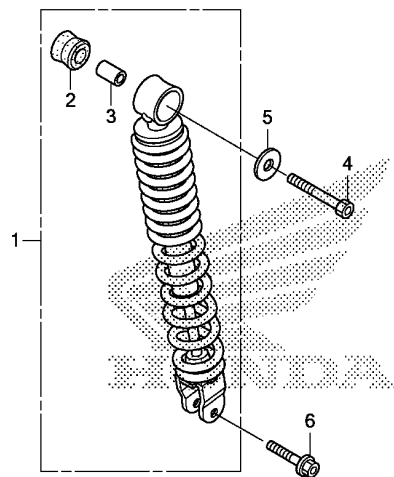
3

Ref. No.	Part No.	Description	Reqd. QTY			Serial No.	Parts catalogue code
			NSC110CS	D	E		
1	28300-KVY-900	ARM ASSY., KICK STARTER	1	-	-		
	28300-KVB-900	-	1	1		
2	35700-KZL-A01	SWITCH ASSY., SIDE STAND	1	1	1		
3	50500-KZL-C30	STAND COMP., MAIN	1	1	1		
4	50503-KVY-900	SHAFT, MAIN STAND	1	1	1		
5	50504-KZL-930	COLLAR, MAIN STAND SHAFT	1	1	1		
6	50520-KVB-900	SPRING, MAIN STAND	1	1	1		
7	50530-KZL-930	BAR COMP., SIDE STAND	1	1	1		
8	90101-KVY-900	BOLT, SETTING, 6X16	1	1	1		
9	90108-KZL-860	BOLT, SIDE STAND PIVOT	1	1	1		
10	90147-KVY-900	BOLT, SWITCH SETTING	1	1	1		
11	90203-KVB-900	NUT, SIDE STAND	1	1	1		
12	94101-10800	WASHER, PLAIN, 10MM	1	1	1		
13	94201-30200	PIN, SPLIT, 3.0X20	1	1	1		
14	95011-61000	RUBBER A, STAND STOPPER	1	1	1		
15	95014-72102	SPRING A, SIDE STAND	1	1	1		
16	95701-08025-00	BOLT, FLANGE, 8X25	1	-	-		
	95701-08025-07	-	1	1		

F-36

REAR CUSHION

G16



KZLMF3600

Ref. No.	L.O.N.	(Relative ref. Number)	Description	F.R.T.
----------	--------	------------------------	-------------	--------

1	512115	CUSHION ASSY., REAR	0.7
---	--------	---------------------	-------	-----

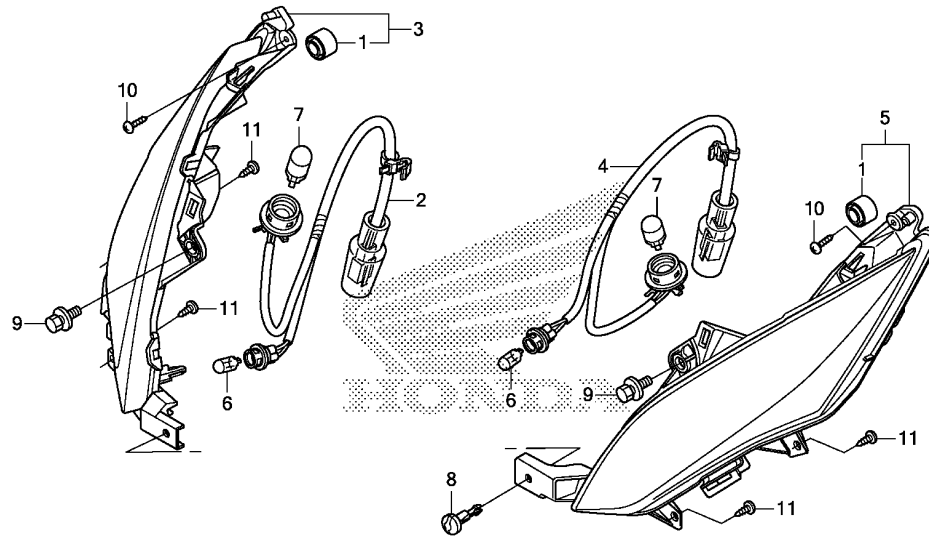
Ref. No.	Part No.	Description	Reqd. QTY			Serial No.	Parts catalogue code
			D	E	G		
1	52400-KZL-931	CUSHION ASSY., RR. (CHUANNAN ABSORBER)	1	1	1		
	52400-KZL-E01	CUSHION ASSY., RR.(SHOWA) ---	1	1	1		
2	52485-KVY-901	BUSH, RUBBER(SHOWA)	1	1	1		
	52485-KWW-662	BUSH A, RUBBER (CHUANNAN ABSORBER)	1	1	1		
3	52486-GA7-003	COLLAR, RUBBER BUSH(SHOWA) --	1	1	1		
	52486-GGC-901	COLLAR, RUBBER BUSH UPPER (CHUANNAN ABSORBER)	1	1	1		
4	92201-10090-0H	BOLT, HEX., 10X90	1	1	1		
5	94101-10000	WASHER, PLAIN, 10MM	1	1	1		
6	95801-08032-00	BOLT, FLANGE, 8X32	1	1	1		

3

F-37-10

FRONT WINKER

H 1



Ref. No.	L.O.N.	(Relative ref. Number) Description	F.R.T.
2	6161B6	SOCKET, WINKER :RIGHT FRONT ..	0.2
3	6161C4	WINKER :RIGHT FRONT	0.3
4	6161B5	SOCKET, WINKER :LEFT FRONT ...	0.2
	6161B7	SOCKET, WINKER :BOTH FRONT ...	0.3
5	6161C3	WINKER :LEFT FRONT	0.3
	6161C5	WINKER :BOTH FRONT	0.4
6	616182	BULB, POSITION LIGHT	0.1
		.NOTE: Same time for two units	
7	616133	BULB, WINKER :FRONT	0.1
		.NOTE: Same time for two units	
	6161G0	BULB, WINKER :FOR 1 VEHICLE ..	0.2

KZLMF3710

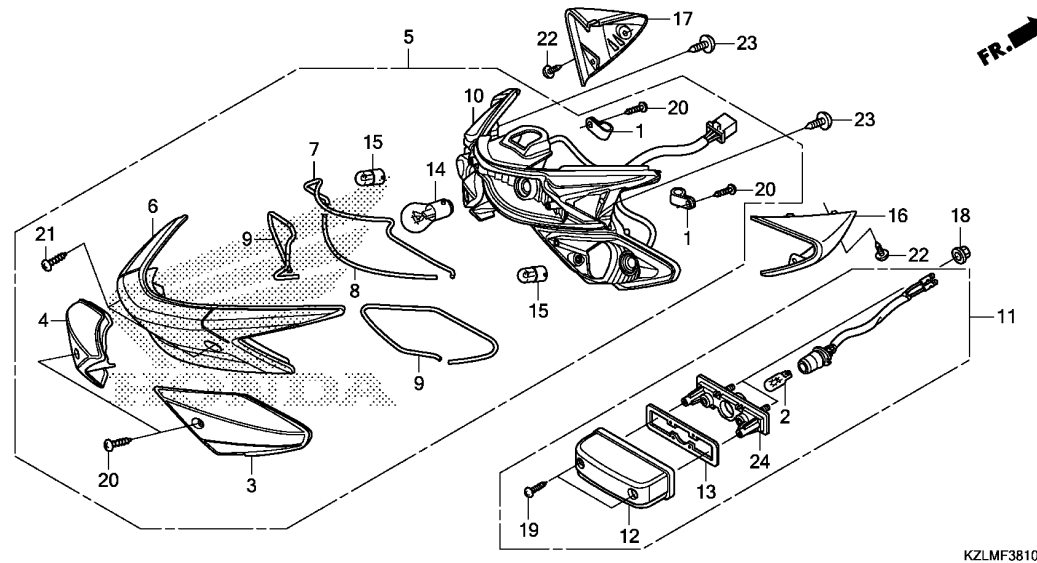
Ref. No.	Part No.	Description	Reqd. QTY			Serial No.	Parts catalogue code
			D	E	G		
1	33113-KWR-003	PIPE, CP	2	2	2		
2	33410-KZL-A01	CORD COMP., R. FR. WINKER ...	1	1	-		
	33410-KZL-931	-	-	1		
3	33420-KZL-A01	WINKER UNIT, R. FR.	1	1	-		
	33420-KZL-931	-	-	1		
4	33460-KZL-A01	CORD COMP., L. FR. WINKER ...	1	1	-		
	33460-KZL-931	-	-	1		
5	33470-KZL-A01	WINKER UNIT, L. FR.	1	1	-		
	33470-KZL-931	-	-	1		
6	34908-KZL-A01	BULB, POSITION(12V 3.4W)	2	2	-		
	33301-KZL-931	BULB, POSITION(12V 5W)	-	-	2		
7	34910-KZL-A01	BULB, WINKER(12V 10W)	2	2	-		
	34910-KZL-931	-	-	2		
8	90683-GAZ-003	CLIP, TRIM	1	1	-		
	90683-GAZ-980	1	1	-		
	90683-GFC-T11	-	-	1		
9	93404-06012-00	BOLT-WASHER, 6X12	2	2	2		
10	93903-34480	SCREW, TAPPING, 4X16	2	2	2		
11	93903-35220	SCREW, TAPPING, 5X12	4	4	4		

3

F-38-10

REAR COMBINATION LIGHT

H 2



Ref. No.	L.O.N.	(Relative ref. Number) Description	F.R.T.
2		(12,13)	
2	6161F3	BULB, LICENSE LIGHT	0.1
5	6161D5	TAILLIGHT UNIT	0.7
10	6161E2	BASE, TAILLIGHT	0.7
11	6161D8	LIGHT, LICENSE	0.7
14		(6,7)	
14	6161G1	BULB, TAILLIGHT	0.1
15		(3,4,9)	
15	616139	BULB, WINKER :REAR	0.1
		.NOTE: Same time for two units	
	6161G0	BULB, WINKER :FOR 1 VEHICLE ..	0.2
16	6161Z8	COVER, REAR WINKER :RIGHT	0.1
17	6161Z7	COVER, REAR WINKER :LEFT	0.1
	6161Z9	COVER, REAR WINKER :BOTH	0.1

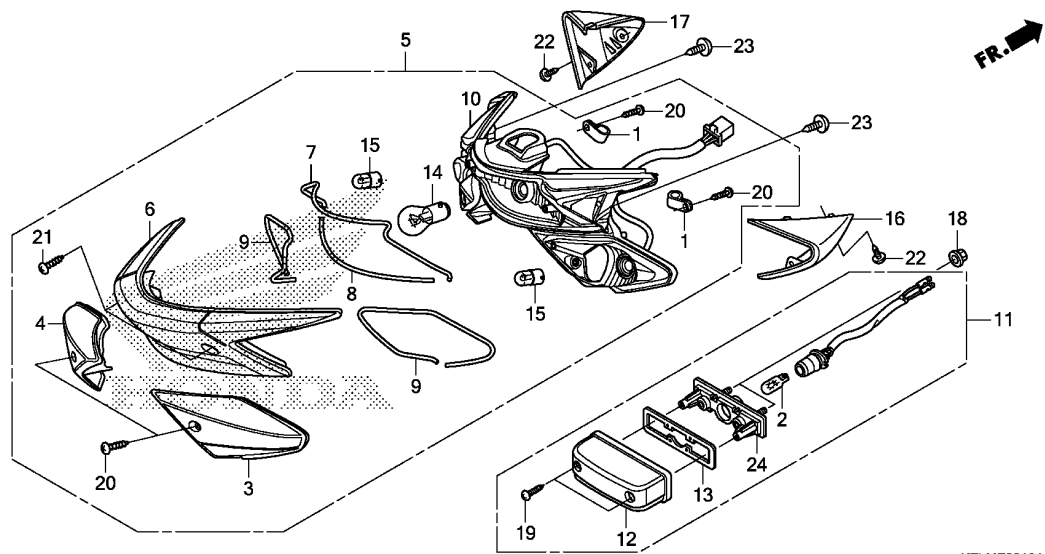
Ref. No.	Part No.	Description	Reqd. QTY			Serial No.	Parts catalogue code
			NSC110CS	D	E		
1	32920-MN5-003	CLAMP, CORD	2	2	2		
2	33301-SA0-741	BULB(12V 5W)(STANLEY)	1	1	-		
	33301-KPH-W00	BULB, POSITION LIGHT(12V 5W)	-	-	1		
3	33602-KZL-A01	LENS, R. WINKER	1	1	-		
	33602-KZL-931	-	-	1		
4	33652-KZL-A01	LENS, L. WINKER	1	1	-		
	33652-KZL-931	-	-	1		
5	33700-KZL-A01	LIGHT ASSY., RR. COMBINATION	1	1	-		
	33700-KZL-841	-	-	1		
6	33703-KZL-A01	LENS, TAILLIGHT	1	1	-		
	33703-KZL-931	-	-	1		
7	33704-KZL-931	SEAL A, PACKING	1	1	1		
8	33705-KZL-931	SEAL B, PACKING	1	1	1		
9	33706-KZL-931	SEAL C, PACKING	2	2	2		
10	33710-KZL-A01	LIGHT UNIT, RR. COMBINATION	1	1	-		
	33710-KZL-931	-	-	1		
11	33720-KZL-A01	LIGHT ASSY., LICENSE	1	1	-		
	33720-KZL-931	-	-	1		
12	33722-KWN-901	COVER COMP., LICENSE	1	1	-		
	33721-KZL-931	-	-	1		
13	33729-MCZ-003	PACKING, LENS	1	1	-		
	33729-KPH-W00	-	-	1		
14	34906-GB6-921	BULB, TAILLIGHT(12V 18/5W)	1	1	-		
		(STANLEY)	1	1	-		
	34906-447-711	BULB, TAIL & STOP LIGHT	-	-	1		
		(12V 21/5W)(STANLEY)	-	-	1		

3

F-38-10

REAR COMBINATION LIGHT

H 3



KZLMF3810A

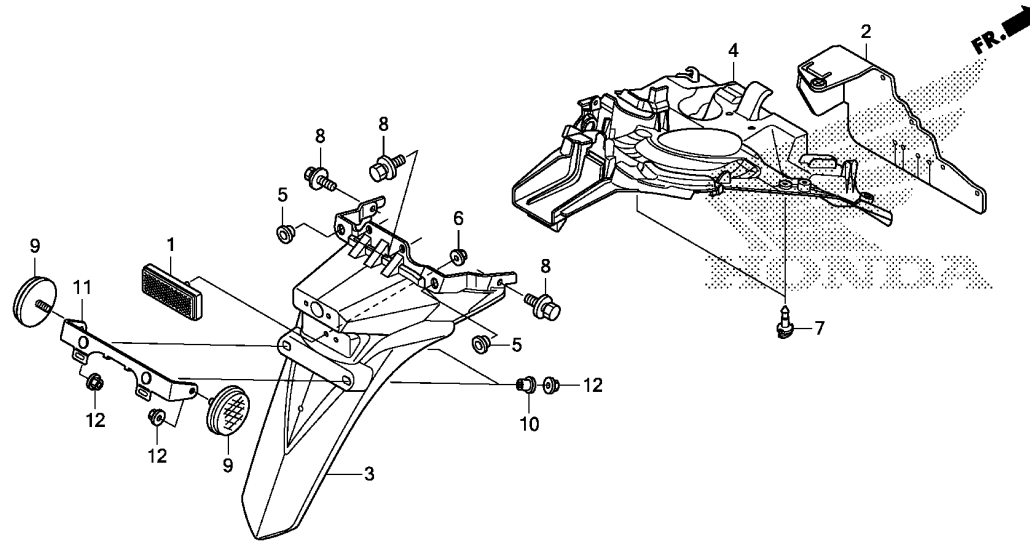
3

Ref. No.	Part No.	Description	Reqd. QTY			Serial No.	Parts catalogue code
			D	E	G		
15	34910-KWW-C01	BULB, WINKER(12V 10W)(STANLEY) (AMBER)	2	2	2		
	34907-KZL-931	BULB(12V 10W)(AMBER) (CHINA PHILIPS)	2	2	-		
	34907-KZL-A01 (OSRAM)	2	2	-		
16	80121-KZL-930	COVER, R. RR. WINKER	1	1	1		
17	80131-KZL-930	COVER, L. RR. WINKER	1	1	1		
18	90301-KWN-901	NUT, U, 5MM	2	2	2		
19	93901-24480	SCREW, TAPPING, 4X16	2	2	2		
20	93901-34420	SCREW, TAPPING, 4X16	4	4	4		
21	93901-34480	SCREW, TAPPING, 4X16	2	2	2		
22	93903-34480	SCREW, TAPPING, 4X16	2	2	2		
23	93903-35320	SCREW, TAPPING, 5X16	2	2	2		
24	33723-KTT-901	BASE COMP., LICENSE	-	-	1		

F-39

REAR FENDER

H 4

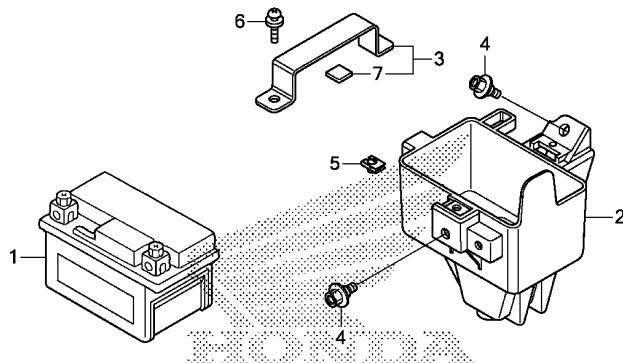


KZLMF3900A

Ref. No.	L.O.N.	(Relative ref. Number) Description	F.R.T.
3	413105	FENDER A, REAR	0.7
4	413110	FENDER B, REAR	0.8

Ref. No.	Part No.	Description	Reqd. QTY			Serial No.	Parts catalogue code
			D	E	G		
1	33741-MS6-921	REFLECTOR, REFLEX(STANLEY) ..	1	1	1		
2	80104-KZL-A00	PLATE, RR. FENDER SPLASH GUARD	1	1	1		
3	80105-KZL-A00	FENDER A, RR.	1	1	-		
	80105-K39-M20	-	-	1		
4	80107-KZL-A00	FENDER B, RR.	1	1	1		
5	83551-376-000	GROMMET, SIDE COVER	2	2	2		
6	90301-KWN-901	NUT, U, 5MM	1	1	1		
7	90683-GAZ-003	CLIP, TRIM	2	2	-		
	90683-GAZ-980	2	2	-		
	90683-GFC-T11	-	-	2		
8	93404-06012-00	BOLT-WASHER, 6X12	4	4	4		
9	33741-KTG-U01	REFLECTOR, FR. REFLEX(AMBER)	-	-	2		
10	50504-KZL-930	COLLAR, MAIN STAND SHAFT	-	-	2		
11	80141-K39-M20	STAY, RR. SIDE REFLECTOR	-	-	1		
12	90301-KGH-901	NUT, U, 6MM(FUJI SEIMITSU) ..	-	-	4		

3



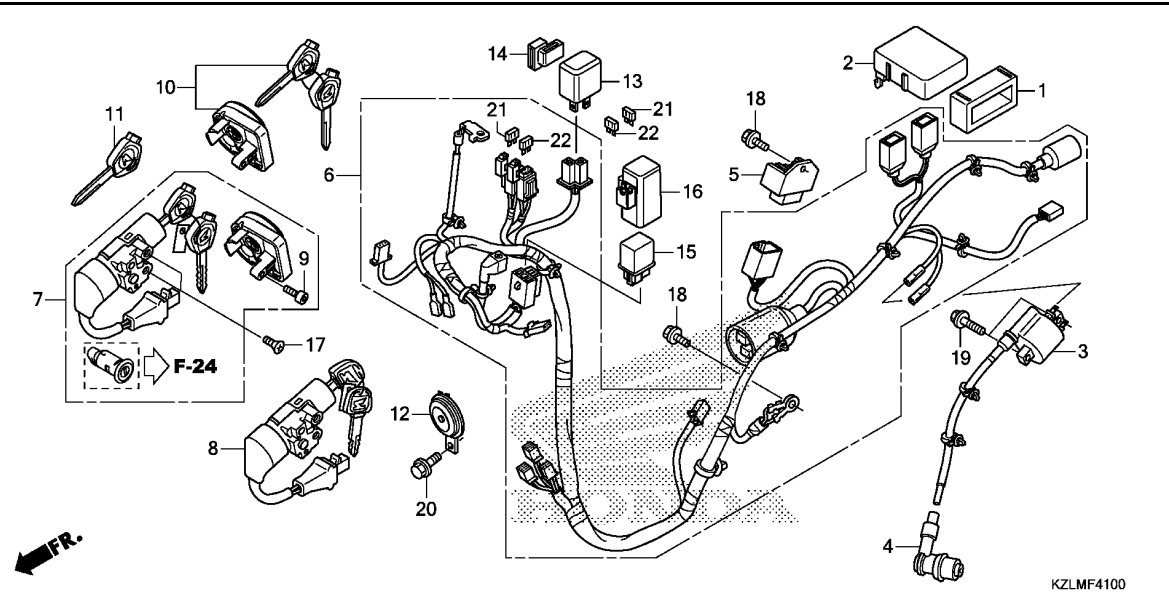
FR.

KZLMF4000A

Ref. No.	L.O.N.	(Relative ref. Number) Description	F.R.T.
1	610100	BATTERY	0.2
2	410185	BOX, BATTERY	0.2

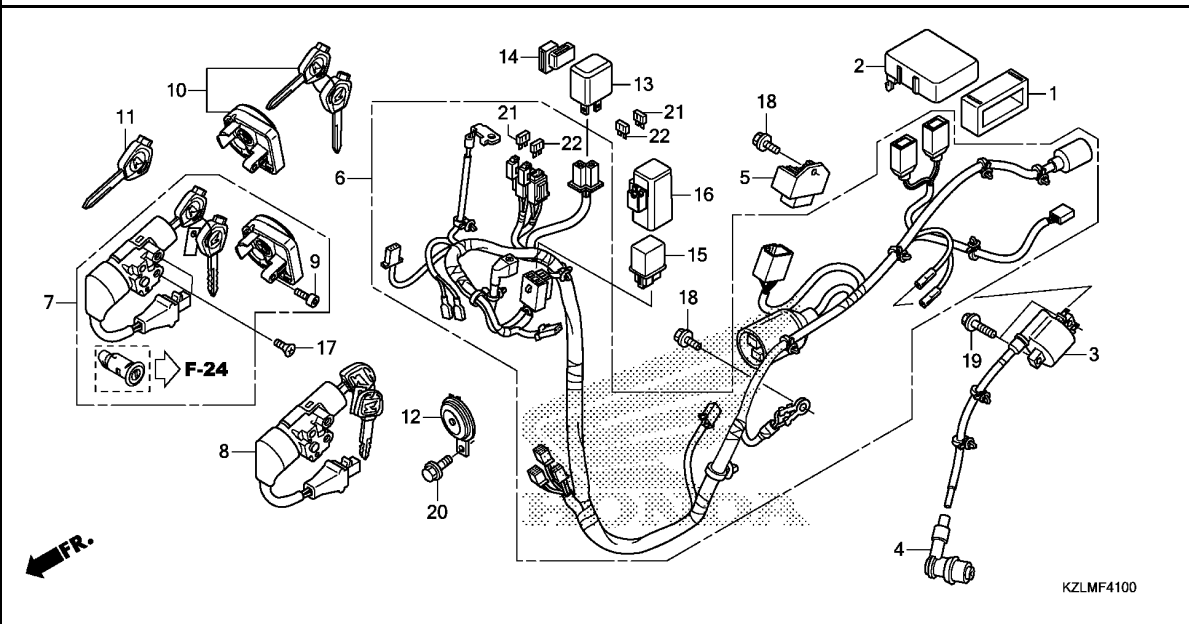
3

Ref. No.	Part No.	Description	Reqd. QTY			Serial No.	Parts catalogue code
			D	E	G		
1	31500-KVB-T02	BATTERY (YTZ4V) (YUASA)	1	1	1		
2	50381-KZL-A00	CASE, BATTERY	1	1	1		
3	50382-KZL-A00	BAND, BATTERY	1	1	1		
4	90111-162-000	BOLT, FLANGE, 6MM	2	2	2		
5	90677-KAN-T00	NUT, CLIP, 5MM	1	1	1		
6	93891-05010-07	SCREW-WASHER, 5X10	1	1	1		
7	50391-KVB-900	CUSHION A, BATTERY	1	1	1		



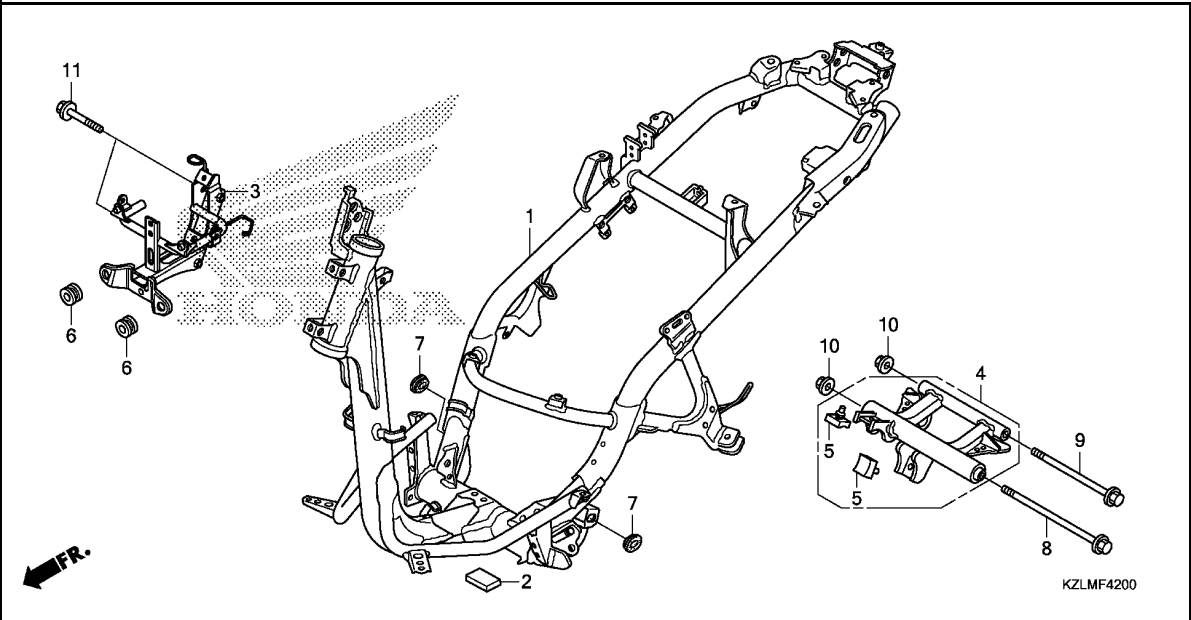
Ref. No.	L.O.N.	(Relative ref. Number) Description	F.R.T.
2	6141A1	IGNITION CONTROL MODULE	0.8
3	614105	COIL, IGNITION	0.8
5	6131B2	RECTIFIER, REGULATE	0.8
6	611100	HARNESS, WIRE	1.2
7	6151A1	KEY SET	2.9
8	615145	SWITCH, COMBINATION & LOCK ...	2.1
10	6151A2	KEY, SHUTTER	2.0
.EXCLUDES: Key cutting			
12	616169	HORN	0.1
13	6111C3	RELAY, WINKER	0.2
15	6111C5	RELAY, STARTER	0.2

Ref. No.	Part No.	Description	Reqd. QTY			Serial No.	Parts catalogue code
			NSC110CS	D	E		
1	30401-KYT-940	CUSHION, C.D.I. UNIT	1	1	1		
2	30410-KZL-A01	C.D.I. UNIT	1	1	1		
3	30500-KZL-A01	COIL ASSY., IGNITION	1	1	1		
4	30700-KZL-A01	CAP ASSY., NOISE SUPPRESSOR					
		(NGK)	1	1	1		
5	31600-KVB-N51	RECTIFIER COMP., REGULATOR ..	1	1	1		
6	32100-KZL-730	HARNESS, WIRE	1	1	-		
	32100-K39-M20	-	-	1		
7	35010-KZL-A00	KEY SET	1	1	1		
8	35101-KZL-A01	SWITCH COMP., COMBINATION & LOCK	1	1	1		
9	35109-KWW-A01	BOLT, SOCKET, 5X8	1	1	1		
10	35110-KWW-A01	KEY SET, SHUTTER	1	1	1		
11	35121-KWW-A00	KEY, BLANK					
		(AOKEYTOP2REPORDER)	(1)	(1)	(1)		
12	38110-KZL-731	HORN COMP.(HIGH)	1	1	1		
13	38301-GBG-911	RELAY COMP., WINKER					
		(PT.MITSUBA)	1	1	1		
14	38306-GE7-000	SUSPENSION, WINKER RELAY	1	1	1		
15	38501-KPH-901	RELAY COMP., STARTER(OMRON) -	1	1	1		
	38501-KVB-901	RELAY COMP., STARTER					
		(HONDA LOCK)	1	1	1		
16	38506-KVB-901	SUSPENSION, STARTER RELAY ...					
		(HONDA LOCK)	1	1	1		
	38506-KZL-A01	SUSPENSION, STARTER RELAY					
		(OMRON)	1	1	1		



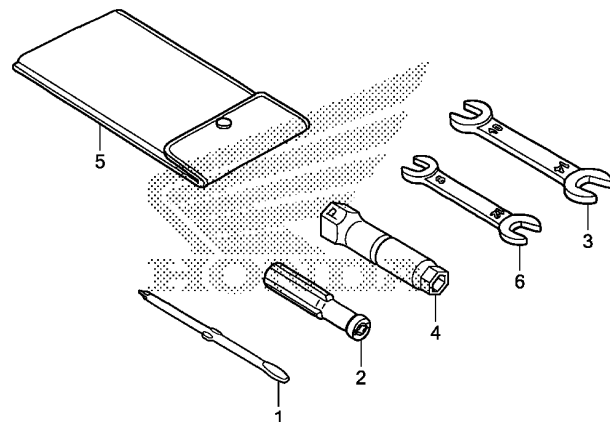
Ref. No.	Part No.	Description	Reqd. QTY			Serial No.	Parts catalogue code
			D	E	G		

17	90164-KZL-A00	SCREW, U-LOCK FLAT, 6X12	2	2	2		
18	95701-06012-00	BOLT, FLANGE, 6X12	2	2	2		
19	95701-06020-00	BOLT, FLANGE, 6X20	2	2	2		
20	95701-08012-00	BOLT, FLANGE, 8X12	1	1	1		
21	98200-41000	FUSE, MINI (10A)	2	2	2		
22	98200-41500	FUSE, MINI (15A)	2	2	2		



Ref. No.	L.O.N.	(Relative ref. Number) Description	F.R.T.
1	410100	BODY, FRAMEINCLUDES: Engine removal and installation	4.9
3	411105	STAY, FRONT COVER	0.7
4	4101B5	LINK, ENGINE HANGERINCLUDES: Engine removal and installation	1.8

Ref. No.	Part No.	Description	Reqd. QTY			Serial No.	Parts catalogue code
			NSC110CS	D	E		
1	50100-KZL-730	BODY COMP., FRAME	1	1	1		
2	50201-KZL-C00	RUBBER, FRAME UNDER	1	1	1		
3	50310-KZL-730	STAY COMP., FR. COVER	1	1	1		
4	50350-KZL-C00	LINK ASSY., ENGINE HANGER ...	1	1	1		
5	50352-KVB-T00	RUBBER, LINK STOPPER(70) ...	2	2	2		
6	64216-GJ2-730	RUBBER, SCREEN SETTING	2	2	2		
7	83551-GE2-000	GROMMET, AIR CLEANER CASE ...	2	2	2		
8	90105-KVY-900	BOLT, FLANGE, 10X270	1	1	1		
9	90106-GCC-000	BOLT, FLANGE, 10X238	1	1	1		
10	90304-KGH-901	NUT, U, 10MM	2	2	2		
11	95701-08045-08	BOLT, FLANGE, 8X45	2	2	2		



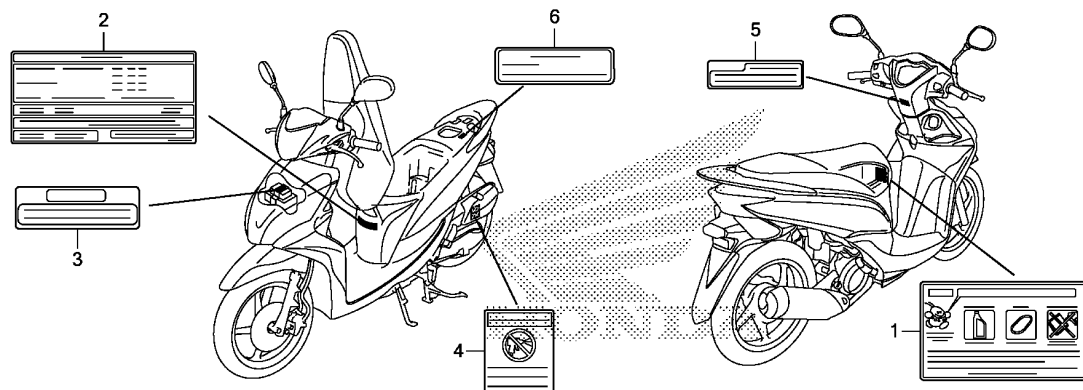
KZLMF4600

Ref. L.O.N. (Relative ref. Number) F.R.T.
No. Description

NO INFORMATION

3

Ref. No.	Part No.	Description	Reqd. QTY			Serial No.	Parts catalogue code
			D	E	G		
1	89102-538-000	DRIVER, SCREW(NO.2 + -)	1	1	1		
2	89103-538-000	GRIP	1	1	1		
3	89211-KWW-640 99001-10140	SPANNER, 10X14	1	1	1		
4	89216-GFC-950	WRENCH, PLUG, 16	1	1	1		
5	89219-KGH-900	BAG, TOOL, 160MM	1	1	1		
6	99001-08120	SPANNER, 8X12	1	1	1		

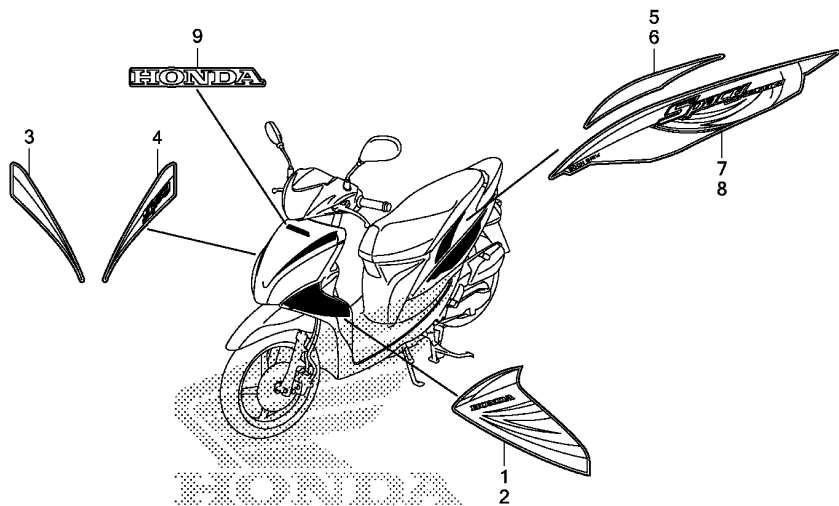


KZLMF4700

Ref. L.O.N. (Relative ref. Number) F.R.T.
No. Description

NO INFORMATION

Ref. No.	Part No.	Description	Reqd. QTY			Serial No.	Parts catalogue code
			D	E	G		
1	87504-KVY-970	LABEL, REPLACEMENT INFORMATION	1	-	-		
	87504-KZL-730	-	1	1		
2	87505-KZL-730	LABEL, TIRE	1	1	1		
3	87506-KGH-970	MARK, BATTERY CAUTION	1	1	1		
4	87509-KWP-900	LABEL, AIR CLEANER ELEMENT					
		NOTICE	1	1	1		
5	87560-KVB-860	LABEL, DRIVE CAUTION	1	1	1		
6	87701-KVB-860	LABEL, MAINTENANCE CAUTION ..	1	1	1		



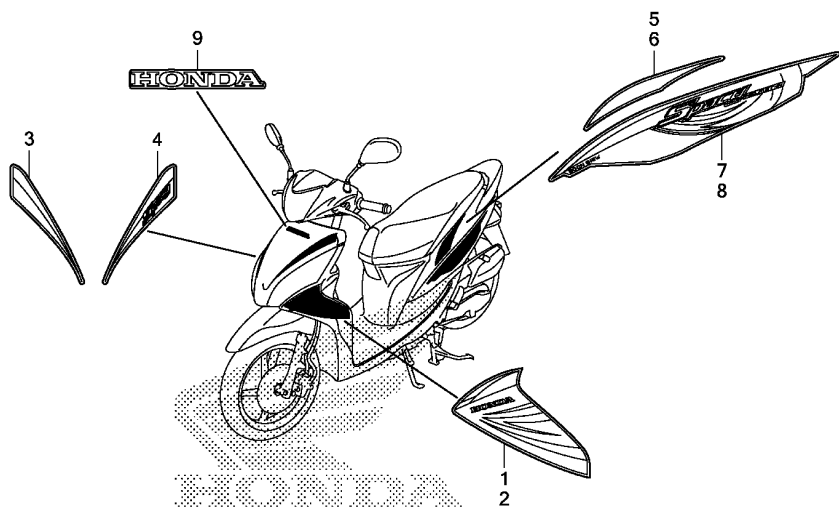
KZLMF4800

Ref. L.O.N. (Relative ref. Number) F.R.T.
No. Description

NO INFORMATION

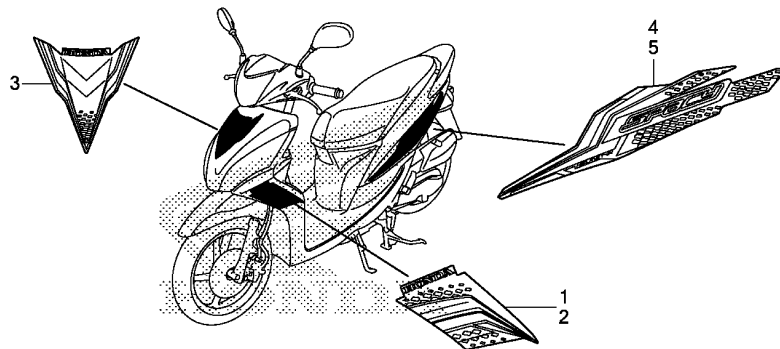
3

Ref. No.	Part No.	Description	Reqd. QTY			Serial No.	Parts catalogue code
			NSC110CS	D	E		
1	86641-KZL-730ZA	STRIPE, R. FR. SIDE					
		TYPE4	1	-	-		
	86641-KZL-730ZB	*TYPE3*	1	-	-		
	86641-KZL-730ZC	*TYPE2*	1	-	-		
	86641-KZL-730ZD	*TYPE1*	1	-	-		
2	86642-KZL-730ZA	STRIPE, L. FR. SIDE					
		TYPE4	1	-	-		
	86642-KZL-730ZB	*TYPE3*	1	-	-		
	86642-KZL-730ZC	*TYPE2*	1	-	-		
	86642-KZL-730ZD	*TYPE1*	1	-	-		
3	86643-KZL-730ZA	STRIPE, R. FR. COVER					
		TYPE4	1	-	-		
	86643-KZL-730ZB	*TYPE3*	1	-	-		
	86643-KZL-730ZC	*TYPE2*	1	-	-		
	86643-KZL-730ZD	*TYPE1*	1	-	-		
4	86644-KZL-730ZA	STRIPE, L. FR. COVER					
		TYPE4	1	-	-		
	86644-KZL-730ZB	*TYPE3*	1	-	-		
	86644-KZL-730ZC	*TYPE2*	1	-	-		
	86644-KZL-730ZD	*TYPE1*	1	-	-		
5	86831-KZL-730ZA	STRIPE A, R. BODY COVER					
		TYPE4	1	-	-		
	86831-KZL-730ZB	*TYPE3*	1	-	-		
	86831-KZL-730ZC	*TYPE2*	1	-	-		
	86831-KZL-730ZD	*TYPE1*	1	-	-		
6	86832-KZL-730ZA	STRIPE A, L. BODY COVER					
		TYPE4	1	-	-		
	86832-KZL-730ZB	*TYPE3*	1	-	-		



KZLMF4800

Ref. No.	Part No.	Description	Reqd. QTY			Serial No.	Parts catalogue code
			D	E	G		
(6)	86832-KZL-730ZC	STRIPE A, L. BODY COVER					
		TYPE2	1	-	-		
	86832-KZL-730ZD	*TYPE1*	1	-	-		
7	86833-KZL-730ZA	STRIPE B, R. BODY COVER					
		TYPE4	1	-	-		
	86833-KZL-730ZB	*TYPE3*	1	-	-		
	86833-KZL-730ZC	*TYPE2*	1	-	-		
	86833-KZL-730ZD	*TYPE1*	1	-	-		
8	86834-KZL-730ZA	STRIPE B, L. BODY COVER					
		TYPE4	1	-	-		
	86834-KZL-730ZB	*TYPE3*	1	-	-		
	86834-KZL-730ZC	*TYPE2*	1	-	-		
	86834-KZL-730ZD	*TYPE1*	1	-	-		
9	87130-KVY-970ZA	MARK, HONDA(80MM)					
		TYPE1	1	-	-		
	87130-KVY-970ZB	*TYPE2*	1	-	-		

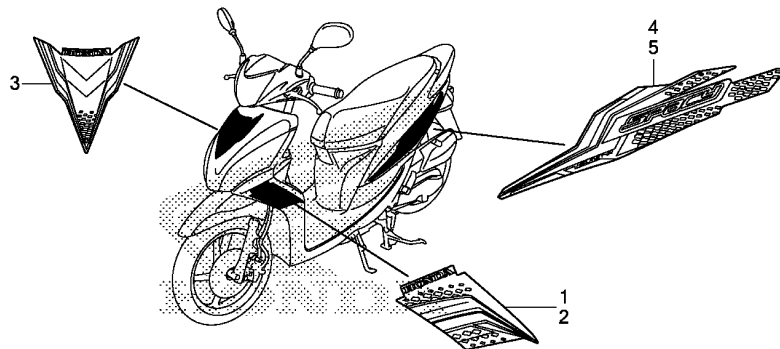


KZLMF4801

Ref. L.O.N. (Relative ref. Number) F.R.T.
No. Description

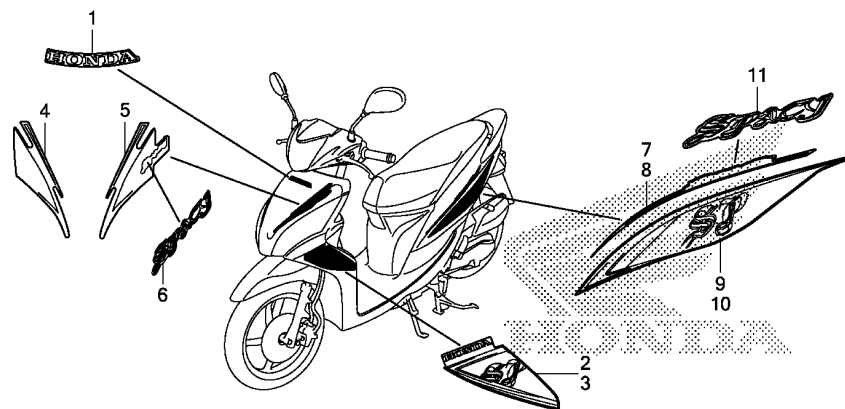
NO INFORMATION

Ref. No.	Part No.	Description	Reqd. QTY		Serial No.	Parts catalogue code
			NSC110CS			
			D	E	G	
1	86641-K39-M00ZA	STRIPE, R. FR. SIDE COVER				
		TYPE4	-	1	-	MA
	86641-K39-M00ZB	*TYPE3*	-	1	-	MA
	86641-K39-M00ZC	*TYPE2*	-	1	-	MA
	86641-K39-M00ZD	*TYPE1*	-	1	-	MA
	86641-K39-M00ZA	*TYPE4*	-	-	1	2MA
	86641-K39-M00ZB	*TYPE3*	-	-	1	2MA
	86641-K39-M00ZC	*TYPE2*	-	-	1	2MA
	86641-K39-M00ZD	*TYPE1*	-	-	1	2MA
2	86642-K39-M00ZA	STRIPE, L. FR. SIDE COVER				
		TYPE4	-	1	-	MA
	86642-K39-M00ZB	*TYPE3*	-	1	-	MA
	86642-K39-M00ZC	*TYPE2*	-	1	-	MA
	86642-K39-M00ZD	*TYPE1*	-	1	-	MA
	86642-K39-M00ZA	*TYPE4*	-	-	1	2MA
	86642-K39-M00ZB	*TYPE3*	-	-	1	2MA
	86642-K39-M00ZC	*TYPE2*	-	-	1	2MA
	86642-K39-M00ZD	*TYPE1*	-	-	1	2MA
3	86643-K39-M00ZA	STRIPE, FR. COVER				
		TYPE4	-	1	-	MA
	86643-K39-M00ZB	*TYPE3*	-	1	-	MA
	86643-K39-M00ZC	*TYPE2*	-	1	-	MA
	86643-K39-M00ZD	*TYPE1*	-	1	-	MA
	86643-K39-M00ZA	*TYPE4*	-	-	1	2MA
	86643-K39-M00ZB	*TYPE3*	-	-	1	2MA
	86643-K39-M00ZC	*TYPE2*	-	-	1	2MA
	86643-K39-M00ZD	*TYPE1*	-	-	1	2MA
4	86831-K39-M00ZA	STRIPE, R. BODY COVER				
		TYPE4	-	1	-	MA



KZLMF4801

Ref. No.	Part No.	Description	Reqd. QTY			Serial No.	Parts catalogue code
			D	E	G		
(4)	86831-K39-M00ZB	STRIPE, R. BODY COVER					
		TYPE3	-	1	-	-----	MA
	86831-K39-M00ZC	*TYPE2*	-	1	-	-----	MA
	86831-K39-M00ZD	*TYPE1*	-	1	-	-----	MA
	86831-K39-M00ZA	*TYPE4*	-	-	1	-----	2MA
	86831-K39-M00ZB	*TYPE3*	-	-	1	-----	2MA
	86831-K39-M00ZC	*TYPE2*	-	-	1	-----	2MA
	86831-K39-M00ZD	*TYPE1*	-	-	1	-----	2MA
5	86832-K39-M00ZA	STRIPE, L. BODY COVER					
		TYPE4	-	1	-	-----	MA
	86832-K39-M00ZB	*TYPE3*	-	1	-	-----	MA
	86832-K39-M00ZC	*TYPE2*	-	1	-	-----	MA
	86832-K39-M00ZD	*TYPE1*	-	1	-	-----	MA
	86832-K39-M00ZA	*TYPE4*	-	-	1	-----	2MA
	86832-K39-M00ZB	*TYPE3*	-	-	1	-----	2MA
	86832-K39-M00ZC	*TYPE2*	-	-	1	-----	2MA
	86832-K39-M00ZD	*TYPE1*	-	-	1	-----	2MA



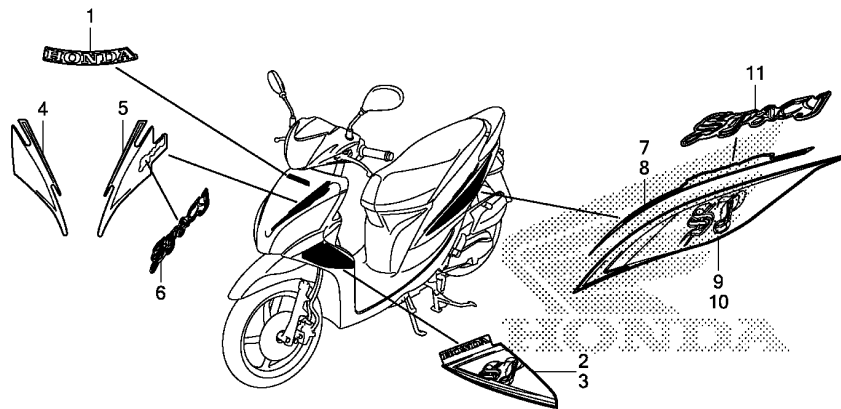
KZLMF4802

Ref. L.O.N. (Relative ref. Number) F.R.T.
No. Description

NO INFORMATION

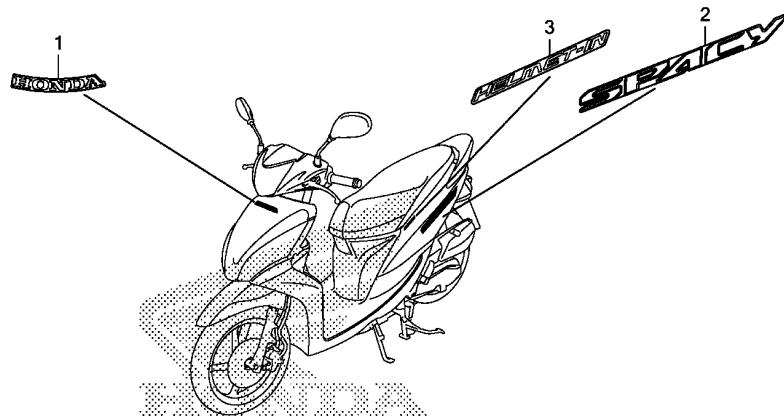
3

Ref. No.	Part No.	Description	Reqd. QTY			Serial No.	Parts catalogue code
			D	E	G		
1	86101-K39-M10ZA	MARK, HONDA(80MM) *TYPE1*.....	-	1	-	-----	2MA 3MA
2	86641-K39-M10ZA	STRIPE, R. FR. SIDE COVER *TYPE1*.....	-	1	-	-----	2MA 3MA
3	86642-K39-M10ZA	STRIPE, L. FR. SIDE COVER *TYPE1*.....	-	1	-	-----	2MA 3MA
4	86643-K39-M10ZA	STRIPE, R. FR. COVER *TYPE1*.....	-	1	-	-----	2MA 3MA
5	86644-K39-M10ZA	STRIPE, L. FR. COVER *TYPE1*.....	-	1	-	-----	2MA 3MA
6	86645-K39-M10ZA	MARK, FR.(SPACY) *TYPE1*.....	-	1	-	-----	2MA 3MA
7	86831-K39-M10ZA	STRIPE A, R. BODY COVER *TYPE1*.....	-	1	-	-----	2MA 3MA
8	86832-K39-M10ZA	STRIPE A, L. BODY COVER *TYPE1*.....	-	1	-	-----	2MA 3MA
9	86833-K39-M10ZA	STRIPE B, R. BODY COVER *TYPE1*.....	-	1	-	-----	2MA 3MA



KZLMF4802

Ref. No.	Part No.	Description	Reqd. QTY			Serial No.	Parts catalogue code
			NSC	110CS	G		
			D	E			
10	86834-K39-M10ZA	STRIPE B, L. BODY COVER					
		TYPE1	-	1	-	-----	2MA
			-	-	1	-----	3MA
11	86835-K39-M10ZA	MARK(SPACY)					
		TYPE1	-	2	-	-----	2MA
			-	-	2	-----	3MA



KZLMF4803

Ref. L.O.N. (Relative ref. Number) F.R.T.
No. Description

NO INFORMATION

3

Ref. No.	Part No.	Description	Reqd. QTY			Serial No.	Parts catalogue code
			D	E	G		
1	86101-K39-M20ZA	MARK, HONDA (80MM)	-	-	1	-----	MA
		TYPE2.....	-	-	1	-----	MA
	86101-K39-M20ZB	*TYPE1*.....	-	-	1	-----	MA
2	86833-K39-M20ZA	MARK, BODY COVER	-	-	2	-----	MA
		TYPE1.....	-	-	2	-----	MA
3	86834-K39-M20ZA	MARK (HELMET IN)	-	-	2	-----	MA
		TYPE2.....	-	-	2	-----	MA
	86834-K39-M20ZB	*TYPE1*.....	-	-	2	-----	MA

PART NO. INDEX

J 1

Part Number	Address	Page	Ref.	Part Number	Address	Page	Ref.	Part Number	Address	Page	Ref.	Part Number	Address	Page	Ref.
06000				13041-KVY-700	E4	51	2	16037-KCW-000	E5	52	7	18000			
06430-KWN-900	G7	76	1	13042-KVY-700	E4	51	2	16046-KZL-A01	E5	52	8	23233-KZL-A00	D14	45	11
06430-KZL-930	G7	76	1	13051-KVY-700	E4	51	2	16050-KVY-901	E5	52	9	23237-GCC-C50	D14	45	12
06451-961-405	G4	73	1	13052-KVY-700	E4	51	2	16075-GHB-640	E5	52	10	23238-GCC-000	D14	45	13
06455-KVB-T01	G4	73	2	13101-KVY-900	E4	51	3	16100-KZL-732	E5	52	11	23411-KVY-900	D16	47	6
06530-GBG-B20	F9	62	1	13102-KVY-305	E4	51	3	16107-GCC-000	E5	52	12	23421-KVB-900	D16	47	7
06531-GBG-B20	F9	62	2	13103-KVY-305	E4	51	3	16111-KVB-902	E5	52	13	23422-KVG-900	D16	47	8
11000				13104-KVY-305	E4	51	3	16119-KZL-A01	E5	52	14	23430-KVB-900	D16	47	9
11100-KZL-A00	E2	49	1	13105-KVY-305	E4	51	3	16131-ZW9-801	E5	52	15	28000			
11103-KVB-901	E2	49	2	13111-087-000	E4	51	4	16140-GFC-901	E5	52	16	28120-KVB-901	D11	42	2
11000				13115-GN5-910	E4	51	5	16155-KJ9-751	E5	52	17	28150-KVB-900	D11	42	3
11000				14000				16163-KGF-911	E5	52	18	28223-GCC-000	D13	44	9
11103-KVB-930	E2	49	2	14100-KVY-900	D5	36	2	16165-KVB-901	E5	52	19	28230-KVB-T00	D13	44	10
11108-KZL-930	D16	47	1	14100-KZL-A00	D5	36	2	16180-KGH-971	E5	52	20	28250-KVB-T02	D13	44	11
11200-KZL-A00	E3	50	2	14125-KVY-900	D5	36	3	16190-GEE-003	E5	52	21	28253-KVB-900	D13	44	12
11203-GC7-300	E3	50	3	14126-KPH-900	D5	36	4	16199-KZL-A01	E5	52	22	28255-GS6-000	D13	44	13
11203-KVB-901	E3	50	3	14321-KVY-900	D5	36	5	16201-KVY-901	D3	34	5	28281-GCC-000	D13	44	14
11204-KGF-900	D16	47	2	14401-KVB-901	D7	38	1	16222-MW4-300	D3	34	6	28300-KVB-900	G15	84	1
11205-GBC-300	E2	49	3	14430-KVY-901	D5	36	6	16236-KVG-900	D12	43	7	28300-KVY-900	G15	84	1
11200				14440-KVY-901	D5	36	7	16423-KGH-901	E5	52	23	30000			
11205-GW3-931	D11	42	1	14461-KVB-900	D5	36	8	16950-KZL-A01	G10	79	1	19416-KEY-900	G11	80	14
11205-GW3-980	E3	50	5	14510-KVB-900	D7	38	2	16952-KJ9-752	G10	79	2	19416-KZL-930	G11	80	14
11211-KZL-930	D16	47	3	14520-GFC-771	D7	38	3	16958-397-771	G10	79	3	19509-KVB-900	G13	82	14
11216-GGC-900	E2	49	2	14520-K25-901	D7	38	3	17000				19510-KVY-900	D9	40	1
11230-KVB-900	D12	43	1	14520-KVY-901	D7	38	4	17110-KVY-900	D3	34	7	19610-KVY-900	D1	32	1
11340-KVY-900	D12	43	2	14531-KVY-900	D7	38	4	17112-KZL-A00	D3	34	8	19621-KZL-A00	D1	32	2
11340-KYT-940	D12	43	2	14560-KCW-851	D7	38	5	17201-KZL-A00	G13	82	2	19625-KVY-900	D1	32	3
11342-KVY-900	D12	43	3	14611-KVB-900	D7	38	6	17208-GGE-900	G11	80	2	19631-KVY-900	D1	32	4
11343-KVG-900	D12	43	4	14711-KVY-900	D5	36	9	17210-KZL-730	G11	80	3	19639-GBC-000	D1	32	5
11344-GW3-980	D12	43	5	14721-KVY-900	D5	36	10	17213-KZL-930	G11	80	4	19741-KZL-930	G11	80	15
11361-KVY-900	E2	49	4	14751-KWP-900	D5	36	11	17215-KZL-A00	G11	80	5	19742-KZL-930	G11	80	16
11395-KVY-901	D12	43	6	14771-GB4-680	D5	36	12	17218-KZL-A00	G11	80	6	19748-KZL-930	G11	80	17
12000				14775-KVY-900	D5	36	13	17225-KZL-A00	G11	80	7	19749-KVY-900	G11	80	18
12000				14781-MA6-000	D5	36	14	17234-KCW-871	G11	80	8	31000			
12000				15000				17235-KZL-A00	G11	80	9	31110-KZL-A01	D9	40	2
12100-KVY-900	D8	39	1	15100-KVB-900	D10	41	1	17253-KZL-A00	G11	80	10	31110-KZL-A02	D9	40	2
12191-KVY-901	D8	39	2	15133-KVY-900	D10	41	2	17254-KVY-900	G11	80	11	31120-KZL-A01	D9	40	3
12200-KVY-900	D3	34	1	15135-KVY-900	D10	41	3	17256-KZL-A00	D3	34	9	31120-KZL-A02	D9	40	3
12204-KVY-305	D3	34	2	15331-KVB-900	D10	41	4	17257-KVB-900	D3	34	10	31204-KG8-004	D11	42	4
12206-KPL-900	D3	34	3	15332-KVB-900	D10	41	5	17258-KVY-900	D3	34	11	31206-GW3-004	D11	42	5
12209-GB4-681	D5	36	1	15421-107-000	E3	50	7	17260-KFL-D00	G13	82	3	31210-KVY-961	D11	42	6
12251-KVY-901	D3	34	4	15421-KPL-900	E3	50	7	17260-KZL-A00	G10	79	4	31213-KEE-630	D11	42	7
12252-KYT-305	D3	34	4	15426-KVB-900	E3	50	8	17261-KVB-T00	G11	80	12	31500-KVB-T02	H5	90	1
12310-KVY-901	D2	33	1	15651-KZL-930	E2	49	5	17274-KZL-A00	G11	80	13	31600-KVB-N51	H6	91	5
12361-035-000	E3	50	6	15771-KV6-000	G11	80	1	17367-KZL-A00	G13	82	4	31916-KRM-841	D3	34	12
12391-KZL-A00	D2	33	2	16000				17368-KZL-A00	G13	82	5	31926-KRM-841	D3	34	12
13000				16000				17505-KZL-930	G10	79	5	31926-KYT-901	D3	34	12
13000-KZL-A00	E4	51	1	16010-KGF-911	E5	52	1	17510-KZL-A00	G10	79	6	31928-MFF-D01	D3	34	12
13011-KVY-700	E4	51	2	16012-KZL-732	E5	52	2	17525-KBN-900	G10	79	7	32000			
13021-KVY-700	E4	51	2	16013-KRP-981	E5	52	3	17575-KZL-A00	G10	79	8	32100-K39-M20	H6	91	6
13022-KVY-700	E4	51	2	16015-KVY-901	E5	52	4	17620-KGH-600	G10	79	9	32100-KZL-730	H6	91	6
13031-KVY-700	E4	51	2	16016-KRP-981	E5	52	5	17622-GB7-900	G13	82	6	32410-KZL-A01	D11	42	8
13032-KVY-700	E4	51	2	16028-KVB-901	E5	52	6	17630-KZL-A00	G10	79	10	32907-KVY-900	D9	40	4
13000				16000				17631-KEV-900	G10	79	11	32920-MN5-003	H2	87	1
13000-KZL-A00	E4	51	1	16010-KGF-911	E5	52	1	17635-KZL-A00	G10	79	12	32976-KZL-A00	D9	40	5
13011-KVY-700	E4	51	2	16012-KZL-732	E5	52	2	17910-KZL-730	F5	58	1	33000			
13012-KVY-700	E4	51	2	16013-KRP-981	E5	52	3	20000				22011-KVB-T00	D13	44	1
13021-KVY-700	E4	51	2	16015-KVY-901	E5	52	4	22100-KVY-900	D14	45	1	22100-KVY-900	D14	45	1
13031-KVY-700	E4	51	2	16016-KRP-981	E5	52	5	22102-KVY-900	D13	44	2	22105-KVY-900	D13	44	3
13032-KVY-700	E4	51	2	16028-KVB-901	E5	52	6	22109-KVY-900	D13	44	4	22110-KVY-900	D13	44	4
13000				16000				20000				22113-KVY-900	D13	44	6
13000-KZL-A00	E4	51	1	16010-KGF-911	E5	52	1	22123-KVY-900	D13	44	7	22131-KVY-900	D13	44	8
13011-KVY-700	E4	51	2	16012-KZL-732	E5	52	2	22350-KVY-900	D14	45	2	22401-KVY-900	D14	45	3
13012-KVY-700	E4	51	2	16013-KRP-981	E5	52	3	22535-KZL-A00	D14	45	4	22804-148-000	D14	45	5
13021-KVY-700	E4	51	2	16015-KVY-901	E5	52	4	23000				23100-KVY-901	D14	45	6
13022-KVY-700	E4	51	2	16016-KRP-981	E5	52	5	23200-KZL-A00	D14	45	7	23205-KVY-960	D14	45	7
13031-KVY-700	E4	51	2	16028-KVB-901	E5	52	6	23224-KVY-900	D14	45	8	23225-KSY-900	D14	45	9
13000				16000				23000				23226-KVB-900	D14	45	10
13000-KZL-A00	E4	51	1	16010-KGF-911	E5	52	1	23100-KVY-901	D14	45	6	33000			
13011-KVY-700	E4	51	2	16012-KZL-732	E5	52	2	23205-KVY-960	D14	45	7	33101-KZL-841	F2	55	1
13012-KVY-700	E4	51	2	16013-KRP-981	E5	52	3	23224-KVY-900	D14	45	8	33101-KZL-A01	F1	54	1
13021-KVY-700	E4	51	2	16015-KVY-901	E5	52	4	23225-KSY-900	D14	45	9	33000			
13022-KVY-700	E4	51	2	16016-KRP-981	E5	52	5	23226-KVB-900	D14	45	10	33000			
13031-KVY-700	E4	51	2	16028-KVB-901	E5	52	6	23000				33000			
13000				16000				23000				33000			



PART NO. INDEX

J 2

Part Number	Address	Page	Ref.	Part Number	Address	Page	Ref.	Part Number	Address	Page	Ref.	Part Number	Address	Page	Ref.	
33102-KZL-841	F2	55	2	35000	43450-KZL-941	F5	58	8	50302-KRS-830	F9	62	4	51520-KZL-732	G3	72	17
33113-KWR-003	F1	54	2		43455-KZL-930	F5	58	9	50306-GN5-900	F9	62	5	51520-KZL-E01	G3	72	17
	F2	55	3		35010-KZL-A00	H6	91	7	50310-KZL-730	H8	93	3				
	H1	86	1		35101-KZL-A01	H6	91	8	50350-KZL-C00	H8	93	4	52000			
33130-KZL-A01	F1	54	3		35109-KWW-A01	H6	91	9	50352-KVB-T00	H8	93	5	52400-KZL-931	G16	85	1
33301-KPH-W00	H2	87	2		35110-KWW-A01	H6	91	10	50381-KZL-A00	H5	90	2	52400-KZL-E01	G16	85	1
33301-KZL-931	H1	86	6		35121-KWW-A00	H6	91	11	50382-KZL-A00	H5	90	3	52485-KVY-901	G16	85	2
33301-SA0-741	H2	87	2		35160-KWW-A01	F5	58	3	50391-KVB-900	H5	90	7	52485-KWW-662	G16	85	2
33410-KZL-931	H1	86	2		35170-KWW-A02	F5	58	4	50500-KZL-C30	G15	84	3	52486-GA7-003	G16	85	3
33410-KZL-A01	H1	86	2		35180-KWW-A01	F5	58	5	50503-KVY-900	G15	84	4	52486-GGC-901	G16	85	3
33420-KZL-931	H1	86	3	35200-KWW-A01	F5	58	6	50504-KZL-930	G15	84	5					
33420-KZL-A01	H1	86	3	35340-KPH-901	F5	58	7		H4	89	10	53000				
33460-KZL-931	H1	86	4	35340-KWB-601	F6	59	1	50520-KVB-900	G15	84	6	53100-KZL-730	F7	60	1	
33460-KZL-A01	H1	86	4	35700-KZL-A01	G15	84	2	50530-KZL-930	G15	84	7	53140-KVB-900	F5	58	10	
33470-KZL-931	H1	86	5					50611-KZL-C00ZB	F13	66	1	53166-KVB-900	F5	58	11	
33470-KZL-A01	H1	86	5	37000				50710-KWB-600	F14	67	1	53167-KFM-900	F5	58	12	
33602-KZL-931	H2	87	3	37121-ML7-671	F3	56	3	50711-KBP-900	F14	67	2	53168-KFM-900	F5	58	13	
33602-KZL-A01	H2	87	3	37200-K39-M21	F3	56	4	50712-KBP-900	F14	67	3	53168-KFM-902	F5	58	13	
33652-KZL-931	H2	87	4	37200-KZL-A01	F3	56	4	50715-KE8-000	F14	67	4	53172-KZL-940	F5	58	14	
33652-KZL-A01	H2	87	4					51000				53173-GFM-970	F5	58	15	
33700-KZL-841	H2	87	5	37210-KZL-A01	F3	56	5	45108-KVB-T01	G4	73	5	53175-KRS-T80	F6	59	13	
33700-KZL-A01	H2	87	5	37211-KZL-931	F3	56	6	45111-MAJ-G41	G4	73	6	53178-KZL-940	F5	58	16	
33703-KZL-931	H2	87	6	37212-KZL-A01	F3	56	7	45126-KZL-A01	F6	59	2	53181-KZL-940	F5	58	17	
33703-KZL-A01	H2	87	6	37214-KZL-931	F3	56	8	45131-GZ0-006	G4	73	7	53182-KVB-900	F5	58	18	
33704-KZL-931	H2	87	7	37215-KS3-901	F3	56	9	45132-166-016	G4	73	8	53183-KVB-900	F5	58	19	
33705-KZL-931	H2	87	8	37224-K39-M21	F3	56	10	45133-MA3-006	G4	73	9	53205-KZL-A00ZM	F7	60	2	
33706-KZL-931	H2	87	9	37224-KZL-A01	F3	56	10	45150-KZL-A01	G4	73	10	53205-KZL-A00ZN	F7	60	2	
33710-KZL-931	H2	87	10	37305-KE5-008	F3	56	11	45150-KZL-A02	G4	73	10	53205-KZL-A00ZP	F7	60	2	
33710-KZL-A01	H2	87	10	37800-KZL-A01	G10	79	13	45156-KZL-940	F6	59	3	53205-KZL-A00ZQ	F7	60	2	
33715-GB0-900	D1	32	6	37801-GA7-700	G10	79	14	45157-KZL-940	F6	59	4	53205-KZL-A00ZR	F7	60	2	
33720-KZL-931	H2	87	11	37802-KTL-740	G10	79	15	45190-KZL-A01	G4	73	11	53205-KZL-A00ZS	F7	60	2	
33720-KZL-A01	H2	87	11					45215-KPH-951	G4	73	12	53205-KZL-A00ZT	F7	60	2	
33721-KZL-931	H2	87	12	38000				45216-166-006	G4	73	13	53206-KZL-730ZA	F7	60	3	
33722-KWN-901	H2	87	12	38110-KZL-731	H6	91	12	45218-KWB-601	G4	73	14	53206-KZL-730ZB	F7	60	3	
33723-KTT-901	H3	88	24	38301-GBG-911	H6	91	13	45351-KVB-931	G5	74	10	53209-GAH-000	F1	54	5	
33729-KPH-W00	H2	87	13	38306-GE7-000	H6	91	14	45351-KVB-961	G5	74	10		F2	55	5	
33729-MCZ-003	H2	87	13	38501-KPH-901	H6	91	15	45351-KVB-S01	G5	74	10	53211-GN5-900	F9	62	6	
33741-KTG-U01	H4	89	9	38501-KVB-901	H6	91	15	45351-KVB-S02	G5	74	10	53211-KRS-830	F9	62	6	
33741-MS6-921	H4	89	1	38506-KVB-901	H6	91	16	45451-471-000	F10	63	1	53212-GN5-900	F9	62	7	
				38506-KZL-A01	H6	91	16	45504-410-003	F6	59	5	53212-KRS-830	F9	62	7	
34000								45510-KZL-A01	F6	59	6	53214-GN5-900	F9	62	8	
34901-KPH-901	F1	54	4	42000				45512-MA6-006	F6	59	7	53219-K39-M20	F9	62	9	
34901-KZL-841	F2	55	4	42650-KZL-930ZA	G7	76	2	45513-HA2-006	F6	59	8	53219-KZL-C00	F9	62	9	
34906-447-711	H2	87	14	42650-KZL-930ZD	G7	76	2	45520-GE2-006	F6	59	10	53220-GN5-850	F9	62	9	
34906-GB6-921	H2	87	14	42711-KZL-731	G7	76	3	45520-MG7-006	F6	59	10					
34907-KZL-931	H3	88	15	42711-KZL-931	G7	76	3	45521-HA2-006	F6	59	11	61000				
34907-KZL-A01	H3	88	15	42753-KBN-902	G5	74	1	45530-KVY-911	F6	59	12	61100-KZL-930A2	F10	63	2	
34908-GA7-701	F3	56	1									61100-KZL-930A3	F10	63	2	
34908-KVE-900	F3	56	2									61100-KZL-930YH	F10	63	2	
34908-KZL-A01	H1	86	6	43000								61100-KZL-930YJ	F10	63	2	
34908-MB9-871	F3	56	2	43141-KZL-940	G7	76	5	50100-KZL-730	H8	93	1	61100-KZL-930YK	F10	63	2	
34909-KVR-600	F3	56	1	43151-329-000	G7	76	6	50201-KZL-C00	H8	93	2	61100-KZL-930YL	F10	63	2	
34910-KWW-C01	H3	88	15	43352-568-003	G4	73	3	50301-GN5-901	F9	62	3	61100-KZL-930YM	F10	63	2	
34910-KZL-931	H1	86	7	43353-461-771	G4	73	4	50301-KRS-830	F9	62	3					
34910-KZL-A01	H1	86	7	43410-KVB-900	G7	76	7	50302-GN5-900	F9	62	4	51520-K16-911	G3	72	17	
												51500-K39-M01	G3	72	17	
												51500-KZL-732	G2	71	16	
												51500-KZL-732	G2	71	16	
												51500-KZR-701	G2	71	16	
													G3	72	16	
														72	17	
															72	17

4

PART NO. INDEX

J 4

Part Number	Address	Page	Ref.	Part Number	Address	Page	Ref.	Part Number	Address	Page	Ref.	Part Number	Address	Page	Ref.
90501-124-000	G13	82	15	91251-KPH-901	G6	75	14		F13	66	10	95701-06022-00	D7	38	10
90501-KBN-900	G7	76	11	91255-KVB-901	D16	47	15		F16	69	5		E2	49	13
90501-KPH-880	F7	60	7	91255-KVB-902	D16	47	15		G10	79	16	95701-06030-00	E1	48	19
90505-KPH-880	F7	60	8	91256-KK3-840	F3	56	15		H1	86	10	95701-06040-00	E1	48	20
90543-MV9-670	D2	33	4	91258-KM1-004	G6	75	15		H3	88	22	95701-06055-00	E2	49	14
90544-283-000	G3	72	19	91301-GR0-004	D7	38	8	93903-35220	F12	65	14	95701-06080-00	E2	49	15
90544-KRF-H71	G3	72	19	91302-001-020	E3	50	14		H1	86	11	95701-06085-07	E2	49	16
90545-300-000	F6	59	16	91306-MG3-000	D7	38	9	93903-35320	F3	56	16	95701-06100-00	D3	34	21
90601-KZL-930	D12	43	8	91307-035-000	E2	49	10		H3	88	23	95701-06115-00	E2	49	17
90651-MA5-671	F6	59	17	91307-639-000	E2	49	11					95701-08012-00	E3	50	16
90656-GCC-000ZC	G8	77	17	91309-KEE-630	D11	42	9	94000					H7	92	20
90666-SDA-A01	F12	65	11	91351-642-000	D14	45	21					95701-08022-00	G9	78	23
90677-KAN-T00	H5	90	5	91351-GR1-000	D14	45	22	94030-12200	D15	46	23	95701-08025-00	G15	84	16
90678-MN5-000	G13	82	16	91356-GMO-003	G3	72	20	94030-14200	D13	44	18	95701-08025-07	G15	84	16
90683-GAZ-003	F12	65	12	91356-KWW-662	G3	72	20	94050-06000	D3	34	20	95701-08045-08	H8	93	11
	F13	66	6	91422-GFM-970	F8	61	9		F6	59	20	95701-10040-07	G14	83	7
	H1	86	8					94050-10000	G13	82	18	95801-06016-02	G14	83	8
	H4	89	7	92000				94101-06000	D9	40	8	95801-08032-00	G16	85	6
90683-GAZ-980	F12	65	12					94101-08000	F14	67	5	95801-10045-08	F9	62	11
	F13	66	6	92201-10090-OH	G16	85	4	94101-10000	G9	78	20	96000			
	H1	86	8	92900-06012-0B	D3	34	17	94101-10800	G16	85	5				
	H4	89	7	92900-06028-0B	D3	34	18	94101-10800	G15	84	12				
90683-GFC-T11	F12	65	12					94109-12000	E2	49	12	96001-06016-00	D9	40	10
	F13	66	6	93000				94201-16150	F14	67	6	96001-06020-00	D9	40	11
	H1	86	8					94201-16180	G9	78	21	96001-06022-00	F6	59	22
	H4	89	7	93401-06012-08	F13	66	7	94201-30200	G15	84	13	96001-06025-00	D1	32	9
90701-KFM-900	D3	34	16	93401-06020-00	F5	58	22	94510-20000	D16	47	16	96001-06035-00	D11	42	12
	D8	39	3	93404-06010-00	G8	77	18	94511-16000	D13	44	19		D12	43	14
90702-KFM-900	D10	41	7	93404-06012-00	F13	66	8	94520-28000	D15	46	24	96001-06085-00	D12	43	15
	D12	43	9		H1	86	9	94520-52150	E3	50	15	96100-63010-00	E3	50	17
	D16	47	10		H4	89	8					96100-63020-00	E3	50	18
90702-KZL-930	E2	49	8	93404-06020-00	D1	32	7	95000				96220-30168	D10	41	9
90741-KVY-900	E4	51	6	93404-06020-07	F13	66	9	95002-02070	G10	79	17	98000			
				93404-06030-00	G13	82	17		G13	82	19				
91000				93404-06040-08	G11	80	20	95002-02080	G10	79	18	98200-41000	H7	92	21
				93406-08040-00	G9	78	19	95002-02089	E6	53	29	98200-41500	H7	92	22
91002-KVY-901	E3	50	11	93500-04008-1H	E5	52	24	95002-02130	G11	80	24				
91002-KZL-A01	E3	50	11	93500-04012-0H	E5	52	25	95002-41200-08	G12	81	25	99000			
91005-KVB-N50	D12	43	10	93500-05025-0A	F5	58	23	95002-50000	D16	47	17				
91005-KVB-S50	D12	43	10	93500-05025-0H	D3	34	19	95002-80000	D12	43	13	99001-08120	H9	94	6
91007-KVB-902	D16	47	11	93600-04012-1G	F6	59	18		G12	81	26	99001-10140	H9	94	3
91007-KVB-S51	D16	47	11	93891-05010-07	H5	90	6	95005-12150-20	G13	82	20	99101-KTB-0980	E6	53	31
91009-KVB-902	D16	47	12	93892-04006-08	D11	42	10	95005-12190-20	G13	82	21				
91009-KVY-961	D14	45	18	93892-04008-18	E6	53	26	95005-45240-50	E6	53	30				
91009-KZL-931	D16	47	12	93892-05012-18	E6	53	27	95011-61000	G15	84	14				
91015-KVB-901	D16	47	13	93892-05014-18	E6	53	28	95014-72102	G15	84	15				
91052-KVB-901	G6	75	13	93892-05016-08	D11	42	11	95015-32001	G7	76	12				
91052-KVB-S51	G6	75	13	93893-04012-17	F6	59	19	95015-42000	G7	76	13				
91052-KWB-601	G6	75	13	93901-24480	H3	88	19	95015-81000	F14	67	7				
91104-GGC-901	D16	47	13	93901-34120	D10	41	8	95701-06012-00	F6	59	21				
91109-KVY-901	D14	45	19	93901-34420	H3	88	20		G9	78	22				
91109-KVY-902	D14	45	19	93901-34480	H3	88	21		G10	79	19				
91201-434-003	D16	47	14	93903-25380	D1	32	8		G13	82	22				
91201-GCC-771	E2	49	9		G11	80	21		H7	92	18				
91202-KJ9-003	E3	50	12	93903-25480	G11	80	22	95701-06014-00	E1	48	18				
91202-KVB-901	E3	50	13	93903-34120	D12	43	12	95701-06016-00	D9	40	9				
91211-GK8-013	D14	45	20	93903-34310	G11	80	23	95701-06018-00	G13	82	23				
91211-PE9-003	D12	43	11	93903-34480	F8	61	10	95701-06020-00	H7	92	19				
91212-K44-V01	D12	43	11		F12	65	13								

PART NAME INDEX

K 2

Part name	Address	Page	Ref.	Part name	Address	Page	Ref.	Part name	Address	Page	Ref.
CASE COMP., TRANSMISSION	D16	47	4	COLLAR, RUBBER BUSH UPPER	G16	85	3	DUCT, AIR CLEANER	G11	80	5
CASE SUB ASSY., AIR CLEANER ..	G11	80	7	COLLAR, SEAL	D14	45	12	DUCT, L. COVER	G11	80	15
CASE, BATTERY	H5	90	2	COLLAR, SPRING	D14	45	13	DUST SEAL, 21X37X7	G6	75	14
CASE, L. BOTTOM	G3	72	17	COLLAR, TAILLIGHT SETTING	D1	32	6	DUST SEAL, STEERING HEAD	F9	62	8
CASE, R. BOTTOM	G2	71	7	CORD COMP., L. FR. WINKER	H1	86	4				
CATCH COMP., SEAT	G8	77	6	CORD COMP., R. FR. WINKER	H1	86	2	[E]			
CHAIN, CAM	D7	38	1	COTTER, VALVE	D5	36	14	ELEMENT COMP., AIR CLEANER	G11	80	3
CHAMBER SET, FLOAT	E5	52	4	COVER COMP., CYLINDER HEAD	D2	33	1	E-RING, 3MM	F5	58	2
CIRCLIP	F6	59	17	COVER COMP., FAN	D1	32	1				
CIRCLIP, 6MM	D14	45	17	COVER COMP., LICENSE	H2	87	12	[F]			
CIRCLIP, EXTERNAL, 16MM	D13	44	19	COVER COMP., L.	D12	43	2				
CIRCLIP, EXTERNAL, 20MM	D16	47	16	COVER COMP., L. SIDE	D12	43	2	FACE COMP., MOVABLE DRIVE	D13	44	5
CIRCLIP, INTERNAL, 28MM	D15	46	24	COVER SET, FR.	F11	64	1	FACE SET, DRIVEN	D14	45	7
CIRCLIP, INTERNAL, 32MM	D12	43	8	COVER SET, L. BODY	F15	68	3	FACE SET, MOVABLE DRIVEN	D14	45	8
CIRCLIP, INTERNAL, 52MM	E3	50	15		F16	69	3	FACE, DRIVE	D13	44	2
CLAMP	F3	56	3	COVER SET, L. FR. SIDE	F12	65	4	FAN COMP., COOLING	D9	40	1
				COVER SET, R. BODY	F15	68	2	FENDER A, RR.	H4	89	3
CLAMPER A, BRAKE HOSE	F6	59	3	COVER SET, R. FR. SIDE	F11	64	3	FENDER B, RR.	H4	89	4
CLAMPER B, BRAKE HOSE	F6	59	4		F12	65	3	FENDER, FR.	F10	63	2
CLAMPER, DRAIN TUBE	D12	43	7	COVER SUB ASSY., AIR CLEANER ..	G11	80	9	FILTER COMP., AIR	G13	82	3
CLAMPER, RR. BRAKE CABLE	F5	58	9	COVER, CENTER	F15	68	1	FIN, DRIVE FACE	D13	44	6
CLAMP, CORD	H2	87	1	COVER, COMBINATION SWITCH	F12	65	7	FLOAT SET	E5	52	3
CLAMP, TUBE	G12	81	25	COVER, FR. HANDLE	F7	60	2	FLYWHEEL COMP.	D9	40	2
	G13	82	14	COVER, FR. LOWER	F11	64	2	FORK ASSY., L. FR.	G2	71	16
CLIP, A.C. GENERATOR CORD	D9	40	4	COVER, FUEL TANK	G10	79	8		G3	72	16
CLIP, FUEL HOSE	G13	82	16	COVER, HANDLE RR.	F7	60	3	FORK ASSY., R. FR.	G1	70	1
CLIP, HEADLIGHT	F1	54	5	COVER, INNER LOWER	F12	65	8	FUEL UNIT	G10	79	13
	F2	55	5	COVER, INNER UPPER	F12	65	5	FUSE, MINI	H7	92	21
CLIP, OIL DRAIN TUBE	G11	80	1	COVER, L. FLOOR SIDE	F13	66	4				22
	G13	82	1	COVER, L. FR. SIDE	F12	65	16	[G]			
CLIP, PISTON PIN, 13MM	E4	51	5	COVER, L. RR. WINKER	H3	88	17	GASKET SET	E5	52	1
CLIP, SNAP FITTING	F12	65	11	COVER, OIL PUMP	E2	49	4	GASKET, AIR FEED PIPE	G13	82	11
CLIP, TRIM	F12	65	12	COVER, RUBBER	F2	55	2	GASKET, BYSTARTER	E5	52	23
	F13	66	6	COVER, R. FLOOR SIDE	F13	66	3	GASKET, CARBURETOR INSULATOR ..	D3	34	5
	H1	86	8	COVER, R. FR. SIDE	F12	65	15	GASKET, CYLINDER	D8	39	2
	H4	89	7	COVER, R. RR. WINKER	H3	88	16	GASKET, CYLINDER HEAD	D3	34	4
CLIP, TUBE	D12	43	13	COVER, UNDER	F13	66	1	GASKET, EX. PIPE	G14	83	1
	D16	47	17	COVER, VENT HOLE	D12	43	1	GASKET, FLOAT CHAMBER	E5	52	18
	E6	53	29	CRANKCASE COMP., L.	E3	50	2	GASKET, HEAD COVER	D2	33	2
	G10	79	17	CRANKCASE COMP., R.	E2	49	1	GASKET, L. COVER	D12	43	6
				CRANKSHAFT COMP.	E4	51	1	GASKET, MISSION CASE	D16	47	5
	G11	80	24	CUSHION ASSY., RR.	G16	85	1	GASKET, TENSIONER LIFTER	D7	38	5
	G12	81	26	CUSHION A, BATTERY	H5	90	7	GAUGE, OIL LEVEL	E2	49	5
	G13	82	19	CUSHION, C.D.I. UNIT	H6	91	1	GEAR COMP., FINAL	D16	47	9
CLIP, VALVE GUIDE	D3	34	3	CYLINDER COMP.	D8	39	1				
COCK ASSY., FUEL AUTO	G10	79	1	CYLINDER SET, MASTER	F6	59	12	GEAR COMP., KICK STARTER			
COIL ASSY., IGNITION	H6	91	3	CYLINDER SUB ASSY., FR. MASTER	F6	59	6	SPINDLE	D13	44	10
COLLAR	D3	34	10	C.D.I. UNIT	H6	91	2	GEAR, COUNTER	D16	47	8
	G11	80	14	[D]				GEAR, OIL PUMP DRIVEN	D10	41	2
COLLAR A, HANDLE SETTING	F7	60	7	DIAPHRAGM	F6	59	10	GEAR, SPEEDOMETER	G5	74	8
COLLAR B, HANDLE SETTING	F7	60	8	DISK, FR. BRAKE	G5	74	10	GRIP	H9	94	2
COLLAR, AIR CLEANER SETTING ..	G11	80	2	DOWEL PIN, 8X12	D10	41	7	GRIP COMP., THROTTLE	F5	58	10
COLLAR, FR. DISTANCE	G5	74	4		D12	43	9	GRIP, L. HANDLE	F5	58	11
COLLAR, FR. WHEEL SIDE	G5	74	3	DOWEL PIN, SPECIAL, 8X14	D3	34	16	GRIP, RR.	G8	77	11
COLLAR, KICK BOSS	D13	44	13		D8	39	3	GROMMET, AIR CLEANER CASE	H8	93	7
COLLAR, MAIN STAND SHAFT	G15	84	5	DRIVER, SCREW	H9	94	1	GROMMET, SIDE COVER	H4	89	5
	H4	89	10					GROMMET, WIRE	F10	63	1
COLLAR, MUFFLER PROTECTOR	G14	83	4								
COLLAR, RUBBER BUSH	G16	85	3								

PART NAME INDEX

K 3

Part name	Address	Page	Ref.	Part name	Address	Page	Ref.	Part name	Address	Page	Ref.
GUIDE, CAM CHAIN	D7	38	6	[M]				0-RING, 10X1.5	F3	56	15
GUIDE, VALVE	D3	34	2	MARK	H16	101	11	0-RING, 15.2X1.5	D7	38	8
[H]				MARK, BATTERY CAUTION	H10	95	3	0-RING, 15.8X2.4	G3	72	20
HARNES, WIRE	H6	91	6	MARK, FR.	H15	100	6	0-RING, 15.8X2.85	G3	72	20
HEADLIGHT UNIT	F1	54	1	MARK, HONDA	H12	97	9	0-RING, 18X3	E2	49	10
	F2	55	1		H15	100	1	0-RING, 1.3X4.3	E5	52	10
HEAD COMP., CYLINDER	D3	34	1		H15	100	1	0-RING, 1.5X9.5	D7	38	9
HOLDER COMP., STARTER PINION	D11	42	3	MAT, LUGGAGE BOX	G8	77	12	0-RING, 30.8MM	E3	50	14
HOLDER, MASTER CYLINDER	F6	59	9	METER ASSY., COMBINATION	F3	56	4	0-RING, 38.5X2	D14	45	22
HOLDER, NEEDLE JET	E5	52	19	MIRROR COMP., L.	F4	57	5	0-RING, 64X2	E2	49	11
HOOK, LUGGAGE	F12	65	6	MIRROR COMP., R.	F4	57	4	0-RING, 9.0X1.3	G10	79	3
HORN COMP.	H6	91	12	MOTOR UNIT, STARTER	D11	42	6	0-RING, PINION CAP	D14	45	21
HOSE COMP., FR. BRAKE	F6	59	2	MUFFLER COMP., EX.	G14	83	3	OUTER COMP., CLUTCH	D14	45	1
HOSE, AIR INJECTION	G13	82	12	[N]							
HOUSING, UNDER THROTTLE	F5	58	13	NEEDLE SET, JET	E5	52	2	PACKING	D11	42	5
HOUSING, UPPER THROTTLE	F5	58	12	NUT B, BRAKE ROD ADJUSTING	G7	76	13	PACKING, BASE	G10	79	14
[I]				NUT, CAP, 6MM	G14	83	6	PACKING, FUEL FILLER CAP	G10	79	11
INSULATOR, CARBURETOR	D3	34	8	NUT, CLIP, 5MM	H5	90	5	PACKING, LENS	H2	87	13
[J]				NUT, FLANGE, 10MM	D9	40	8	PAD SET, FR. BRAKE	G4	73	2
JET, MAIN, #98	E6	53	31	NUT, FLANGE, 6MM	D3	34	20	PIECE SET, SLIDE	D13	44	1
JET, SLOW, #35	E5	52	20		F6	59	20	PINION ASSY., STARTER	D11	42	2
JOINT B, BRAKE ARM	G7	76	12	NUT, HEX., 12MM	D15	46	23	PIN A, PILLION STEP	F14	67	7
JOINT, 3WAY	G13	82	2	NUT, HEX., 14MM	D13	44	18	PIN, HANGER	G4	73	12
JOINT, FUEL TUBE	G10	79	7	NUT, HEX., 7MM	D3	34	14	PIN, PARKING LEVER PIVOT	F5	58	19
[K]				NUT, LOCK	F4	57	6	PIN, PISTON	E4	51	4
KEY SET	H6	91	7	NUT, SIDE STAND	G15	84	11	PIN, ROLLER GUIDE	D14	45	9
KEY SET, SHUTTER	H6	91	10	NUT, SPECIAL, 28MM	D14	45	14	PIN, SEAT HINGE	G8	77	5
KEY, BLANK	H6	91	11	NUT, SPRING, 4MM	F7	60	5	PIN, SPECIAL DOWEL, 6.3X10X12	E2	49	8
KEY, SEAT LOCK	G8	77	8		F12	65	10	PIN, SPLIT, 1.6X15	F14	67	6
KEY, WOODRUFF	E4	51	6		F13	66	5	PIN, SPLIT, 1.6X18	G9	78	21
[L]					F16	69	4	PIN, SPLIT, 3.0X20	G15	84	13
LABEL, AIR CLEANER ELEMENT	H10	95	4	NUT, SQUARE, 5MM	D3	34	6	PIPE COMP., AIR FEED	G13	82	10
LABEL, DRIVE CAUTION	H10	95	5	NUT, STEERING STEM LOCK	F9	62	5	PIPE COMP., FR. FORK	G1	70	3
LABEL, MAINTENANCE CAUTION	H10	95	6	NUT, TAPPET ADJUSTING	D5	36	17	PIPE COMP., STEERING HANDLE	F7	60	1
LABEL, REPLACEMENT INFORMATION	H10	95	1	NUT, U, 10MM	F7	60	6	PIPE, CP	F1	54	2
LABEL, TIRE	H10	95	2		H8	93	10		F2	55	3
LENS	F3	56	6	NUT, U, 12MM	G5	74	12	PIPE, INLET	D3	34	7
LENS, L. WINKER	H2	87	4	NUT, U, 16MM	G7	76	10	PIPE, SEAT	G2	71	14
LENS, R. WINKER	H2	87	3	NUT, U, 5MM	F5	58	21	PISTON	E4	51	3
LENS, TAILLIGHT	H2	87	6		H3	88	18		G4	73	14
LEVER COMP., BRAKE LOCK	F5	58	17	NUT, U, 6MM	H4	89	6	PISTON COMP., VACUUM	E5	52	13
LEVER, L. STEERING HANDLE	F5	58	16		H4	89	12	PIVOT, CAM CHAIN TENSIONER	D7	38	4
LEVER, R. STEERING HANDLE	F6	59	13	[O]				PLATE COMP., DRIVE	D14	45	2
LIFTER ASSY., TENSIONER	D7	38	3	OIL SEAL, 14X20X3.2	D16	47	14	PLATE SET, VALVE	E5	52	7
LIGHT ASSY., LICENSE	H2	87	11	OIL SEAL, 16X26X6	D12	43	11	PLATE, A.C. GENERATOR CORD	D9	40	5
LIGHT ASSY., RR. COMBINATION	H2	87	5	OIL SEAL, 16X26X7	E2	49	9	PLATE, DIAPHRAGM	F6	59	11
LIGHT UNIT, RR. COMBINATION	H2	87	10	OIL SEAL, 20X32X6	E3	50	12	PLATE, L. COVER	D12	43	3
LINK ASSY., ENGINE HANGER	H8	93	4	OIL SEAL, 20.8X52X6X7.5	E3	50	13	PLATE, MISSION BEARING SETTING	D16	47	1
				OIL SEAL, 29X44X7	D16	47	15	PLATE, PILLION STEP SIDE	F14	67	4
				OIL SEAL, 34X39X3	D14	45	20	PLATE, PLUNGER	D3	34	15
				0-RING	D11	42	9	PLATE, RAMP	D13	44	8
								PLATE, RR. FENDER SPLASH GUARD	H4	89	2
								PLATE, SETTING	E5	52	15
								PLUG, HOLE	G8	77	17
								PLUG, SPARK	D3	34	12
								PLUNGER, CAM SETTING	D5	36	3



PART NAME INDEX

K 4

Part name	Address	Page	Ref.	Part name	Address	Page	Ref.	Part name	Address	Page	Ref.
PROTECTOR	F6	59	7	SCREW, BLEEDER	G4	73	3	SPANNER, 10X14	H9	94	3
PROTECTOR, MUFFLER	G14	83	5	SCREW, FLAT, 4X12	F6	59	18	SPANNER, 8X12	H9	94	6
PUMP ASSY., OIL	D10	41	1	SCREW, HANDLE LEVER PIVOT	F5	58	20	SPEEDOMETER COMP.	F3	56	5
[R]				SCREW, PAN, 4X12	E5	52	25	SPINDLE COMP., KICK STARTER...	D13	44	11
RACE, STEERING BOTTOM BALL ...	F9	62	4	SCREW, PAN, 4X8	E5	52	24	SPRING A, SIDE STAND	G15	84	15
RACE, STEERING BOTTOM CONE ...	F9	62	7	SCREW, PAN, 5X25	D3	34	19	SPRING, BRAKE SHOE	G7	76	6
RACE, STEERING TOP BALL	F9	62	3		F5	58	23	SPRING, CARBON BRUSH	D11	42	4
RACE, STEERING TOP CONE	F9	62	6	SCREW, PAN, 6X6	D7	38	7	SPRING, CLUTCH	D14	45	3
RATCHET, STARTER	D13	44	4	SCREW, SPECIAL PAN, 5MM	F8	61	9	SPRING, COMPRESSION COIL	E5	52	9
RECTIFIER COMP., REGULATOR ...	H6	91	5	SCREW, TAPPET ADJUSTING	D5	36	15	SPRING, DRIVEN FACE	D14	45	11
REFLECTING ASSY., PLATE	F3	56	8	SCREW, TAPPING, 4X12	G11	80	23	SPRING, FR. FORK	G1	70	2
REFLECTOR, FR. REFLEX	H4	89	9	SCREW, TAPPING, 4X14	F3	56	14	SPRING, KICK DRIVEN GEAR	D13	44	9
REFLECTOR, REFLEX	H4	89	1	SCREW, TAPPING, 4X16	F8	61	10	SPRING, KICK RETURN	D13	44	14
RELAY COMP., STARTER	H6	91	15		F12	65	13	SPRING, LEVER RETURN	F5	58	18
RELAY COMP., WINKER	H6	91	13		F13	66	10	SPRING, LOCK KEY SETTING	G8	77	1
RETAINER, FUEL UNIT	G10	79	15		F16	69	5	SPRING, MAIN STAND	G15	84	6
RETAINER, VALVE SPRING	D5	36	12		G10	79	16	SPRING, OIL FILTER SCREEN	E3	50	8
RING SET, PISTON	E4	51	2		H1	86	10	SPRING, PAD	G4	73	5
RING, BACK UP	G1	70	5		H3	88	19	SPRING, PLUNGER	D5	36	4
RING, OIL SEAL STOPPER	G2	71	13	SCREW, TAPPING, 4X8	D10	41	8	SPRING, REBOUND	G1	70	4
RING, PISTON	G2	71	9		D12	43	12	SPRING, RR. BRAKE ARM	G7	76	8
RING, STOPPER	G2	71	12	SCREW, TAPPING, 5X12	F12	65	14	SPRING, SEAT LOCK	G8	77	7
	G4	73	6		H1	86	11	SPRING, VALVE	D5	36	11
ROLLER SET, WEIGHT	D13	44	7		D12	43	12	SPROCKET, CAM	D5	36	5
ROLLER, 3X16.8	D10	41	9	SCREW, TAPPING, 5X16	D1	32	8	STAND COMP., MAIN	G15	84	3
ROLLER, GUIDE	D14	45	10		F3	56	16	STATOR COMP.	D9	40	3
ROTOR, OIL PUMP INNER	D10	41	4		G11	80	21	STAY COMP., FR. COVER	H8	93	3
ROTOR, OIL PUMP OUTER	D10	41	5		H3	88	23	STAY, AIR SUCTION VALVE	G13	82	8
RUBBER A, STAND STOPPER	G15	84	14	SCREW, TAPPING, 5X20	G11	80	22	STAY, RR. SIDE REFLECTOR	H4	89	11
RUBBER C, SEAT SETTING	G8	77	4	SCREW, U-LOCK FLAT, 6X12	H7	92	17	STAY, SEAT LOCK CABLE	G8	77	10
RUBBER, CLUTCH DAMPER	D14	45	5	SEAL A, PACKING	H2	87	7	STAY, WIRE	E5	52	14
RUBBER, CUSHION	G13	82	6	SEAL B, PACKING	H2	87	8	STEM SUB ASSY., STEERING	F9	62	9
RUBBER, FRAME UNDER	H8	93	2	SEAL C, PACKING	H2	87	9	STEP, FLOOR	F13	66	2
RUBBER, LINK STOPPER	H8	93	5	SEAL SET, FR. FORK	G2	71	15	STRIPE A, L. BODY COVER	H11	96	6
RUBBER, MOUNTING	D1	32	5	SEAL SET, PISTON	G4	73	1		H12	97	6
	D2	33	4	SEAL, AIR CLEANER	G11	80	4	STRIPE A, R. BODY COVER	H11	96	5
RUBBER, PILLION STEP	F14	67	1	SEAL, DUCT	G11	80	17		H15	100	7
RUBBER, PROTECTOR PACKING	G14	83	2	SEAL, DUST	G2	71	8	STRIPE B, L. BODY COVER	H12	97	8
RUBBER, SCREEN SETTING	H8	93	6	SEAL, L. DUCT COVER	G11	80	18		H16	101	10
RUBBER, SEAL	G8	77	2	SEAL, SHROUD	D1	32	3	STRIPE B, R. BODY COVER	H12	97	7
RUBBER, STARTER PINION HOLDER	D12	43	5	SEAL, SHROUD	D1	32	3		H15	100	9
				SEAL, SPEEDOMETER GEAR BOX ...	G6	75	15	STRIPE, FR. COVER	H13	98	3
[S]				SEAL, VALVE STEM	D5	36	1	STRIPE, L. BODY COVER	H14	99	5
SCREEN SET, FUEL STRAINER	G10	79	2	SEAT B, SPRING	G2	71	10	STRIPE, L. FR. COVER	H11	96	4
SCREEN, OIL FILTER	E3	50	7	SEAT COMP., DOUBLE	G8	77	3		H15	100	5
SCREW-WASHER, 3X22	F3	56	11	SEAT, VALVE SPRING	D5	36	13	STRIPE, L. FR. SIDE	H11	96	2
SCREW-WASHER, 4X12	F6	59	19	SHAFT COMP., OIL PUMP	D10	41	3	STRIPE, L. FR. SIDE COVER	H13	98	2
SCREW-WASHER, 4X6	D11	42	10	SHAFT, COUNTER	D16	47	7		H15	100	3
SCREW-WASHER, 4X8	E6	53	26	SHAFT, DRIVE	D16	47	6	STRIPE, R. BODY COVER	H13	98	4
SCREW-WASHER, 5X10	H5	90	6	SHAFT, EX. ROCKER ARM	D5	36	8		H14	99	4
SCREW-WASHER, 5X12	E6	53	27	SHAFT, MAIN STAND	G15	84	4	STRIPE, R. FR. COVER	H11	96	3
SCREW-WASHER, 5X14	E6	53	28	SHOE SET, BRAKE	G7	76	1		H15	100	4
SCREW-WASHER, 5X16	D11	42	11	SHROUD, EX.	D1	32	4	STRIPE, R. FR. SIDE	H11	96	1
SCREW-WASHER, SPECIAL, 4X10 ..	F3	56	13	SHROUD, IN.	D1	32	2	STRIPE, R. FR. SIDE COVER	H13	98	1
SCREW SET A	E5	52	5	SLEEVE, RR. BRAKE CAM	D16	47	2		H15	100	2
SCREW SET B	E5	52	6	SOCKET ASSY., HEADLIGHT	F3	56	10	SUB CORD, STARTER MOTOR	D11	42	8
				SOCKET COMP., HEADLIGHT	F1	54	3	SUSPENSION, STARTER RELAY	H6	91	16
					F3	56	10	SUSPENSION, WINKER RELAY	H6	91	14

1

FOREWORD INDEX

2

ENGINE GROUP

3

FRAME GROUP

4

PART NUMBER INDEX

5

PART NAME INDEX

HONDA
The Power of Dreams