



PARTS CATALOGUE

T150 (B171) MALAYSIA



1RB17-440E1

()

T150
PARTS CATALOGUE
©2015 by Yamaha Motor Co., Ltd.
1st edition, June 2015
All rights reserved.
Any reprinting or unauthorized use
without the written permission of
Yamaha Motor Co., Ltd.
is expressly prohibited.
Printed in Japan.

FOREWORD

This Parts Catalogue is related to the parts for the model(s) on the cover page. When you are ordering replacement parts, please refer to this Parts Catalogue and quote both part numbers and part names correctly.

1. Modifications or additions which have been made after the issue of the Parts Catalogue will be announced in the Parts News.

It is advisable that you make the necessary corrections to the Parts Catalogue according to the Parts News.

2. Abbreviations

The following abbreviations are used in this Parts Catalogue.

“UR” Use specified parts number.

“UN” Use as many as needed.

“AP” Alternate Parts

“LM” Locally Made (Parts need to be ordered locally)

“F#” Frame No. (Applicable machine No.)

“O/S” Over Size

3. The number of components for assembly

- Parts, which are to be supplied in an assembly, are listed with a dot (.) in front of the part name as shown below.
- The numeral appearing to the right of each component part indicates the quantity of parts for each assembly unit.

PART NO.	DESCRIPTION	Q'TY	REMARKS
2F5-83310-60	FRONT FLASHER LIGHT ASSY	2	
115-83311-60	.BULB (6V-18W)	1	

4. Applicable colours of graphics are represented in the “REMARKS” as shown below.

PART NO.	DESCRIPTION	Q'TY	REMARKS
2N4-24110-00-X5	FUEL TANK COMP.	2	MXR
3J1-24240-10	.GRAPHIC, FUEL TANK	1	FOR MXR

5. Note that the illustrations for reference in finding parts numbers are not to be used for assembling. When assembling, please use the applicable service manual.

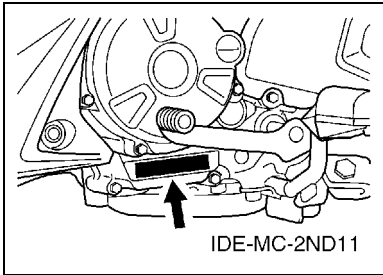
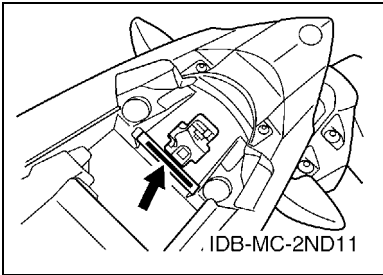
6. The asterisk (*) before a reference number indicates modified items after the first edition.

FOREWORD

7. Applicable Serial No.

Frame Serial No.

Engine Serial No.



8. Applicable Colour Code (The (*) mark shows Model colour.)

Abbreviation	Colour Name	Colour Code
DBNM8(*)	DARK BLUISH GRAY METALLIC 8	0919
DNPM1	DARK GRAYISH PURPLE METALLIC 1	0740
MBL2	MAT BLACK 2	0582
RM7(*)	RED METALLIC 7	1218
S3(*)	SILVER 3	0791
S8	SILVER 8	0895
SMX(*)	BLACK METALLIC X	0903
VPBC5	VIVID PURPLISH BLUE COCKTAIL 5	1177
YB	YAMAHA BLACK	0033

9. Applicable Starting Serial No.

Frame Serial No.

Serial No.	Name Of Q'ty Column	Model Code

Engine Serial No.

Serial No.	Name Of Q'ty Column	Model Code

CONTENTS

ENGINE

CYLINDER HEAD	1
CRANKSHAFT & PISTON	2
VALVE	4
CAMSHAFT & CHAIN	5
WATER PUMP	6
RADIATOR & HOSE	7
OIL PUMP	8
INTAKE	9
EXHAUST	11
CRANKCASE	12
CRANKCASE COVER 1	13
STARTER CLUTCH	14
CLUTCH	15
TRANSMISSION	16
SHIFT CAM & FORK	18
SHIFT SHAFT	19

CHASSIS

FRAME	20
FENDER	21
SIDE COVER	22
REAR ARM & SUSPENSION	25
STEERING	26
FRONT FORK	27
FUEL TANK	29
SEAT	30
FRONT WHEEL	31
FRONT BRAKE CALIPER	32
REAR WHEEL	33
REAR BRAKE CALIPER	35
STEERING HANDLE & CABLE	36
FRONT MASTER CYLINDER	38
STAND & FOOTREST	39
REAR MASTER CYLINDER	41
LEG SHIELD	43
GENERATOR	47
STARTING MOTOR	48
FLASHER LIGHT	49
METER	50
HEADLIGHT	51
TAILLIGHT	52

HANDLE SWITCH & LEVER	53
ELECTRICAL 1	54
ELECTRICAL 2	55

INDEX

NUMERICAL INDEX	56
-----------------------	----

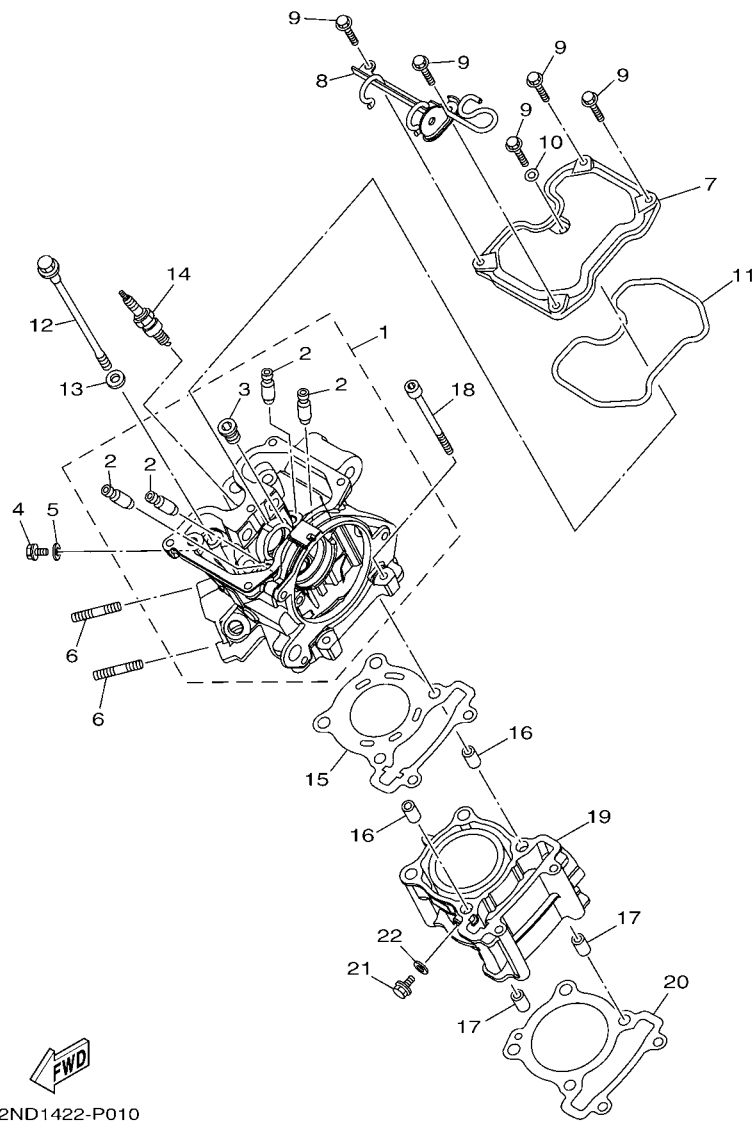
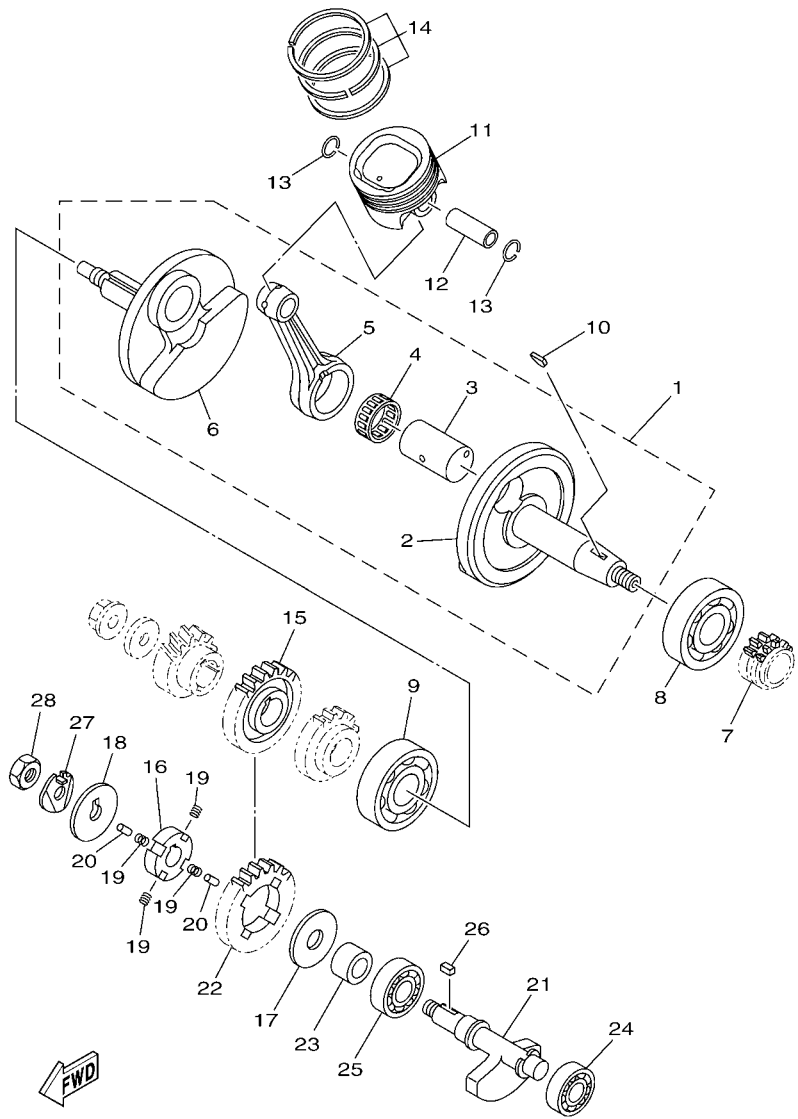


FIG. 1 CYLINDER HEAD

REF. NO.	PART NO.	DESCRIPTION	B171				REMARKS
1	B17-E1102-00	CYLINDER HEAD ASSY	1				
2	1S7-E1133-10	.GUIDE, VALVE 1	4				
3	90340-12813	.PLUG, STRAIGHT SCREW	1				
4	95022-06010	BOLT, FLANGE	1				
5	90430-06014	GASKET	1				
6	95612-08630	BOLT, STUD	2				
7	B17-E1191-00	COVER, CYLINDER HEAD 1	1				
8	2PV-E2443-00	STAY	1				
9	95022-06020	BOLT, FLANGE	5				
10	90430-06014	GASKET	1				
11	2PV-E1193-00	GASKET, HEAD COVER 1	1				
12	2PV-E1361-00	BOLT, CYLINDER HOLDING 1	4				
13	90201-08859	WASHER, PLATE	4				
14	94700-00330	PLUG, SPARK (NGK R CR8E)	1				
15	2PV-E1181-00	GASKET, CYLINDER HEAD 1	1				
16	91810-14809	PIN, DOWEL	2				
17	91810-14809	PIN, DOWEL	2				
18	91312-06100	BOLT	2				
19	2PV-E1311-00	CYLINDER 1	1				
20	1S8-E1351-00	GASKET, CYLINDER	1				
21	95022-06010	BOLT, FLANGE	1				
22	90430-06014	GASKET	1				

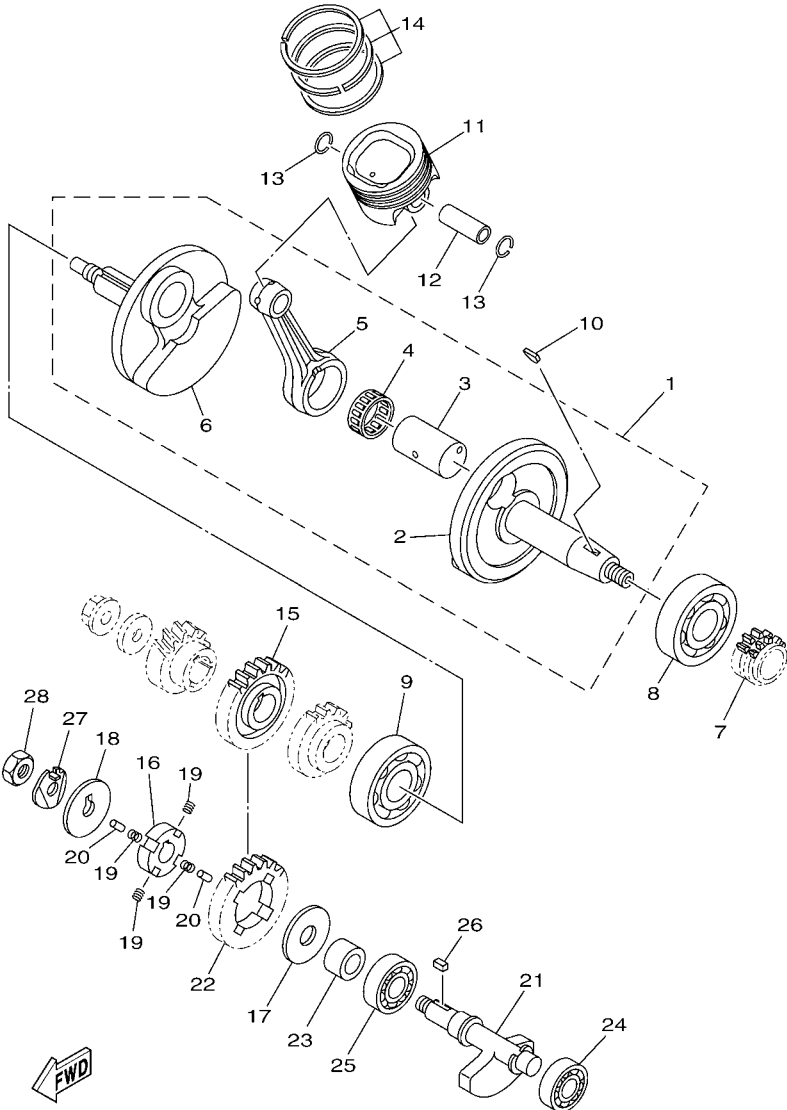


1PA1460-M020

FIG. 2 CRANKSHAFT & PISTON

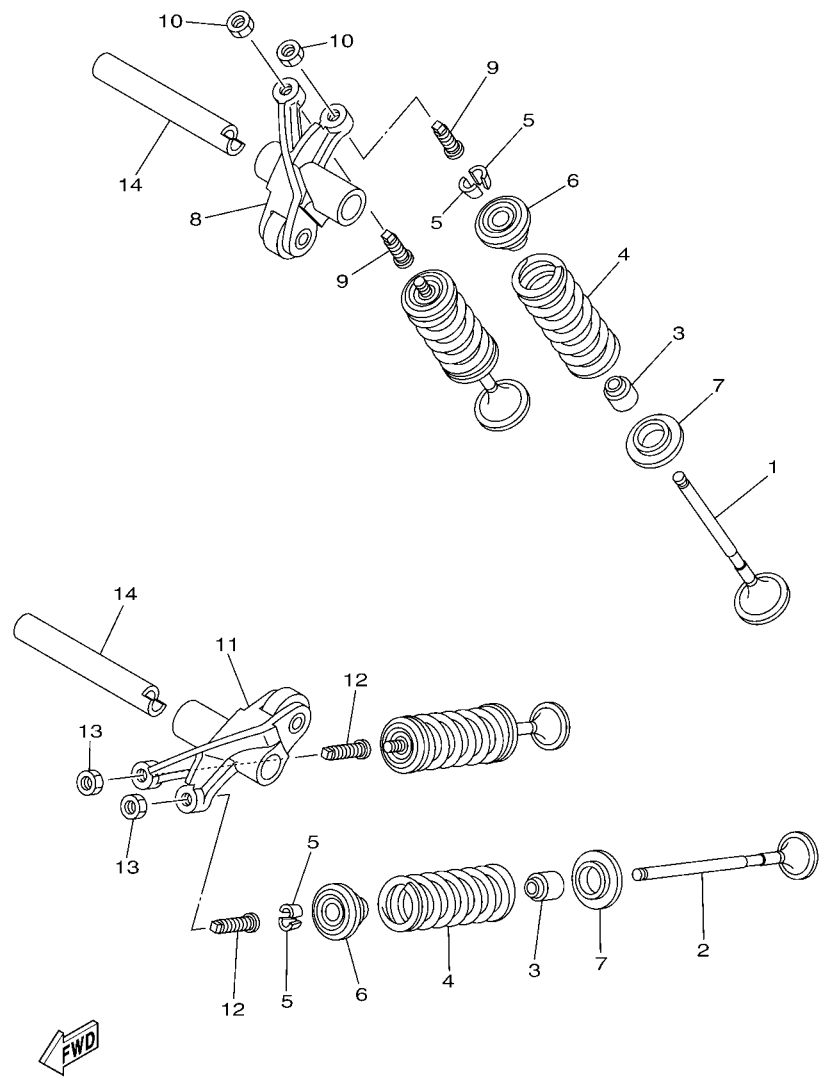
REF. NO.	PART NO.	DESCRIPTION	B171				REMARKS
1	B17-E1400-00	CRANKSHAFT ASSY	1				
2	B17-E1412-00	.CRANK 1	1				
3	3C1-E1681-10	.PIN, CRANK 1	1				
4	93310-528YK	.BEARING	1				
5	3C1-E1651-11	.ROD, CONNECTING	1				
6	B17-E1422-00	.CRANK 2	1				
7	3C1-E1549-10	SPROCKET, CAM CHAIN	1				
8	93306-305XP	BEARING	1				
9	93306-305XR	BEARING	1				
10	90280-03017	KEY, WOODRUFF	1				
11	3C1-E1631-11	PISTON (STD)	1				
12	3C1-E1633-10	PIN, PISTON	1				
13	93450-16115	CIRCLIP	2				
14	1PA-E1603-00	PISTON RING SET (STD)	1				
15	3C1-E1536-10	GEAR, DRIVE	1				
16	45P-E1496-00	BOSS, BUFFER	1				
17	90201-15821	WASHER, PLATE	1				
18	90214-10800	WASHER, CLAW	1				
19	90501-16800	SPRING, COMPRESSION	4				
20	93604-08800	PIN, DOWEL	2				
21	2FB-E1454-00	WEIGHT 1	1				
22	3C1-E1531-10	GEAR, BALANCE WEIGHT	1				
23	90387-15810	COLLAR	1				
24	93306-252XY	BEARING	1				
25	93306-253YB	BEARING	1				
26	90282-05031	KEY, STRAIGHT	1				
27	90215-10284	WASHER, LOCK	1				

FIG. 2 CRANKSHAFT & PISTON



1PA1460-M020

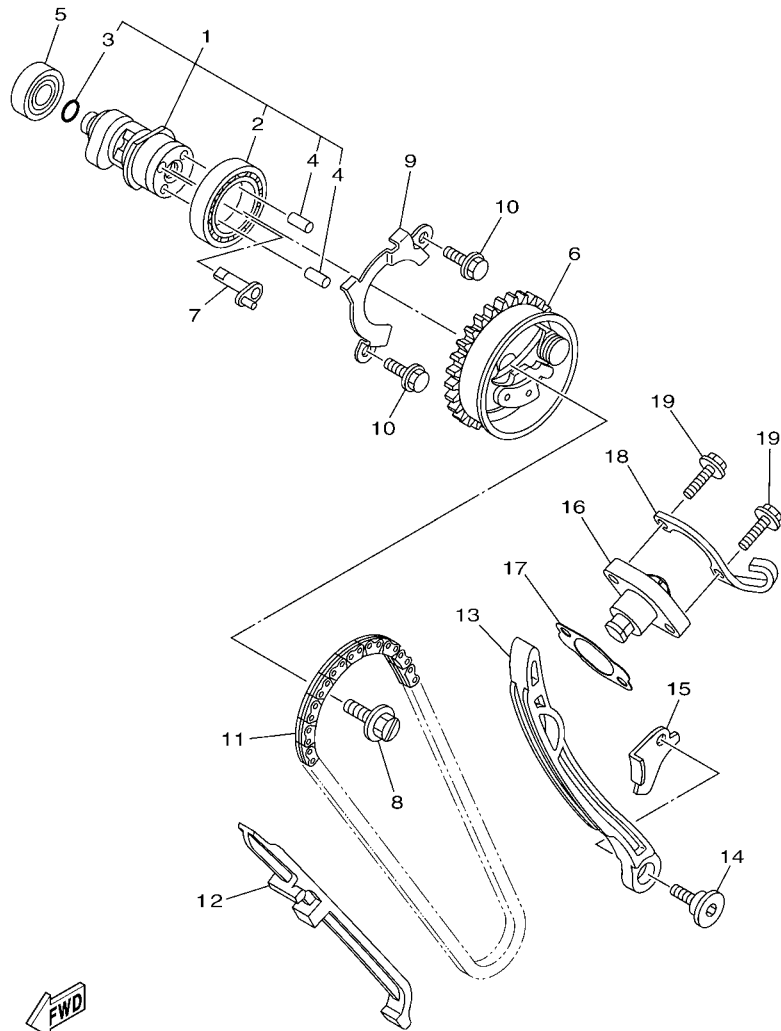
REF. NO.	PART NO.	DESCRIPTION	B171				REMARKS
28	90170-10012	NUT	1				



1PA1460-M030

FIG. 3 VALVE

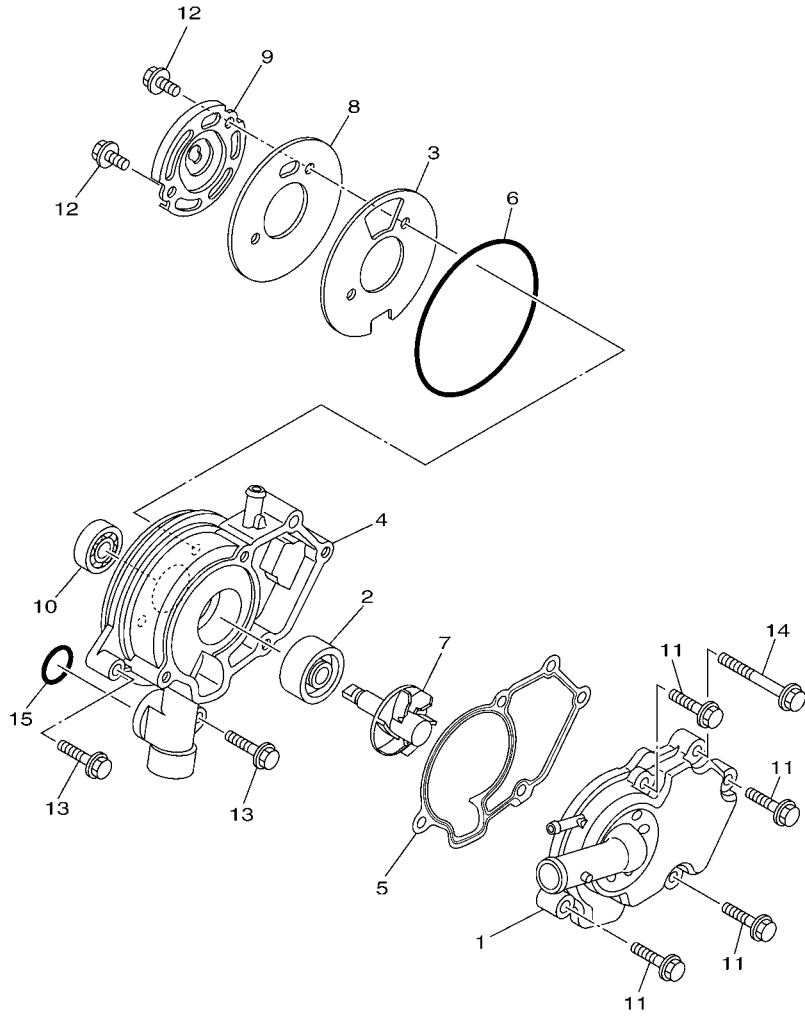
REF. NO.	PART NO.	DESCRIPTION	B171				REMARKS
1	2PV-E2111-00	VALVE, INTAKE	2				
2	2PV-E2121-00	VALVE, EXHAUST	2				
3	1PA-E2119-00	SEAL, VALVE STEM	4				
4	2ND-E2113-00	SPRING, VALVE INNER	4				
5	3S0-E2118-00	LOCK, VALVE SPRING RETAINER	8				
6	1PA-E2117-00	RETAINER, VALVE SPRING	4				
7	55P-E2126-00	SEAT, VALVE SPRING 2	4				
8	2ND-E2151-00	ARM, VALVE ROCKER	1				
9	2ND-E2159-00	SCREW, VALVE ADJUSTING	2				
10	90170-05803	NUT	2				
11	2ND-E2161-00	ARM, VALVE ROCKER 2	1				
12	2ND-E2159-00	SCREW, VALVE ADJUSTING	2				
13	90170-05803	NUT	2				
14	1CK-E2156-00	SHAFT, ROCKER 2	2				



2ND1422-P040

FIG. 4 CAMSHAFT & CHAIN

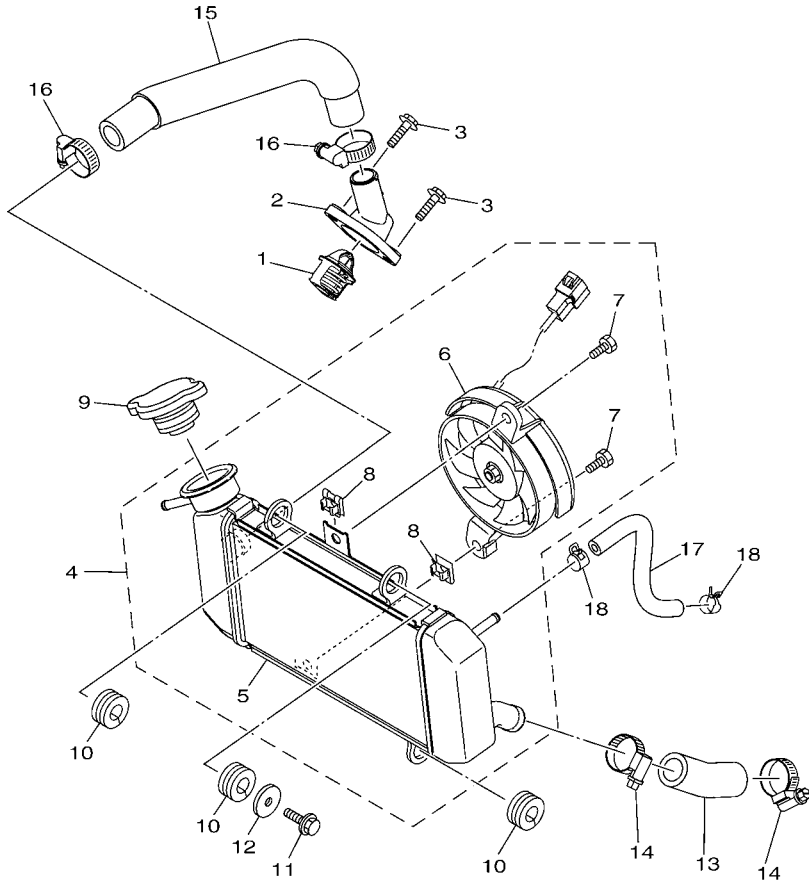
REF. NO.	PART NO.	DESCRIPTION	B171				REMARKS
1	2PV-E2170-00	CAMSHAFT ASSY 1	1				
2	93306-906Y4	.BEARING	1				
3	93210-09806	.O-RING	1				
4	93605-06800	.PIN, DOWEL	2				
5	93306-001X6	BEARING	1				
6	2ND-E2280-00	DECOMPRESSION ASSY	1				
7	1S7-E2288-00	CAM, DECOMPRESSION	1				
8	5YP-E2157-00	BOLT	1				
9	1S8-E111F-00	PLATE	1				
10	95022-06010	BOLT, FLANGE	2				
11	94568-H4096	CHAIN	1				
12	1PA-E2231-00	GUIDE, STOPPER 1	1				
13	2PV-E2241-00	GUIDE, STOPPER 2	1				
14	54P-E2228-00	BOLT	1				
15	3C1-E2256-00	COVER, CHAIN	1				
16	2ND-E2210-00	TENSIONER ASSY, CAM CHAIN	1				
17	2PV-E2213-00	GASKET, TENSIONER CASE	1				
18	2PV-E5441-00	HOLDER, CLUTCH CABLE	1				
19	95022-06025	BOLT, FLANGE	2				



2ND1422-P050

FIG. 5 WATER PUMP

REF. NO.	PART NO.	DESCRIPTION	B171				REMARKS
1	2PV-E2422-00	COVER, HOUSING	1				
2	93103-10801	OIL SEAL	1				
3	2PV-E2428-00	GASKET, HOUSING COVER 2	1				
4	2PV-E1185-00	COVER, CYLINDER HEAD SIDE 3	1				
5	2ND-E1196-00	GASKET, CYLINDER HEAD SIDE	1				
6	93210-84804	O-RING	1				
7	1S7-E2450-01	IMPELLER SHAFT ASSY	1				
8	1S7-E1951-00	PLATE	1				
9	1S7-E1952-02	PLATE	1				
10	93306-000Y3	BEARING	1				
11	95022-06025	BOLT, FLANGE	4				
12	95022-06012	BOLT, FLANGE	2				
13	95022-06025	BOLT, FLANGE	2				
14	95022-06050	BOLT, FLANGE	1				
15	93210-19809	O-RING	1				




 2ND1422-P060

FIG. 6 RADIATOR & HOSE

REF. NO.	PART NO.	DESCRIPTION	B171				REMARKS
1	5YP-12411-00	THERMOSTAT	1				
2	1S8-E2413-00	COVER, THERMOSTAT	1				
3	95022-06020	BOLT, FLANGE	2				
4	2ND-E240A-00	RADIATOR ASSY	1				
5	2ND-E2461-00	.RADIATOR COMP	1				
6	2ND-E2405-00	.BLOWER ASSY	1				
7	2ND-E2675-00	.BOLT, BLOWER HOLDING	2				
8	2ND-E2671-00	.NUT 1	2				
9	33S-E2590-00	CONDUCTION ASSY	1				
10	90480-15808	GROMMET	3				
11	95822-06016	BOLT, FLANGE	1				
12	90201-06880	WASHER, PLATE	1				
13	B17-E2481-00	PIPE 1	1				
14	90450-27806	HOSE CLAMP ASSY	2				
15	B17-E2482-00	PIPE 2	1				
16	90450-27806	HOSE CLAMP ASSY	2				
17	2PV-E2576-00	HOSE 1	1				
18	90467-10805	CLIP	2				

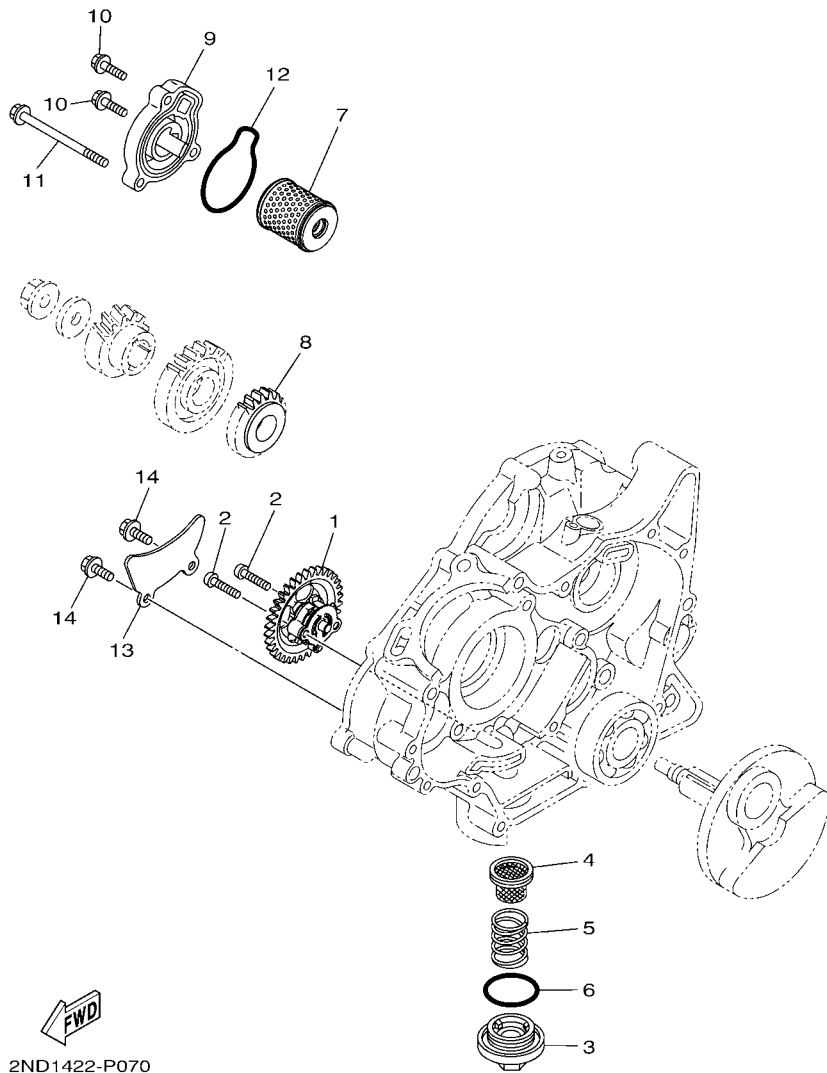


FIG. 7 OIL PUMP

REF. NO.	PART NO.	DESCRIPTION	B171				REMARKS
1	2PV-E3300-00	OIL PUMP ASSY	1				
2	98502-05025	SCREW, PAN HEAD	2				
3	1S8-E5351-00	PLUG, DRAIN	1				
4	38B-E3411-00	STRAINER, OIL	1				
5	90501-18576	SPRING, COMPRESSION	1				
6	93210-34802	O-RING	1				
7	38B-E3440-00	ELEMENT ASSY, OIL CLEANER	1				
8	2PV-E3324-00	GEAR, PUMP DRIVE	1				
9	55C-E3447-00	COVER, OIL ELEMENT	1				
10	95022-06020	BOLT, FLANGE	2				
11	95022-06080	BOLT, FLANGE	1				
12	93210-54805	O-RING	1				
13	3C1-E3327-00	COVER, PUMP GEAR	1				
14	95022-06012	BOLT, FLANGE	2				

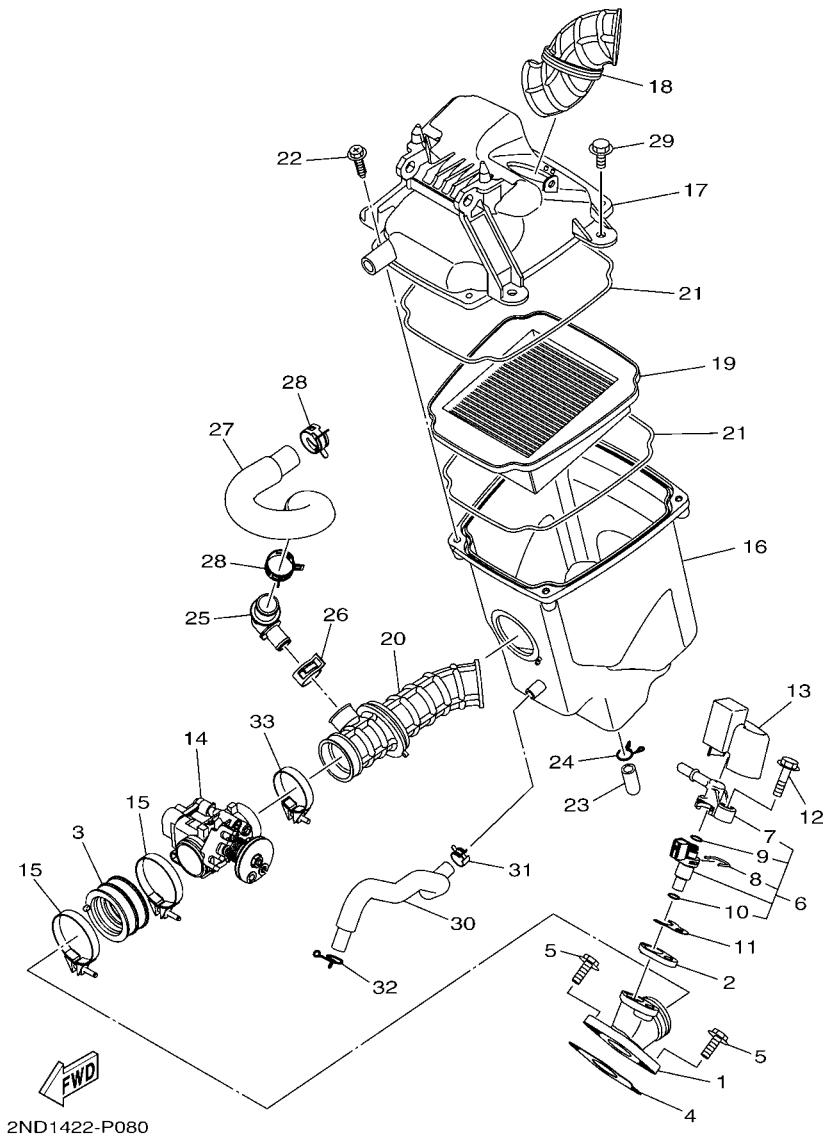
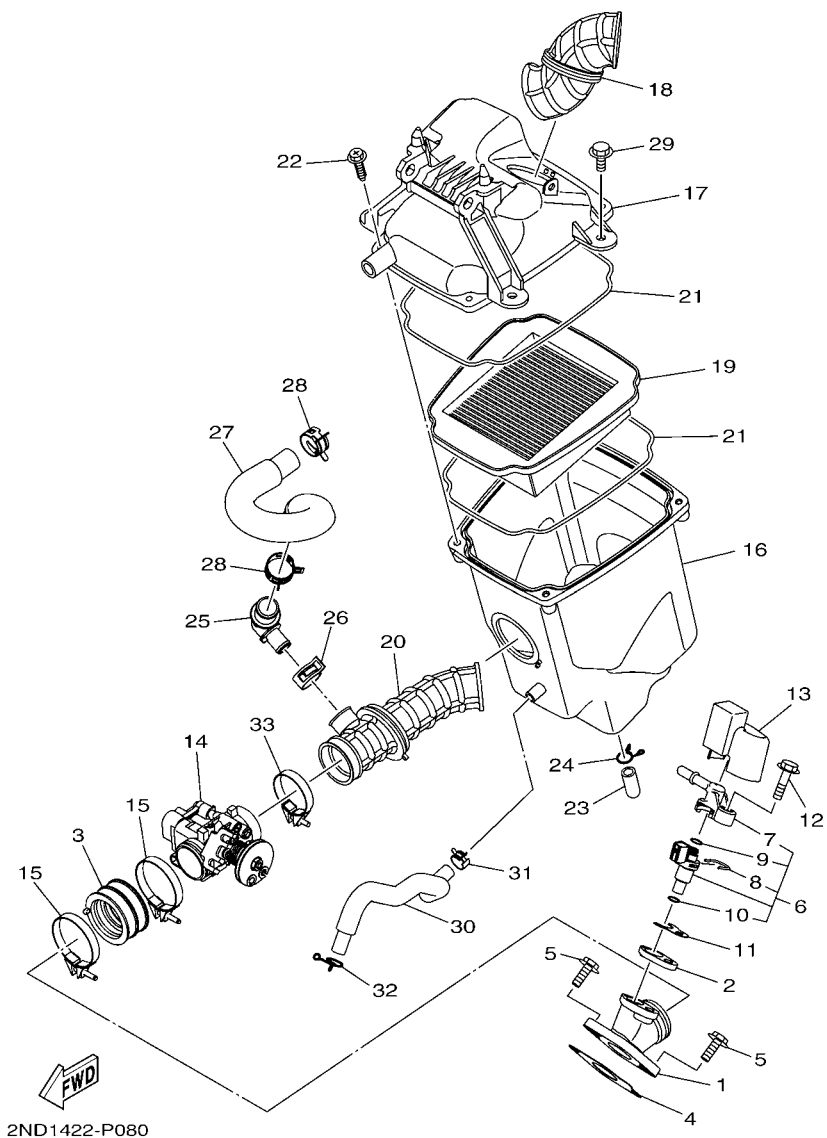


FIG. 8 INTAKE

REF. NO.	PART NO.	DESCRIPTION	B171				REMARKS
1	2PV-E3585-00	MANIFOLD	1				
2	1PA-E3556-00	GASKET, MANIFOLD	1				
3	1PA-E3635-00	JOINT, INTAKE 1	1				
4	2PV-E4199-00	GASKET	1				
5	95022-06020	BOLT, FLANGE	2				
6	5D7-E3770-00	INJECTOR ASSY	1				
7	54P-E3938-00	.PIPE	1				
8	54P-E4137-00	.CLIP	1				
9	54P-E4147-00	.O-RING	1				
10	5CA-E4147-00	.O-RING	1				
11	2PV-E3557-00	GASKET	1				
12	95812-06030	BOLT, FLANGE	1				
13	1PA-E3767-00	CAP, INJECTOR	1				
14	2PV-E3750-00	THROTTLE BODY ASSY	1				
15	90450-48803	HOSE CLAMP ASSY	2				
16	2PV-E4411-00	CASE, AIR CLEANER 1	1				
17	2PV-E4412-00	CAP, CLEANER CASE 1	1				
18	2PV-E4437-00	DUCT	1				
19	2PV-E4450-00	ELEMENT ASSY, AIR CLEANER	1				
20	2PV-E4453-00	JOINT, AIR CLEANER 1	1				
21	3C1-E4452-00	SEAL	2				
22	90163-05803	SCREW, TAPPING	4				
23	5TL-E443E-00	PIPE, DRAIN	1				
24	90467-12800	CLIP	1				
25	3C1-E4485-00	PIPE, JOINT	1				
26	90467-20804	CLIP	2				
27	2PV-E441J-00	PIPE, SILENCER	1				

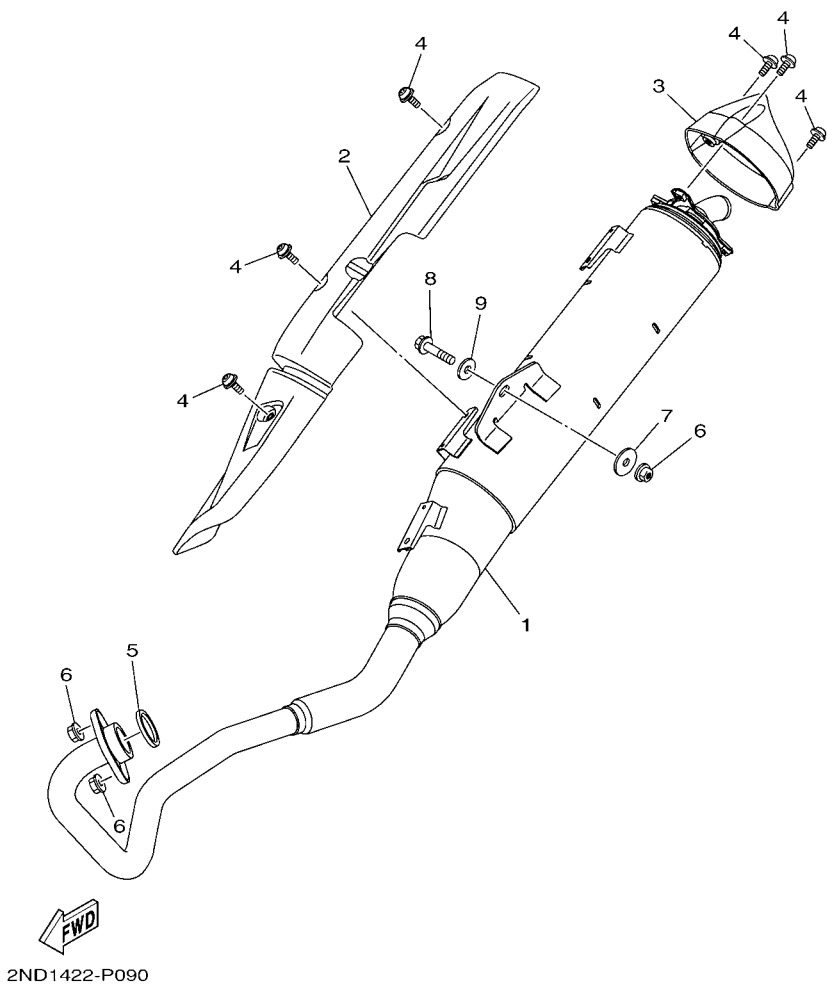


2ND1422-P080

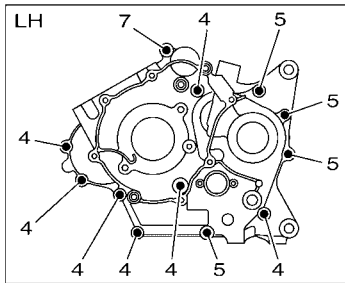
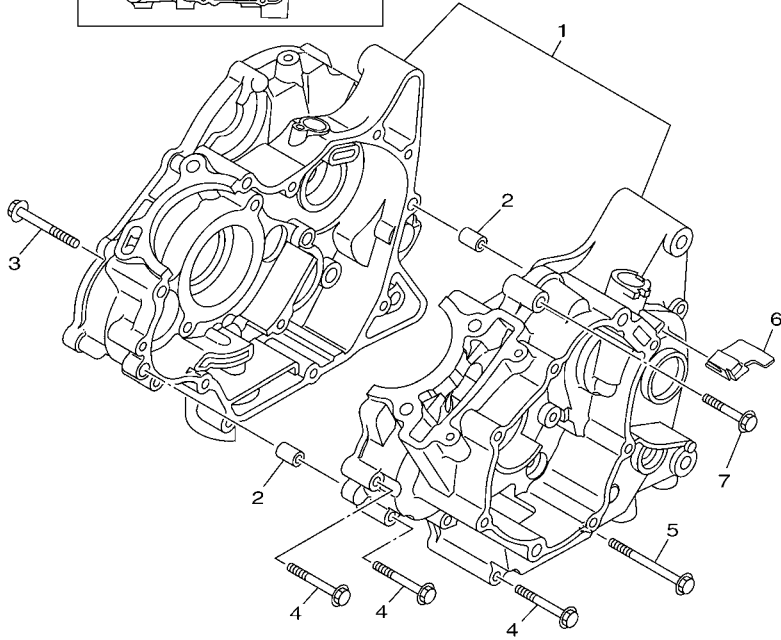
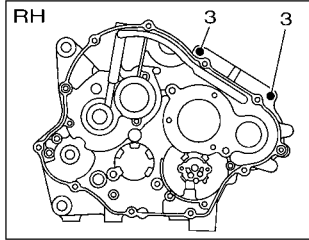
FIG. 8 INTAKE

REF. NO.	PART NO.	DESCRIPTION	B171				REMARKS
28	90467-22801	CLIP	2				
29	90119-06137	BOLT, WITH WASHER	4				
30	2PV-E1166-00	PIPE, BREATHER 1	1				
31	90467-13064	CLIP	2				
32	90467-13858	CLIP	1				
33	90450-39805	HOSE CLAMP ASSY	1				

FIG. 9 EXHAUST



REF. NO.	PART NO.	DESCRIPTION	B171				REMARKS
1	B17-E4703-00	MUFFLER COMP. 1	1				
2	B17-E4718-00	PROTECTOR, MUFFLER 1	1				
3	B17-E4799-00	CAP	1				
4	90111-06807	BOLT,HEX. SOCKET BUTTON	6				
5	1S8-E4613-00	GASKET, EXHAUST PIPE	1				
6	95702-08500	NUT, FLANGE	3				
7	90201-08612	WASHER, PLATE	2				
8	95812-08040	BOLT, FLANGE	1				
9	90201-08730	WASHER, PLATE	1				



2ND1422-P100

FIG. 10 CRANKCASE

REF. NO.	PART NO.	DESCRIPTION	B171				REMARKS
1	B17-E5150-00	CRANKCASE ASSY	1				
2	91810-14809	PIN, DOWEL	2				
3	95022-06055	BOLT, FLANGE	2				
4	95022-06045	BOLT, FLANGE	7				
5	95022-06070	BOLT, FLANGE	4				
6	55P-E5377-00	GUIDE, INLET	1				
7	95022-06040	BOLT, FLANGE	1				

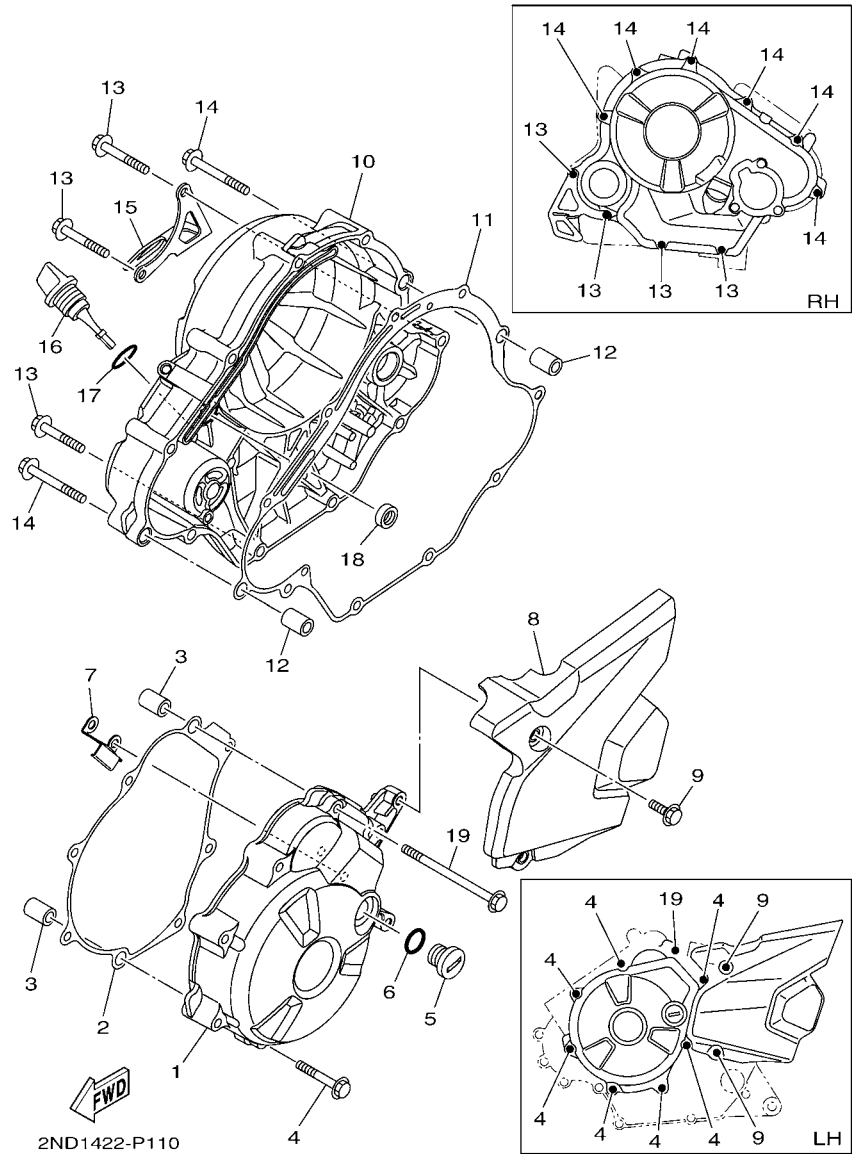
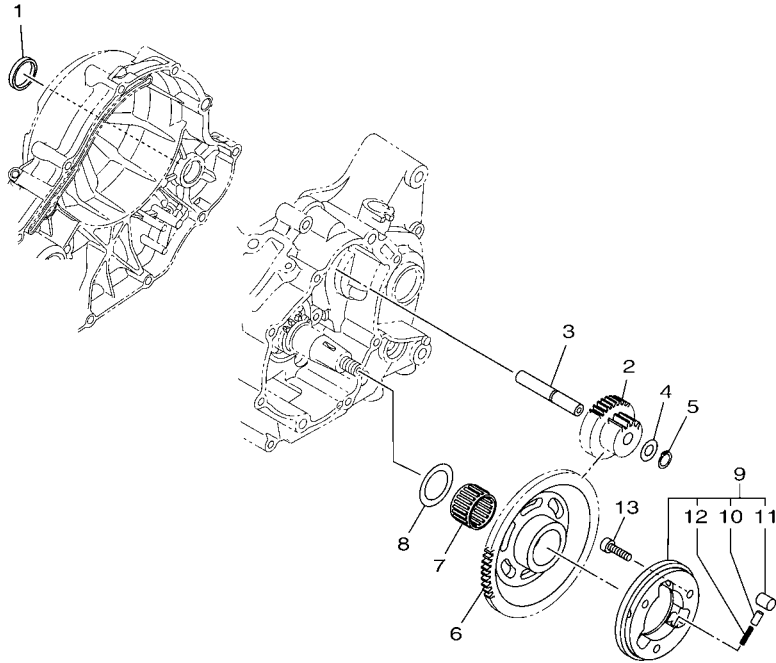


FIG. 11 CRANKCASE COVER 1

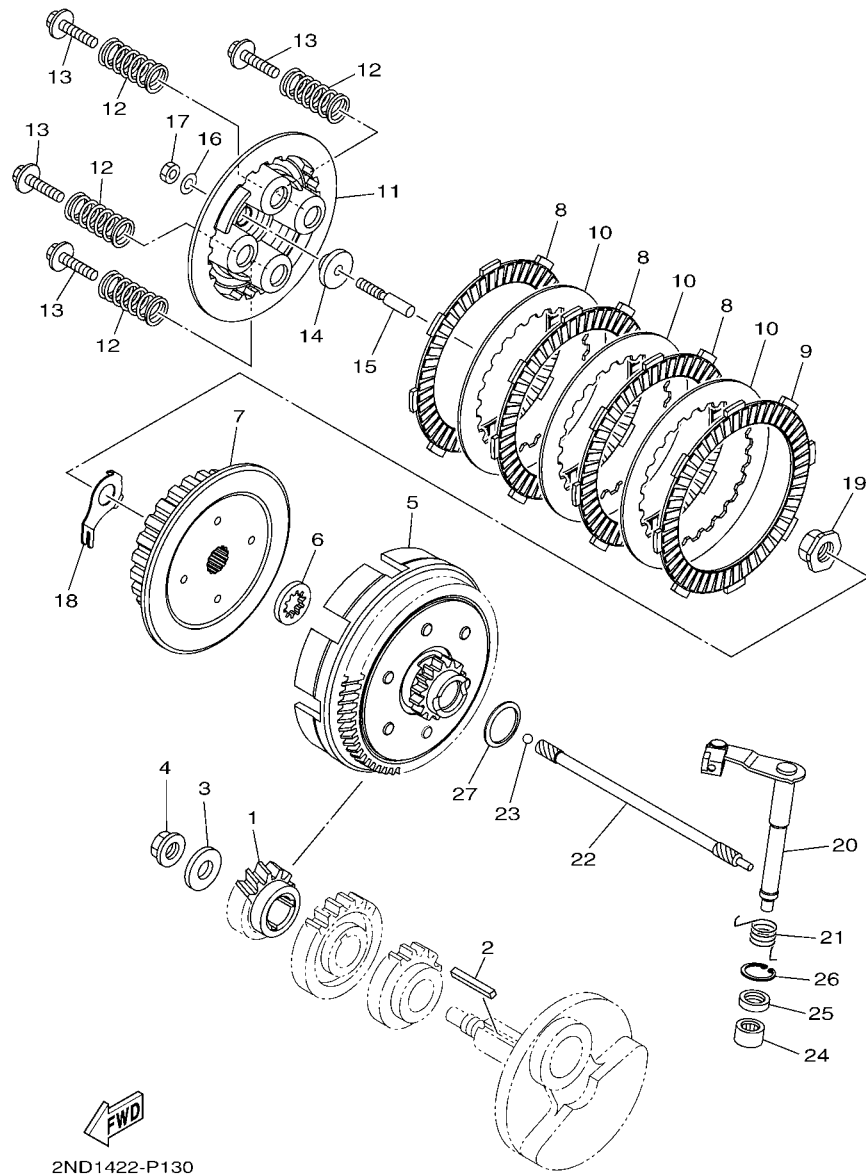
REF. NO.	PART NO.	DESCRIPTION	B171				REMARKS
1	B17-E5411-00	COVER, CRANKCASE 1	1				
2	2PV-E5451-00	GASKET, CRANKCASE COVER 1	1				
3	91810-14809	PIN, DOWEL	2				
4	95022-06040	BOLT, FLANGE	7				
5	90340-14816	PLUG, STRAIGHT SCREW	1				
6	93210-148F8	O-RING	1				
7	2PV-E5113-00	PLATE	1				
8	B17-E5418-00	COVER, CHAIN CASE	1				
9	95022-06016	BOLT, FLANGE	2				
10	B17-E5421-00	COVER, CRANKCASE 2	1				
11	2PV-E5461-00	GASKET, CRANKCASE COVER 2	1				
12	91810-14809	PIN, DOWEL	2				
13	95022-06040	BOLT, FLANGE	4				
14	95022-06050	BOLT, FLANGE	6				
15	B17-E5142-00	GUIDE 1	1				
16	3C1-E5362-00	PLUG, OIL LEVEL	1				
17	93210-198F9	O-RING	1				
18	93101-10843	OIL SEAL	1				
19	95022-06090	BOLT, FLANGE	1				



B171440-R120

FIG. 12 STARTER CLUTCH

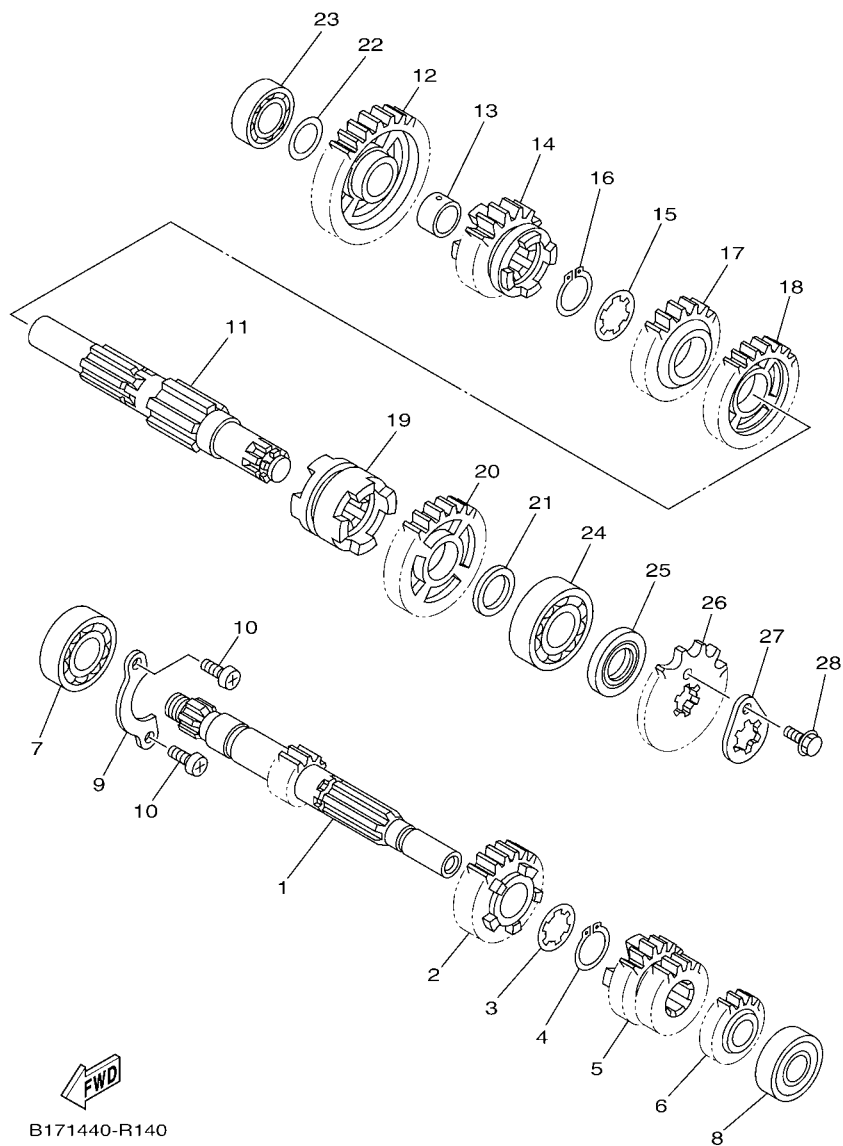
REF. NO.	PART NO.	DESCRIPTION	B171				REMARKS
1	90338-30802	PLUG	1				
2	2PV-E5514-00	GEAR 2	1				
3	38B-E5521-00	SHAFT 1	1				
4	90201-105E8	WASHER, PLATE	1				
5	99009-10400	CIRCLIP	1				
6	2PV-E5524-00	WHEEL, STARTER	1				
7	93310-325X3	BEARING	1				
8	90201-25290	WASHER, PLATE	1				
9	1ST-E5580-00	STARTER CLUTCH OUTER ASSY	1				
10	1ST-E5583-00	.CAP, STARTER CLUTCH SPRING	3				
11	1ST-E5614-00	.PIN, DOWEL	3				
12	90501-030A0	.SPRING, COMPRESSION	3				
13	90110-06873	BOLT, HEXAGON SOCKET HEAD	3				



2ND1422-P130

FIG. 13 CLUTCH

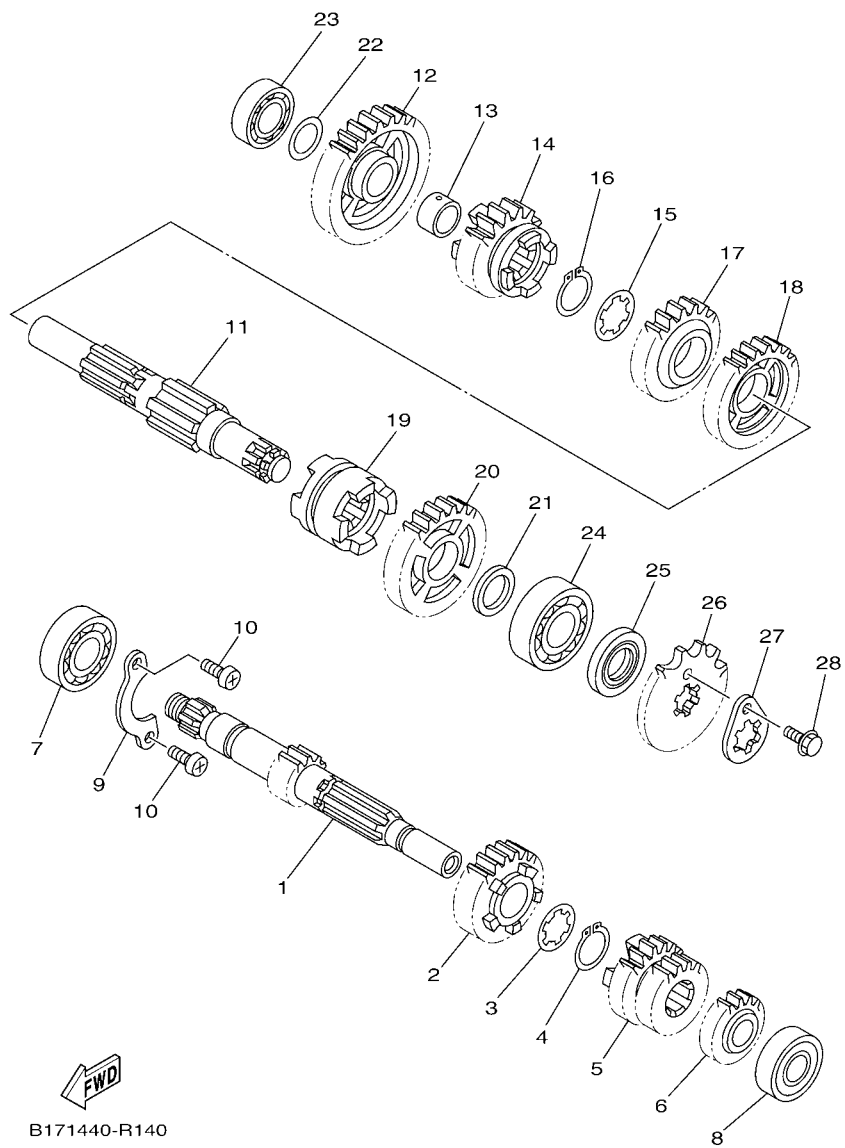
REF. NO.	PART NO.	DESCRIPTION	B171				REMARKS
1	3C1-E6111-00	GEAR, PRIMARY DRIVE	1				
2	38B-E6193-00	KEY, FEATHER	1				
3	90201-12019	WASHER, PLATE	1				
4	90179-12808	NUT	1				
5	2PV-E6150-00	PRIMARY DRIVEN GEAR COMP.	1				
6	2ND-E6154-00	PLATE, THRUST 1	1				
7	45P-E6371-00	BOSS, CLUTCH	1				
8	2PV-E6321-00	PLATE, FRICTION	3				
9	2UP-E6331-00	PLATE, FRICTION 2	1				
10	2PV-E6324-00	PLATE, CLUTCH 1	3				
11	45P-E6351-00	PLATE, PRESSURE 1	1				
12	2ND-E6333-00	SPRING, CLUTCH 1	4				
13	45P-E6337-00	SCREW, SPRING	4				
14	2ND-E6358-00	PLATE, PUSH	1				
15	45P-E6356-00	ROD, PUSH 1	1				
16	3C1-E6144-00	WASHER	1				
17	3C1-E6344-00	NUT, ADJUSTING	1				
18	45P-E6135-00	WASHER, LOCK	1				
19	90179-14001	NUT	1				
20	2ND-E6380-00	PUSH LEVER ASSY	1				
21	2PV-E6345-00	SPRING, RETURN	1				
22	1PA-E6357-00	ROD, PUSH 2	1				
23	93505-16844	BALL	1				
24	93315-112Y9	BEARING	1				
25	93102-12862	OIL SEAL	1				
26	99009-20500	CIRCLIP	1				
27	90208-20003	WASHER, CONICAL SPRING	1				



B171440-R140

FIG. 14 TRANSMISSION

REF. NO.	PART NO.	DESCRIPTION	B171				REMARKS
1	2PV-E7411-00	AXLE, MAIN (12T)	1				UR
	3C1-E7411-10	AXLE, MAIN (12T)	1				UR
2	1PA-E7151-00	GEAR, 5TH PINION (23T)	1				
3	90209-17285	WASHER	1				
4	93410-20038	CIRCLIP	1				
5	3C1-E7131-00	GEAR, 3RD PINION (21T/21T)	1				
6	3C1-E7121-00	GEAR, 2ND PINION (16T)	1				
7	93306-054XB	BEARING	1				
8	93306-252YL	BEARING	1				
9	3C1-E7471-00	PLATE, COVER	1				
10	98512-06012	SCREW, PAN HEAD	2				
11	2PV-E7402-20	DRIVE AXLE ASSY	1				
12	3C1-E7211-00	GEAR, 1ST WHEEL (34T)	1				
13	90387-17804	COLLAR	1				
14	2PV-E7251-00	GEAR, 5TH WHEEL (22T)	1				
15	90209-18208	WASHER	1				
16	93410-22039	CIRCLIP	1				
17	3C1-E7241-00	GEAR, 4TH WHEEL (24T)	1				
18	3C1-E7231-00	GEAR, 3RD WHEEL (30T)	1				
19	3C1-E7285-00	CLUTCH, DOG	1				
20	3C1-E7221-00	GEAR, 2ND WHEEL (30T)	1				
21	90201-20814	WASHER, PLATE	1				
22	90201-173F4	WASHER, PLATE	1				
23	93306-003YN	BEARING	1				
24	93306-204YS	BEARING	1				
25	93102-20892	OIL SEAL	1				
26	93822-14800	SPROCKET, DRIVE (14T)	1				



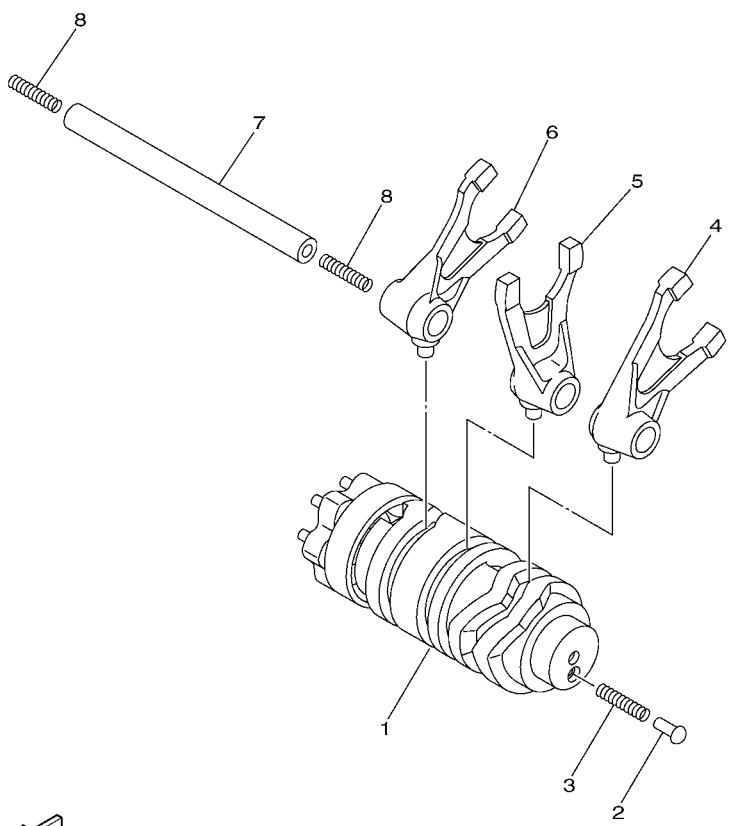
B171440-R140

FIG. 14 TRANSMISSION

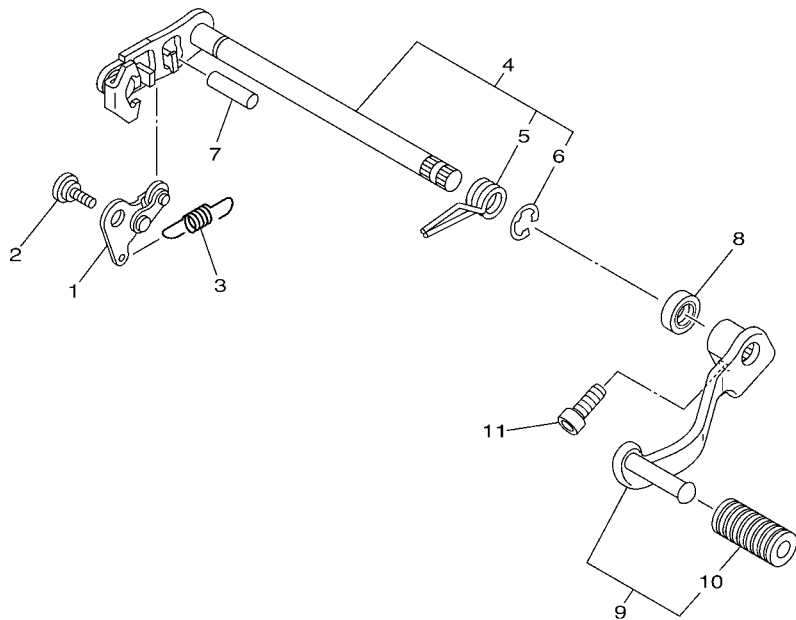
REF. NO.	PART NO.	DESCRIPTION	B171				REMARKS
27	1S8-E7456-00	HOLDER, SPROCKET	1				
28	95022-06010	BOLT, FLANGE	1				

FIG. 15 SHIFT CAM & FORK

REF. NO.	PART NO.	DESCRIPTION	B171					REMARKS
1	2PV-E8540-00	SHIFT CAM ASSY	1					
2	5TP-E8542-00	POINT, NEUTRAL	1					
3	90501-06022	SPRING, COMPRESSION	1					
4	2ND-E8511-00	FORK, SHIFT 1	1					
5	2ND-E8512-00	FORK, SHIFT 2	1					
6	2ND-E8513-00	FORK, SHIFT 3	1					
7	1PA-E8531-00	BAR, SHIFT FORK GUIDE 1	1					
8	90501-06800	SPRING, COMPRESSION	2					




50C1460-K170

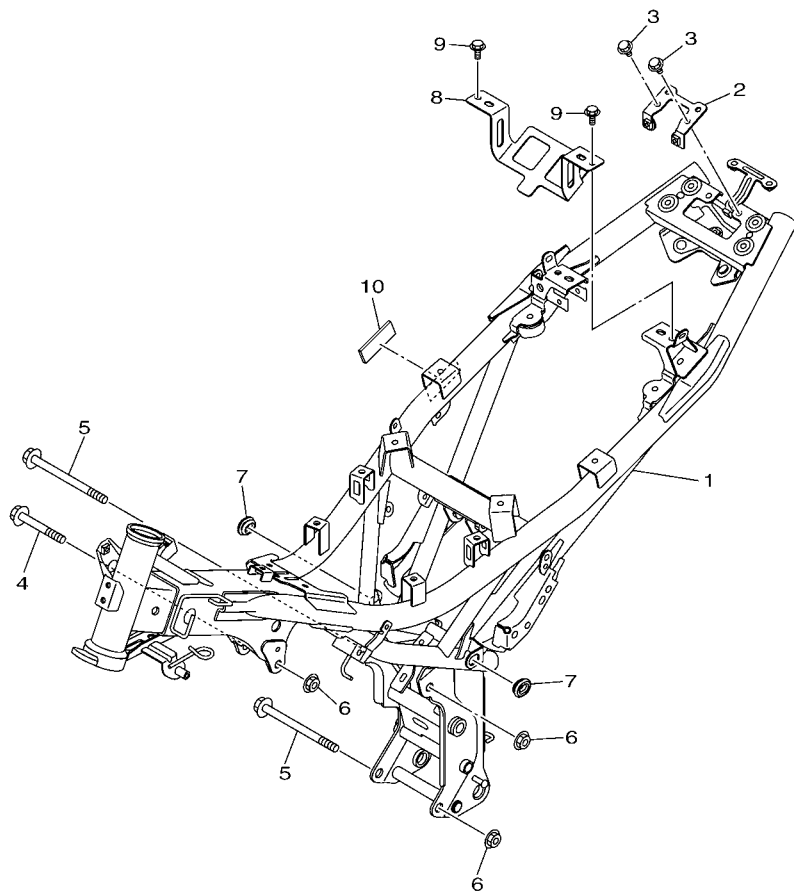



 2ND1422-P160

FIG. 16 SHIFT SHAFT

REF. NO.	PART NO.	DESCRIPTION	B171					REMARKS
1	21C-E8140-00	STOPPER LEVER ASSY	1					
2	90109-06279	BOLT	1					
3	3C1-E8337-00	SPRING	1					
4	2ND-E8101-00	SHIFT SHAFT ASSY	1					
5	90508-32837	.SPRING, TORSION	1					
6	99002-10600	.CIRCLIP	1					
7	93608-30839	PIN, DOWEL	1					
8	93102-12891	OIL SEAL	1					
9	B17-E8110-00	SHIFT PEDAL ASSY	1					
10	5H3-E8113-00	.COVER, SHIFT PEDAL	1					
11	91312-08020	BOLT	1					

FIG. 17 FRAME



 2ND1422-P170

REF. NO.	PART NO.	DESCRIPTION	B171				REMARKS
1	B17-F1110-00	FRAME COMP.	1				
2	B17-F478X-00	BRACKET, SEAT LOCK	1				
3	95802-06012	BOLT, FLANGE	2				
4	90105-10221	BOLT, FLANGE	1				
5	90105-10886	BOLT, FLANGE	2				
6	90179-10805	NUT	3				
7	90480-01559	GROMMET	2				
8	B17-F2535-00	STAY, BATTERY 1	1				
9	95802-06012	BOLT, FLANGE	2				
10	90520-02813	DAMPER, PLATE	1				

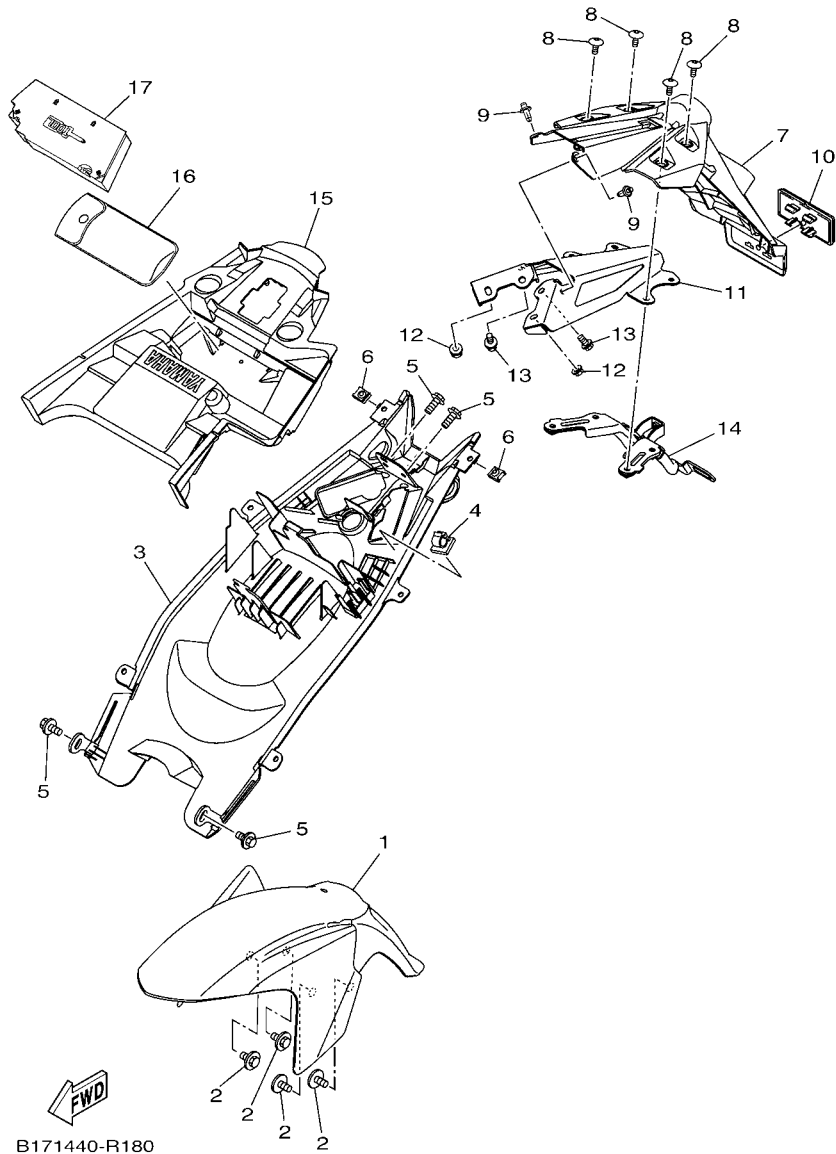
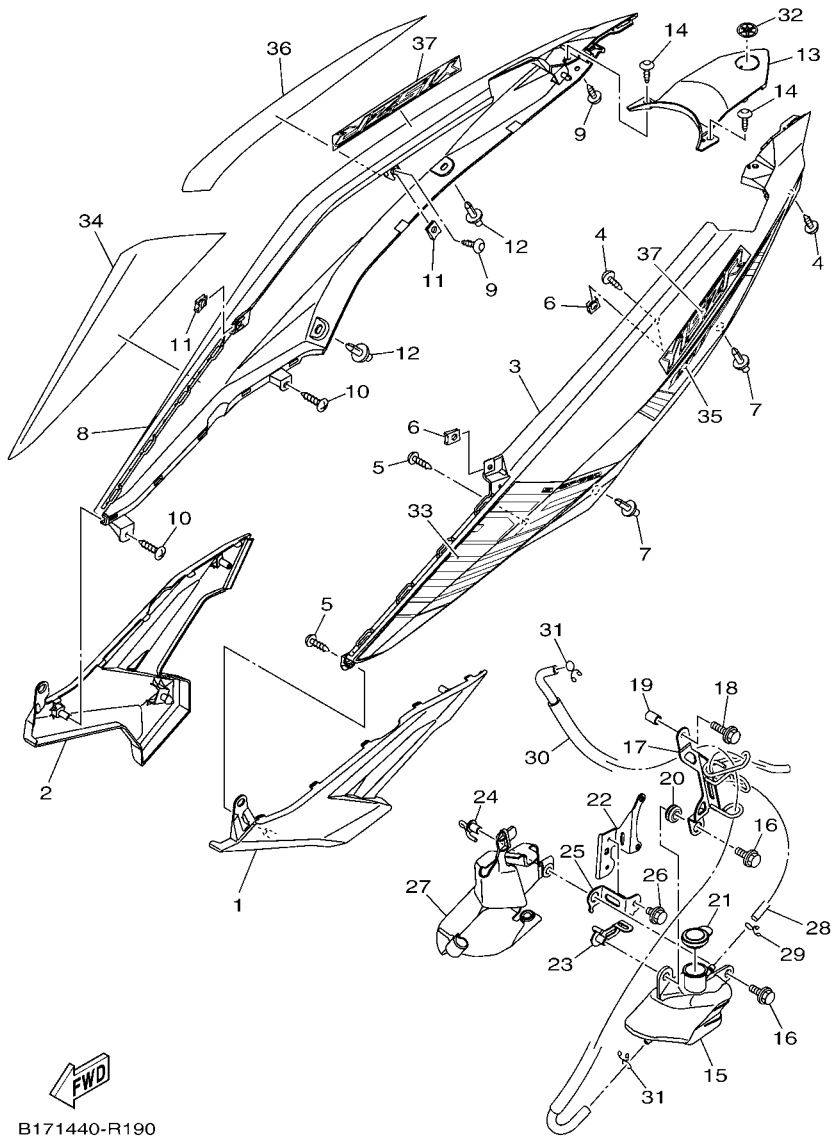


FIG. 18 FENDER

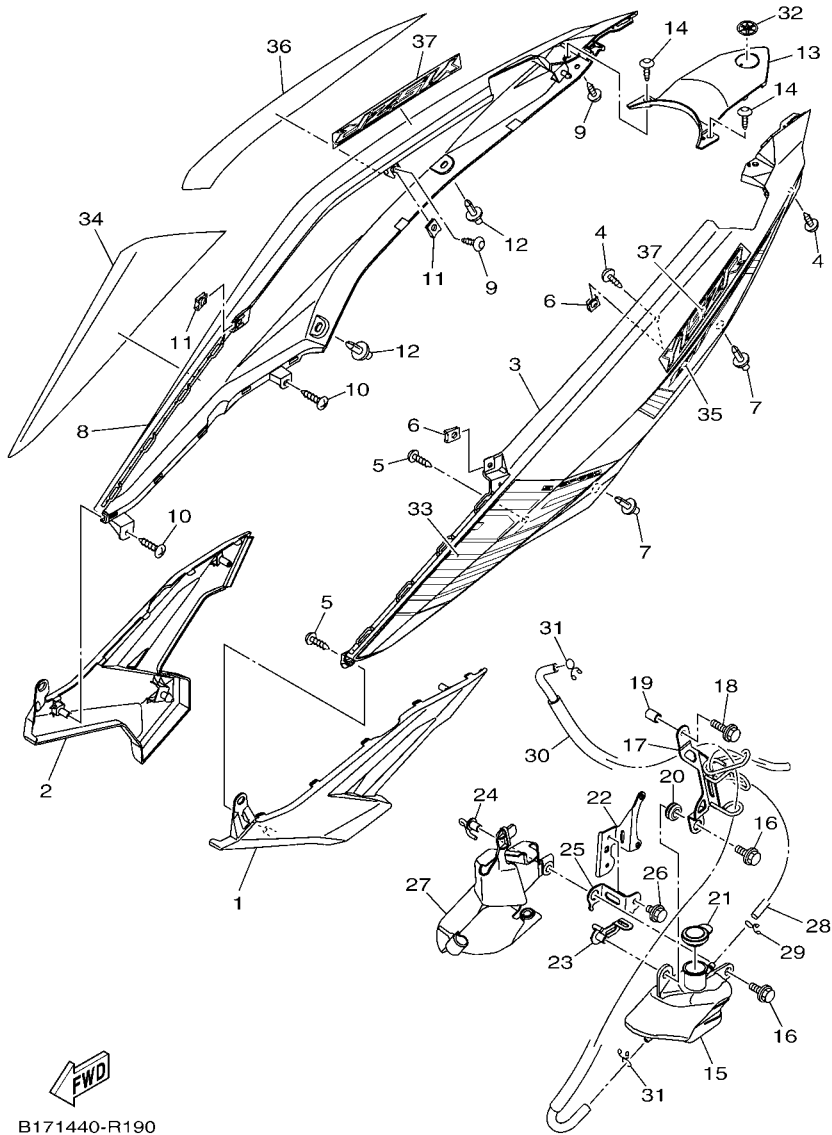
REF. NO.	PART NO.	DESCRIPTION	B171		REMARKS
1	B17-F1511-00-P0	FENDER, FRONT	1		VPBC5 FOR S3
	B17-F1511-00-P1	FENDER, FRONT	1		FOR SMX
	B17-F1511-00-P3	FENDER, FRONT	1		FOR RM7
2	90119-06885	BOLT, WITH WASHER	4		
3	B17-F1611-00	FENDER, REAR	1		
4	90464-54086	CLAMP	1		
5	90119-06044	BOLT, WITH WASHER	4		
6	90183-05807	NUT, SPRING	2		
7	B17-F1629-00	GUARD, MUD	1		
8	90111-06848	BOLT, HEX. SOCKET BUTTON	4		
9	90269-06816	RIVET	2		
10	54P-H5130-00	REAR REFLECTOR ASSY	1		
11	B17-F164F-00	STAY 1	1		
12	95607-06200	NUT, SELF U-FLANGE	2		
13	95822-06016	BOLT, FLANGE	2		
14	B17-F164G-00	STAY 2	1		
15	B17-F160E-00	BOX	1		
16	1S8-F8100-00	TOOL KIT	1		
17	B17-F8173-00	BOX, TOOL	1		



B171440-R190

FIG. 19 SIDE COVER

REF. NO.	PART NO.	DESCRIPTION	B171		REMARKS
1	B17-F1711-00-P0	COVER, SIDE 1	1		VPBC5 FOR S3
	B17-F1711-00-P1	COVER, SIDE 1	1		MBL2 FOR SMX
	B17-F1711-00-P3	COVER, SIDE 1	1		S8 FOR RM7
	██████████	██████████	●		██████████
2	B17-F1721-00-P0	COVER, SIDE 2	1		VPBC5 FOR S3
	B17-F1721-00-P1	COVER, SIDE 2	1		MBL2 FOR SMX
	B17-F1721-00-P3	COVER, SIDE 2	1		S8 FOR RM7
	██████████	██████████	●		██████████
3	B17-F1731-00-P4	COVER, SIDE 3	1		FOR S3
	B17-F1731-00-P5	COVER, SIDE 3	1		SMX FOR SMX,RM7
	██████████	██████████	●		██████████
4	90160-05009	SCREW, ROUND TAPPING	2		
5	97702-40014	SCREW, TAPPING	2		
6	90183-05807	NUT, SPRING	2		
7	90269-06816	RIVET	2		
8	B17-F1741-00-P4	COVER, SIDE 4	1		FOR S3
	B17-F1741-00-P5	COVER, SIDE 4	1		SMX FOR SMX,RM7
	██████████	██████████	●		██████████
9	90160-05009	SCREW, ROUND TAPPING	2		
10	97702-40014	SCREW, TAPPING	2		
11	90183-05807	NUT, SPRING	2		
12	90269-06816	RIVET	2		
13	B17-F171E-00-P4	COVER, SIDE 5	1		FOR S3
	B17-F171E-00-P5	COVER, SIDE 5	1		SMX FOR SMX,RM7
	██████████	██████████	●		██████████
14	90160-05009	SCREW, ROUND TAPPING	2		
15	5YP-F1871-00	TANK, RECOVERY	1		



B171440-R190

FIG. 19 SIDE COVER

REF. NO.	PART NO.	DESCRIPTION	B171		REMARKS
16	90119-06044	BOLT, WITH WASHER	2		
17	B17-F172K-00	BRACKET 1	1		
18	95822-06025	BOLT, FLANGE	1		
19	90387-06144	COLLAR	1		
20	90480-13018	GROMMET	1		
21	5YP-F1875-00	CAP	1		
22	B17-F172L-00	BRACKET 2	1		
23	B17-F172M-10	BRACKET 3	1		
24	55P-F1173-00	BOSS, WIRE HOLDER	1		
25	B17-F172M-00	BRACKET 3	1		
26	95822-06010	BOLT, FLANGE	1		
27	1S8-F172W-00	COVER	1		
28	90445-09823	HOSE	1		
29	90467-08003	CLIP	1		
30	55C-F1817-00	PIPE 2	1		
31	90467-09006	CLIP	2		
32	1PA-F836B-00	TUNING FORK MARK	1		
33	B17-F173E-00	GRAPHIC 1	1		UR FOR S3
	B17-F173E-10	GRAPHIC 1	1		UR FOR SMX
	B17-F173E-20	GRAPHIC 1	1		UR FOR RM7
34	B17-F173F-00	GRAPHIC 2	1		UR FOR S3
	B17-F173F-10	GRAPHIC 2	1		UR FOR SMX
	B17-F173F-20	GRAPHIC 2	1		UR FOR RM7
35	B17-F174G-00	GRAPHIC 3	1		UR FOR S3
	B17-F174G-10	GRAPHIC 3	1		UR FOR SMX

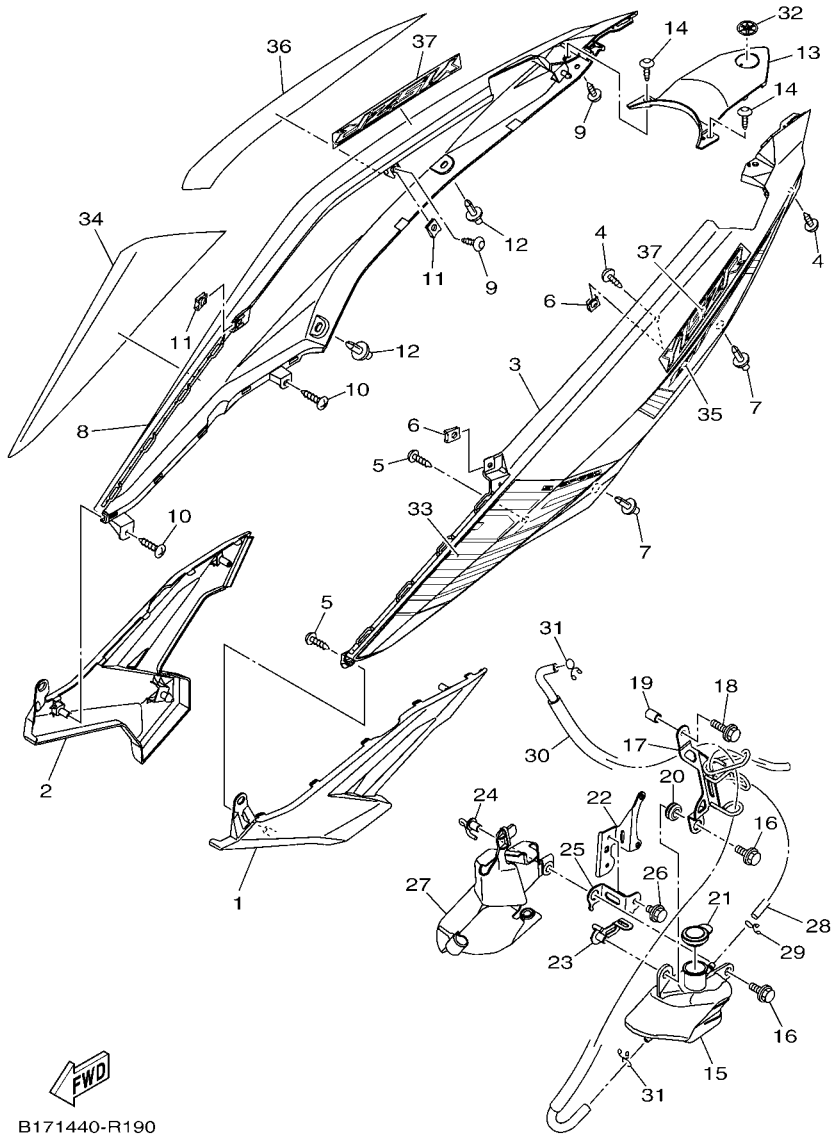


FIG. 19 SIDE COVER

REF. NO.	PART NO.	DESCRIPTION	B171		REMARKS
35	B17-F174G-20	GRAPHIC 3	1		UR FOR RM7
	██████████	██████████	●		██████████
36	B17-F174H-00	GRAPHIC 4	1		UR FOR S3
	B17-F174H-10	GRAPHIC 4	1		UR FOR SMX
	B17-F174H-20	GRAPHIC 4	1		UR FOR RM7
	██████████	██████████	●		██████████
37	B17-F174J-00	GRAPHIC 5	2		UR FOR S3
	B17-F174J-10	GRAPHIC 5	2		UR FOR SMX
	B17-F174J-20	GRAPHIC 5	2		UR FOR RM7
	██████████	██████████	●		██████████

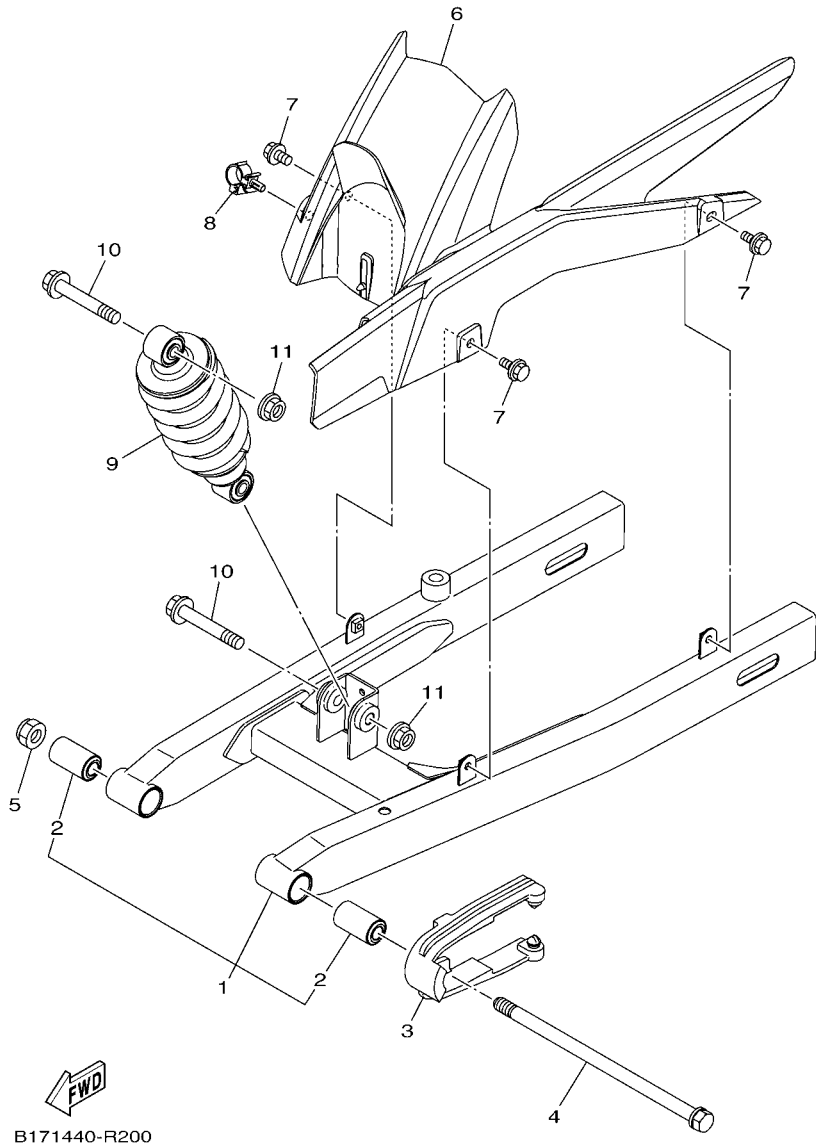


FIG. 20 REAR ARM & SUSPENSION

REF. NO.	PART NO.	DESCRIPTION	B171				REMARKS
1	B17-F2100-00-P0	REAR ARM ASSY	1				MBL2
2	5B9-F2123-00	.BUSH 1	2				
3	B17-F2151-00	SEAL, GUARD	1				
4	4NP-F5381-00	AXLE, WHEEL	1				
5	95614-12100	NUT, U	1				
6	B17-F1650-00	REAR FENDER COMP.	1				
7	90119-06117	BOLT, WITH WASHER	3				
8	90464-16012	CLAMP	1				
9	B17-F2210-00	SHOCK ABSORBER ASSY, REAR	1				
10	90105-10855	BOLT, FLANGE	2				
11	95602-10200	NUT, U FLANGE	2				

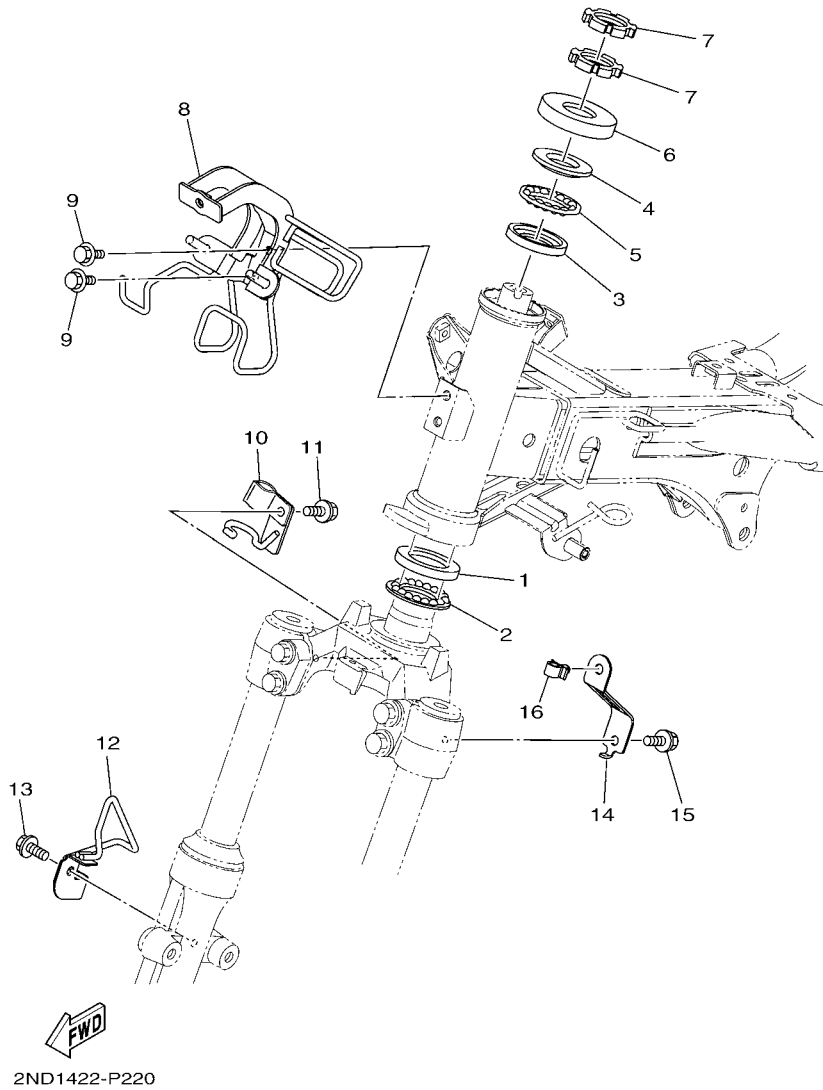


FIG. 21 STEERING

REF. NO.	PART NO.	DESCRIPTION	B171				REMARKS
1	1KL-F3412-10	RACE, BALL 2	1				
2	5VL-F341E-10	RETAINER, BALL BEARING	1				
3	4RT-F3412-10	RACE, BALL 2	1				
4	4RT-F3411-10	RACE, BALL 1	1				
5	1P6-F341E-10	RETAINER, BALL BEARING	1				
6	5TL-F3416-00	COVER, BALL RACE 2	1				
7	90179-25033	NUT	2				
8	B17-F331A-00	STAY	1				
9	95802-06012	BOLT, FLANGE	2				
10	50C-F587A-00	HOLDER, BRAKE HOSE	1				
11	95802-06012	BOLT, FLANGE	1				
12	B17-F5876-00	HOLDER, BRAKE HOSE 2	1				
13	95802-06012	BOLT, FLANGE	1				
14	B17-F334G-00	BRACKET 1	1				
15	95802-06012	BOLT, FLANGE	1				
16	90464-07805	CLAMP	1				

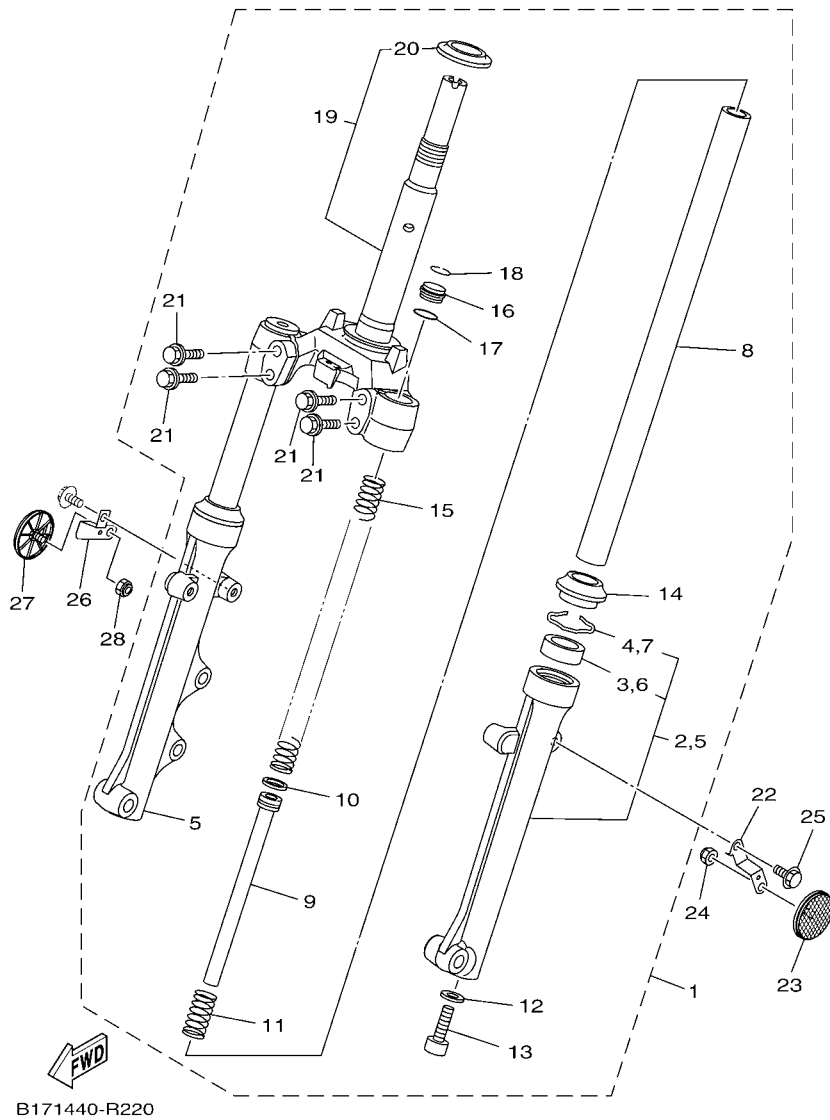


FIG. 22 FRONT FORK

REF. NO.	PART NO.	DESCRIPTION	B171				REMARKS
1	B17-F3100-00	FRONT FORK ASSY	1				
2	B17-F3126-00	.TUBE, OUTER (L.H)	1				
3	4UV-F3145-00	..OIL SEAL	1				
4	5P0-F3156-00	..RING, SNAP	1				
5	B17-F3136-00	.TUBE, OUTER	1				
6	4UV-F3145-00	..OIL SEAL	1				
7	5P0-F3156-00	..RING, SNAP	1				
8	2PV-F3110-00	.INNER TUBE COMP.1	2				
9	5P2-F3170-00	.CYLINDER COMP., FRONT FORK	2				
10	2JG-F3157-00	.RING, PISTON	2				
11	5TF-F3152-00	.SPRING, SUB	2				
12	509-F3158-00	.GASKET	2				
13	31D-F3181-50	.BOLT, HEXAGON SOCKET HEAD	2				
14	5LL-F3144-00	.SEAL, DUST	2				
15	2ND-F3141-00	.SPRING, FRONT FORK	2				
16	1FC-F3111-10	.BOLT, CAP	2				
17	2JG-F3147-00	.O-RING	2				
18	5P0-F3153-00	.RING, SNAP	2				
19	B17-F3340-00	.UNDER BRACKET COMP.	1				
20	4FP-F3411-10	..RACE, BALL 1	1				
21	31B-F3346-00	.BOLT 1	4				
22	B17-F113J-00	BRACKET, REFLECTOR 1	1				
23	1CJ-H5111-00	REFLECTOR, FRONT 1	1				
24	95602-06100	NUT, U	1				
25	95802-06012	BOLT, FLANGE	1				
26	B17-F113K-00	BRACKET, REFLECTOR 2	1				
27	1CJ-H5111-00	REFLECTOR, FRONT 1	1				

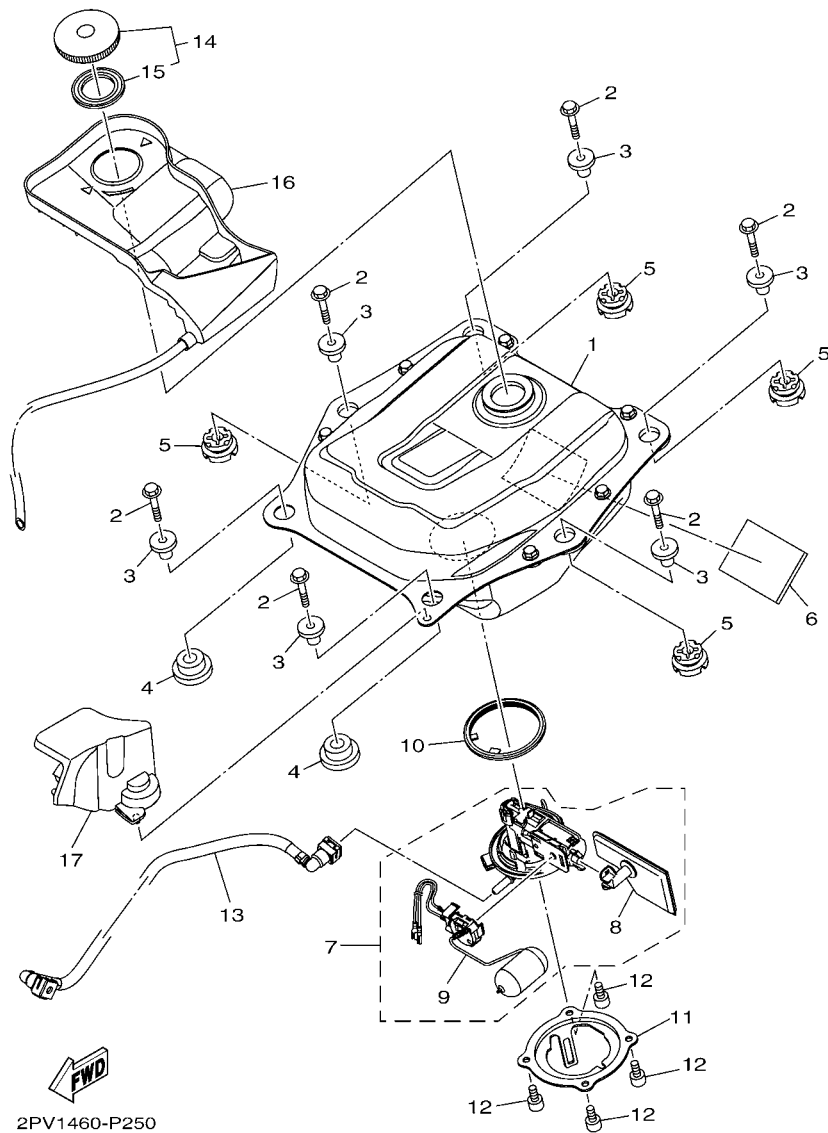


FIG. 23 FUEL TANK

REF. NO.	PART NO.	DESCRIPTION	B171				REMARKS
1	B17-F4100-00	FUEL TANK ASSY	1				
2	95802-06030	BOLT, FLANGE	6				
3	90387-08835	COLLAR	6				
4	90480-18810	GROMMET	2				
5	90480-18811	GROMMET	4				
6	1S8-F8372-00	DAMPER	1				
7	2ND-E3907-00	FUEL PUMP COMP.	1				
8	54P-E3915-00	.FILTER, FUEL SUCTION	1				
9	2ND-H5752-00	.SENDER UNIT ASSY, FUEL METER	1				
10	1DB-F414G-01	SEAL	1				
11	B17-F4491-00	BRACKET, FUEL PUMP	1				
12	91312-05010	BOLT	4				
13	2PV-E3971-00	PIPE, FUEL 1	1				
14	4YY-F4610-00	CAP ASSY	1				
15	4YY-F4612-00	.PACKING, CAP	1				
16	B17-F41B1-00	COVER, TANK	1				
17	B17-F4452-00	COVER	1				

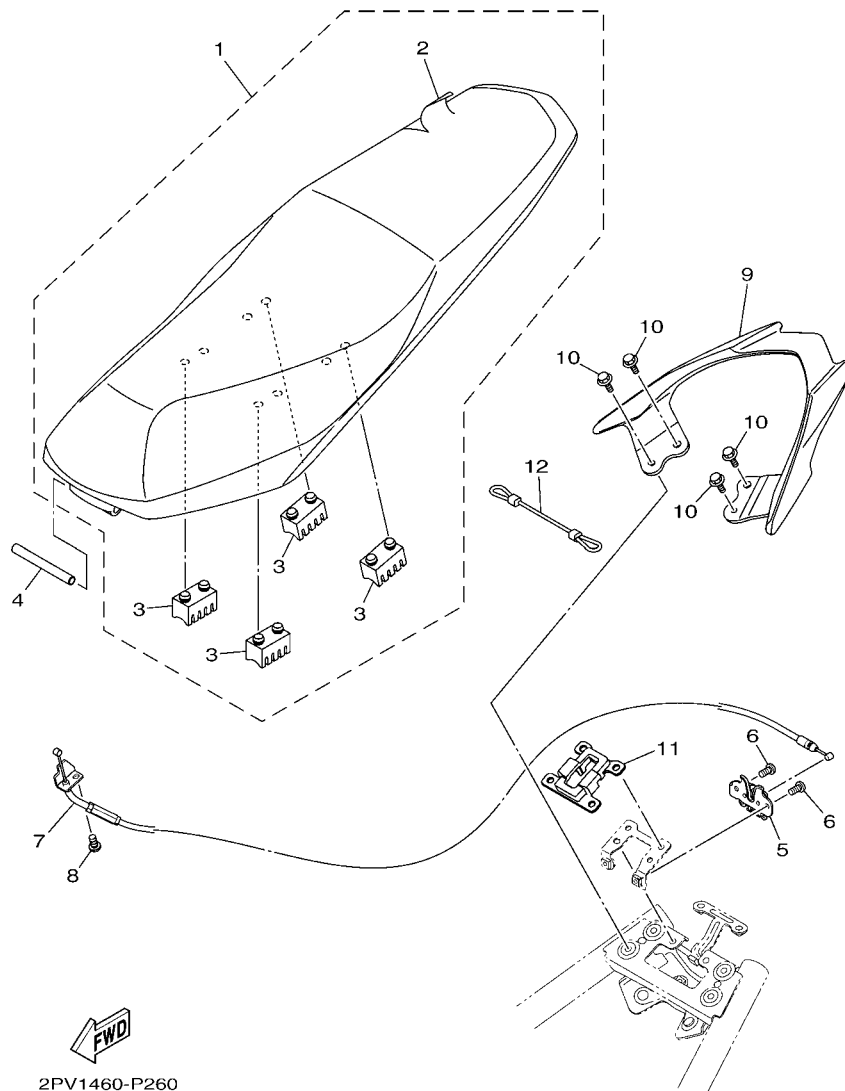
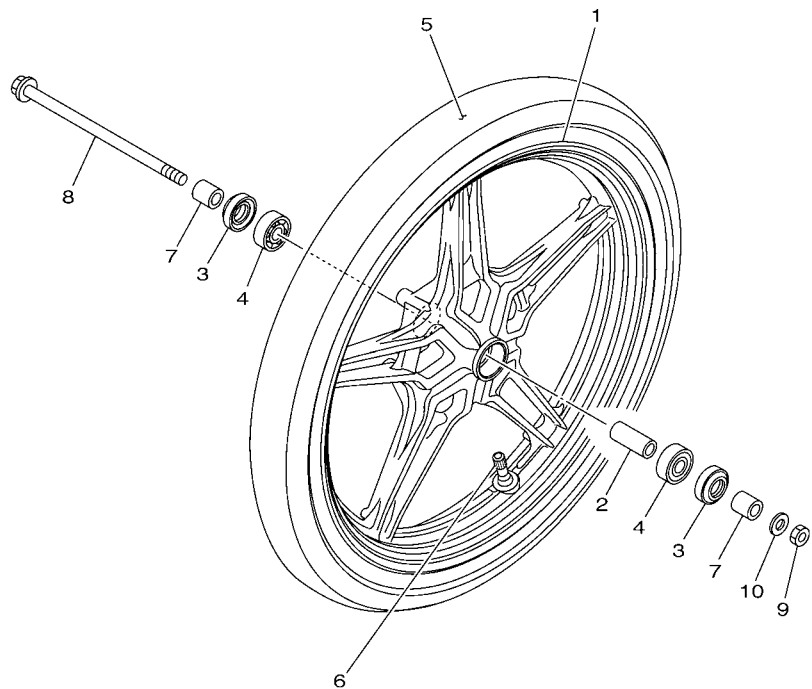


FIG. 24 SEAT

REF. NO.	PART NO.	DESCRIPTION	B171			REMARKS
1	B17-F4730-00	DOUBLE SEAT ASSY	1			UR EXCEPT FOR RM7
	B17-F4730-10	DOUBLE SEAT ASSY	1			UR FOR RM7
2	B17-F470F-00	.SEAT COVER COMP.	1			UR EXCEPT FOR RM7
	B17-F470F-10	.SEAT COVER COMP.	1			UR FOR RM7
3	5VT-F4723-00	.DAMPER, SEAT	4			
4	1FC-F4727-00	PIN, SEAT FITTING	1			
5	1DY-F4780-00	SEAT LOCK ASSY	1			
6	98502-06012	SCREW, PAN HEAD	2			
7	B17-F478E-00	CABLE, SEAT LOCK	1			
8	98502-05010	SCREW, PAN HEAD	1			
9	B17-F4773-00-P0	HANDLE, SEAT	1			VPBC5 FOR S3
	B17-F4773-00-P1	HANDLE, SEAT	1			MBL2 FOR SMX
	B17-F4773-00-P3	HANDLE, SEAT	1			FOR RM7
	██████████	██████████	●			██████████
10	95822-06020	BOLT, FLANGE	4			
11	B17-F1978-00	PROTECTOR, FRAME	1			
12	2PV-F1398-00	HANGER, HELMET	1			

FIG. 25 FRONT WHEEL



REF. NO.	PART NO.	DESCRIPTION	B171				REMARKS
1	2PV-F5168-10-1X	CAST WHEEL, FRONT	1				YB/WSA(S3,DBNM8)
	2PV-F5168-10-2X	CAST WHEEL, FRONT	1				YB/DOS6(SMX)
	2PV-F5168-10-0X	CAST WHEEL, FRONT	1				YB/DRSC(RM7)
2	90560-10292	SPACER	1				
3	93106-20816	OIL SEAL	2				
4	93306-300YL	BEARING	2				
5	94107-17870	TIRE (70/90-17 M/C 38P)	1				UR DURO
	94107-17856	TIRE (70/90-17M/C 38P D102FA)	1				UR DUNLOP
6	93900-00817	VALVE, RIM (TR412)	1				
7	90387-10277	COLLAR	2				
8	3NA-F5181-01	AXLE, WHEEL	1				
9	90185-10091	NUT, SELF-LOCKING	1				
10	90201-101J1	WASHER, PLATE	1				

 2ND1422-P260

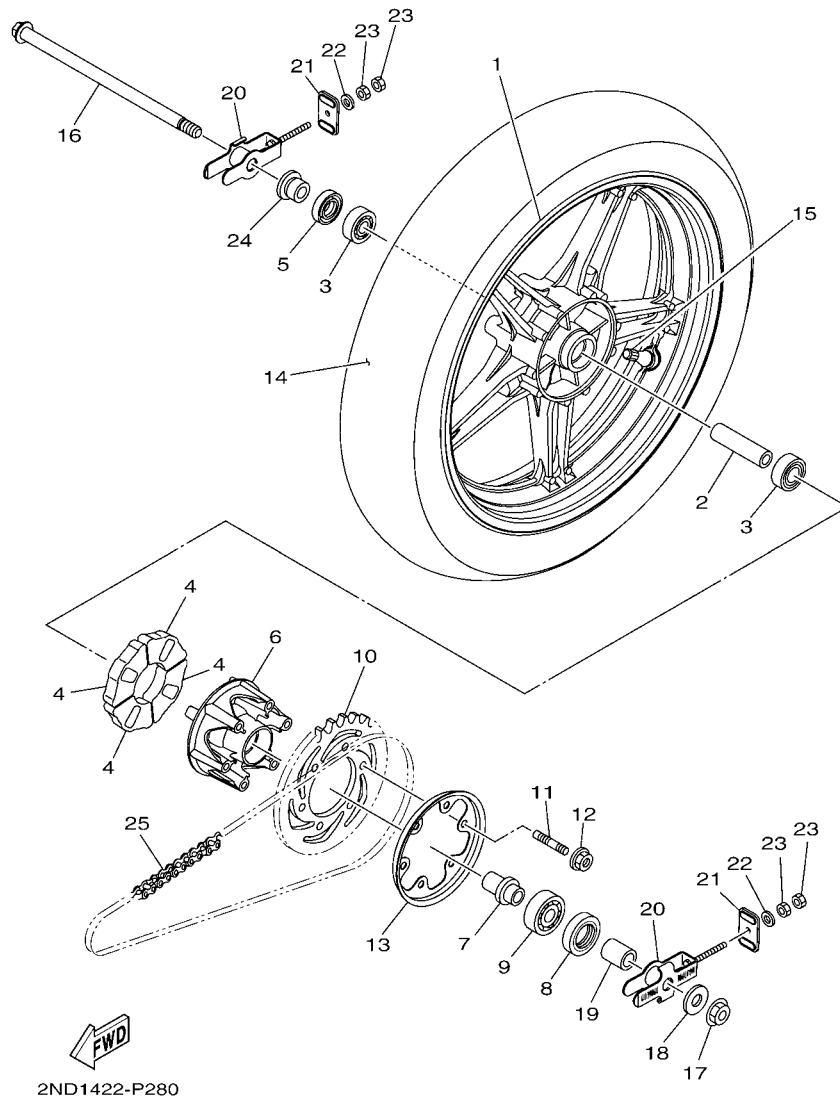


FIG. 27 REAR WHEEL

REF. NO.	PART NO.	DESCRIPTION	B171			REMARKS
1	2PV-F5338-10-1X	CAST WHEEL, REAR	1			YB/WSA(S3 [REDACTED] B)
	2PV-F5338-10-2X	CAST WHEEL, REAR	1			YB/DOS6(SMX)
	2PV-F5338-10-0X	CAST WHEEL, REAR	1			YB/DRSC(RM7)
2	2ND-F5317-00	SPACER, BEARING	1			
3	93306-252X7	BEARING	2			
4	B17-F5364-00	DAMPER	4			
5	93106-22808	OIL SEAL	1			
6	B17-F5366-00	CLUTCH, HUB	1			
7	B17-F5377-00	COLLAR, WHEEL	1			
8	93106-26815	OIL SEAL	1			
9	93306-004XV	BEARING	1			
10	B17-F5442-00	SPROCKET, DRIVEN (42T)	1			
11	90116-08826	BOLT, STUD	6			
12	95602-08200	NUT, U FLANGE	6			
13	B17-F5689-00	PLATE, GUIDE	1			
14	94112-17809	TIRE (120/70-70 M/C 58P)	1			UR DURO
	94112-17804	TIRE (120/70-17 M/C 58P D102A)	1			UR DUNLOP
15	93900-00817	VALVE, RIM (TR412)	1			
16	5BP-F5381-00	AXLE, WHEEL	1			
17	95602-14200	NUT, SELF-LOCKING	1			
18	90201-15030	WASHER, PLATE	1			
19	90387-15830	COLLAR	1			
20	2ND-F5388-00	PULLER, CHAIN 1	2			
21	B17-F2174-00	END 1	2			
22	92902-06600	WASHER, PLATE	2			
23	95302-06600	NUT, HEXAGON	4			
24	B17-F5383-00	COLLAR, WHEEL	1			

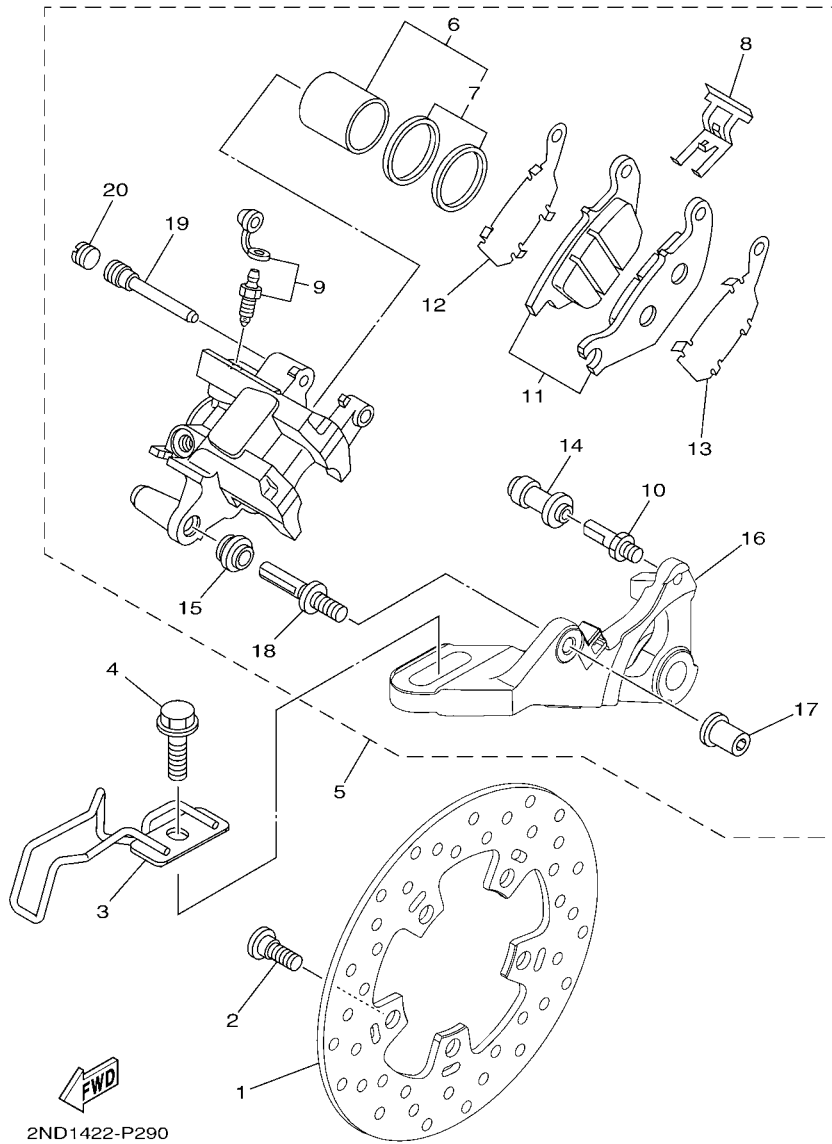
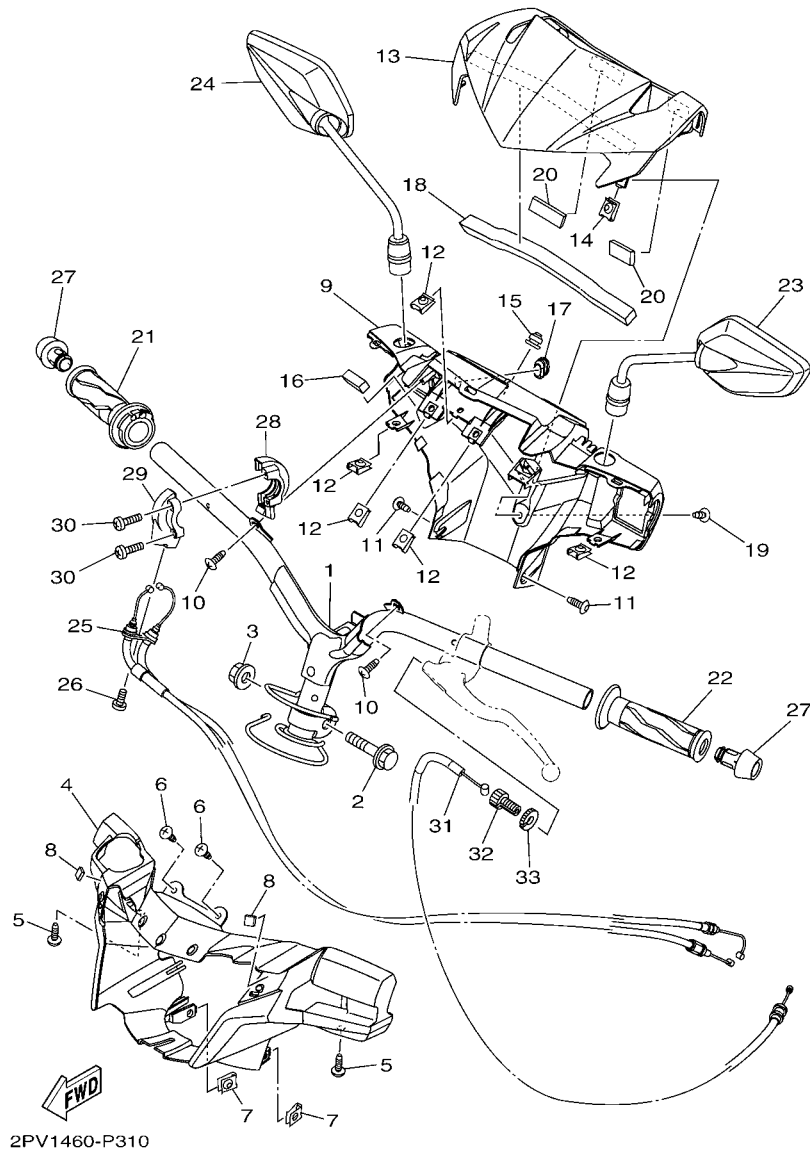


FIG. 28 REAR BRAKE CALIPER

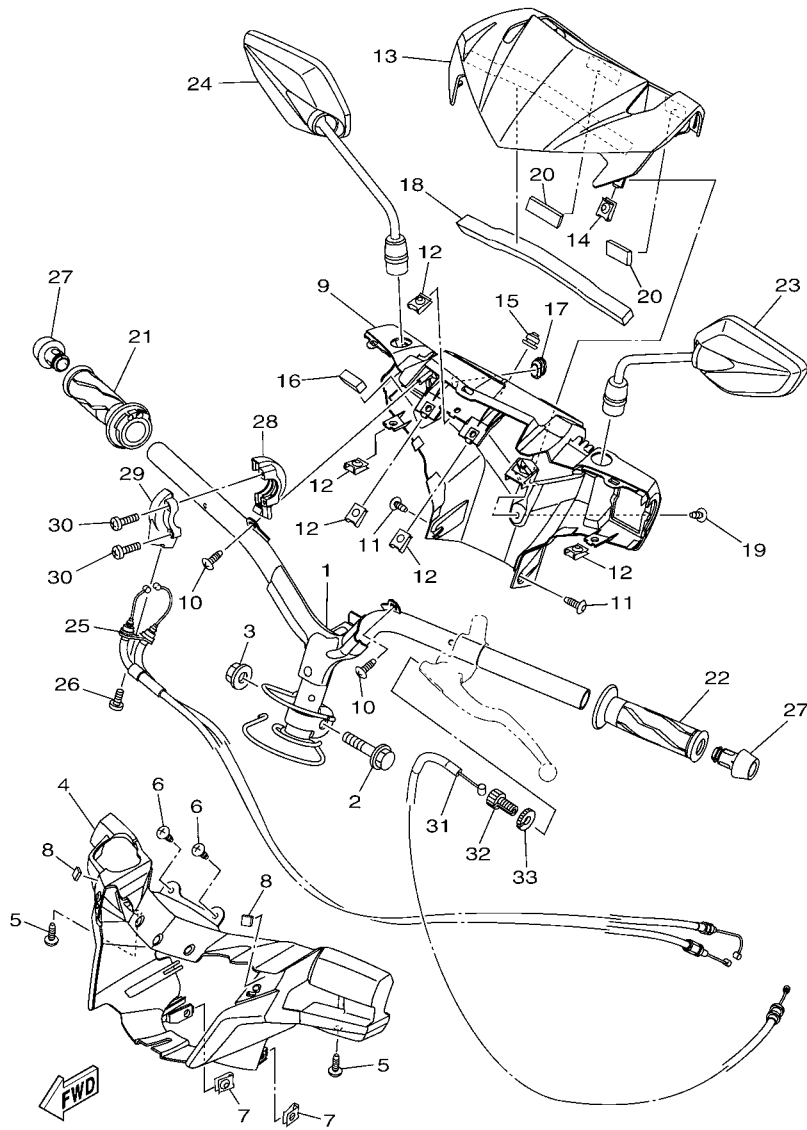
REF. NO.	PART NO.	DESCRIPTION	B171				REMARKS
1	2PV-F582W-00	DISK, REAR BRAKE 2	1				
2	90109-08087	BOLT	5				
3	B17-F2167-00	GUIDE	1				
4	95827-10035	BOLT, FLANGE	1				
5	1PA-F580W-01	CALIPER ASSY, REAR 2	1				
6	50C-F5802-00	.PISTON ASSY, CALIPER	1				
7	3GD-25803-00	..CALIPER SEAL KIT	1				
8	50C-F5919-00	.SUPPORT, PAD	1				
9	50C-W0048-00	.BLEED SCREW KIT	1				
10	50C-F5914-00	.PIN, SLIDE	1				
11	1PA-F5806-00	.BRAKE PAD KIT 2	1				
12	50C-F5827-00	.SHIM, CALIPER	1				
13	50C-F5828-00	.SHIM, CALIPER	1				
14	50C-F5937-00	.BOOT 2	1				
15	50C-F5917-00	.BOOT, CALIPER	1				
16	1PA-F5921-01	.BRACKET, SUPPORT	1				
17	50C-F5961-00	.NUT	1				
18	50C-2536G-00	.PIN	1				
19	50C-F5933-00	.PIN HANGER	1				
20	50C-F5916-00	.PLUG	1				



2PV1460-P310

FIG. 29 STEERING HANDLE & CABLE

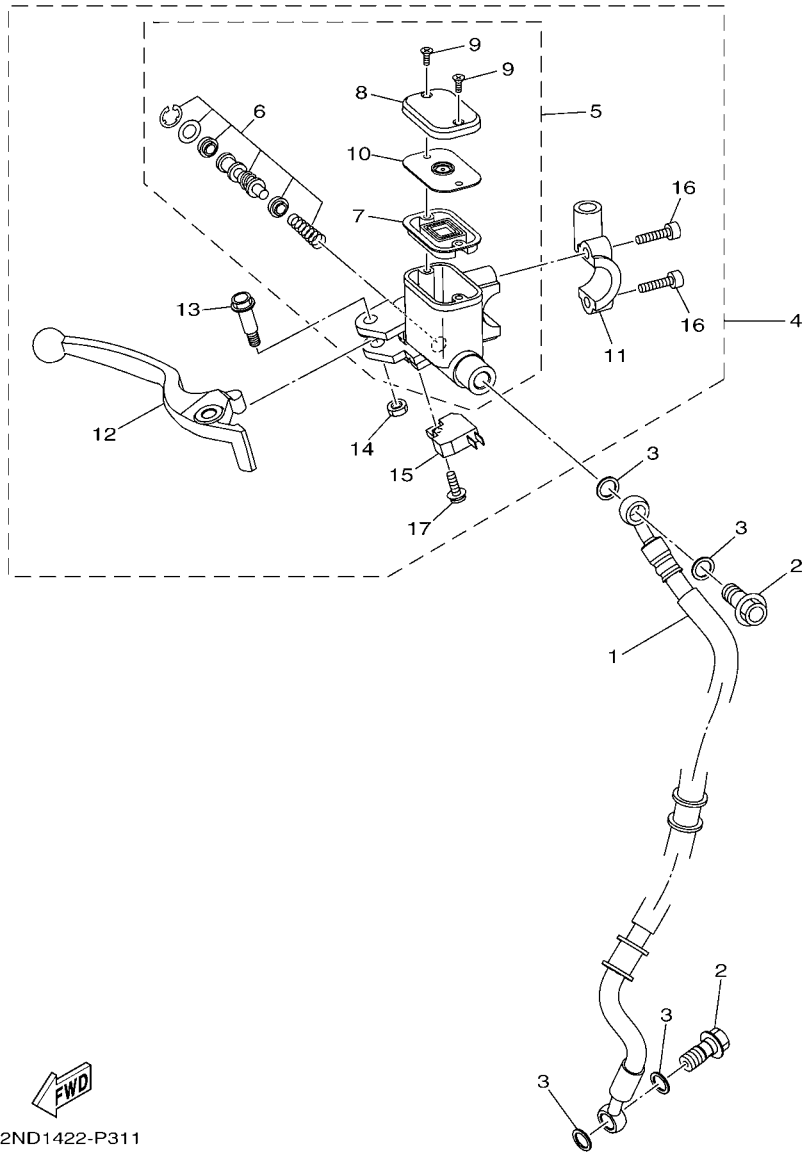
REF. NO.	PART NO.	DESCRIPTION	B171				REMARKS
1	B17-F6110-00	HANDLE COMP.	1				
2	90105-10896	BOLT, FLANGE	1				
3	90185-10011	NUT, SELF-LOCKING	1				
4	B17-F6143-00	COVER, HANDLE UPPER 1	1				
5	90160-05009	SCREW, ROUND TAPPING	2				
6	97702-50016	SCREW, TAPPING	2				
7	90183-05807	NUT, SPRING	2				
8	90520-03825	DAMPER, PLATE	2				
9	B17-F6145-00	COVER, HANDLE UPPER 2	1				
10	97702-50016	SCREW, TAPPING	2				
11	90160-05009	SCREW, ROUND TAPPING	2				
12	90183-05807	NUT, SPRING	5				
13	B17-F6216-00-P0	CAP, HANDLEBAR COVER	1				VPBC5 FOR S3
	B17-F6216-00-P1	CAP, HANDLEBAR COVER	1				FOR SMX
	B17-F6216-00-P3	CAP, HANDLEBAR COVER	1				FOR RM7
14	90183-05807	NUT, SPRING	1				
15	B17-F6133-00	CAP	1				
16	90520-10829	DAMPER, PLATE	1				
17	B17-F6199-00	PLUG, BLIND	1				
18	90520-15808	DAMPER, PLATE	1				
19	90160-05009	SCREW, ROUND TAPPING	1				
20	90520-05816	DAMPER, PLATE	2				
21	B17-F6240-00	GRIP ASSY	1				
22	1VP-F6241-00	GRIP	1				
23	2WB-F6280-00	REAR VIEW MIRROR ASSY (LEFT)	1				
24	2WB-F6290-00	REAR VIEW MIRROR ASSY (RIGHT)	1				



2PV1460-P310

FIG. 29 STEERING HANDLE & CABLE

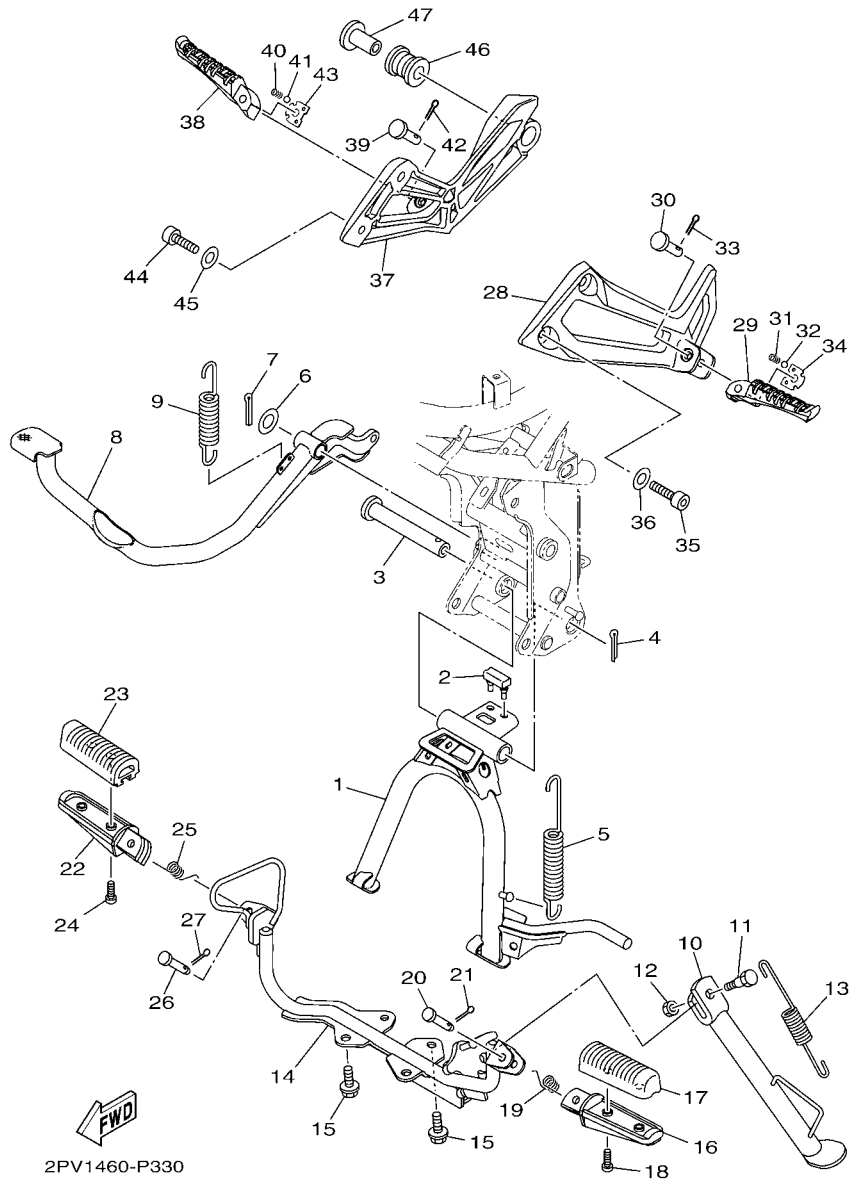
REF. NO.	PART NO.	DESCRIPTION	B171				REMARKS
25	B17-F6301-00	THROTTLE CABLE ASSY	1				
26	92012-05012	BOLT, BUTTON HEAD	1				
27	1VB-F6246-00	END, GRIP	2				
28	5P2-F6281-00	CAP, GRIP UPPER	1				
29	5P2-F6282-00	CAP, GRIP UNDER	1				
30	98507-05025	SCREW, PAN HEAD	2				
31	B17-F6335-00	CABLE, CLUTCH	1				
32	90123-08046	BOLT	1				
33	90170-08401	NUT	1				




 2ND1422-P311

FIG. 30 FRONT MASTER CYLINDER

REF. NO.	PART NO.	DESCRIPTION	B171				REMARKS
1	2ND-F5872-00	HOSE, BRAKE 1	1				
2	90401-10812	BOLT, UNION	2				
3	90201-10118	WASHER, PLATE	4				
4	2ND-F583T-00	MASTER CYLINDER ASSY	1				
5	2ND-F5870-00	.MASTER CYLINDER SUB ASSY	1				
6	5P0-F5807-00	..CYLINDER KIT, MASTER	1				
7	2ND-F5854-00	..DIAPHRAGM, RESERVOIR	1				
8	2ND-F5852-00	..CAP, RESERVOIR	1				
9	36Y-2589H-00	..SCREW	2				
10	2ND-F5855-00	..BUSH,DIAPHRAGM	1				
11	5TL-F5867-11	.BRACKET,MASTER CYLINDER(BLACK)	1				
12	2ND-H3922-00	.LEVER 2	1				
13	90109-06577	.BOLT	1				
14	95602-06100	.NUT, U	1				
15	1HP-83980-01	.FRONT STOP SWITCH ASSY	1				
16	91317-06025	.BOLT	2				
17	97602-04312	.SCREW, PAN HEAD WITH WASHER	1				



2PV1460-P330

FIG. 31 STAND & FOOTREST

REF. NO.	PART NO.	DESCRIPTION	B171				REMARKS
1	B17-F7111-00	STAND, MAIN	1				
2	31D-F7114-00	STOPPER, MAIN STAND	1				
3	5YP-F7112-00	SHAFT, MAIN STAND	1				
4	91401-30030	PIN, COTTER	1				
5	90506-35806	SPRING, TENSION	1				
6	90201-14811	WASHER, PLATE	1				
7	91401-30030	PIN, COTTER	1				
8	B17-F7211-00	PEDAL, BRAKE	1				
9	90506-20041	SPRING, TENSION	1				
10	B17-F7311-00	STAND, SIDE	1				
11	90109-08034	BOLT	1				
12	95307-08700	NUT	1				
13	90506-23809	SPRING, TENSION	1				
14	B17-F7411-00	FOOTREST 1	1				
15	95827-08016	BOLT, FLANGE	4				
16	B17-F7451-00	FOOTREST	1				
17	B17-F7413-00	COVER, FOOTREST	1				
18	98502-05014	SCREW, PAN HEAD	2				
19	90508-183B9	SPRING, TORSION	1				
20	91701-08035	PIN	1				
21	91401-25015	PIN, SPLIT	1				
22	B17-F7461-00	FOOTREST	1				
23	B17-F7413-00	COVER, FOOTREST	1				
24	98502-05014	SCREW, PAN HEAD	2				
25	90508-183B9	SPRING, TORSION	1				
26	91701-08035	PIN	1				
27	91401-25015	PIN, SPLIT	1				

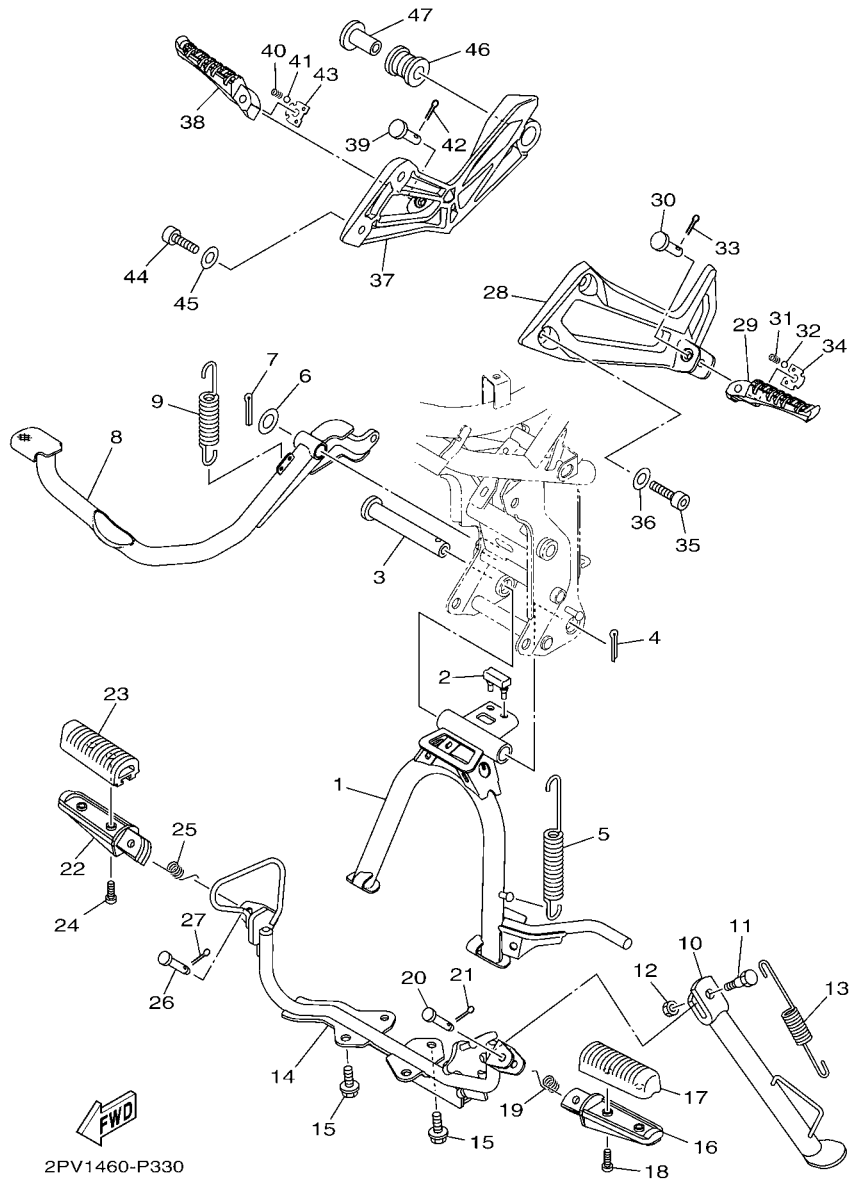


FIG. 31 STAND & FOOTREST

REF. NO.	PART NO.	DESCRIPTION	B171				REMARKS
28	B17-F7452-00-P0	BRACKET, FOOTREST 1	1				MBL2
29	3C1-F7431-01	FOOTREST, REAR 1	1				
30	91701-08042	PIN	1				
31	90501-12743	SPRING, COMPRESSION	1				
32	93501-04823	BALL	1				
33	91401-25015	PIN, SPLIT	1				
34	B17-F7437-00	WASHER, SPECIAL	1				
35	91317-08025	BOLT	2				
36	90201-086P8	WASHER, PLATE	2				
37	B17-F7462-00-P0	BRACKET, FOOTREST 2	1				MBL2
38	3C1-F7441-01	FOOTREST, REAR 2	1				
39	91701-08042	PIN	1				
40	90501-12743	SPRING, COMPRESSION	1				
41	93501-04823	BALL	1				
42	91401-25015	PIN, SPLIT	1				
43	B17-F7437-00	WASHER, SPECIAL	1				
44	91317-08025	BOLT	2				
45	90201-086P8	WASHER, PLATE	2				
46	B17-E4747-00	DAMPER, MUFFLER	1				
47	90387-08812	COLLAR	1				

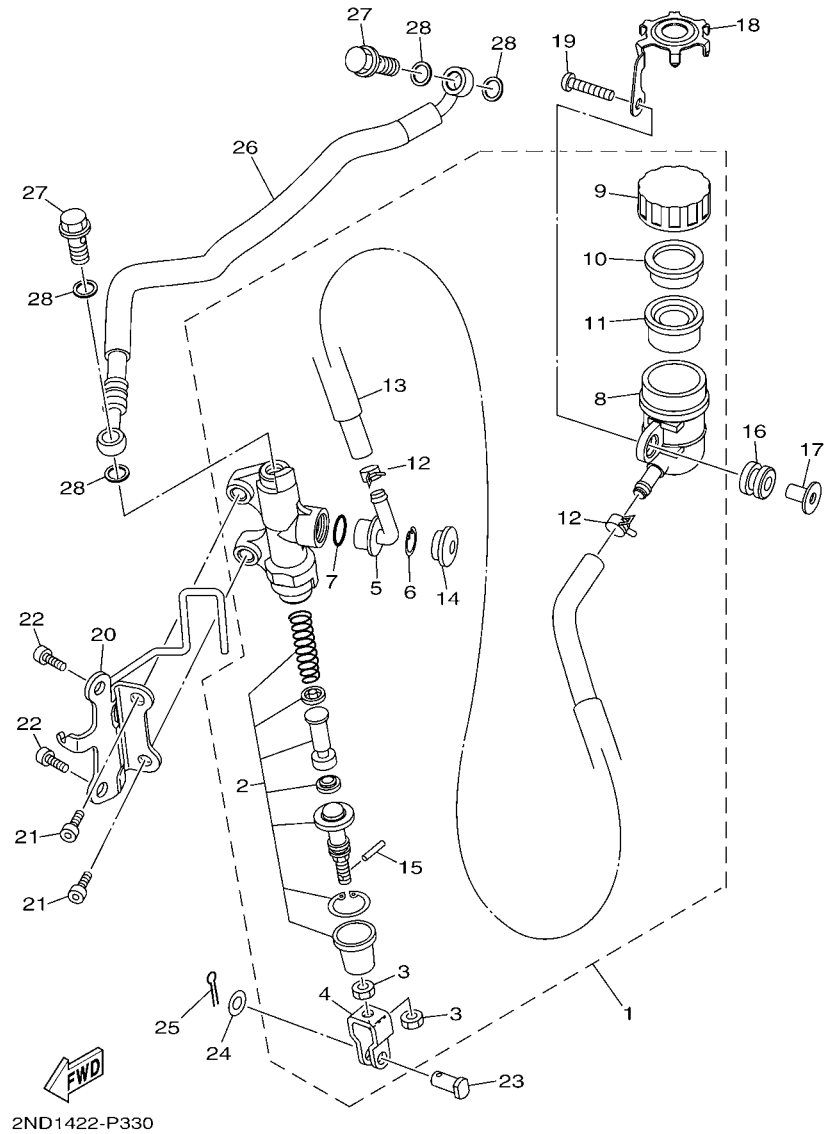


FIG. 32 REAR MASTER CYLINDER

REF. NO.	PART NO.	DESCRIPTION	B171				REMARKS
1	2ND-F580E-00	REAR MASTER CYLINDER ASSY	1				
2	2ND-F5808-00	.CYLINDER KIT, MASTER	1				
3	95301-08700	.NUT	2				
4	50C-F7222-00	.JOINT	1				
5	50C-F582A-50	.JOINT	1				
6	50C-F5866-00	.CIRCLIP	1				
7	93210-15620	.O-RING	1				
8	50C-F5894-11	.TANK, RESERVOIR	1				
9	50C-F5852-00	.CAP, RESERVOIR	1				
10	50C-F5855-00	.BUSH, DIAPHRAGM	1				
11	2VN-F5854-00	.DIAPHRAGM, RESERVOIR	1				
12	90467-12085	.CLIP	2				
13	4S3-F5895-00	.HOSE, RESERVOIR	1				
14	50C-F589A-00	.COVER, DUST	1				
15	5BU-27234-00	.PIN, BRAKE ROD	1				
16	55C-F4742-00	GROMMET	1				
17	55C-F6259-00	COLLAR	1				
18	55C-F5888-00	COVER, RESERVOIR TANK	1				
19	98507-06025	SCREW, PAN HEAD	1				
20	B17-F133F-00	BRACKET, MASTER CYLINDER	1				
21	91317-08020	BOLT	2				
22	91317-08016	BOLT	2				
23	90240-08124	PIN, CLEVIS	1				
24	90201-08083	WASHER, PLATE	1				
25	91401-20012	PIN, COTTER	1				
26	2ND-F5873-00	HOSE, BRAKE 2	1				
27	90401-10812	BOLT, UNION	2				

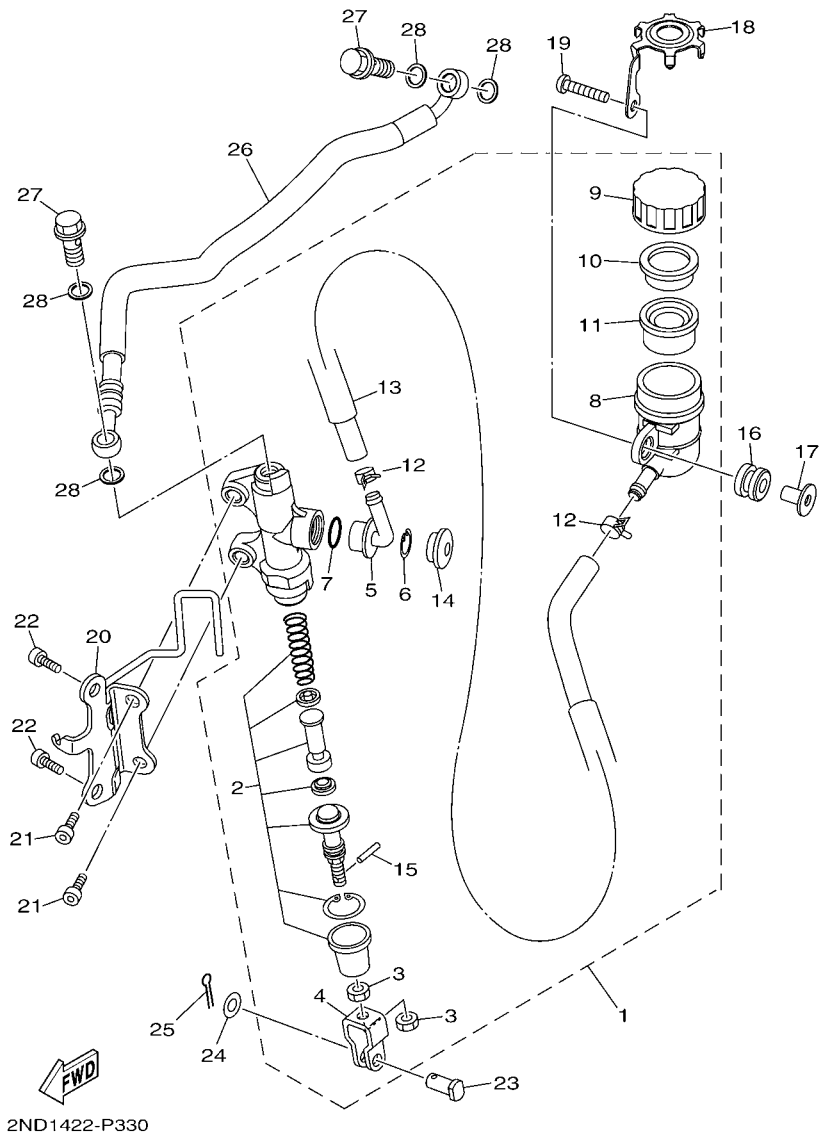


FIG. 32 REAR MASTER CYLINDER

REF. NO.	PART NO.	DESCRIPTION	B171				REMARKS
28	90201-10118	WASHER, PLATE	4				

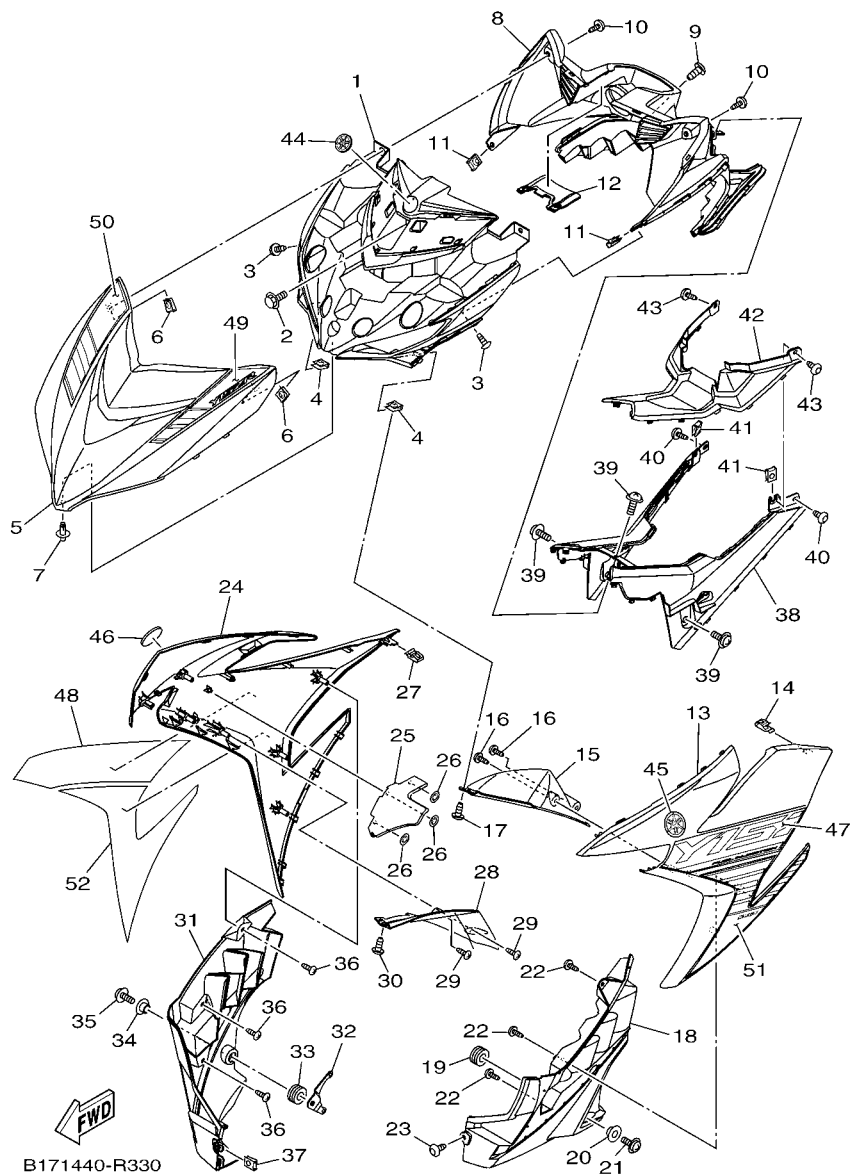


FIG. 33 LEG SHIELD

REF. NO.	PART NO.	DESCRIPTION	B171		REMARKS
1	B17-F836K-00	PANEL, INNER 1	1		
2	90119-06137	BOLT, WITH WASHER	1		
3	90160-05009	SCREW, ROUND TAPPING	2		
4	90183-05807	NUT, SPRING	2		
5	B17-F3391-00-P0	PANEL, FRONT	1		VPBC5 FOR S3
	B17-F3391-00-P1	PANEL, FRONT	1		FOR SMX
	B17-F3391-00-P3	PANEL, FRONT	1		FOR RM7
6	90183-05807	NUT, SPRING	2		
7	90269-06816	RIVET	1		
8	B17-F836L-00	PANEL, INNER 2	1		
9	90159-06817	SCREW, WITH WASHER	1		
10	90160-05009	SCREW, ROUND TAPPING	2		
11	90183-05807	NUT, SPRING	2		
12	B17-F843J-00	COVER 3	1		
13	B17-F835U-00-P0	PANEL 1	1		UR FOR S3
	B17-F835U-00-P1	PANEL 1	1		UR FOR SMX
	B17-F835U-00-P3	PANEL 1	1		UR FOR RM7
14	5P0-F8379-00	HOOK	1		
15	B17-F137U-00	GUIDE, AIR 1	1		
16	97702-40014	SCREW, TAPPING	2		
17	90160-05009	SCREW, ROUND TAPPING	1		
18	B17-F8385-00	COVER, UNDER	1		
19	90480-18418	GROMMET	1		
20	90387-09801	COLLAR	1		
21	90159-06033	SCREW, WITH WASHER	1		

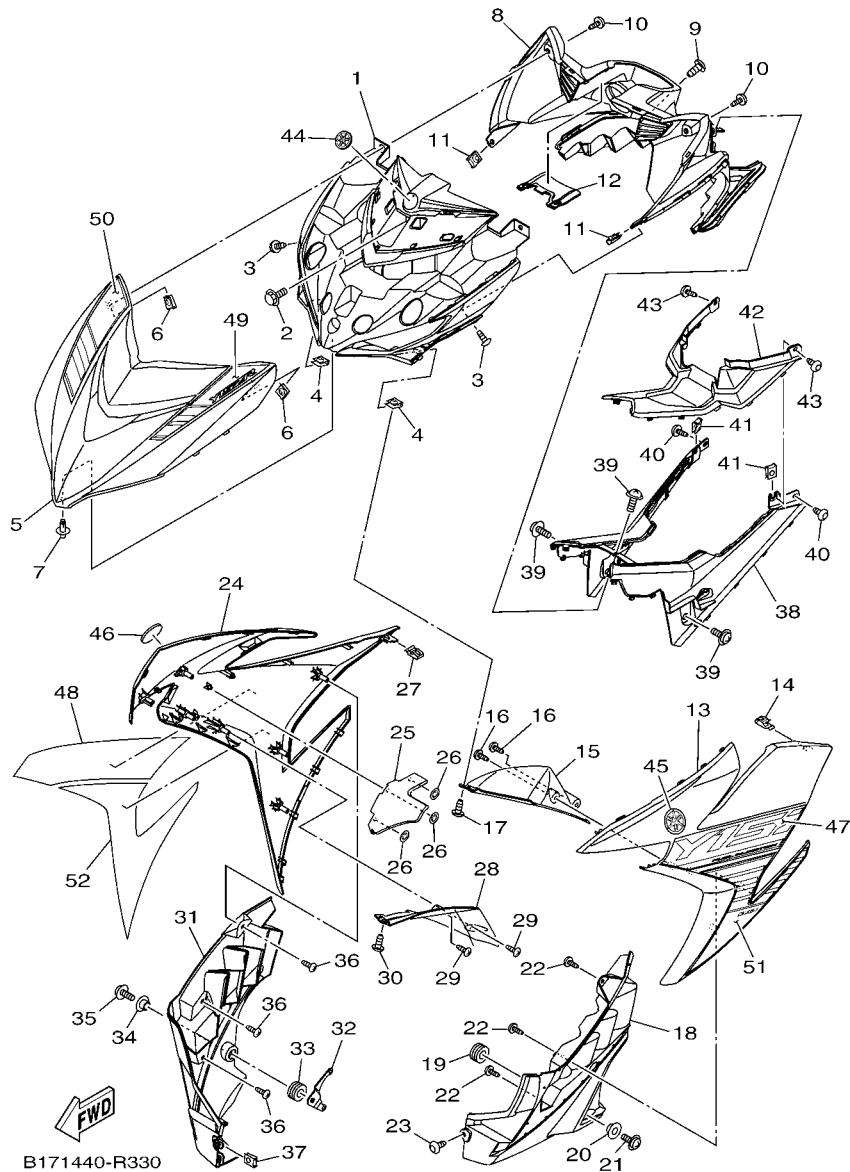


FIG. 33 LEG SHIELD

REF. NO.	PART NO.	DESCRIPTION	B171	REMARKS
22	97702-40014	SCREW, TAPPING	3	
23	90160-05009	SCREW, ROUND TAPPING	1	
24	B17-F835V-00-P0	PANEL 2	1	UR FOR S3
	B17-F835V-00-P1	PANEL 2	1	UR FOR SMX
	B17-F835V-00-P3	PANEL 2	1	UR FOR RM7
<hr style="border-top: 1px dashed black;"/>				
25	B17-F199H-00	SHIELD, HEAT	1	
26	90183-05801	NUT, SPRING	3	
27	5P0-F8379-00	HOOK	1	
28	B17-F137V-00	GUIDE, AIR 2	1	
<hr style="border-top: 1px dashed black;"/>				
29	97702-40014	SCREW, TAPPING	2	
30	90160-05009	SCREW, ROUND TAPPING	1	
31	B17-F8395-00	COVER, UNDER 2	1	
32	B17-F8322-00	STAY 2	1	
33	90480-18418	GROMMET	1	
<hr style="border-top: 1px dashed black;"/>				
34	90387-09801	COLLAR	1	
35	90159-06033	SCREW, WITH WASHER	1	
36	97702-40014	SCREW, TAPPING	3	
37	90183-05807	NUT, SPRING	1	
38	B17-F842M-00-P0	COVER 1	1	UR VPBC5 FOR S3
	B17-F842M-00-P1	COVER 1	1	UR MBL2 FOR SMX
	B17-F842M-00-P3	COVER 1	1	UR S8 FOR RM7
<hr style="border-top: 1px dashed black;"/>				
39	90159-06033	SCREW, WITH WASHER	3	
40	90160-05009	SCREW, ROUND TAPPING	2	
41	90183-05807	NUT, SPRING	2	
42	B17-F842N-00	COVER 2	1	

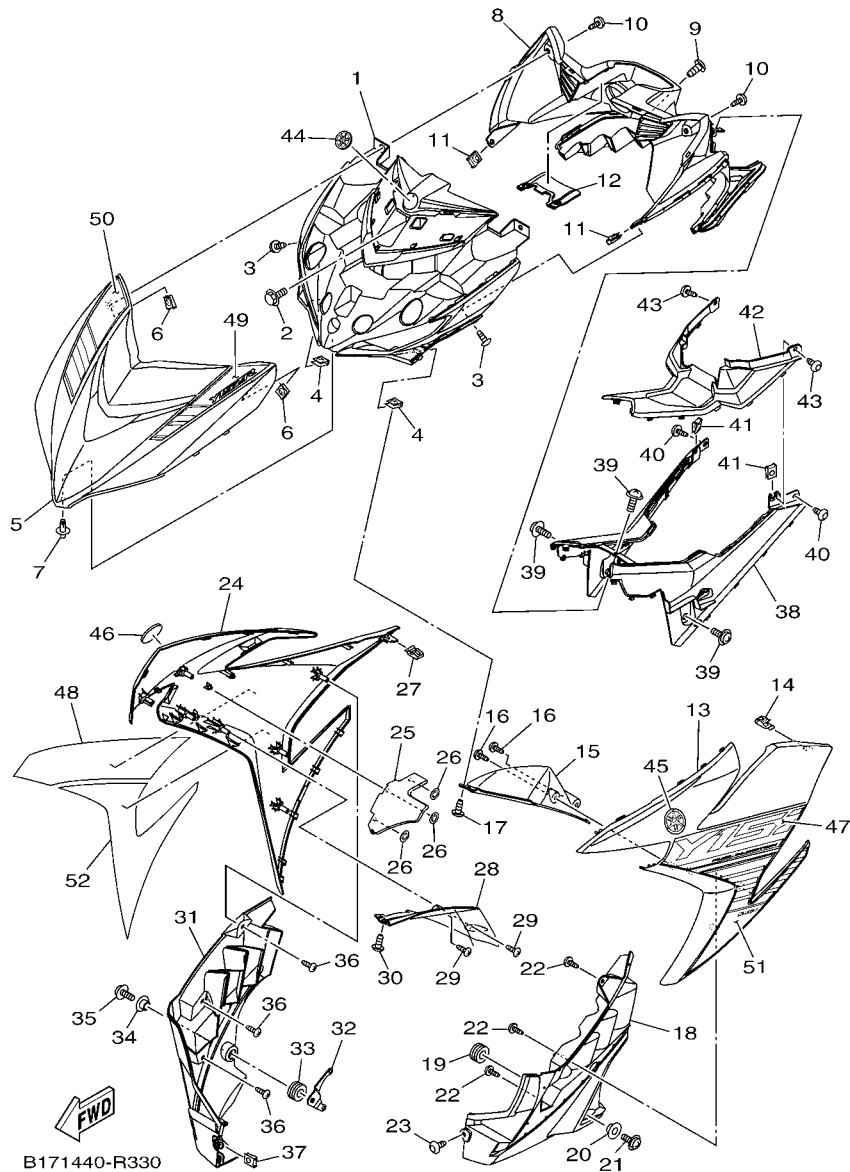
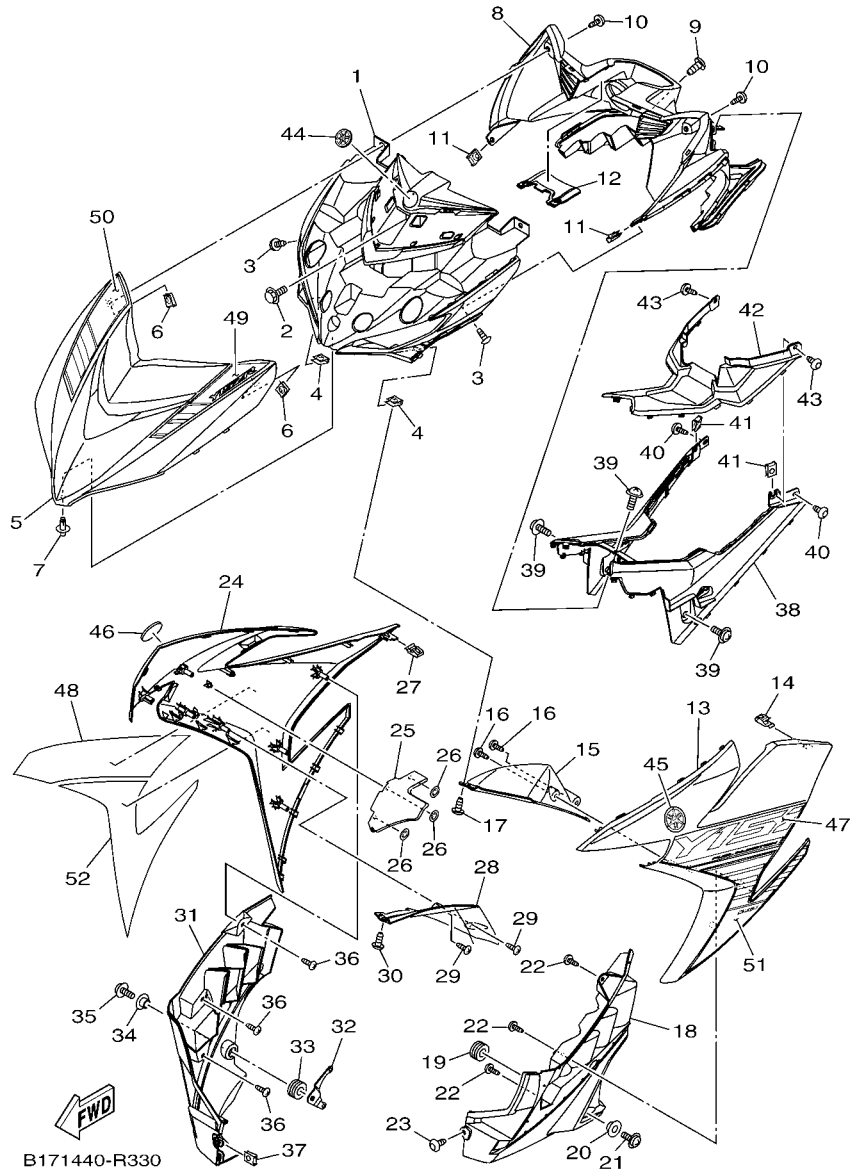


FIG. 33 LEG SHIELD

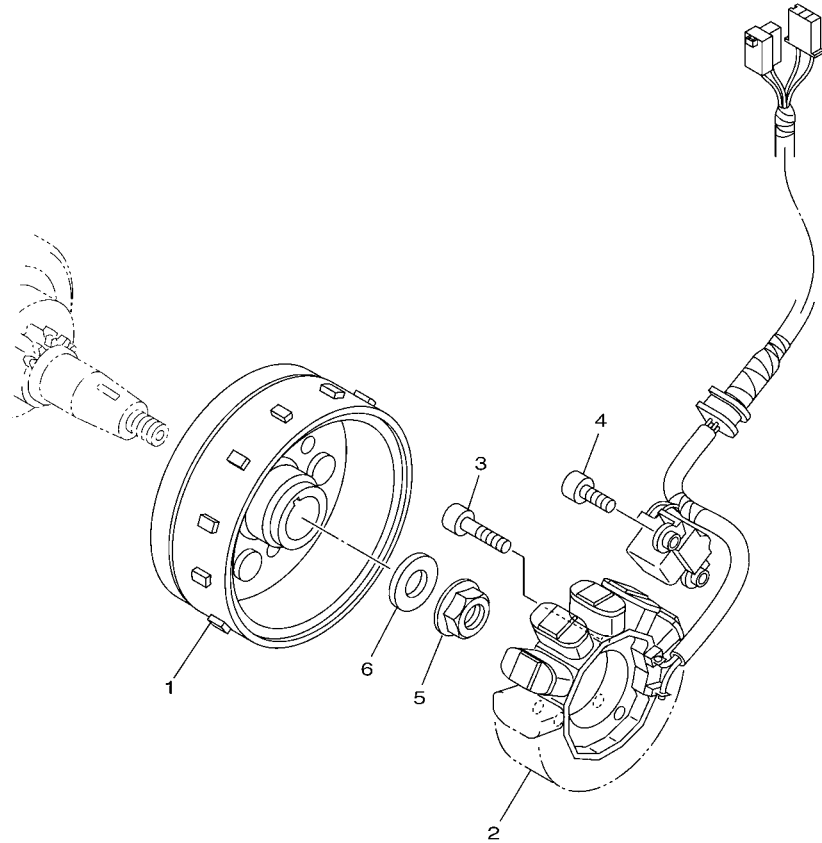
REF. NO.	PART NO.	DESCRIPTION	B171		REMARKS
43	90160-05009	SCREW, ROUND TAPPING	2		
44	1PA-F836B-00	TUNING FORK MARK	1		
45	2PV-F836B-00	TUNING FORK MARK	1		
46	2PV-F837B-00	TUNING FORK MARK	1		
47	B17-F8391-00	GRAPHIC 1	1		UR FOR S3
	B17-F8391-10	GRAPHIC 1	1		UR FOR SMX
	B17-F8391-20	GRAPHIC 1	1		UR FOR RM7
	██████████	██████████	●		██████████
48	B17-F8392-00	GRAPHIC 2	1		UR FOR S3
	B17-F8392-10	GRAPHIC 2	1		UR FOR SMX
	B17-F8392-20	GRAPHIC 2	1		UR FOR RM7
	██████████	██████████	●		██████████
49	B17-F8393-00	GRAPHIC 3	1		UR FOR S3
	B17-F8393-10	GRAPHIC 3	1		UR FOR SMX
	B17-F8393-20	GRAPHIC 3	1		UR FOR RM7
	██████████	██████████	●		██████████
50	B17-F8394-00	GRAPHIC 4	1		UR FOR S3
	B17-F8394-10	GRAPHIC 4	1		UR FOR SMX
	B17-F8394-20	GRAPHIC 4	1		UR FOR RM7
	██████████	██████████	●		██████████
51	B17-F8398-00	GRAPHIC 5	1		UR FOR S3
	B17-F8398-10	GRAPHIC 5	1		UR FOR SMX
	B17-F8398-20	GRAPHIC 5	1		UR FOR RM7
	██████████	██████████	●		██████████
52	B17-F8399-00	GRAPHIC 6	1		UR FOR S3
	B17-F8399-10	GRAPHIC 6	1		UR FOR SMX
	B17-F8399-20	GRAPHIC 6	1		UR FOR RM7

33 LEG SHIELD



REF. NO.	PART NO.	DESCRIPTION	B171	REMARKS
52			●	

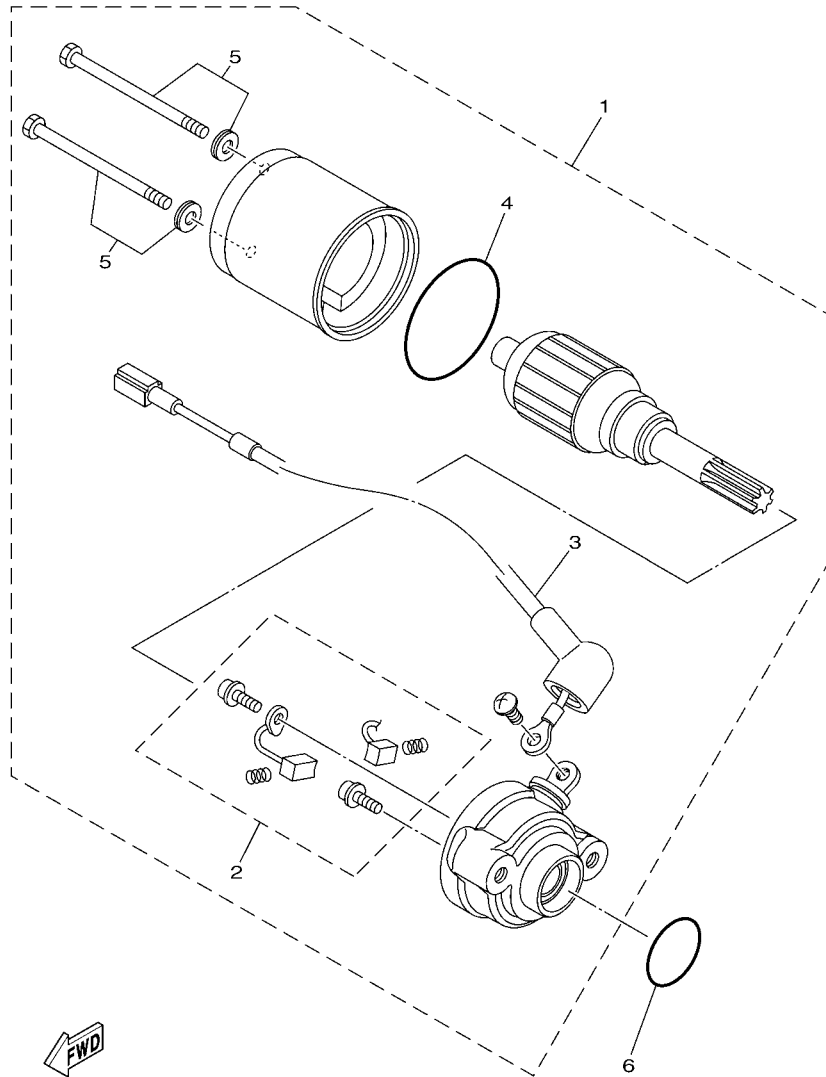





 2ND1422-P360

FIG. 34 GENERATOR

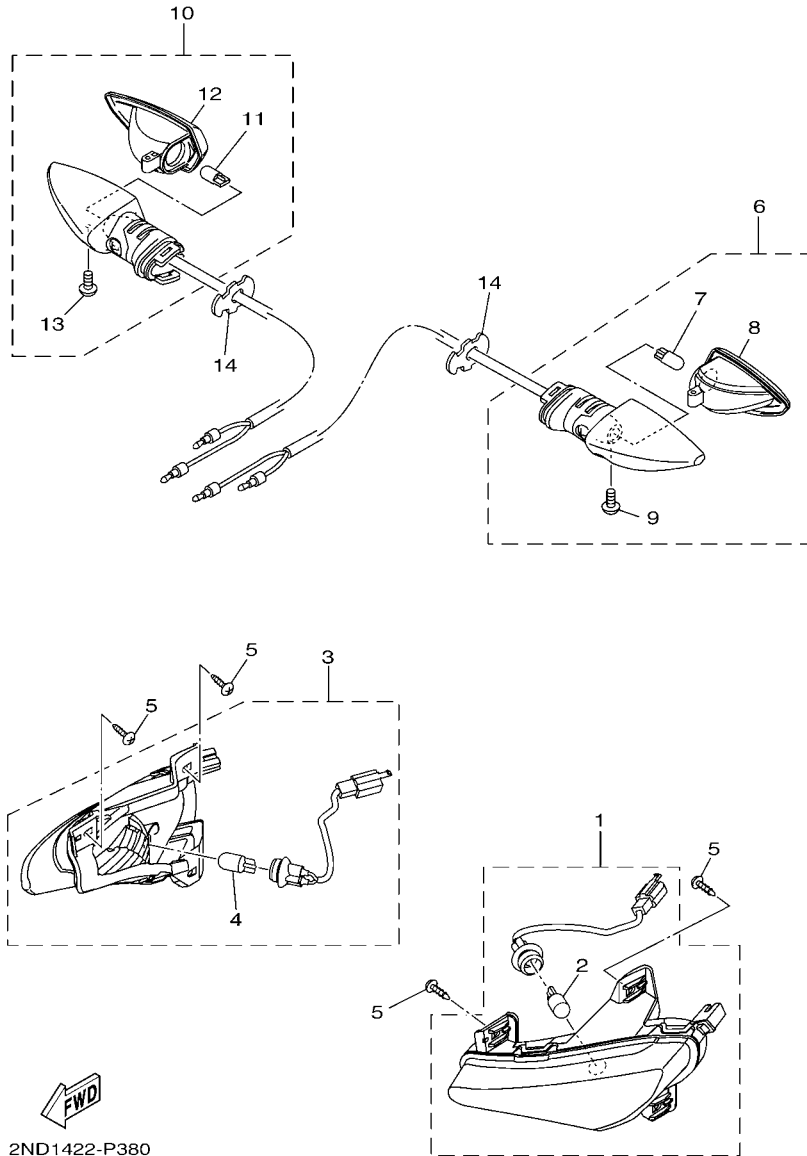
REF. NO.	PART NO.	DESCRIPTION	B171				REMARKS
1	2PV-H1450-00	ROTOR ASSY	1				
2	2PV-H1410-00	STATOR ASSY	1				
3	91312-06025	BOLT, HEXAGON SOCKET HEAD	3				
4	91312-06016	BOLT	2				
5	95702-12500	NUT, FLANGE	1				
6	90201-12019	WASHER, PLATE	1				



2ND1422-P370

FIG. 35 STARTING MOTOR

REF. NO.	PART NO.	DESCRIPTION	B171				REMARKS
1	2PV-H1800-00	STARTING MOTOR ASSY	1				
2	5TP-H1801-00	.BRUSH SET	1				
3	5D7-H183G-00	.CORD COMP.	1				
4	5D9-H1861-00	.GASKET	1				
5	5D9-H1828-00	.SCREW 2	2				
6	93210-26805	O-RING	1				



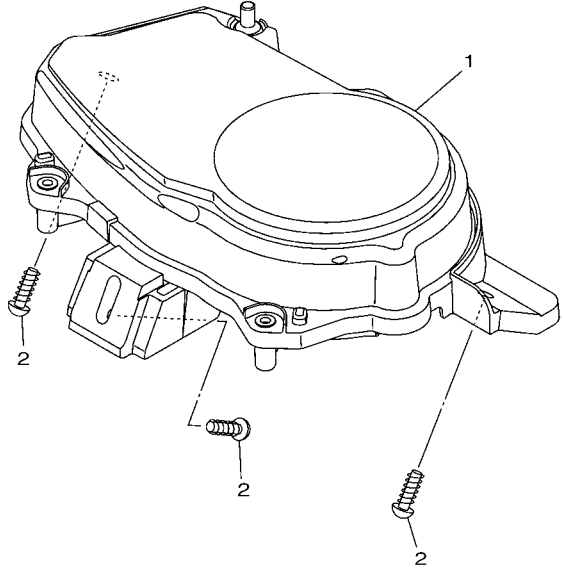
2ND1422-P380

FIG. 36 FLASHER LIGHT

REF. NO.	PART NO.	DESCRIPTION	B171				REMARKS
1	2ND-H3310-00	FRONT FLASHER LIGHT ASSY 1	1				
2	2CB-H3311-00	.BULB, FLASHER (12V-10W)	1				
3	2ND-H3320-00	FRONT FLASHER LIGHT ASSY 2	1				
4	2CB-H3311-00	.BULB, FLASHER (12V-10W)	1				
5	97702-40014	SCREW, TAPPING	4				
6	2ND-H3330-00	REAR FLASHER LIGHT ASSY 1	1				
7	2CB-H3311-00	.BULB, FLASHER (12V-10W)	1				
8	2ND-H334A-00	.LENS COMP 2	1				
9	2ND-H3333-00	.SCREW, LENS FITTING	1				
10	2ND-H3340-00	REAR FLASHER LIGHT ASSY 2	1				
11	2CB-H3311-00	.BULB, FLASHER (12V-10W)	1				
12	2ND-H333A-00	.LENS COMP 1	1				
13	2ND-H3333-00	.SCREW, LENS FITTING	1				
14	2PV-H3318-00	STAY, FLASHER 1	2				

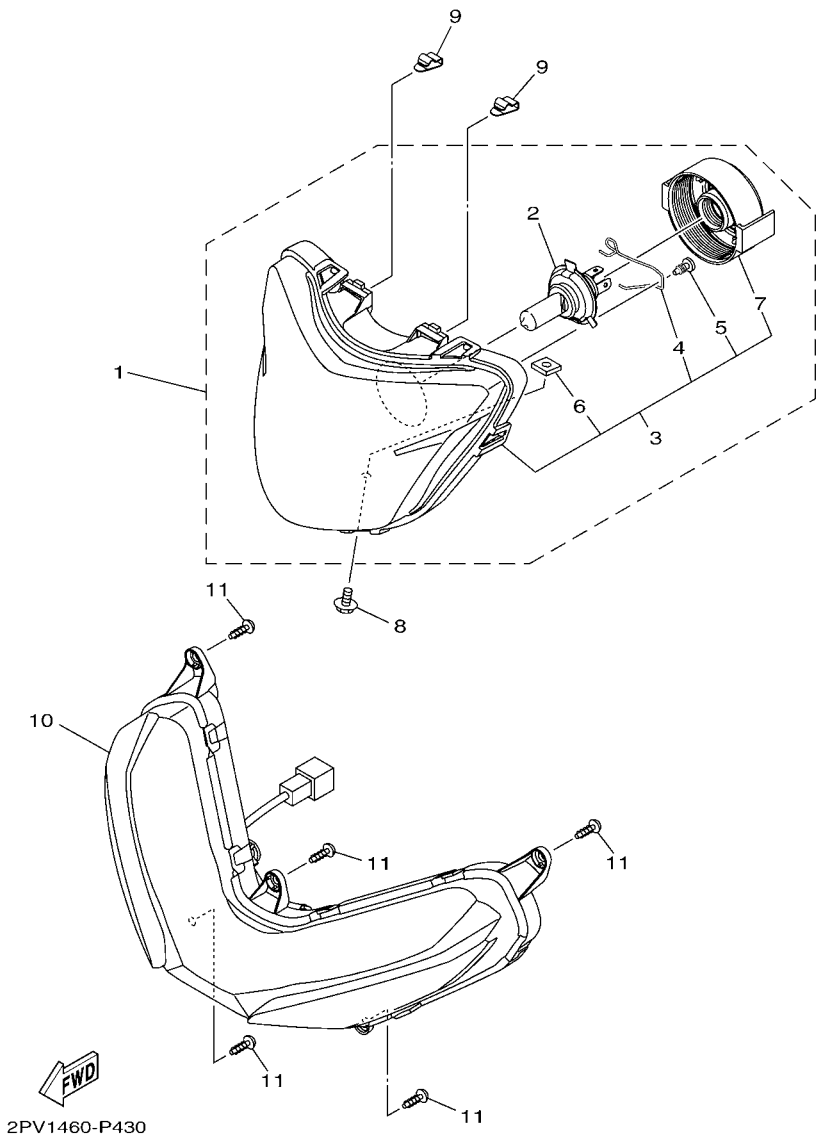
FIG. 37 METER

REF. NO.	PART NO.	DESCRIPTION	B171					REMARKS
1	2PV-H3500-00	METER ASSY	1					
2	97702-50016	SCREW, TAPPING	3					



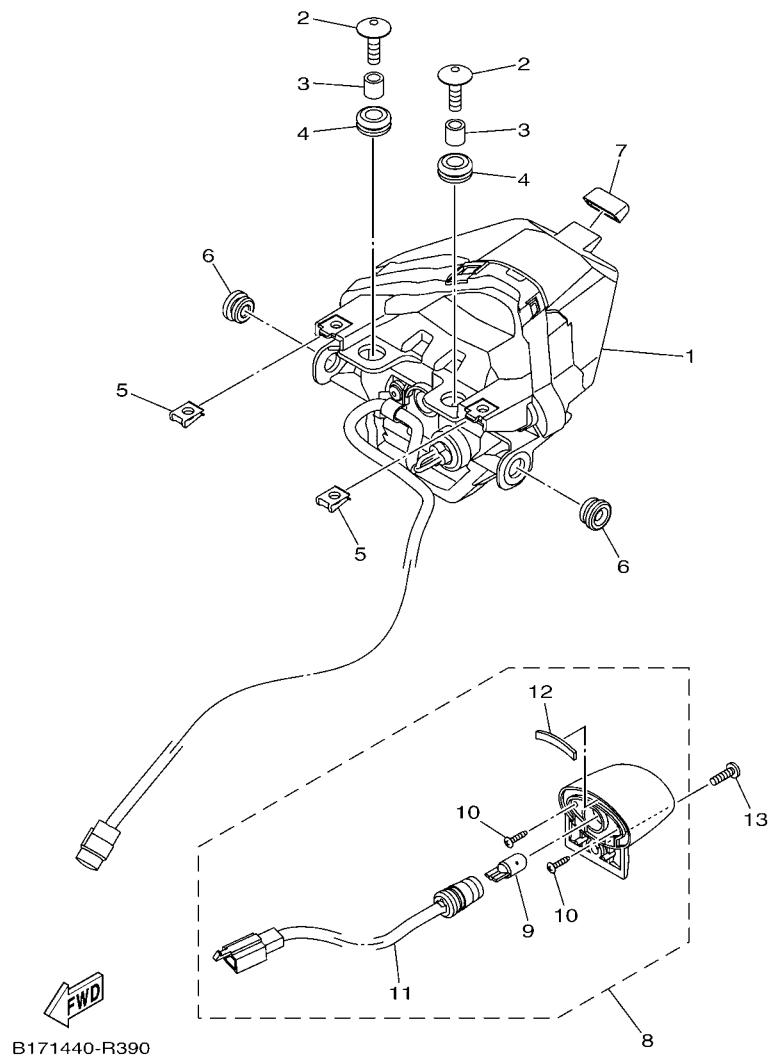

2ND1422-P390

FIG. 38 HEADLIGHT

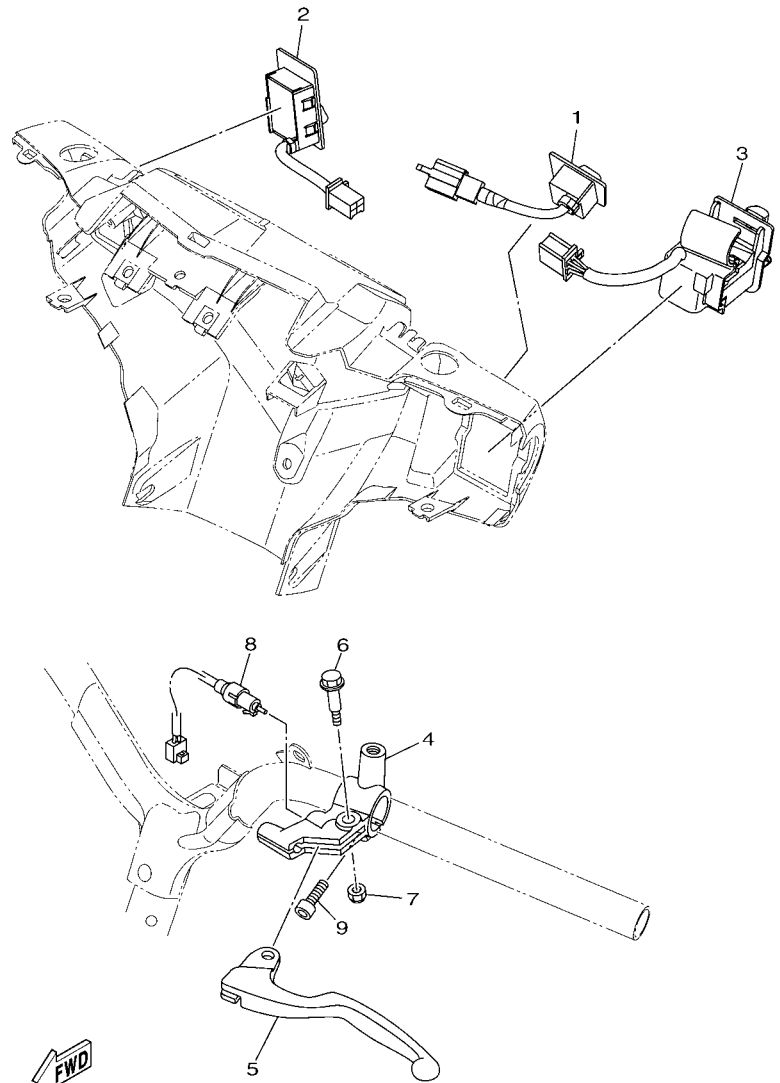


REF. NO.	PART NO.	DESCRIPTION	B171				REMARKS
1	2PV-H4310-00	HEADLIGHT UNIT ASSY	1				
2	1PA-H4314-00	.BULB, HEADLIGHT (12V-35/35W)	1				
3	2PV-H4103-00	.HEADLIGHT UNIT ASSY	1				
4	54D-H4335-00	..SPRING	1				
5	1PA-H4365-00	..SCREW	1				
6	4NR-H4317-00	..NUT	1				
7	54D-H4397-00	..COVER, SOCKET	1				
8	90119-06155	BOLT, WITH WASHER	1				
9	3S0-H4374-00	CLIP	2				
10	2PV-H4301-00	PILOT LIGHT ASSY 1	1				
11	97702-50016	SCREW, TAPPING	5				

FIG. 39 TAILLIGHT



REF. NO.	PART NO.	DESCRIPTION	B171				REMARKS
1	1WD-H4710-01	TAILLIGHT UNIT ASSY	1				
2	90111-06137	BOLT,HEX. SOCKET BUTTON	2				
3	90387-068C2	COLLAR	2				
4	90480-13001	GROMMET	2				
5	90183-05807	NUT, SPRING	2				
6	90480-10003	GROMMET	2				
7	B17-H4759-00	GROMMET	1				
8	2ND-H4740-00	LICENCE LIGHT ASSY	1				
9	2ND-H4744-00	.BULB (12V-5W)	1				
10	1CK-H4726-00	.SCREW	2				
11	1CK-H4547-00	.CORD, LICENCE LIGHT	1				
12	2ND-H4527-00	.DAMPER	1				
13	98907-04014	SCREW, BIND	1				



2PV1460-P460

FIG. 40 HANDLE SWITCH & LEVER

REF. NO.	PART NO.	DESCRIPTION	B171				REMARKS
1	2PV-H3976-00	SWITCH, HANDLE 1	1				
2	2PV-H3976-10	SWITCH, HANDLE 1	1				
3	2PV-H3975-10	SWITCH, HANDLE 2	1				
4	55P-H2911-00	HOLDER, LEVER 1	1				
5	55P-H3912-10	LEVER 1	1				
6	90109-06827	BOLT	1				
7	95607-06100	NUT, U	1				
8	55P-H2917-00	SWITCH	1				
9	91317-06020	BOLT	1				

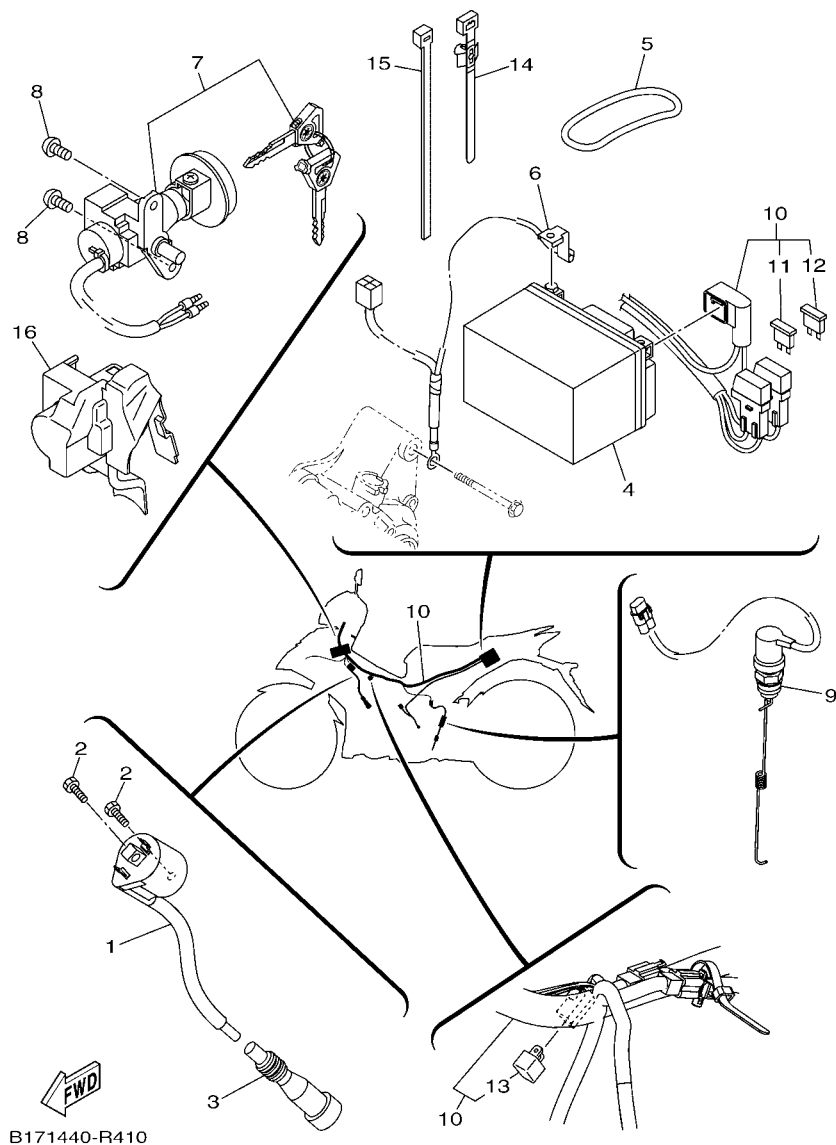
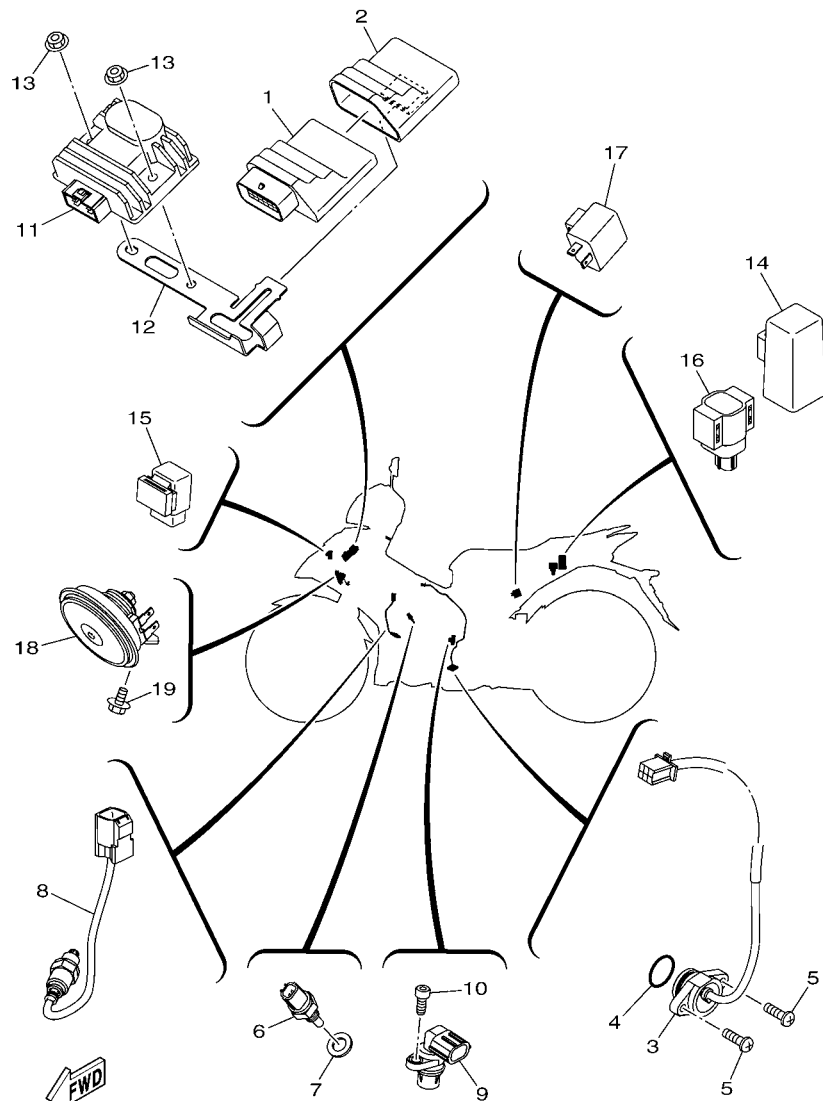


FIG. 41 ELECTRICAL 1

REF. NO.	PART NO.	DESCRIPTION	B171				REMARKS
1	2PV-H2310-00	IGNITION COIL ASSY	1				
2	97002-06016	BOLT, HEXAGON	2				
3	2ND-H2370-00	PLUG CAP ASSY	1				
4	2CB-H2100-00	BATTERY ASSY (GS GTZ4V)	1				
5	5TL-H2131-00	BAND, BATTERY	1				
6	B17-H2116-00	WIRE, MINUS LEAD	1				
7	1VP-H252E-00	MAIN SWITCH COMP.	1				
8	90149-06309	SCREW	2				
9	2PV-H2530-00	STOP SWITCH ASSY	1				
10	B17-H2590-00	WIRE HARNESS ASSY	1				
11	1VP-H2151-00	.FUSE (15A)	1				
12	31D-H2151-00	.FUSE (7.5A)	1				
13	3WP-81980-00	.DIODE ASSY	1				
14	90464-34002	CLAMP	4				
15	90464-50800	CLAMP	2				
16	1FC-F3472-10	PROTECTOR	1				



2ND1422-P440

FIG. 42 ELECTRICAL 2

REF. NO.	PART NO.	DESCRIPTION	B171				REMARKS
1	2PV-H591A-00	ENGINE CONTROL UNIT ASSY	1				
2	2PV-H5546-00	BAND	1				
3	2PV-H2540-00	NEUTRAL SWITCH ASSY	1				
4	93210-21801	O-RING	1				
5	98502-05016	SCREW, PAN HEAD	2				
6	52B-H3591-00	THERMO UNIT	1				
7	90430-10802	GASKET	1				
8	2BM-H592A-00	SENSOR, OXYGEN	1				
9	1PA-H3755-00	SENSOR, SPEED	1				
10	91312-06014	BOLT	1				
11	2PV-H1960-00	RECTIFIER & REGULATOR ASSY	1				
12	B17-F8426-00	BRACKET 1	1				
13	95702-06500	NUT, FLANGE	2				
14	5TP-H1940-00	STARTER RELAY ASSY	1				
15	3C1-H1950-00	RELAY ASSY	1				
16	1PA-H2576-00	SENSOR, LEAN ANGLE	1				
17	1PA-H3350-00	FLASHER RELAY ASSY	1				
18	B17-H3371-00	HORN	1				
19	95802-06012	BOLT, FLANGE	1				

NUMERICAL INDEX

PART NO.	REF. NO.	PART NO.	REF. NO.	PART NO.	REF. NO.	PART NO.	REF. NO.	PART NO.	REF. NO.	PART NO.	REF. NO.
5YP-12411-00	6 - 1	2ND-E2210-00	4 - 16	2PV-E4450-00	8 - 19	1PA-E7151-00	14 - 2	B17-F1721-00-P0	19 - 2	2PV-F3110-00	22 - 8
50C-2536G-00	28 - 18	2PV-E2213-00	4 - 17	3C1-E4452-00	8 - 21	3C1-E7211-00	14 - 12	B17-F1721-00-P1	19 - 2	1FC-F3111-10	22 - 16
3GD-25803-00	28 - 7	54P-E2228-00	4 - 14	2PV-E4453-00	8 - 20	3C1-E7221-00	14 - 20	B17-F1721-00-P2	19 - 2	B17-F3126-00	22 - 2
36Y-2589H-00	30 - 9	1PA-E2231-00	4 - 12	3C1-E4485-00	8 - 25	3C1-E7231-00	14 - 18	B17-F1721-00-P3	19 - 2	B17-F3136-00	22 - 5
5BU-27234-00	32 - 15	2PV-E2241-00	4 - 13	1S8-E4613-00	9 - 5	3C1-E7241-00	14 - 17	B17-F172K-00	19 - 17	2ND-F3141-00	22 - 15
3WP-81980-00	41 - 13	3C1-E2256-00	4 - 15	B17-E4703-00	9 - 1	2PV-E7251-00	14 - 14	B17-F172L-00	19 - 22	5LL-F3144-00	22 - 14
1HP-83980-01	30 - 15	2ND-E2280-00	4 - 6	B17-E4718-00	9 - 2	3C1-E7285-00	14 - 19	B17-F172M-00	19 - 25	4UV-F3145-00	22 - 3
B17-E1102-00	1 - 1	1S7-E2288-00	4 - 7	B17-E4747-00	31 - 46	2PV-E7402-20	14 - 11	B17-F172M-10	19 - 23		22 - 6
1S8-E111F-00	4 - 9	2ND-E2405-00	6 - 6	B17-E4799-00	9 - 3	2PV-E7411-00	14 - 1	1S8-F172W-00	19 - 27	2JG-F3147-00	22 - 17
1S7-E1133-10	1 - 2	2ND-E240A-00	6 - 4	2PV-E5113-00	11 - 7	3C1-E7411-10	14 - 1	B17-F1731-00-P4	19 - 3	5TF-F3152-00	22 - 11
2PV-E1166-00	8 - 30	1S8-E2413-00	6 - 2	B17-E5142-00	11 - 15	1S8-E7456-00	14 - 27	B17-F1731-00-P5	19 - 3	5P0-F3153-00	22 - 18
2PV-E1181-00	1 - 15	2PV-E2422-00	5 - 1	B17-E5150-00	10 - 1	3C1-E7471-00	14 - 9	B17-F1731-00-P6	19 - 3	5P0-F3156-00	22 - 4
2PV-E1185-00	5 - 4	2PV-E2428-00	5 - 3	1S8-E5351-00	7 - 3	2ND-E8101-00	16 - 4	B17-F173E-00	19 - 33		22 - 7
B17-E1191-00	1 - 7	2PV-E2443-00	1 - 8	3C1-E5362-00	11 - 16	B17-E8110-00	16 - 9	B17-F173E-10	19 - 33	2JG-F3157-00	22 - 10
2PV-E1193-00	1 - 11	1S7-E2450-01	5 - 7	55P-E5377-00	10 - 6	5H3-E8113-00	16 - 10	B17-F173E-20	19 - 33	509-F3158-00	22 - 12
2ND-E1196-00	5 - 5	2ND-E2461-00	6 - 5	B17-E5411-00	11 - 1	21C-E8140-00	16 - 1	B17-F173E-30	19 - 33	5P2-F3170-00	22 - 9
2PV-E1311-00	1 - 19	B17-E2481-00	6 - 13	B17-E5418-00	11 - 8	3C1-E8337-00	16 - 3	B17-F173F-00	19 - 34	31D-F3181-50	22 - 13
1S8-E1351-00	1 - 20	B17-E2482-00	6 - 15	B17-E5421-00	11 - 10	2ND-E8511-00	15 - 4	B17-F173F-10	19 - 34	B17-F331A-00	21 - 8
2PV-E1361-00	1 - 12	2PV-E2576-00	6 - 17	2PV-E5441-00	4 - 18	2ND-E8512-00	15 - 5	B17-F173F-20	19 - 34	B17-F3340-00	22 - 19
B17-E1400-00	2 - 1	33S-E2590-00	6 - 9	2PV-E5451-00	11 - 2	2ND-E8513-00	15 - 6	B17-F173F-30	19 - 34	31B-F3346-00	22 - 21
B17-E1412-00	2 - 2	2ND-E2671-00	6 - 8	2PV-E5461-00	11 - 11	1PA-E8531-00	15 - 7	B17-F1741-00-P4	19 - 8	B17-F334G-00	21 - 14
B17-E1422-00	2 - 6	2ND-E2675-00	6 - 7	2PV-E5514-00	12 - 2	2PV-E8540-00	15 - 1	B17-F1741-00-P5	19 - 8	B17-F3391-00-P0	33 - 5
2FB-E1454-00	2 - 21	2PV-E3300-00	7 - 1	38B-E5521-00	12 - 3	5TP-E8542-00	15 - 2	B17-F1741-00-P6	19 - 8	B17-F3391-00-P1	33 - 5
45P-E1496-00	2 - 16	2PV-E3324-00	7 - 8	2PV-E5524-00	12 - 6	B17-F1110-00	17 - 1	B17-F174G-00	19 - 35	B17-F3391-00-P2	33 - 5
3C1-E1531-10	2 - 22	3C1-E3327-00	7 - 13	1ST-E5580-00	12 - 9	B17-F113J-00	22 - 22	B17-F174G-10	19 - 35	B17-F3391-00-P3	33 - 5
3C1-E1536-10	2 - 15	38B-E3411-00	7 - 4	1ST-E5583-00	12 - 10	B17-F113K-00	22 - 26	B17-F174G-20	19 - 35	4FP-F3411-10	22 - 20
3C1-E1549-10	2 - 7	38B-E3440-00	7 - 7	1ST-E5614-00	12 - 11	55P-F1173-00	19 - 24	B17-F174G-30	19 - 35	4RT-F3411-10	21 - 4
1PA-E1603-00	2 - 14	55C-E3447-00	7 - 9	3C1-E6111-00	13 - 1	B17-F133F-00	32 - 20	B17-F174H-00	19 - 36	1KL-F3412-10	21 - 1
3C1-E1631-11	2 - 11	1PA-E3556-00	8 - 2	45P-E6135-00	13 - 18	B17-F137U-00	33 - 15	B17-F174H-10	19 - 36	4RT-F3412-10	21 - 3
3C1-E1633-10	2 - 12	2PV-E3557-00	8 - 11	3C1-E6144-00	13 - 16	B17-F137V-00	33 - 28	B17-F174H-20	19 - 36	5TL-F3416-00	21 - 6
3C1-E1651-11	2 - 5	2PV-E3585-00	8 - 1	2PV-E6150-00	13 - 5	2PV-F1398-00	24 - 12	B17-F174H-30	19 - 36	1P6-F341E-10	21 - 5
3C1-E1681-10	2 - 3	1PA-E3635-00	8 - 3	2ND-E6154-00	13 - 6	B17-F1511-00-P0	18 - 1	B17-F174J-00	19 - 37	5VL-F341E-10	21 - 2
1S7-E1951-00	5 - 8	2PV-E3750-00	8 - 14	38B-E6193-00	13 - 2	B17-F1511-00-P1	18 - 1	B17-F174J-10	19 - 37	1FC-F3472-10	41 - 16
1S7-E1952-02	5 - 9	1PA-E3767-00	8 - 13	2PV-E6321-00	13 - 8	B17-F1511-00-P2	18 - 1	B17-F174J-20	19 - 37	B17-F4100-00	23 - 1
2PV-E2111-00	3 - 1	5D7-E3770-00	8 - 6	2PV-E6324-00	13 - 10	B17-F1511-00-P3	18 - 1	B17-F174J-30	19 - 37	1DB-F414G-01	23 - 10
2ND-E2113-00	3 - 4	2ND-E3907-00	23 - 7	2UP-E6331-00	13 - 9	B17-F160E-00	18 - 15	55C-F1817-00	19 - 30	B17-F41B1-00	23 - 16
1PA-E2117-00	3 - 6	54P-E3915-00	23 - 8	2ND-E6333-00	13 - 12	B17-F1611-00	18 - 3	5YP-F1871-00	19 - 15	B17-F4452-00	23 - 17
3S0-E2118-00	3 - 5	54P-E3938-00	8 - 7	45P-E6337-00	13 - 13	B17-F1629-00	18 - 7	5YP-F1875-00	19 - 21	B17-F4491-00	23 - 11
1PA-E2119-00	3 - 3	2PV-E3971-00	23 - 13	3C1-E6344-00	13 - 17	B17-F164F-00	18 - 11	B17-F1978-00	24 - 11	4YY-F4610-00	23 - 14
2PV-E2121-00	3 - 2	54P-E4137-00	8 - 8	2PV-E6345-00	13 - 21	B17-F164G-00	18 - 14	B17-F199H-00	33 - 25	4YY-F4612-00	23 - 15
55P-E2126-00	3 - 7	54P-E4147-00	8 - 9	45P-E6351-00	13 - 11	B17-F1650-00	20 - 6	B17-F2100-00-P0	20 - 1	B17-F470F-00	24 - 2
2ND-E2151-00	3 - 8	5CA-E4147-00	8 - 10	45P-E6356-00	13 - 15	B17-F1711-00-P0	19 - 1	5B9-F2123-00	20 - 2	B17-F470F-10	24 - 2
1CK-E2156-00	3 - 14	2PV-E4199-00	8 - 4	1PA-E6357-00	13 - 22	B17-F1711-00-P1	19 - 1	B17-F2151-00	20 - 3	5VT-F4723-00	24 - 3
5YP-E2157-00	4 - 8	2PV-E4411-00	8 - 16	2ND-E6358-00	13 - 14	B17-F1711-00-P2	19 - 1	B17-F2167-00	28 - 3	1FC-F4727-00	24 - 4
2ND-E2159-00	3 - 9	2PV-E4412-00	8 - 17	45P-E6371-00	13 - 7	B17-F1711-00-P3	19 - 1	B17-F2174-00	27 - 21	B17-F4730-00	24 - 1
		2PV-E441J-00	8 - 27	2ND-E6380-00	13 - 20	B17-F171E-00-P4	19 - 13	B17-F2210-00	20 - 9	B17-F4730-10	24 - 1
		2PV-E4437-00	8 - 18	3C1-E7121-00	14 - 6	B17-F171E-00-P5	19 - 13	B17-F2535-00	17 - 8	55C-F4742-00	32 - 16
2ND-E2161-00	3 - 11	5TL-E443E-00	8 - 23	3C1-E7131-00	14 - 5	B17-F171E-00-P6	19 - 13	B17-F3100-00	22 - 1	B17-F4773-00-P0	24 - 9
2PV-E2170-00	4 - 1										

NUMERICAL INDEX

PART NO.	REF. NO.	PART NO.	REF. NO.	PART NO.	REF. NO.	PART NO.	REF. NO.	PART NO.	REF. NO.	PART NO.	REF. NO.
B17-F4773-00-P1	24 - 9	2ND-F5872-00	30 - 1	B17-F7413-00	31 - 17	B17-F8398-00	33 - 51	2ND-H3333-00	36 - 13	90109-08087	26 - 2
B17-F4773-00-P2	24 - 9	2ND-F5873-00	32 - 26		31 - 23	B17-F8398-10	33 - 51	2ND-H333A-00	36 - 12		28 - 2
B17-F4773-00-P3	24 - 9	B17-F5876-00	21 - 12	3C1-F7431-01	31 - 29	B17-F8398-20	33 - 51	2ND-H3340-00	36 - 10	90110-06873	12 - 13
1DY-F4780-00	24 - 5	50C-F587A-00	21 - 10	B17-F7437-00	31 - 34	B17-F8398-30	33 - 51	2ND-H334A-00	36 - 8	90111-06137	39 - 2
B17-F478E-00	24 - 7	55C-F5888-00	32 - 18		31 - 43	B17-F8399-00	33 - 52	1PA-H3350-00	42 - 17	90111-06807	9 - 4
B17-F478X-00	17 - 2	50C-F5894-11	32 - 8	3C1-F7441-01	31 - 38	B17-F8399-10	33 - 52	B17-H3371-00	42 - 18	90111-06848	18 - 8
2PV-F5168-10-0X	25 - 1	4S3-F5895-00	32 - 13	B17-F7451-00	31 - 16	B17-F8399-20	33 - 52	2PV-H3500-00	37 - 1	90116-08826	27 - 11
2PV-F5168-10-1X	25 - 1	50C-F589A-00	32 - 14	B17-F7452-00-P0	31 - 28	B17-F8399-30	33 - 52	52B-H3591-00	42 - 6	90119-06044	18 - 5
2PV-F5168-10-2X	25 - 1	50C-F5914-00	28 - 10	B17-F7461-00	31 - 22	B17-F8426-00	42 - 12	1PA-H3755-00	42 - 9		19 - 16
3NA-F5181-01	25 - 8	50C-F5916-00	28 - 20	B17-F7462-00-P0	31 - 37	B17-F842M-00-P0	33 - 38	55P-H3912-10	40 - 5	90119-06117	20 - 7
2ND-F5317-00	27 - 2	2BM-F5917-00	26 - 6	1S8-F8100-00	18 - 16	B17-F842M-00-P1	33 - 38	2ND-H3922-00	30 - 12	90119-06137	8 - 29
2PV-F5338-10-0X	27 - 1	50C-F5917-00	28 - 15	B17-F8173-00	18 - 17	B17-F842M-00-P2	33 - 38	2PV-H3975-10	40 - 3		33 - 2
2PV-F5338-10-1X	27 - 1	2BM-F5919-00	26 - 11	B17-F8322-00	33 - 32	B17-F842M-00-P3	33 - 38	2PV-H3976-00	40 - 1	90119-06155	38 - 8
2PV-F5338-10-2X	27 - 1	50C-F5919-00	28 - 8	B17-F835U-00-P0	33 - 13	B17-F842N-00	33 - 42	2PV-H3976-10	40 - 2	90119-06885	18 - 2
B17-F5364-00	27 - 4	2ND-F5920-00	26 - 13	B17-F835U-00-P1	33 - 13	B17-F843J-00	33 - 12	2PV-H4103-00	38 - 3	90123-08046	29 - 32
B17-F5366-00	27 - 6	1PA-F5921-01	28 - 16	B17-F835U-00-P2	33 - 13	2PV-H1410-00	34 - 2	2PV-H4301-00	38 - 10	90149-06309	41 - 8
B17-F5377-00	27 - 7	5YP-F5924-00	26 - 12	B17-F835U-00-P3	33 - 13	2PV-H1450-00	34 - 1	2PV-H4310-00	38 - 1	90159-06033	33 - 21
4NP-F5381-00	20 - 4	5YP-F5925-01	26 - 10	B17-F835V-00-P0	33 - 24	2PV-H1800-00	35 - 1	1PA-H4314-00	38 - 2		33 - 35
5BP-F5381-00	27 - 16	50C-F5933-00	28 - 19	B17-F835V-00-P1	33 - 24	5TP-H1801-00	35 - 2	4NR-H4317-00	38 - 6		33 - 39
B17-F5383-00	27 - 24	50C-F5937-00	28 - 14	B17-F835V-00-P2	33 - 24	5D9-H1828-00	35 - 5	54D-H4335-00	38 - 4	90159-06817	33 - 9
2ND-F5388-00	27 - 20	5YP-F5937-00	26 - 7	B17-F835V-00-P3	33 - 24	5D7-H183G-00	35 - 3	1PA-H4365-00	38 - 5	90160-05009	19 - 4
B17-F5442-00	27 - 10	50C-F5961-00	28 - 17	1PA-F836B-00	19 - 32	5D9-H1861-00	35 - 4	3S0-H4374-00	38 - 9		19 - 9
B17-F5689-00	27 - 13	B17-F6110-00	29 - 1		33 - 44	5TP-H1940-00	42 - 14	54D-H4397-00	38 - 7		19 - 14
2BM-F5802-00	26 - 4	B17-F6133-00	29 - 15	2PV-F836B-00	33 - 45	3C1-H1950-00	42 - 15	2ND-H4527-00	39 - 12		29 - 5
50C-F5802-00	28 - 6	B17-F6143-00	29 - 4	B17-F836K-00	33 - 1	2PV-H1960-00	42 - 11	1CK-H4547-00	39 - 11		29 - 11
5YP-F5803-50	26 - 5	B17-F6145-00	29 - 9	B17-F836L-00	33 - 8	2CB-H2100-00	41 - 4	1WD-H4710-01	39 - 1		29 - 19
2DP-F5805-00	26 - 9	B17-F6199-00	29 - 17	1S8-F8372-00	23 - 6	B17-H2116-00	41 - 6	1CK-H4726-00	39 - 10		33 - 3
1PA-F5806-00	28 - 11	B17-F6216-00-P0	29 - 13	5P0-F8379-00	33 - 14	5TL-H2131-00	41 - 5	2ND-H4740-00	39 - 8		33 - 10
5P0-F5807-00	30 - 6	B17-F6216-00-P1	29 - 13		33 - 27	1VP-H2151-00	41 - 11	2ND-H4744-00	39 - 9		33 - 17
2ND-F5808-00	32 - 2	B17-F6216-00-P2	29 - 13	2PV-F837B-00	33 - 46	31D-H2151-00	41 - 12	B17-H4759-00	39 - 7		33 - 23
2ND-F580E-00	32 - 1	B17-F6216-00-P3	29 - 13	B17-F8385-00	33 - 18	2PV-H2310-00	41 - 1	1CJ-H5111-00	22 - 23		33 - 30
2ND-F580U-00	26 - 3	B17-F6240-00	29 - 21	B17-F8391-00	33 - 47	2ND-H2370-00	41 - 3		22 - 27		33 - 40
1PA-F580W-01	28 - 5	1VP-F6241-00	29 - 22	B17-F8391-10	33 - 47	1VP-H252E-00	41 - 7	54P-H5130-00	18 - 10		33 - 43
50C-F5827-00	28 - 12	1VB-F6246-00	29 - 27	B17-F8391-20	33 - 47	2PV-H2530-00	41 - 9	2PV-H5546-00	42 - 2	90163-05803	8 - 22
50C-F5828-00	28 - 13	55C-F6259-00	32 - 17	B17-F8391-30	33 - 47	2PV-H2540-00	42 - 3	2ND-H5752-00	23 - 9	90170-05803	3 - 10
50C-F582A-50	32 - 5	2WB-F6280-00	29 - 23	B17-F8392-00	33 - 48	1PA-H2576-00	42 - 16	2PV-H591A-00	42 - 1		3 - 13
2ND-F582U-00	26 - 1	5P2-F6281-00	29 - 28	B17-F8392-10	33 - 48	B17-H2590-00	41 - 10	2BM-H592A-00	42 - 8	90170-08401	29 - 33
2PV-F582W-00	28 - 1	5P2-F6282-00	29 - 29	B17-F8392-20	33 - 48	55P-H2911-00	40 - 4	4C9-W0048-00	26 - 8	90170-10012	2 - 28
2ND-F583T-00	30 - 4	2WB-F6290-00	29 - 24	B17-F8392-30	33 - 48	55P-H2917-00	40 - 8	50C-W0048-00	28 - 9	90179-10805	17 - 6
2ND-F5852-00	30 - 8	B17-F6301-00	29 - 25	B17-F8393-00	33 - 49	2ND-H3310-00	36 - 1	90105-10221	17 - 4	90179-12808	13 - 4
50C-F5852-00	32 - 9	B17-F6335-00	29 - 31	B17-F8393-10	33 - 49	2CB-H3311-00	36 - 2	90105-10831	26 - 14	90179-14001	13 - 19
2ND-F5854-00	30 - 7	B17-F7111-00	31 - 1	B17-F8393-20	33 - 49		36 - 4	90105-10855	20 - 10	90179-25033	21 - 7
2VN-F5854-00	32 - 11	5YP-F7112-00	31 - 3	B17-F8393-30	33 - 49		36 - 7	90105-10886	17 - 5	90183-05801	33 - 26
2ND-F5855-00	30 - 10	31D-F7114-00	31 - 2	B17-F8394-00	33 - 50		36 - 11	90105-10896	29 - 2	90183-05807	18 - 6
50C-F5855-00	32 - 10	B17-F7211-00	31 - 8	B17-F8394-10	33 - 50	2PV-H3318-00	36 - 14	90109-06279	16 - 2		19 - 6
50C-F5866-00	32 - 6	50C-F7222-00	32 - 4	B17-F8394-20	33 - 50	2ND-H3320-00	36 - 3	90109-06577	30 - 13		19 - 11
5TL-F5867-11	30 - 11	B17-F7311-00	31 - 10	B17-F8394-30	33 - 50	2ND-H3330-00	36 - 6	90109-06827	40 - 6		29 - 7
2ND-F5870-00	30 - 5	B17-F7411-00	31 - 14	B17-F8395-00	33 - 31	2ND-H3333-00	36 - 9	90109-08034	31 - 11		29 - 12

NUMERICAL INDEX

PART NO.	REF. NO.	PART NO.	REF. NO.	PART NO.	REF. NO.	PART NO.	REF. NO.	PART NO.	REF. NO.	PART NO.	REF. NO.
90183-05807	29 - 14	90387-09801	33 - 34	90506-35806	31 - 5	93210-09806	4 - 3	95022-06010	4 - 10	95812-08040	9 - 8
	33 - 4	90387-10277	25 - 7	90508-183B9	31 - 19	93210-148F8	11 - 6		14 - 28	95822-06010	19 - 26
	33 - 6	90387-15810	2 - 23		31 - 25	93210-15620	32 - 7	95022-06012	5 - 12	95822-06016	6 - 11
	33 - 11	90387-15830	27 - 19	90508-32837	16 - 5	93210-19809	5 - 15		7 - 14		18 - 13
	33 - 37	90387-17804	14 - 13	90520-02813	17 - 10	93210-198F9	11 - 17	95022-06016	11 - 9	95822-06020	24 - 10
	33 - 41	90401-10812	30 - 2	90520-03825	29 - 8	93210-21801	42 - 4	95022-06020	1 - 9	95822-06025	19 - 18
	39 - 5		32 - 27	90520-05816	29 - 20	93210-26805	35 - 6		6 - 3	95827-08016	31 - 15
90185-10011	29 - 3	90430-06014	1 - 5	90520-10829	29 - 16	93210-34802	7 - 6		7 - 10	95827-10035	28 - 4
90185-10091	25 - 9		1 - 10	90520-15808	29 - 18	93210-54805	7 - 12		8 - 5	97002-06016	41 - 2
90201-06880	6 - 12		1 - 22	90560-10292	25 - 2	93210-84804	5 - 6	95022-06025	4 - 19	97602-04312	30 - 17
90201-08083	32 - 24	90430-10802	42 - 7	91312-05010	23 - 12	93306-000Y3	5 - 10		5 - 11	97702-40014	19 - 5
90201-08612	9 - 7	90445-09823	19 - 28	91312-06014	42 - 10	93306-001X6	4 - 5		5 - 13		19 - 10
90201-086P8	31 - 36	90450-27806	6 - 14	91312-06016	34 - 4	93306-003YN	14 - 23	95022-06040	10 - 7		33 - 16
	31 - 45		6 - 16	91312-06025	34 - 3	93306-004XV	27 - 9		11 - 4		33 - 22
90201-08730	9 - 9	90450-39805	8 - 33	91312-06100	1 - 18	93306-054XB	14 - 7		11 - 13		33 - 29
90201-08859	1 - 13	90450-48803	8 - 15	91312-08020	16 - 11	93306-204YS	14 - 24	95022-06045	10 - 4		33 - 36
90201-10118	30 - 3	90464-07805	21 - 16	91317-06020	40 - 9	93306-252X7	27 - 3	95022-06050	5 - 14		36 - 5
	32 - 28	90464-16012	20 - 8	91317-06025	30 - 16	93306-252XY	2 - 24		11 - 14	97702-50016	29 - 6
90201-101J1	25 - 10	90464-34002	41 - 14	91317-08016	32 - 22	93306-252YL	14 - 8	95022-06055	10 - 3		29 - 10
90201-105E8	12 - 4	90464-50800	41 - 15	91317-08020	32 - 21	93306-253YB	2 - 25	95022-06070	10 - 5		37 - 2
90201-12019	13 - 3	90464-54086	18 - 4	91317-08025	31 - 35	93306-300YL	25 - 4	95022-06080	7 - 11		38 - 11
	34 - 6	90467-08003	19 - 29		31 - 44	93306-305XP	2 - 8	95022-06090	11 - 19	98502-05010	24 - 8
90201-14811	31 - 6	90467-09006	19 - 31	91401-20012	32 - 25	93306-305XR	2 - 9	95301-08700	32 - 3	98502-05014	31 - 18
90201-15030	27 - 18	90467-10805	6 - 18	91401-25015	31 - 21	93306-906Y4	4 - 2	95302-06600	27 - 23		31 - 24
90201-15821	2 - 17	90467-12085	32 - 12		31 - 27	93310-325X3	12 - 7	95307-08700	31 - 12	98502-05016	42 - 5
90201-173F4	14 - 22	90467-12800	8 - 24		31 - 33	93310-528YK	2 - 4	95602-06100	22 - 24	98502-05025	7 - 2
90201-20814	14 - 21	90467-13064	8 - 31		31 - 42	93315-112Y9	13 - 24		22 - 28	98502-06012	24 - 6
90201-25290	12 - 8	90467-13858	8 - 32	91401-30030	31 - 4	93410-20038	14 - 4		30 - 14	98507-05025	29 - 30
90208-20003	13 - 27	90467-20804	8 - 26		31 - 7	93410-22039	14 - 16	95602-08200	27 - 12	98507-06025	32 - 19
90209-17285	14 - 3	90467-22801	8 - 28	91701-08035	31 - 20	93450-16115	2 - 13	95602-10200	20 - 11	98512-06012	14 - 10
90209-18208	14 - 15	90480-01559	17 - 7		31 - 26	93501-04823	31 - 32	95602-14200	27 - 17	98907-04014	39 - 13
90214-10800	2 - 18	90480-10003	39 - 6	91701-08042	31 - 30		31 - 41	95607-06100	40 - 7	99002-10600	16 - 6
90215-10284	2 - 27	90480-13001	39 - 4		31 - 39	93505-16844	13 - 23	95607-06200	18 - 12	99009-10400	12 - 5
90240-08124	32 - 23	90480-13018	19 - 20	91810-14809	1 - 16	93604-08800	2 - 20	95612-08630	1 - 6	99009-20500	13 - 26
90269-06816	18 - 9	90480-15808	6 - 10		1 - 17	93605-06800	4 - 4	95614-12100	20 - 5		
	19 - 7	90480-18418	33 - 19		10 - 2	93608-30839	16 - 7	95702-06500	42 - 13		
	19 - 12		33 - 33		11 - 3	93822-14800	14 - 26	95702-08500	9 - 6		
	33 - 7	90480-18810	23 - 4		11 - 12	93900-00817	25 - 6	95702-12500	34 - 5		
90280-03017	2 - 10	90480-18811	23 - 5	92012-05012	29 - 26		27 - 15	95802-06012	17 - 3		
90282-05031	2 - 26	90501-030A0	12 - 12	92902-06600	27 - 22	94107-17856	25 - 5		17 - 9		
90338-30802	12 - 1	90501-06022	15 - 3	93101-10843	11 - 18	94107-17870	25 - 5		21 - 9		
90340-12813	1 - 3	90501-06800	15 - 8	93102-12862	13 - 25	94112-17804	27 - 14		21 - 11		
90340-14816	11 - 5	90501-12743	31 - 31	93102-12891	16 - 8	94112-17809	27 - 14		21 - 13		
90387-06144	19 - 19		31 - 40	93102-20892	14 - 25	94568-D6122	27 - 25		21 - 15		
90387-068C2	39 - 3	90501-16800	2 - 19	93103-10801	5 - 2	94568-H4096	4 - 11		22 - 25		
90387-08812	31 - 47	90501-18576	7 - 5	93106-20816	25 - 3	94700-00330	1 - 14		42 - 19		
90387-08835	23 - 3	90506-20041	31 - 9	93106-22808	27 - 5	95022-06010	1 - 4	95802-06030	23 - 2		
90387-09801	33 - 20	90506-23809	31 - 13	93106-26815	27 - 8		1 - 21	95812-06030	8 - 12		